

US00D906585S

(12) **United States Design Patent**  
**Jennes**

(10) **Patent No.:** **US D906,585 S**

(45) **Date of Patent:** **\*\* Dec. 29, 2020**

(54) **ILLUMINABLE BEZEL FOR A VEHICLE HEADLAMP**

D494,706 S \* 8/2004 Tsai ..... D26/139  
D717,993 S \* 11/2014 Platto ..... D26/139  
D762,324 S \* 7/2016 Egly ..... D26/139

(71) Applicant: **Nikola Corporation**, Phoenix, AZ (US)

(72) Inventor: **Stephen Jennes**, Glendale, AZ (US)

(73) Assignee: **Nikola Corporation**, Phoenix, AZ (US)

(\*\*) Term: **15 Years**

(21) Appl. No.: **29/690,178**

(22) Filed: **May 6, 2019**

(51) **LOC (12) Cl.** ..... **26-99**

(52) **U.S. Cl.**  
USPC ..... **D26/139**

(58) **Field of Classification Search**  
USPC ..... D26/28-36, 139  
CPC ..... F21S 48/00; F21S 48/10; F21S 48/115;  
F21S 48/225; F21S 48/1233; F21S  
48/1266; F21S 48/1388; F21S 48/2268;  
F21V 21/04; F21V 29/004; B60Q 9/13;  
B60Q 9/135; B60Q 9/1375  
See application file for complete search history.

(56) **References Cited**

**U.S. PATENT DOCUMENTS**

D485,936 S \* 1/2004 Tsai ..... D26/139  
D487,819 S \* 3/2004 Tsai ..... D26/139

**OTHER PUBLICATIONS**

AU; Office Action in the Australian Design No. 201916210 dated Dec. 6, 2019.  
AU; Notice of Grant in the Australian Design No. 201916210 dated Jan. 31, 2020.  
AU; Notice of Grant in the Australian Design No. 202010562 dated Mar. 13, 2020.

\* cited by examiner

*Primary Examiner* — Marcus A Jackson  
(74) *Attorney, Agent, or Firm* — Snell & Wilmer L.L.P.

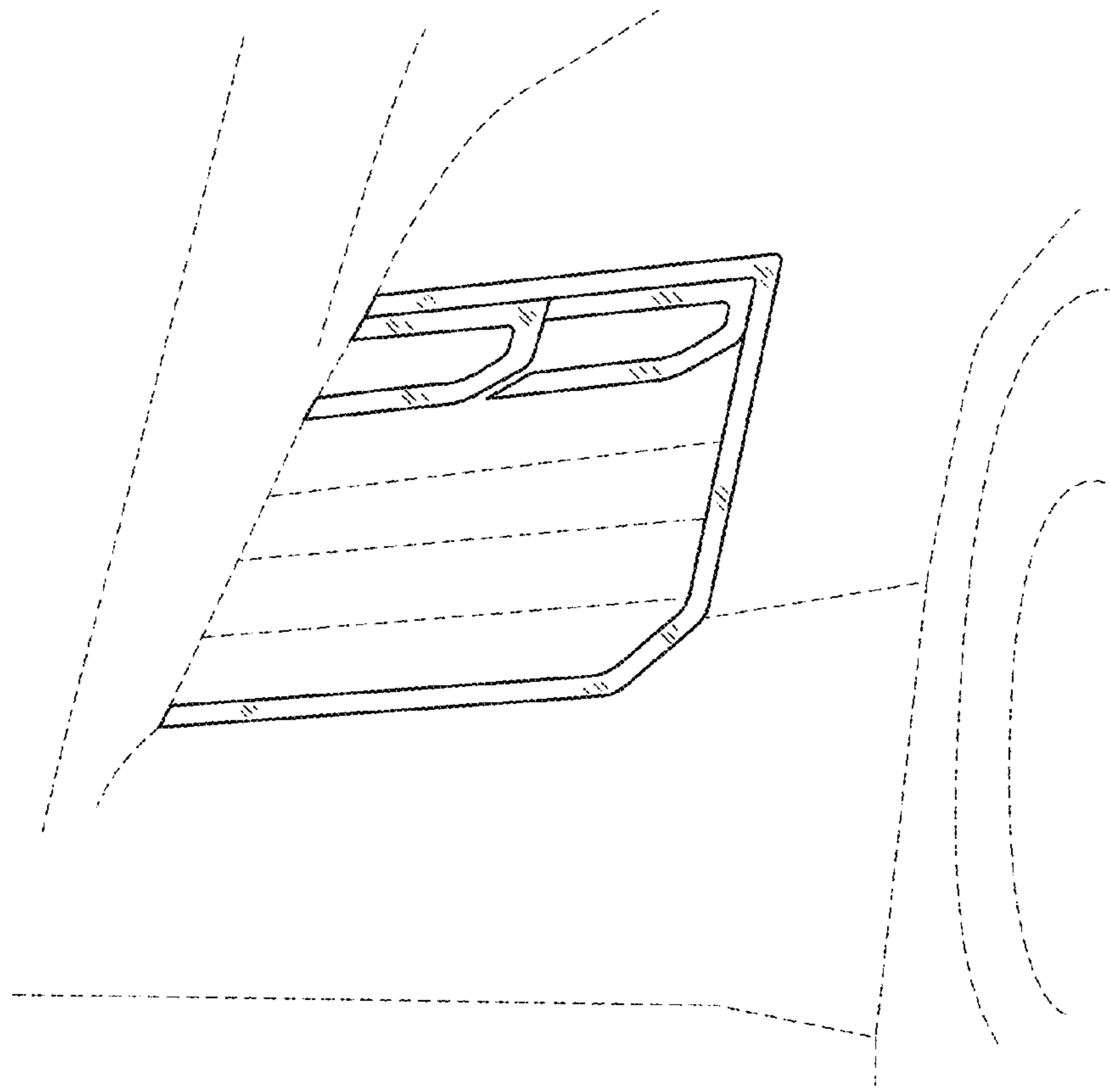
(57) **CLAIM**

The ornamental design of an illuminable bezel for a vehicle headlamp, as shown and described.

**DESCRIPTION**

FIG. 1 is a perspective view of an illuminable bezel for a vehicle headlamp showing an embodiment of the new design;  
FIG. 2 is a perspective view of the embodiment illustrated in FIG. 1; and,  
FIG. 3 is a front view of the embodiment illustrated in FIG. 1.

**1 Claim, 3 Drawing Sheets**



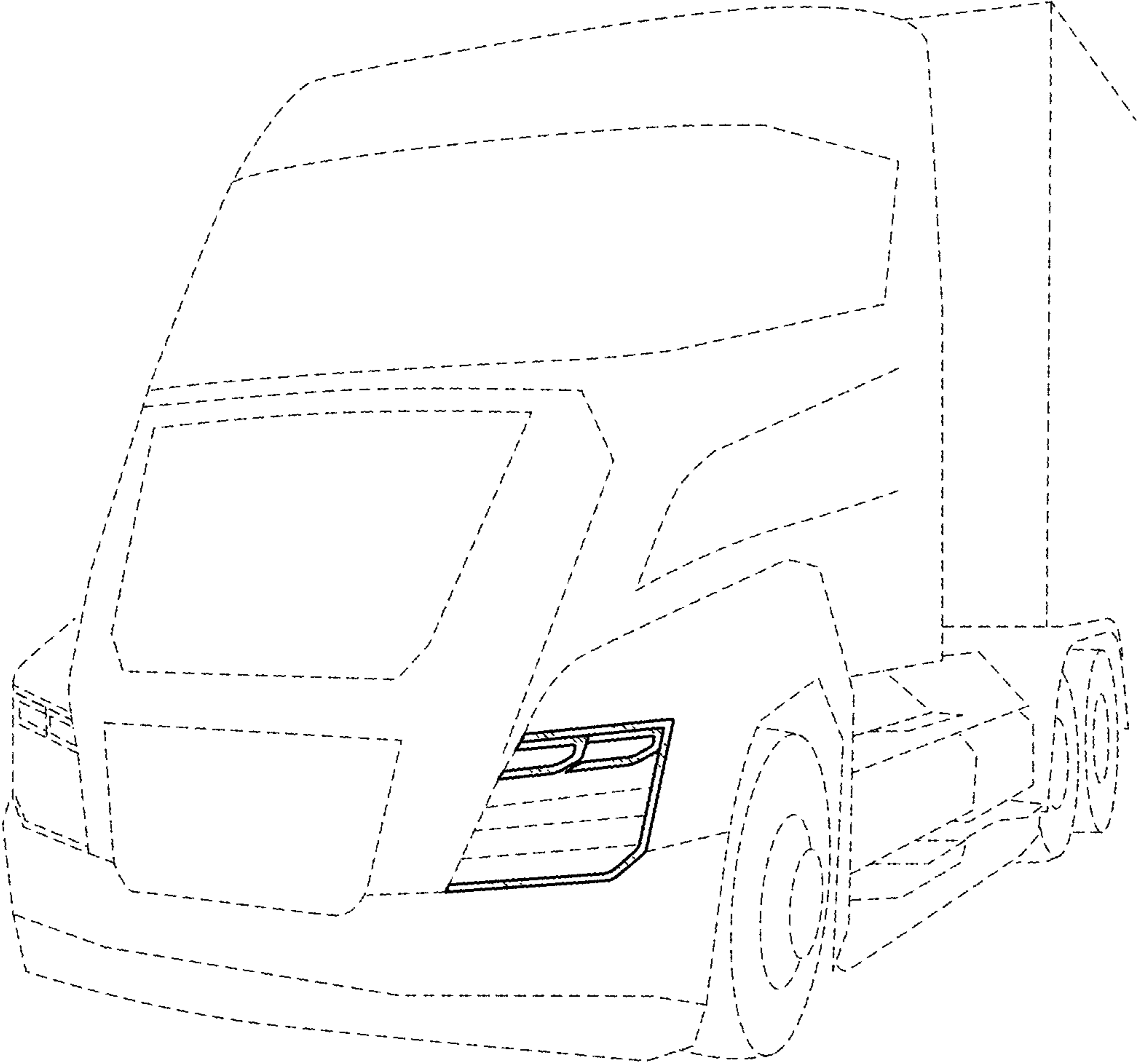


FIG.1

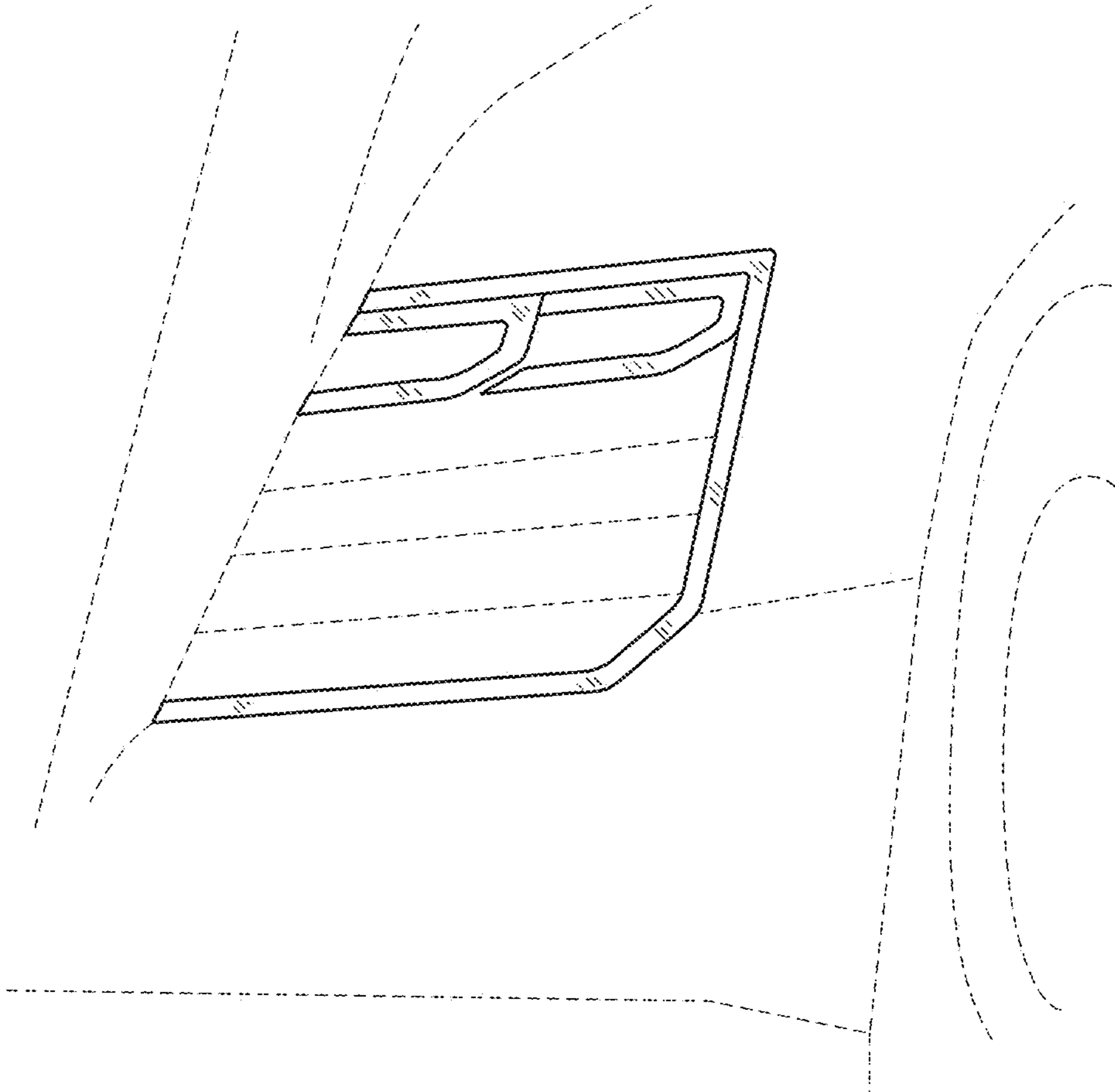


FIG.2

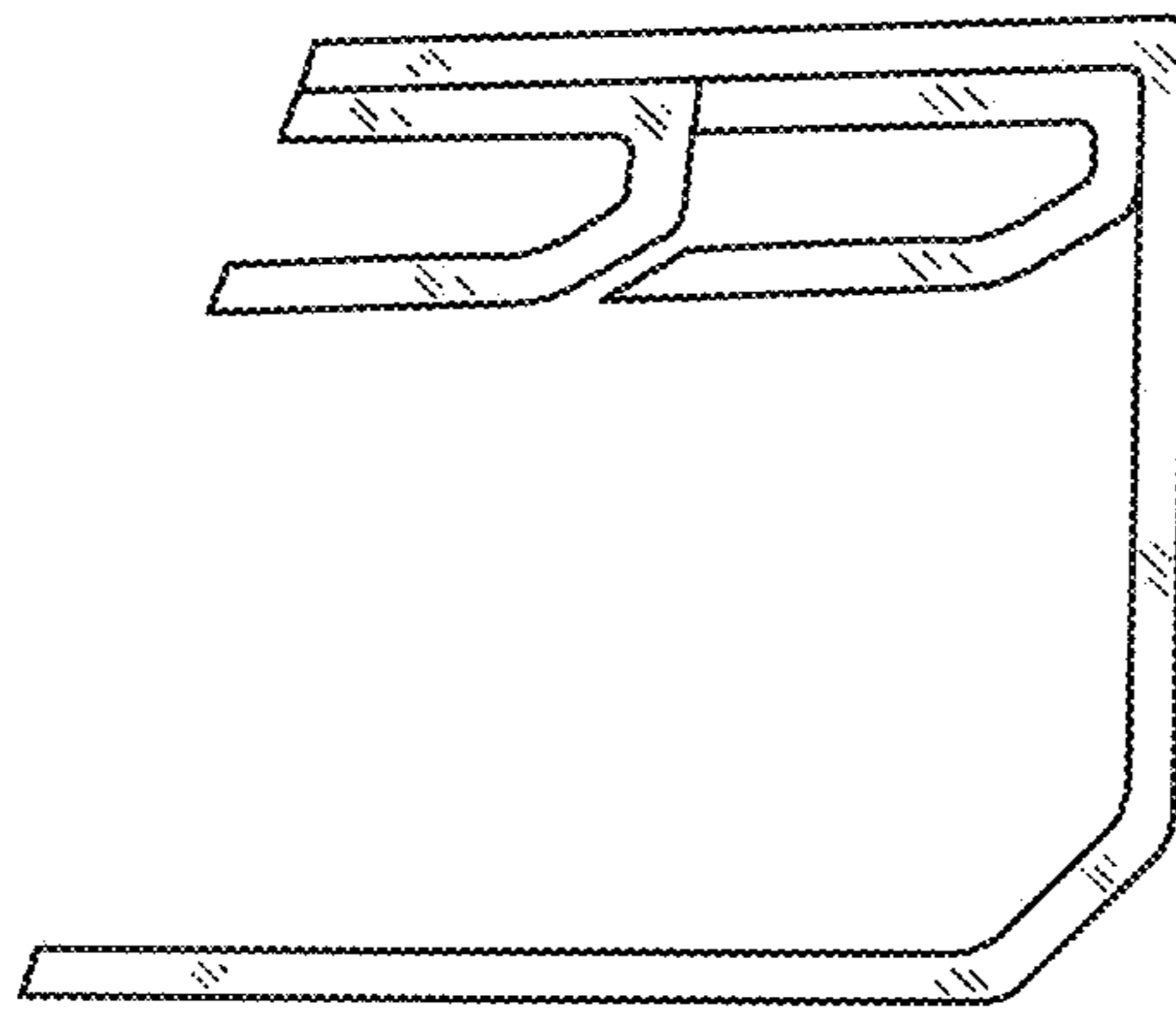


FIG.3