



US00D906584S

(12) **United States Design Patent** (10) **Patent No.:** **US D906,584 S**  
**Moses et al.** (45) **Date of Patent:** **\*\* \*Dec. 29, 2020**

(54) **SEGMENTED LIGHT FIXTURE WITH WALL MOUNT**

(71) Applicant: **USAI, LLC**, New Windsor, NY (US)

(72) Inventors: **Eran Moses**, New Windsor, NY (US);  
**John P. Harkins-Fleischmann**,  
Bloomington, NJ (US); **Yorgo**  
**Lykouria**, London (GB); **Thomas**  
**Adam Kaczowski**, University City,  
MO (US)

(73) Assignee: **USAI, LLC**, New Windsor, NY (US)

(\*) Notice: This patent is subject to a terminal disclaimer.

(\*\*) Term: **15 Years**

(21) Appl. No.: **29/711,506**

(22) Filed: **Oct. 31, 2019**

(51) **LOC (12) Cl.** ..... **26-05**

(52) **U.S. Cl.**  
USPC ..... **D26/138; D26/88**

(58) **Field of Classification Search**  
USPC ..... D26/61, 72, 74, 76, 78-83, 85, 86, 88,  
D26/90, 93, 111, 113, 118, 119, 120, 121,  
D26/122, 138, 139, 140, 141, 142, 152  
CPC ..... F21S 2/00; F21S 4/00; F21S 4/003; F21S  
4/005; F21S 4/006; F21S 4/007; F21S  
4/008; F21S 6/00; F21S 8/00; F21S  
8/024; F21S 8/026; F21S 8/031; F21S  
8/033; F21S 8/035-037; F21S 8/04; F21S  
8/043; F21S 8/063

See application file for complete search history.

(56) **References Cited**

**U.S. PATENT DOCUMENTS**

D565,787 S \* 4/2008 DeCicco ..... D26/138  
D621,083 S \* 8/2010 Coushaine ..... D26/61

(Continued)

**OTHER PUBLICATIONS**

Bonou, Chandelier Ceiling Pendant Light, <https://www.ebay.com.au/itm/163039675072>, retrieved from the Internet on Jul. 31, 2019.

(Continued)

*Primary Examiner* — Natasha Vujcic  
(74) *Attorney, Agent, or Firm* — St. Onge Steward  
Johnston & Reens LLC

(57) **CLAIM**

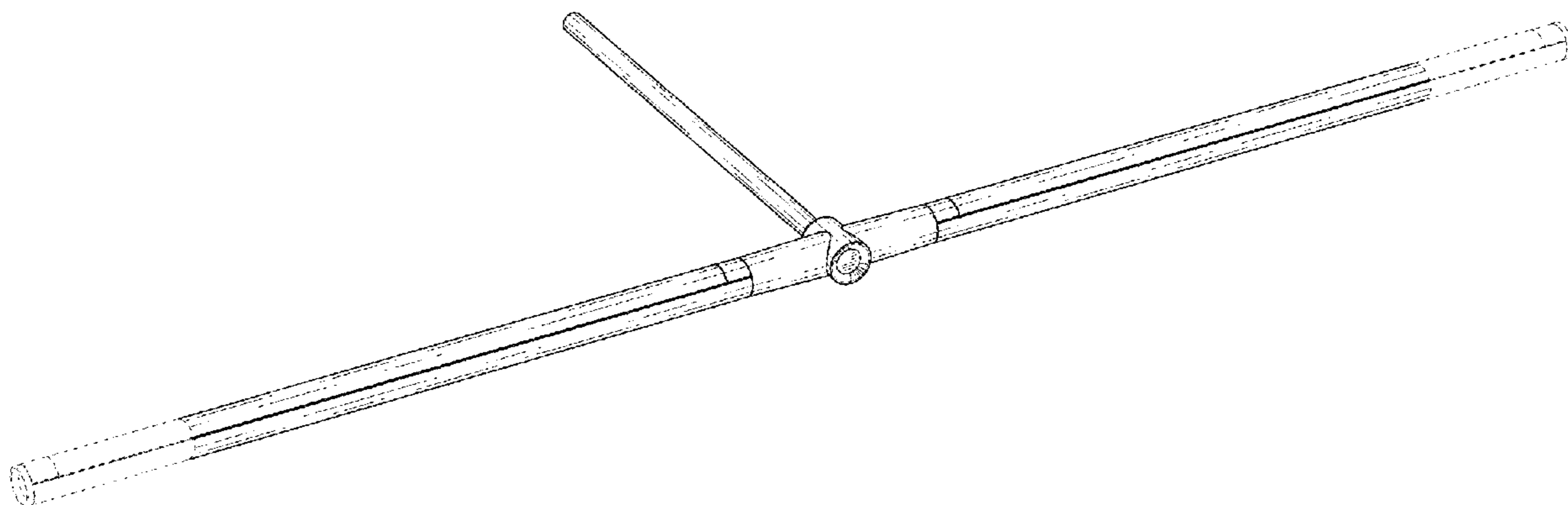
The ornamental design for a segmented light fixture with wall mount, as shown and described.

**DESCRIPTION**

FIG. 1 is a perspective view, from the top, of a first embodiment of a segmented light fixture with wall mount in accordance with the new design;  
FIG. 2 is a front view thereof;  
FIG. 3. Is a rear view thereof;  
FIG. 4 is a left side view thereof, with the right side being a mirror image;  
FIG. 5 top view thereof;  
FIG. 6 is a bottom thereof.  
FIG. 7 is a perspective view, from the top, of the wall mount of the segmented light fixture in Embodiment 1 in accordance with the new design;  
FIG. 8 is a perspective view thereof, from the top;  
FIG. 9 is a perspective view thereof, from the bottom;  
FIG. 10 is a front view thereof;  
FIG. 11 is a rear view thereof;  
FIG. 12 is a top view thereof, with the bottom being a mirror image; and,  
FIG. 13 is a right side view thereof, with the left side being a mirror image.

The broken lines shown in the drawings are for the purpose of illustrating portions of the segmented light fixture with wall mount that form no part of the claimed design.

**1 Claim, 8 Drawing Sheets**



(56)

References Cited

U.S. PATENT DOCUMENTS

D626,264 S *	10/2010	Liu .....	D26/61
D636,514 S *	4/2011	Ruud .....	D26/61
D642,730 S *	8/2011	Leadford .....	D26/138
D657,489 S *	4/2012	Johnstone .....	D26/138
D657,905 S *	4/2012	Yu .....	F21S 8/06 D26/138
D657,906 S *	4/2012	Yu .....	D26/138
D669,629 S *	10/2012	Yu .....	F21S 8/06 D26/155
D669,630 S *	10/2012	Yu .....	D26/155
D689,647 S *	9/2013	Brott .....	D26/86
D756,558 S *	5/2016	Paulsen .....	D26/142
D788,358 S *	5/2017	Sonneman .....	D26/138
D831,257 S *	10/2018	Boulanger .....	D26/76
D840,086 S *	2/2019	Deng .....	D26/76
D851,805 S *	6/2019	Chen .....	D26/76
D858,853 S *	9/2019	Anastasiades .....	D26/76
D865,260 S *	10/2019	Arola .....	D26/76
D866,045 S *	11/2019	Anastasiades .....	D26/88
D866,047 S *	11/2019	Anastasiades .....	D26/88
D869,745 S *	12/2019	Sonneman .....	D26/138

OTHER PUBLICATIONS

Benedict Hobson, "OMA draws on the 'fundamentals of geometry' for XY180 lights", Dezeen, <https://www.dezeen.com/2018/04/11/video-interview-ippolito-pestellini-laparelli-oma-xy180-delta-light-movie/>, Apr. 11, 2018.

Juniper, "Thin Task Lamp T with Wall Mount", [www.juniper-design.com](http://www.juniper-design.com), <https://www.juniper-design.com/products/thin-task-lamp-wall-mount/>, 2019.

Seed Design, "Laito Gentle", Seed Lighting Design Co., Ltd., [www.SeedDesignUSA.com](http://www.SeedDesignUSA.com), 2018.

Medical Illumination, "Installation and Service Manual", 37 pages, undated.

Greenhouse Megastore, "PVC Adjustable 2-Way L", <https://www.greenhousemegastore.com/hardware-diy/pvc-fittings/pvc-adjustable-2-way-l>, retrieved from the internet on Oct. 11, 2019.

Rebrilliant Rhoades, "Slip Stream LED Swing Arm Lamp", [www.wayfair.com](http://www.wayfair.com), <https://www.wayfair.com/lighting/pdp/rebrilliant-rhoades-slip-stream-led-swing-arm-lamp-w001019352.html>, retrieved from internet on Jul. 31, 2019.

Stickbulb, "Multiple Pendant" Lamp, <https://www.architonic.com/en/product/stickbulb-multiple-pendant/1425152>, retrieved from the internet on Jul. 31, 2019.

\* cited by examiner

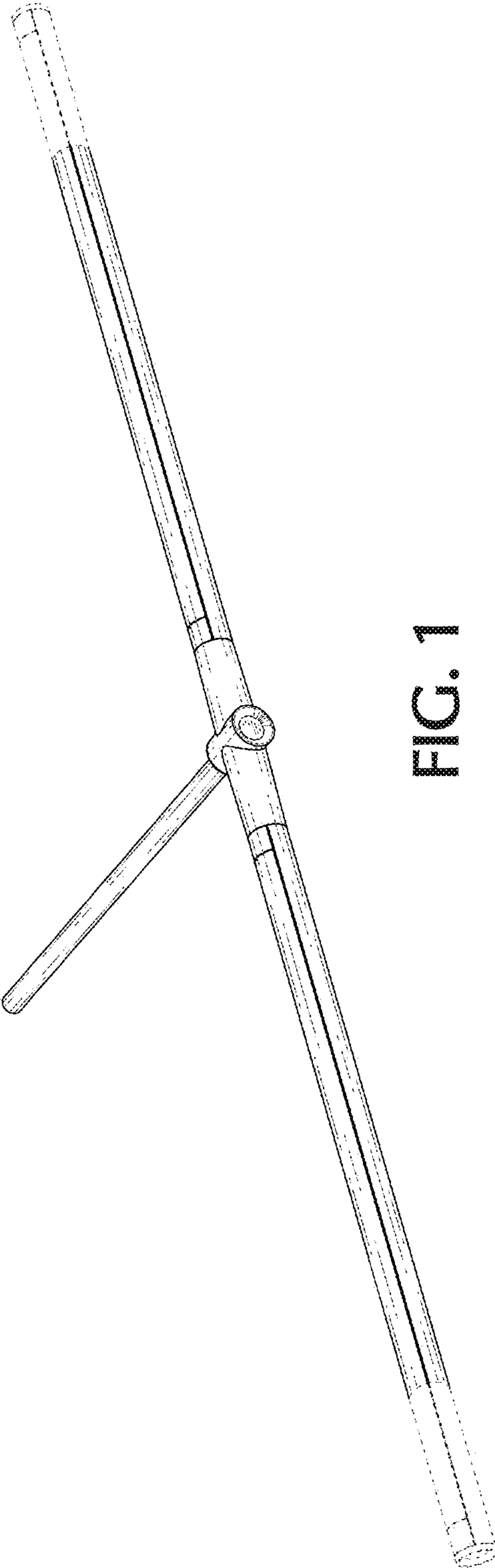


FIG. 1



FIG. 2



FIG. 3

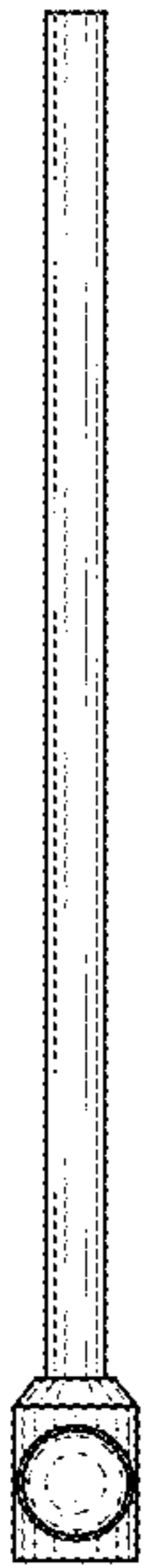


FIG. 4

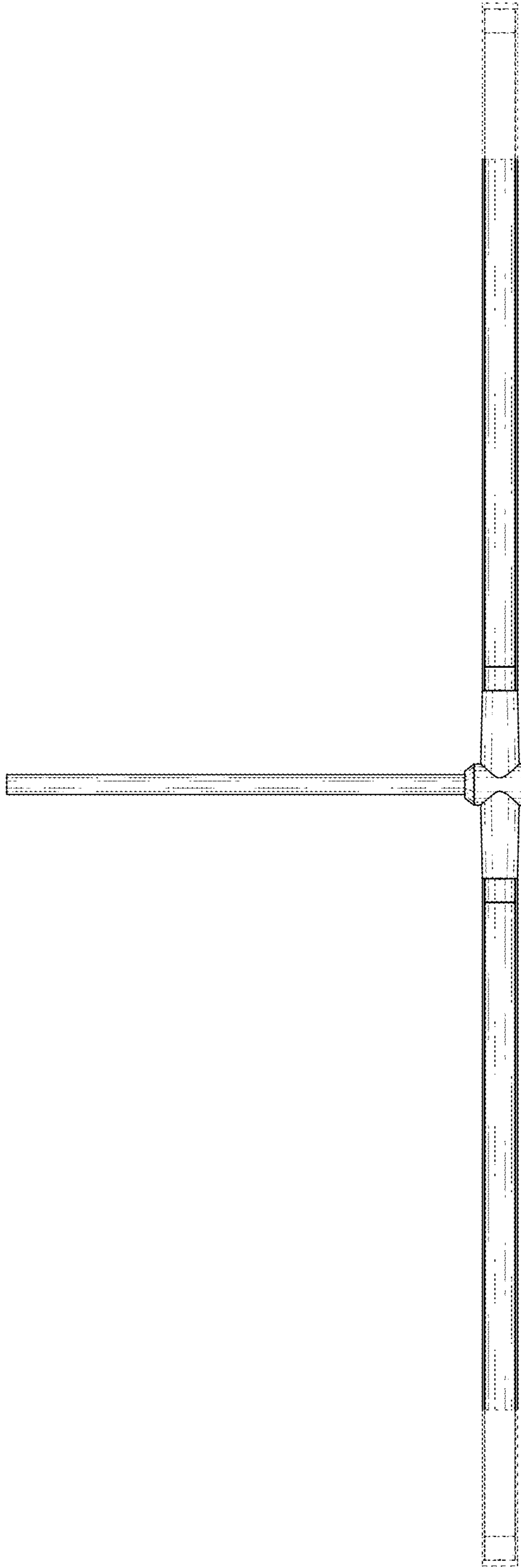


FIG. 5

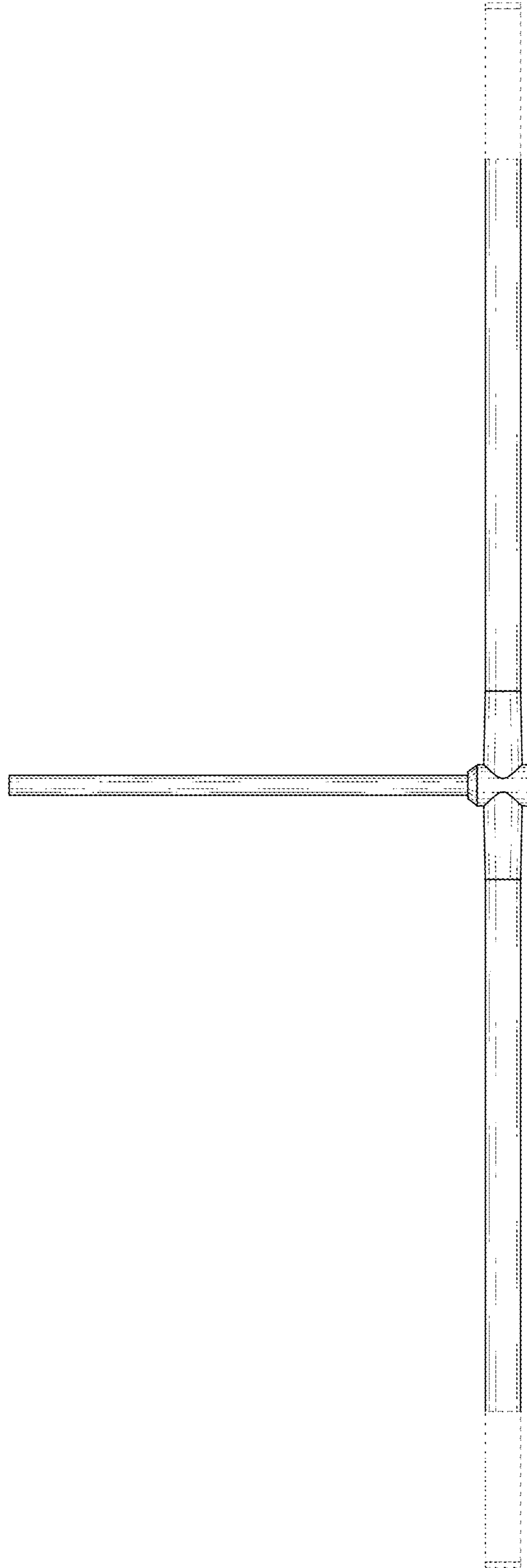


FIG. 6

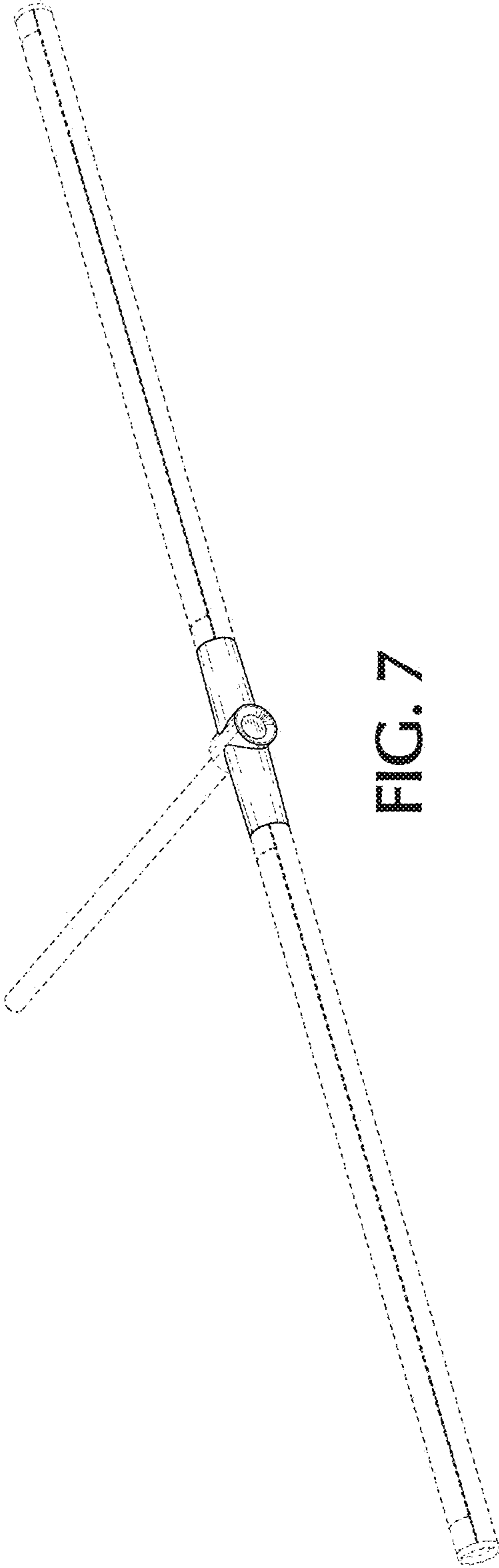
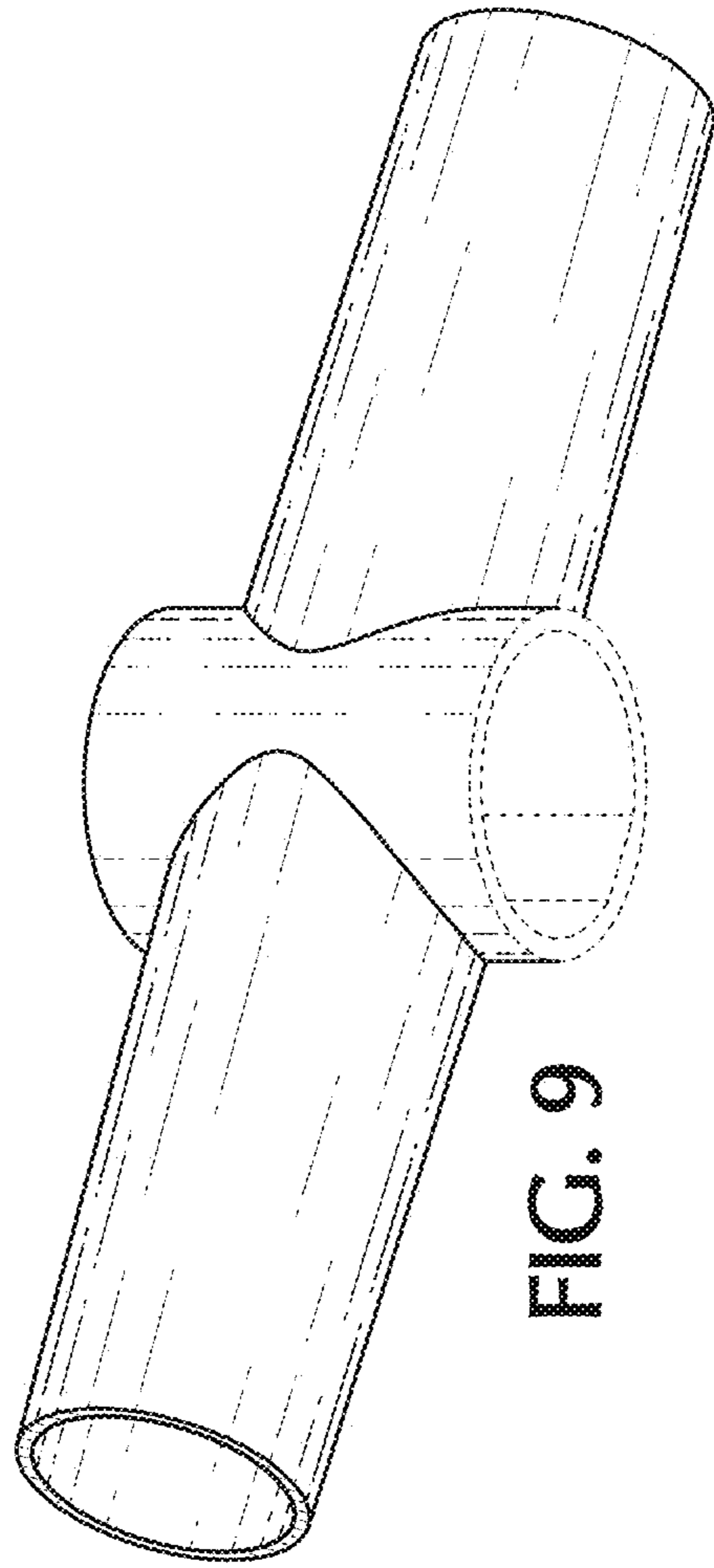
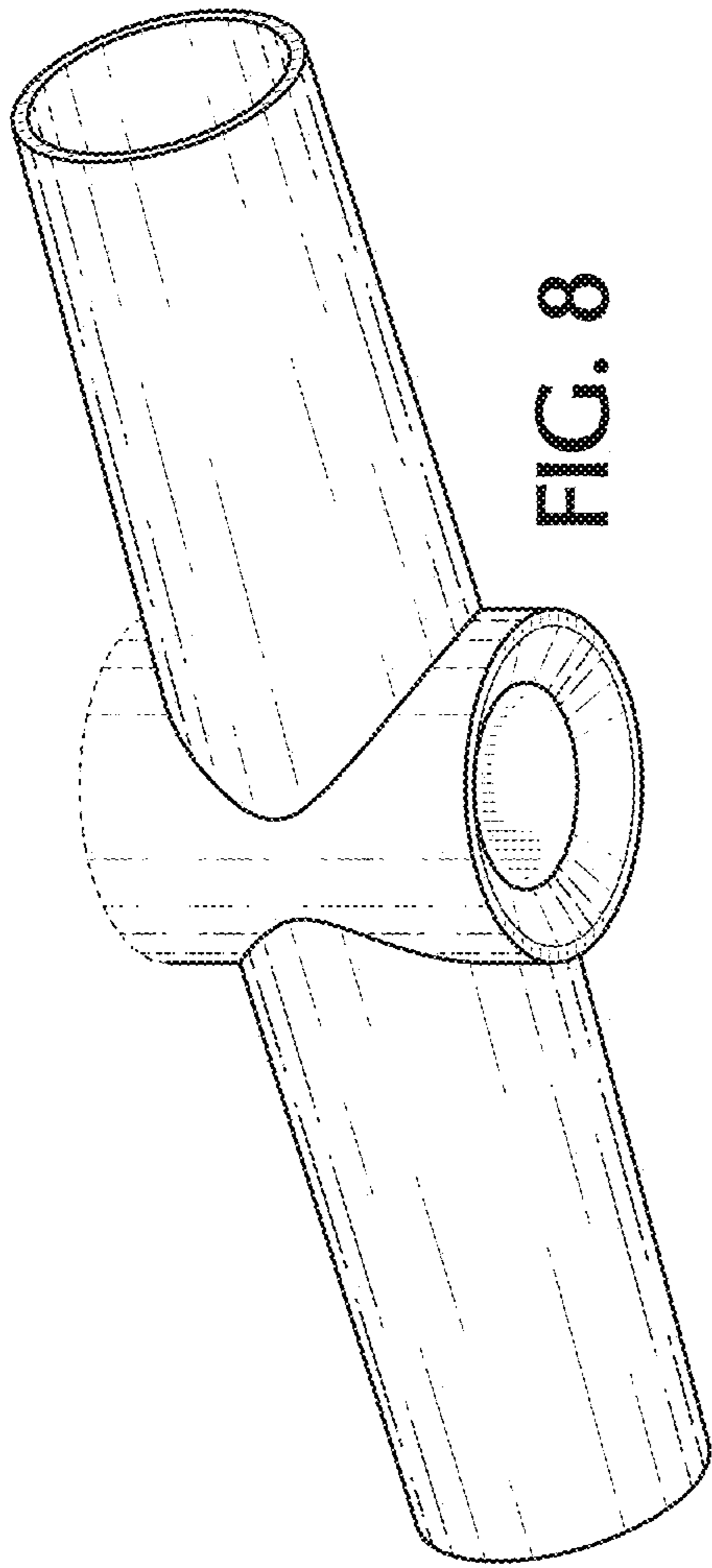


FIG. 7





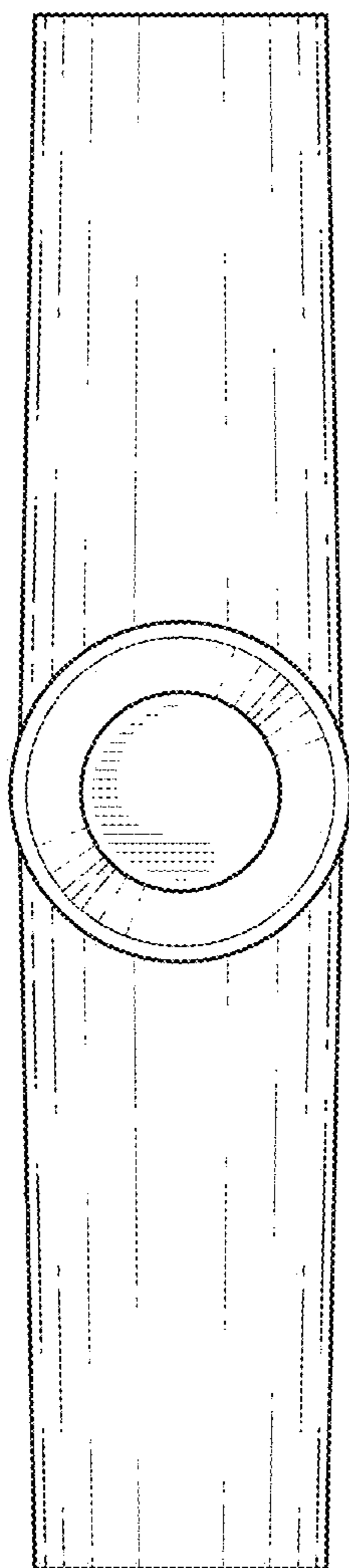


FIG. 10

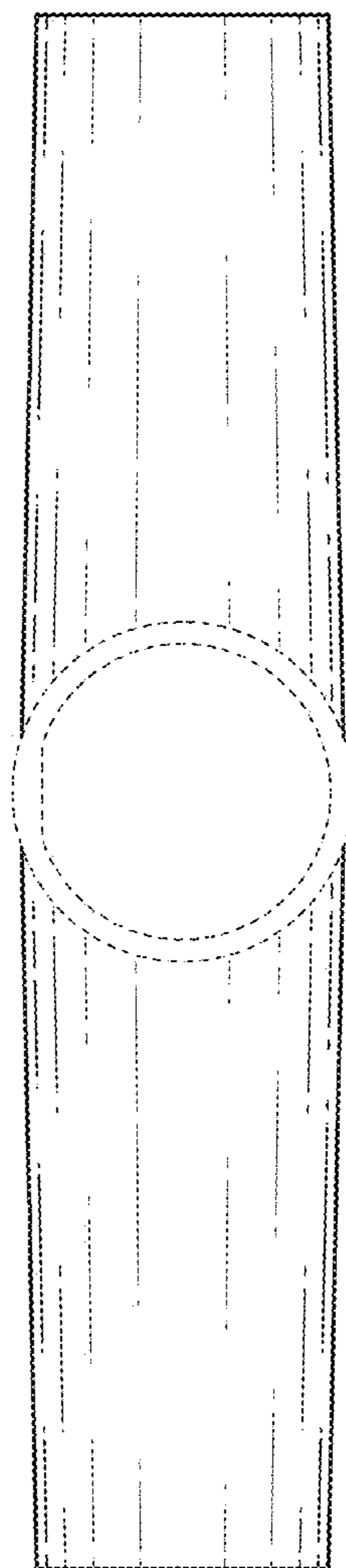


FIG. 11

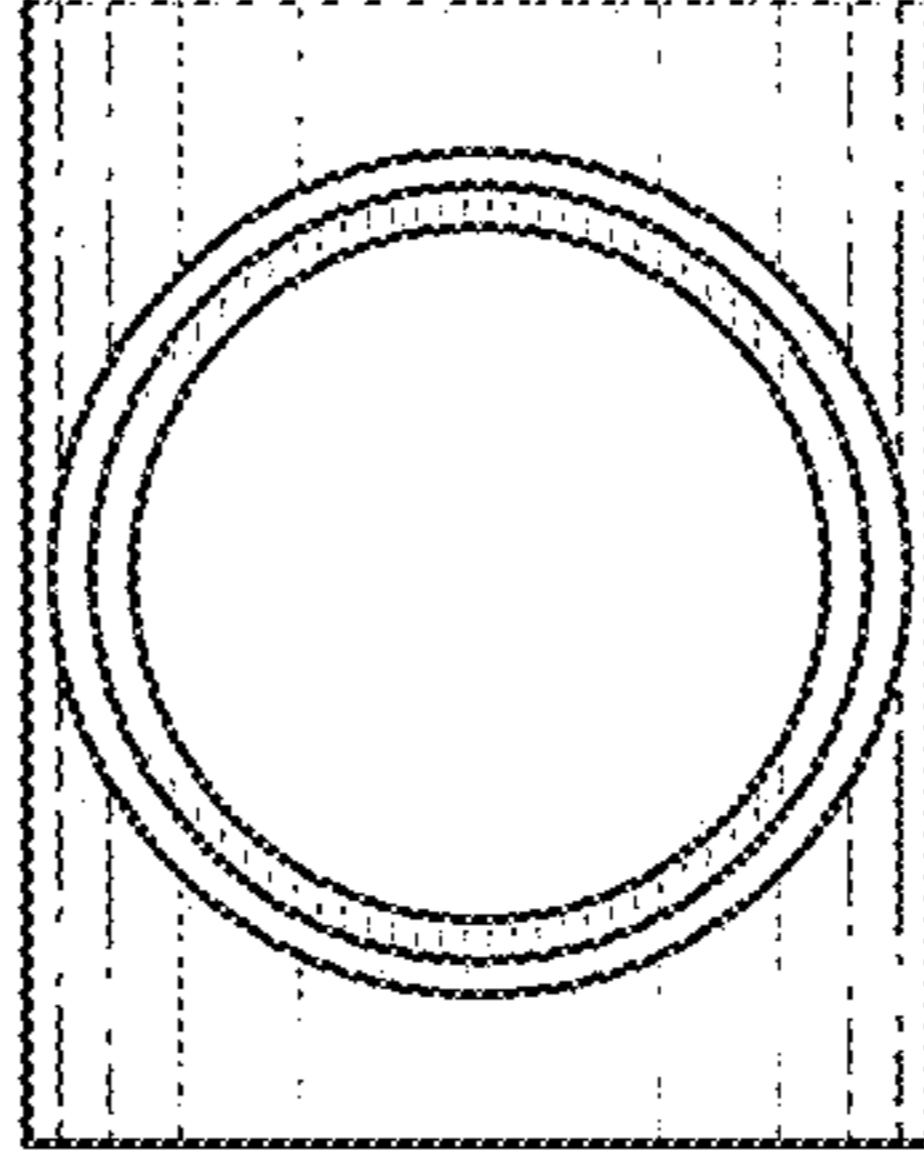


FIG. 13

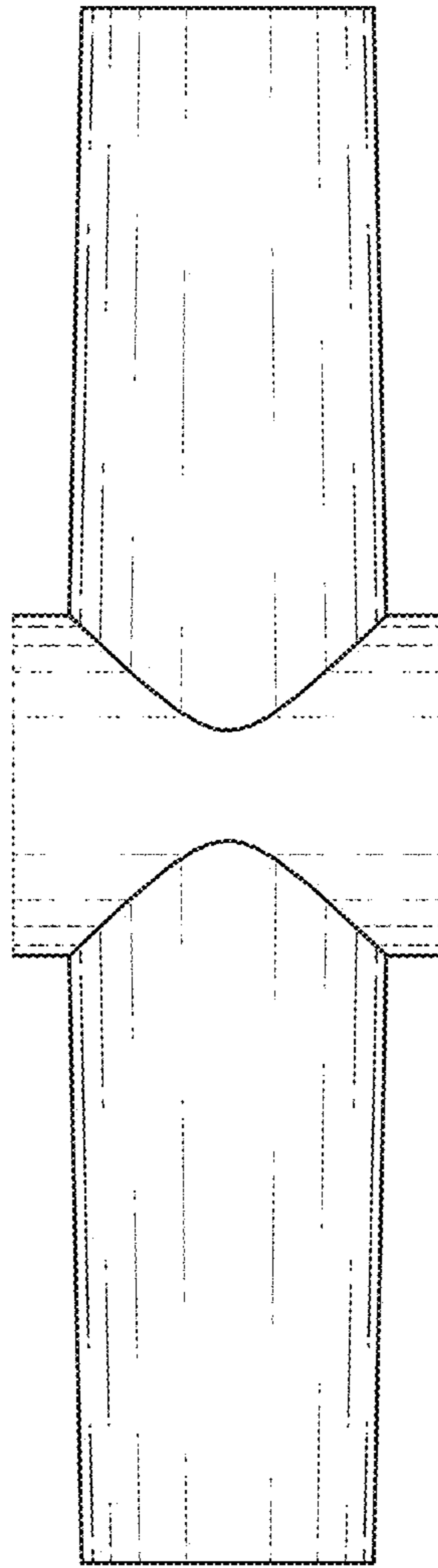


FIG. 12