



US00D906583S

(12) **United States Design Patent** (10) **Patent No.:** **US D906,583 S**
Stassar (45) **Date of Patent:** **** Dec. 29, 2020**

(54) **COVER PLATE**
(71) Applicant: **Lumileds LLC**, San Jose, CA (US)
(72) Inventor: **Emanuel Nicolaas Hermanus Johannes Stassar**, Sprang Capelle (NL)
(73) Assignee: **Lumileds LLC**, San Jose, CA (US)
(**) Term: **15 Years**
(21) Appl. No.: **29/695,263**
(22) Filed: **Jun. 18, 2019**
(51) **LOC (12) Cl.** **26-05**
(52) **U.S. Cl.**
USPC **D26/138**
(58) **Field of Classification Search**
USPC D26/63, 72, 74, 76, 78-83, 85, 86, 88,
D26/90, 93, 111, 113, 118, 119, 120, 121,
D26/122, 138, 139, 140, 141, 142, 152
CPC F21S 2/00; F21S 4/00; F21S 4/003; F21S
4/005; F21S 4/006; F21S 4/007; F21S
4/008; F21S 6/00; F21S 8/00; F21S
8/024; F21S 8/026; F21S 8/031; F21S
8/033; F21S 8/035-037; F21S 8/04; F21S
8/043; F21S 8/063
See application file for complete search history.

D490,559 S * 5/2004 Small D26/138
D509,923 S * 9/2005 Arthur D26/139
D596,785 S * 7/2009 Laso D26/138
D604,453 S * 11/2009 Werner D26/139
D704,886 S * 5/2014 Bush D26/138
D821,025 S * 6/2018 Mizobe D26/138

* cited by examiner

Primary Examiner — Natasha Vujcic
(74) *Attorney, Agent, or Firm* — Seyfarth Shaw LLP

(57) **CLAIM**

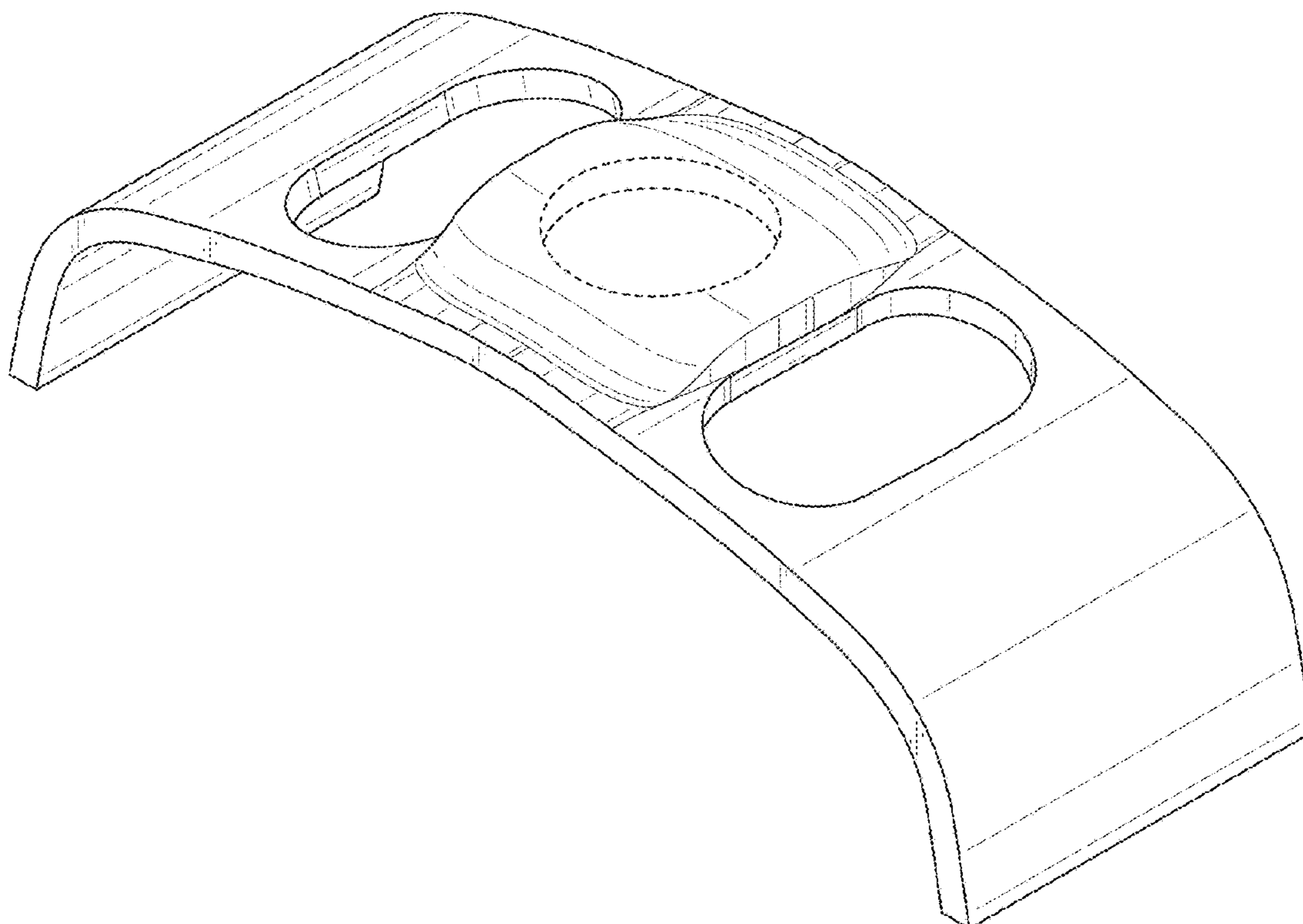
The ornamental design for a cover plate, as shown and described.

DESCRIPTION

FIG. 1 is a top perspective view of a cover plate for an optical module, showing our new invention; FIG. 2 is bottom perspective view of the cover plate of FIG. 1; FIG. 3 is a first side view of the cover plate of FIG. 1; FIG. 4 is a second side view of the cover plate of FIG. 1; FIG. 5 is a third side view of the cover plate of FIG. 1; FIG. 6 is a fourth side view of the cover plate of FIG. 1; FIG. 7 is a top view of the cover plate of FIG. 1; and, FIG. 8 is a bottom view of the cover plate of FIG. 1. The broken lines in the drawings form no part of the claimed design.

(56) **References Cited**
U.S. PATENT DOCUMENTS
D388,530 S * 12/1997 Hellhake D26/139
D485,934 S * 1/2004 Tsai D26/139

1 Claim, 7 Drawing Sheets



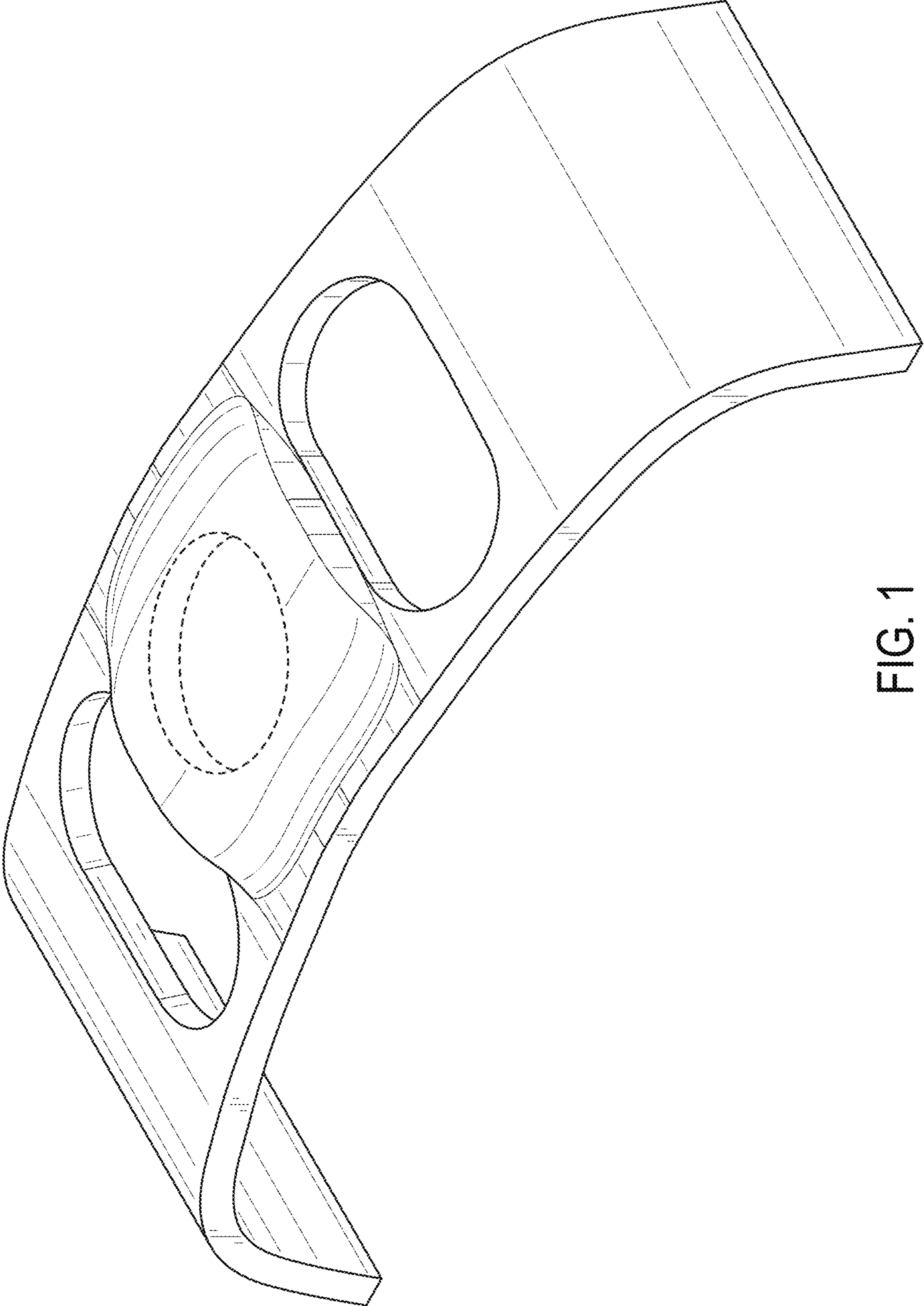


FIG. 1

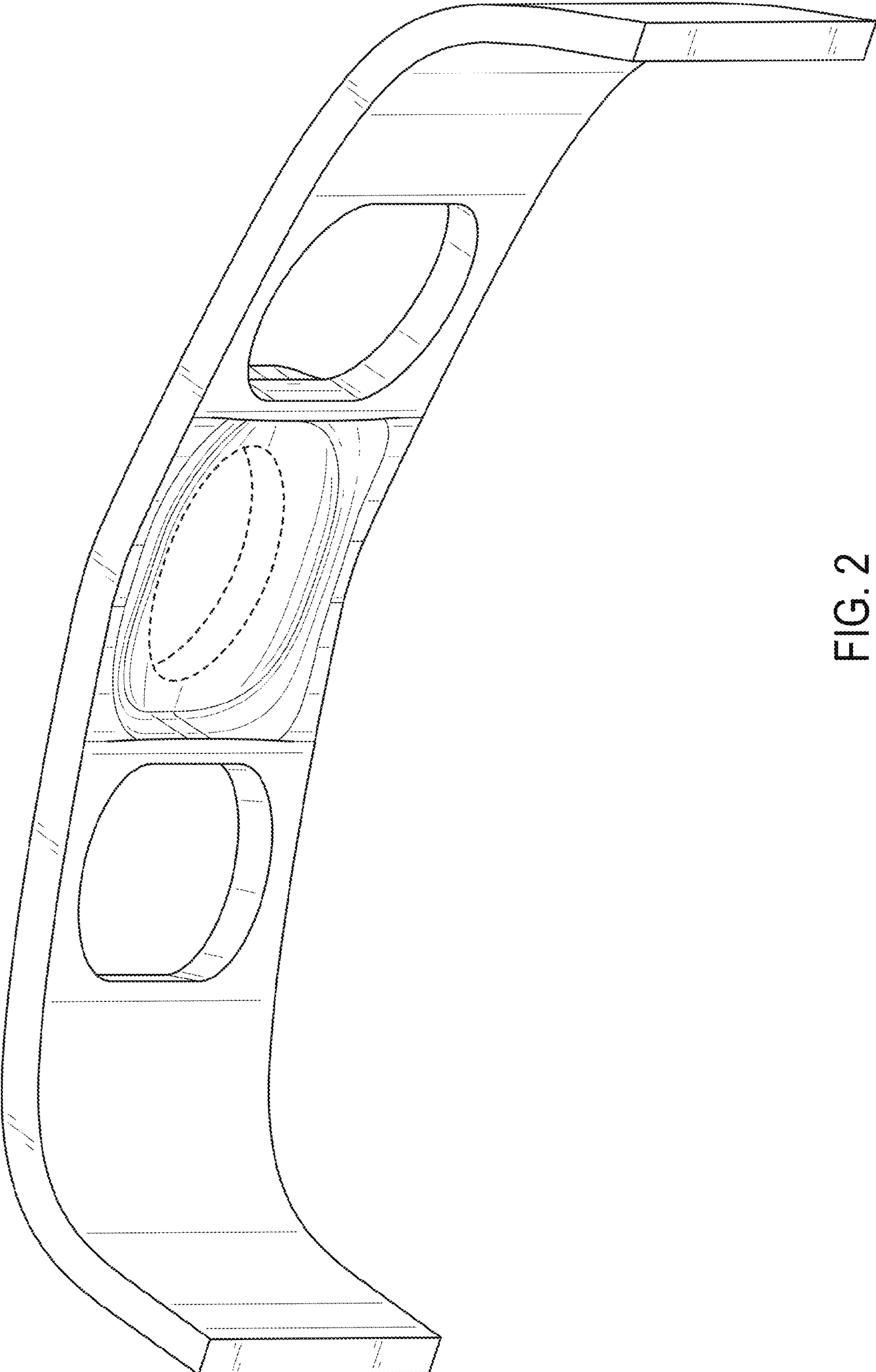


FIG. 2

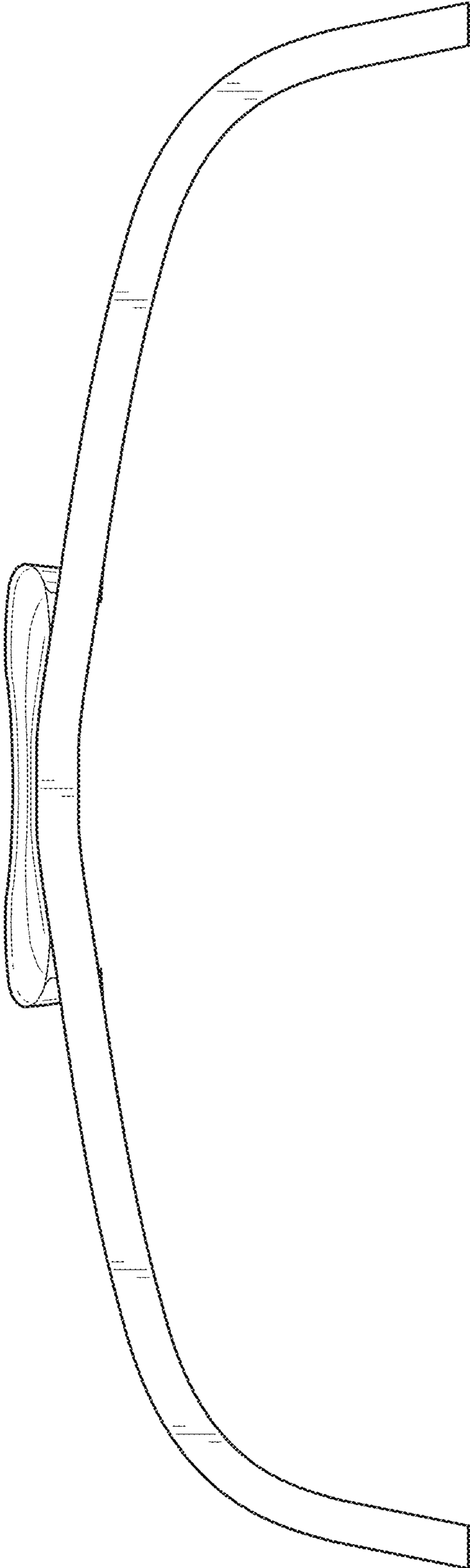


FIG. 3

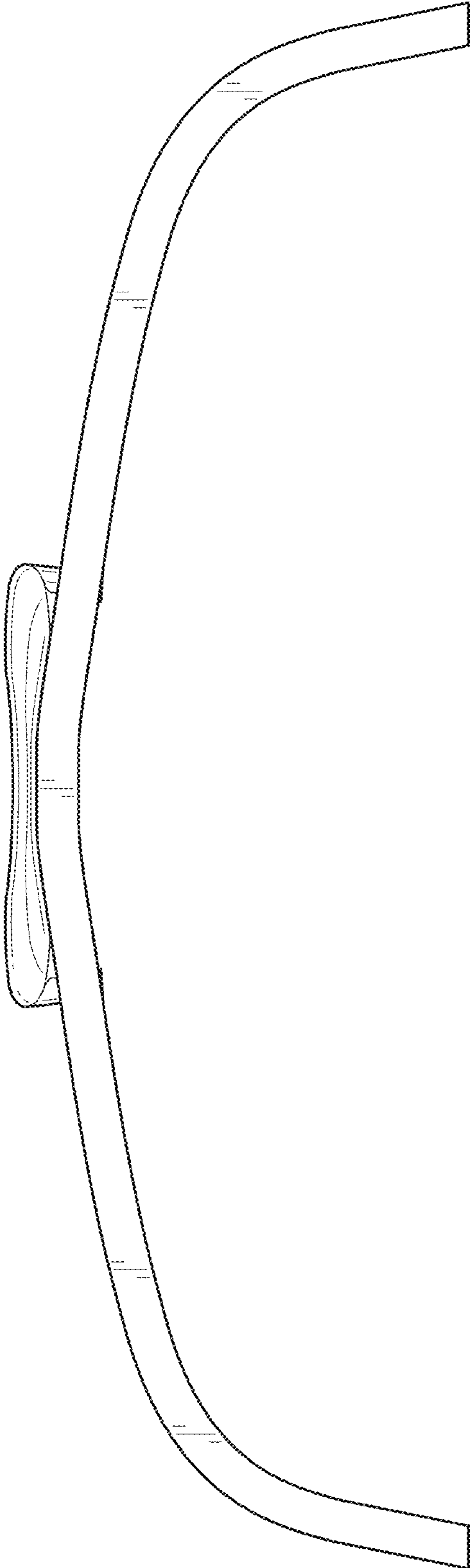


FIG. 4

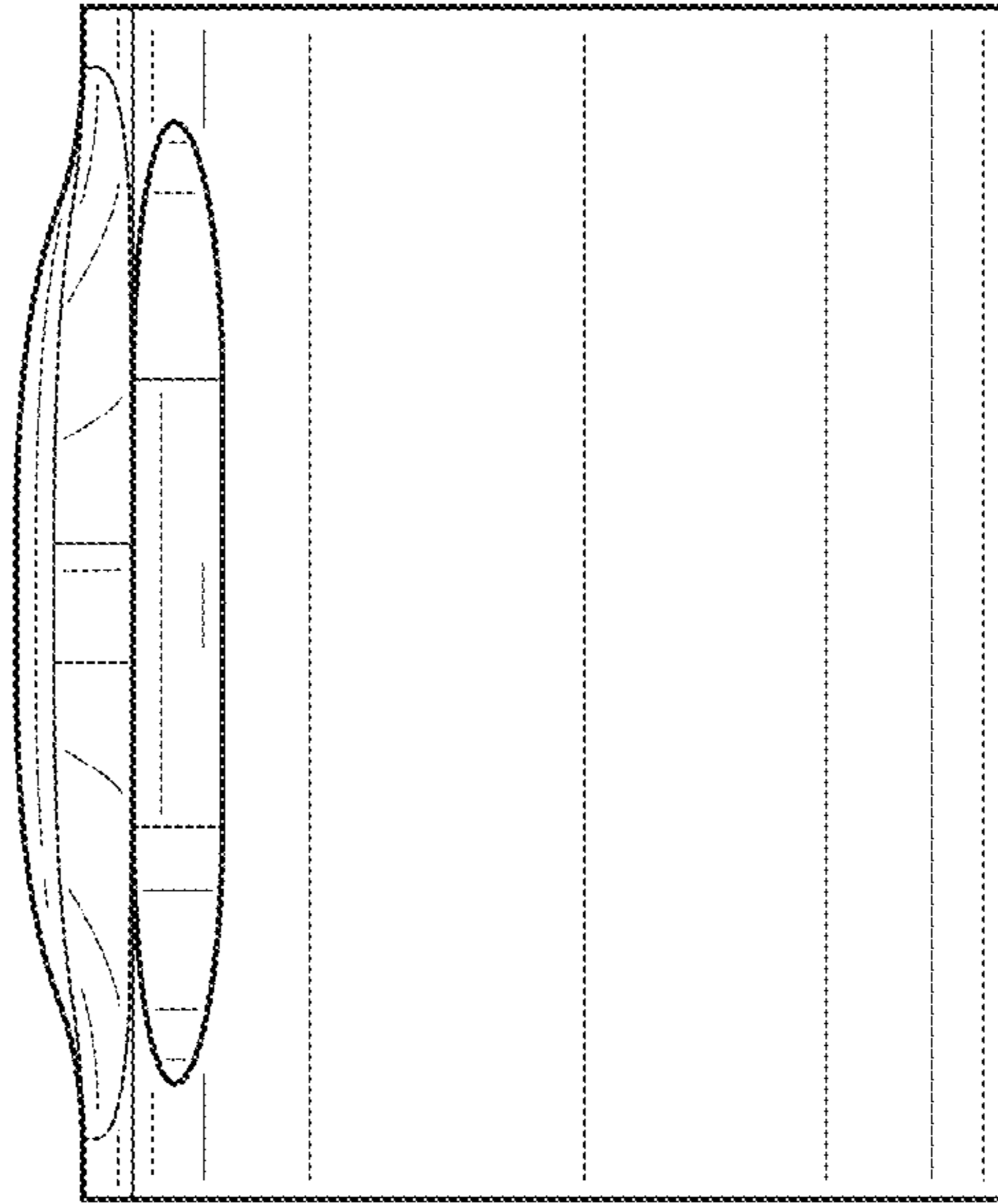


FIG. 6

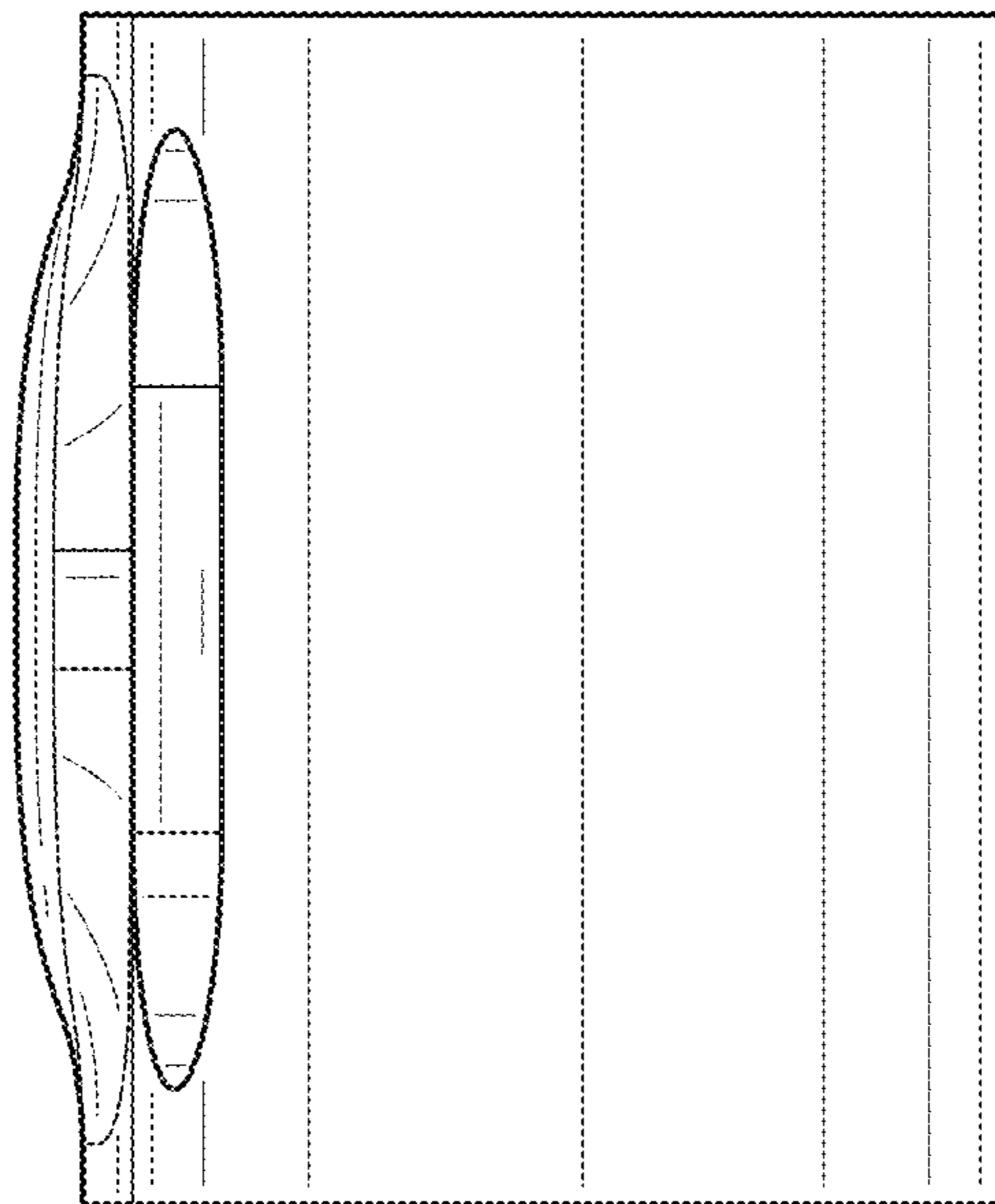


FIG. 5

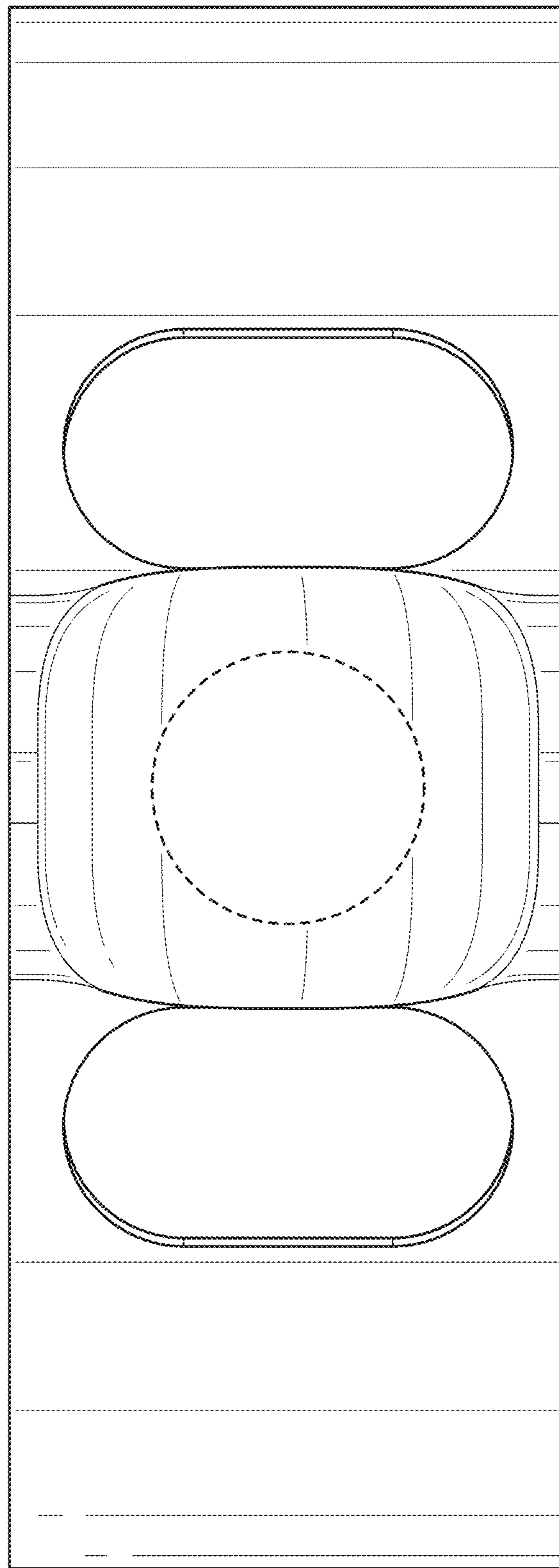


FIG. 7

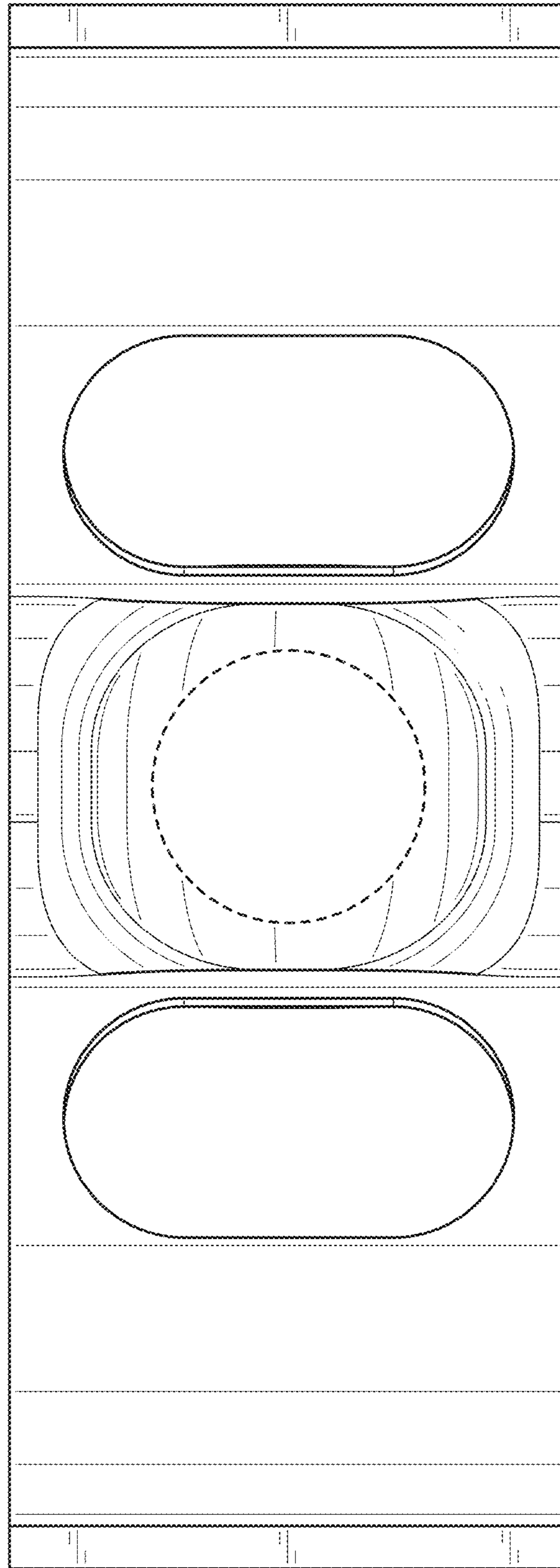


FIG. 8