



US00D906580S

(12) **United States Design Patent**
Murphy et al.

(10) **Patent No.:** **US D906,580 S**

(45) **Date of Patent:** **** Dec. 29, 2020**

(54) **NIGHT LIGHT**

(71) Applicant: **SHNUGGLE LTD.**, Newtownards
Down (GB)

(72) Inventors: **Adam Murphy**, Newtownards Down
(GB); **Fiona Bennington**, Newtownards
(GB)

(73) Assignee: **SHNUGGLE LTD.**

(**) Term: **15 Years**

(21) Appl. No.: **29/679,934**

(22) Filed: **Feb. 12, 2019**

(51) **LOC (12) Cl.** **06-03**

(52) **U.S. Cl.**
USPC **D26/106**

(58) **Field of Classification Search**
USPC D26/1, 24, 37, 93, 104, 106, 110, 112,
D26/82, 88, 120, 128
CPC F21S 6/00; F21S 6/002; F21S 6/004; F21S
6/006; F21S 8/00; F21S 10/00; F21V
21/02; F21W 2131/30; F21Y 2105/00
See application file for complete search history.

(56) **References Cited**

U.S. PATENT DOCUMENTS

D409,317 S 5/1999 Yuen
D430,320 S 8/2000 Ham
D430,945 S 9/2000 Ham
D460,203 S 7/2002 Nemazi et al.
D805,679 S * 12/2017 Sawitz D26/106

D806,307 S * 12/2017 Zahn D26/106
D850,680 S * 6/2019 Case D26/37
D887,071 S * 6/2020 Shin D26/106
2006/0072346 A1 4/2006 Chien

* cited by examiner

Primary Examiner — Brian N Vinson

(74) *Attorney, Agent, or Firm* — Kanika Radhakrishnan;
Evergreen Valley Law Group

(57) **CLAIM**

The ornamental design for a night light, as shown and described.

DESCRIPTION

FIG. 1 illustrates a top right perspective view of a night light sitting atop its recharging base, according to present invention;

FIG. 2 illustrates another perspective view of the night light sitting atop its recharging base, this one from the left rear, according to the present invention;

FIG. 3 shows a rear view of the night light sitting atop its recharging base, according to the present invention;

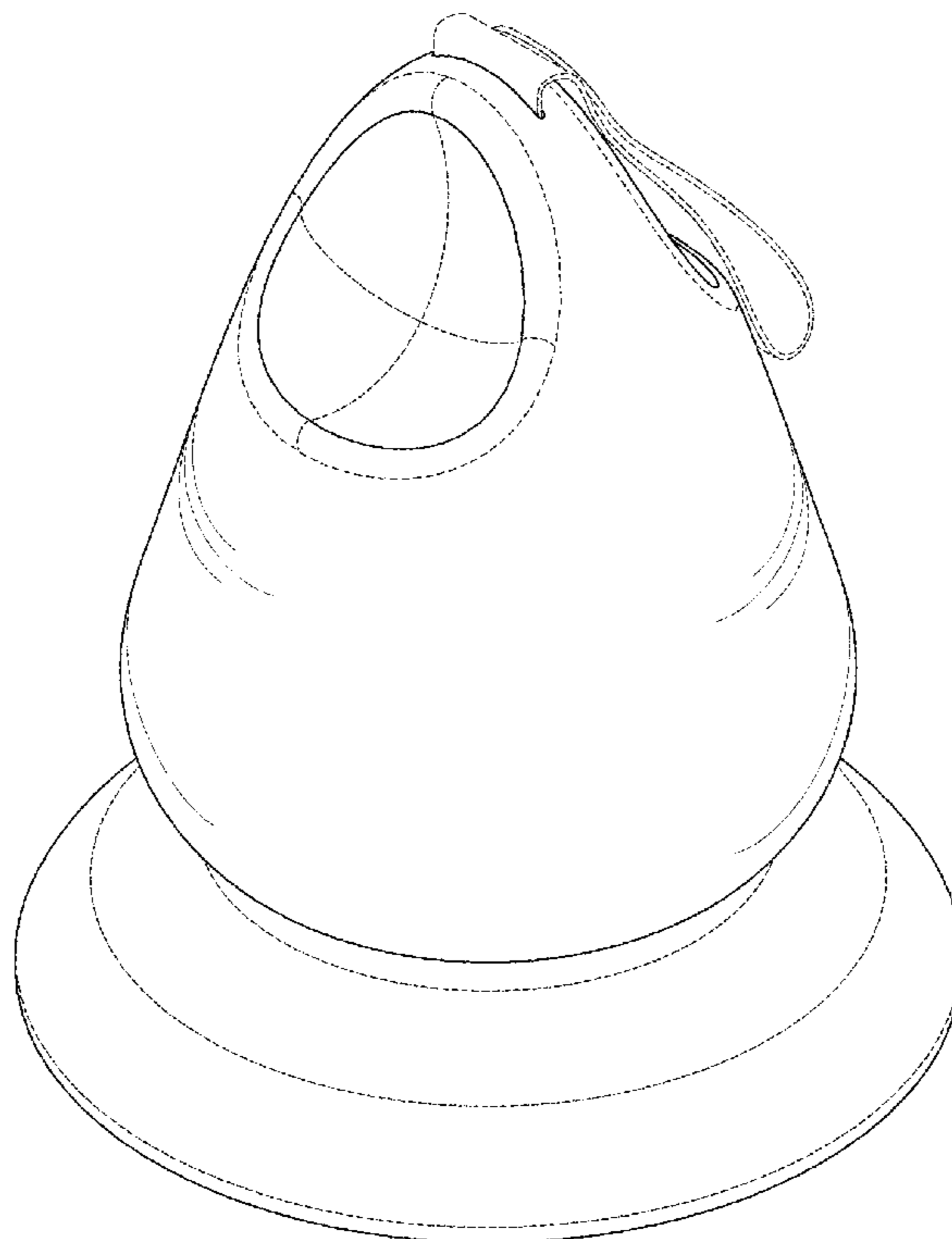
FIG. 4 depicts a right side view of the night light sitting atop its recharging base, according to the present invention, a left side view is a mirror image of the right side view;

FIG. 5 shows a front view of the night light sitting atop its recharging base, according to the present invention; and,

FIG. 6 is a perspective view of the night light and its recharging base with the two units shown separated, according to the present invention.

The broken lines illustrated in the Figures represent portions of the night light which form no part of the claimed design.

1 Claim, 6 Drawing Sheets



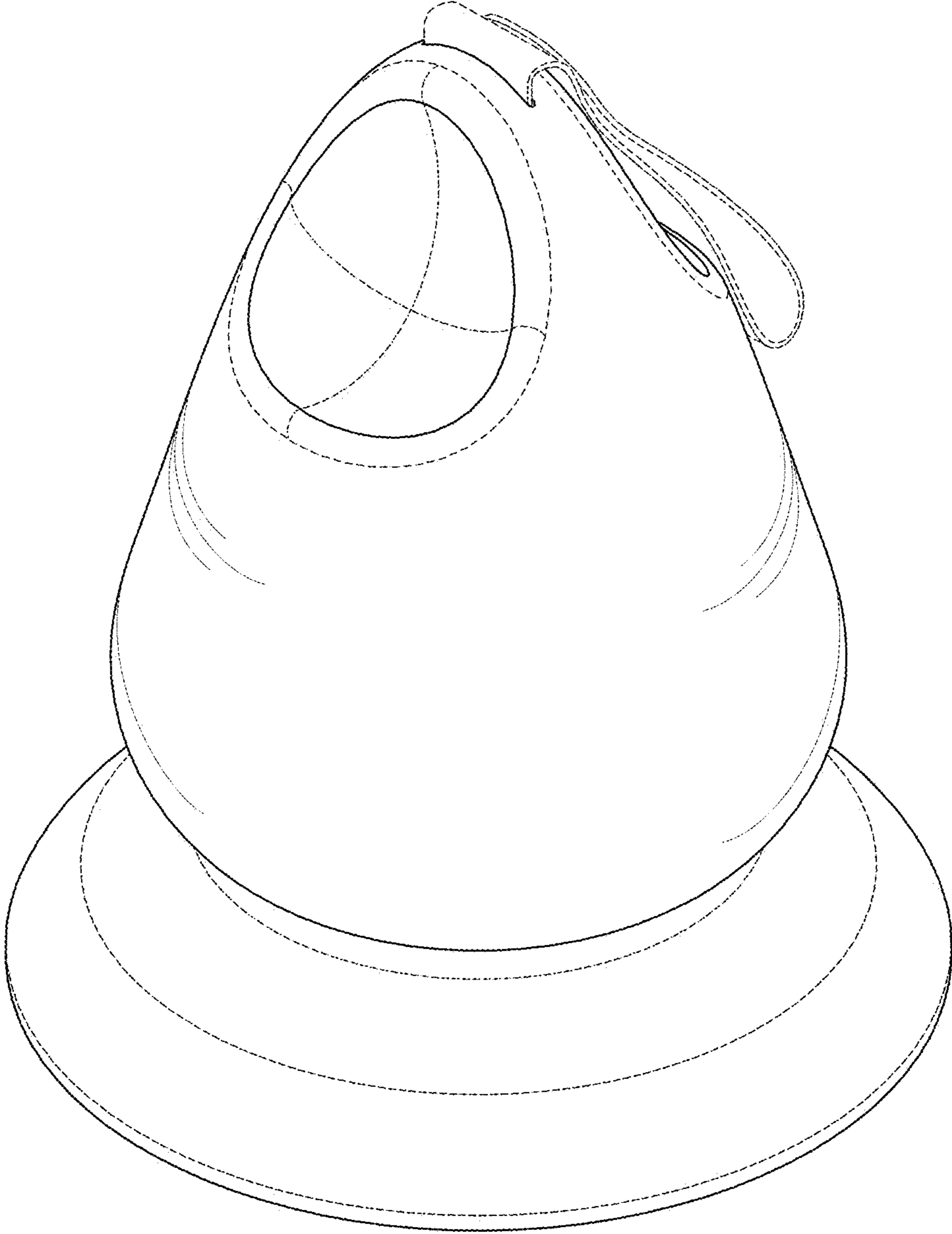


FIG.1

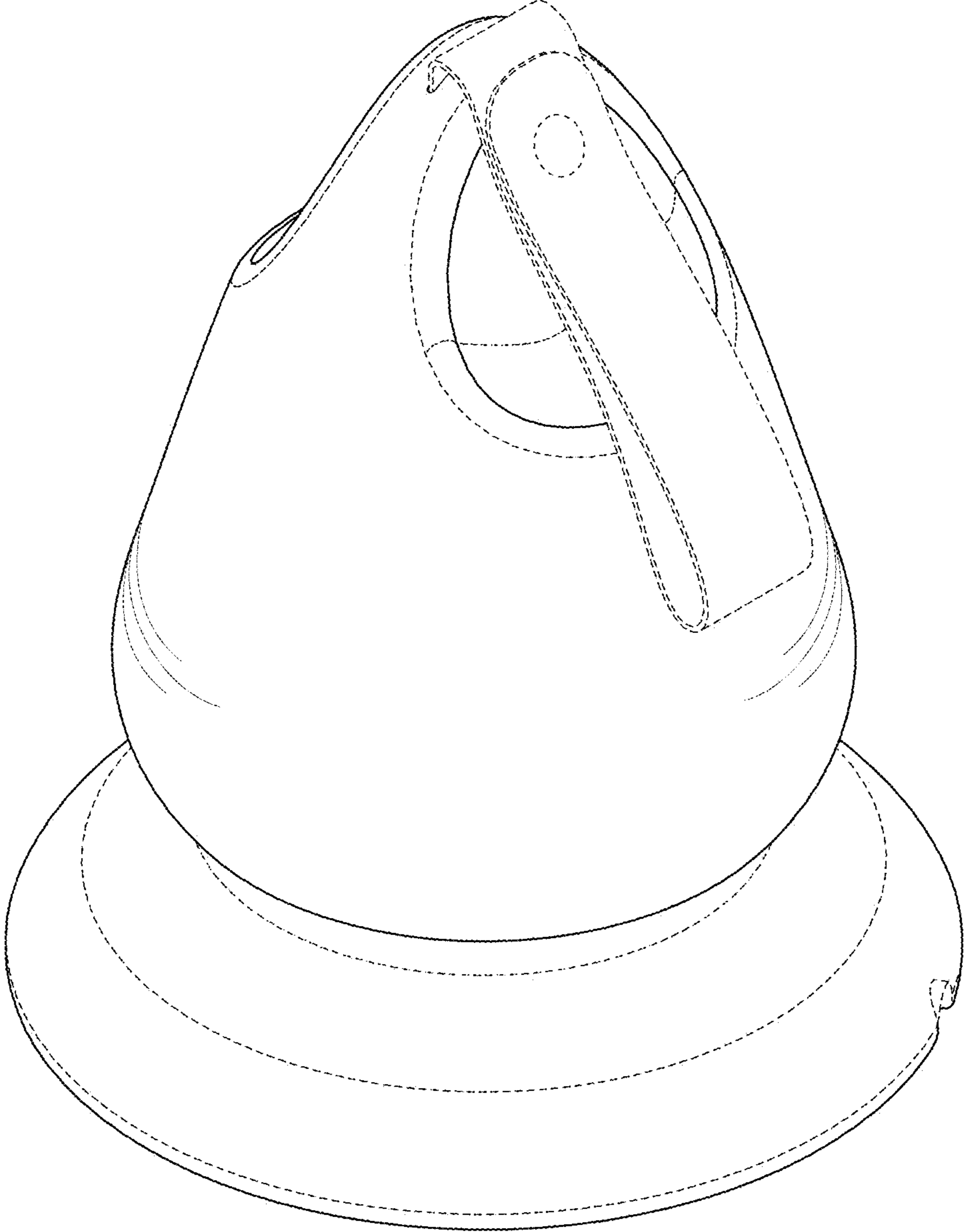


FIG.2

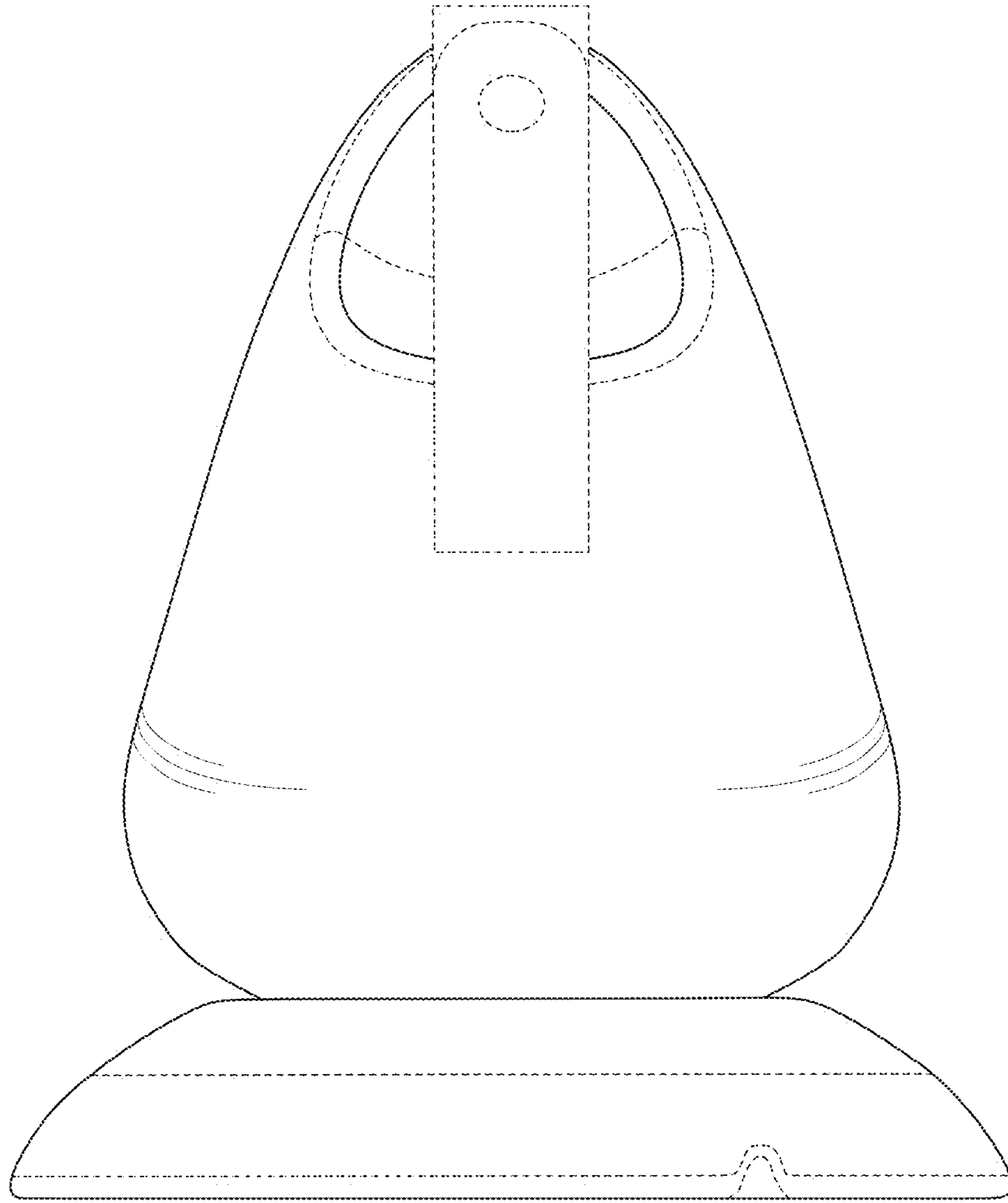


FIG.3

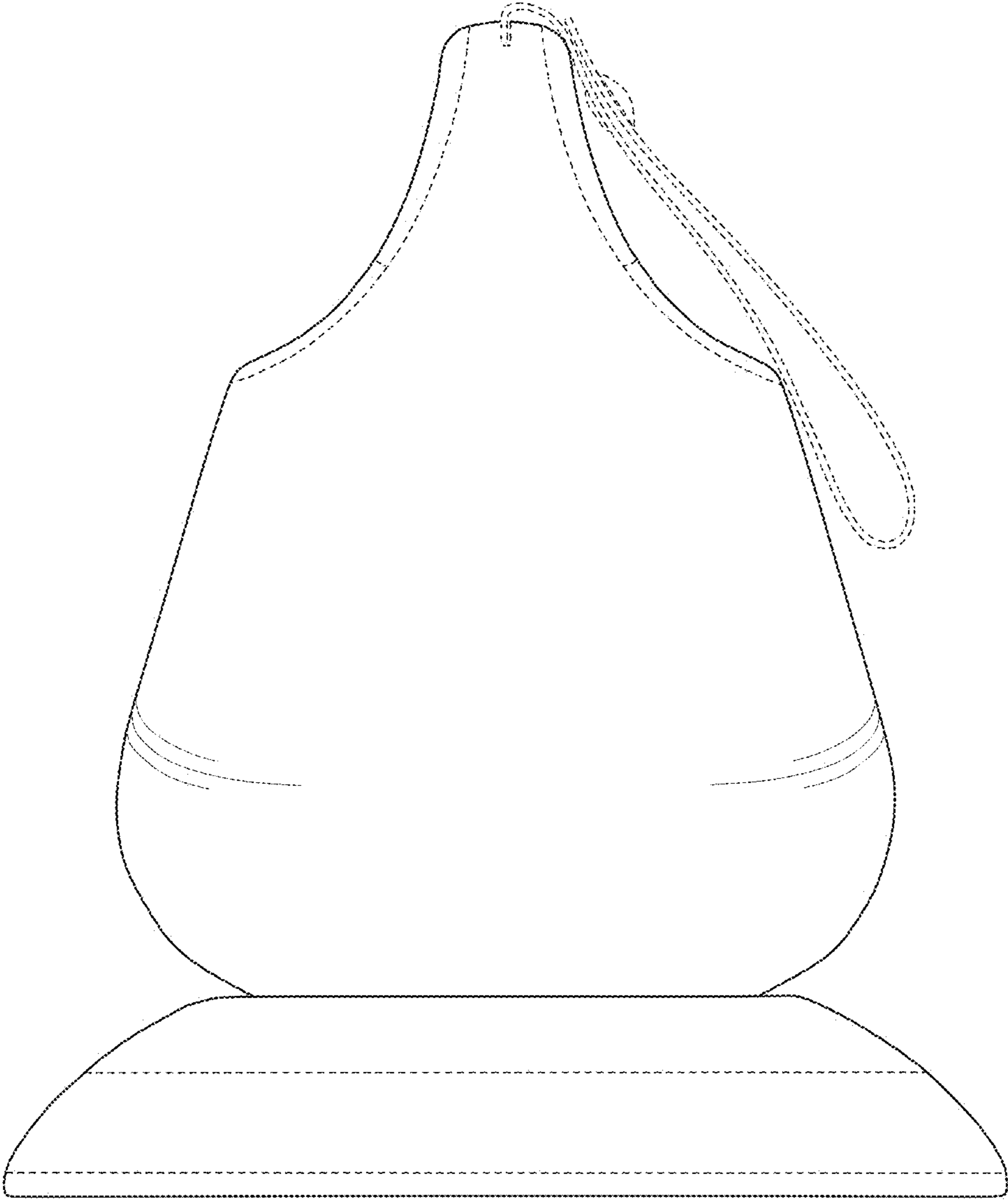


FIG.4

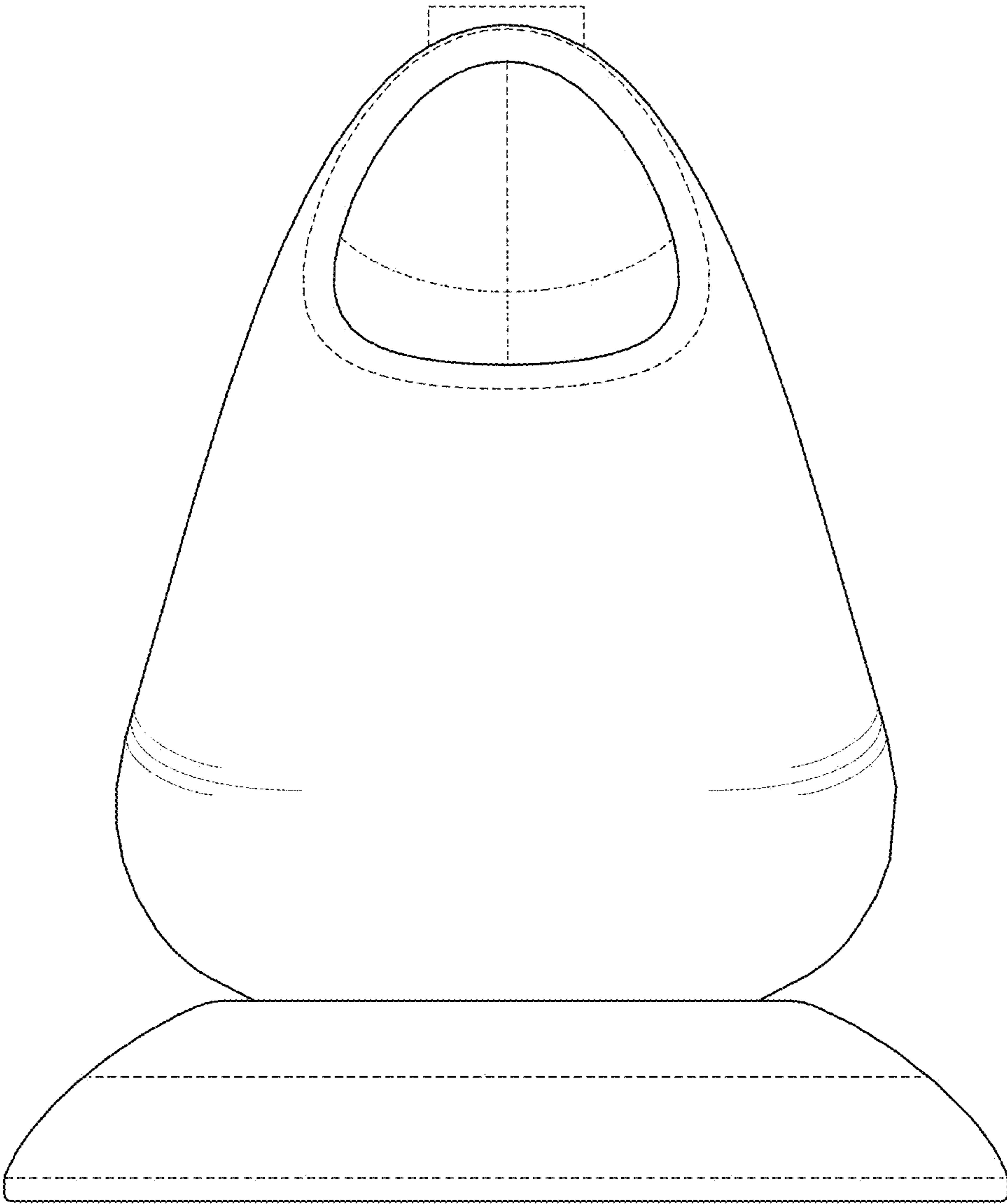


FIG.5

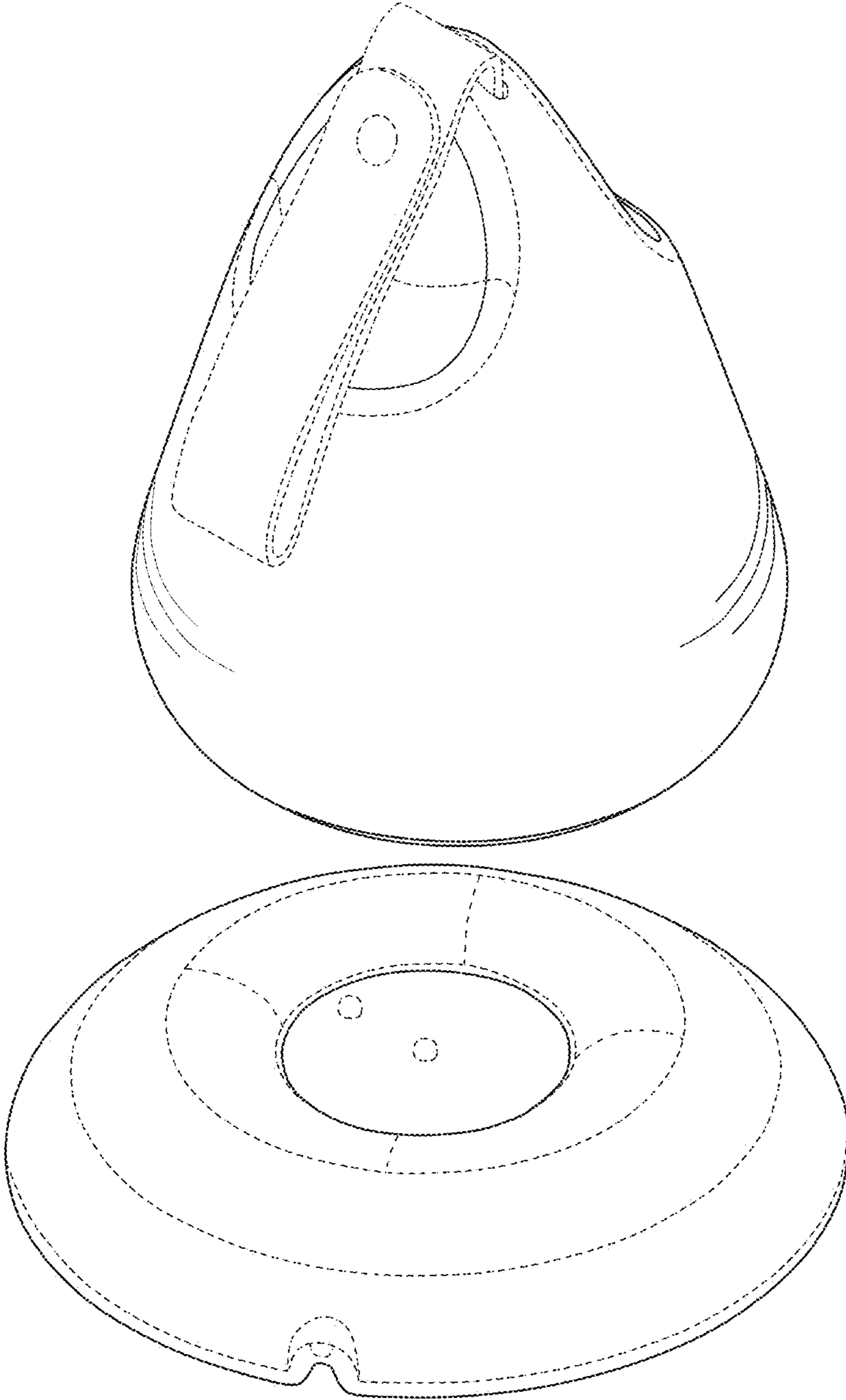


FIG.6