



US00D906577S

(12) **United States Design Patent** (10) **Patent No.:** **US D906,577 S**
Gardner (45) **Date of Patent:** **** Dec. 29, 2020**

(54) **LIGHTING FIXTURE**

(71) Applicant: **Kichler Lighting LLC**, Cleveland, OH (US)

(72) Inventor: **Amanda Gardner**, Broadview Hts., OH (US)

(73) Assignee: **Kichler Lighting LLC**, Cleveland, OH (US)

(**) Term: **15 Years**

(21) Appl. No.: **29/664,935**

(22) Filed: **Sep. 28, 2018**

Related U.S. Application Data

(63) Continuation of application No. 29/620,077, filed on Jun. 20, 2016, now Pat. No. Des. 833,666.

(51) **LOC (12) Cl.** **26-03**

(52) **U.S. Cl.**
USPC **D26/87; D26/86; D26/80**

(58) **Field of Classification Search**
USPC D26/67, 68, 72, 85-87, 80, 92
CPC F21S 13/10
See application file for complete search history.

(56) **References Cited**

U.S. PATENT DOCUMENTS

D394,125 S *	5/1998	Barry	D26/87
D442,317 S *	5/2001	Crosby	D26/87
D442,728 S *	5/2001	Littman	D26/87
D457,678 S *	5/2002	Yang	D26/80
D472,662 S *	4/2003	Lee	D26/80
D483,140 S *	12/2003	Lee	D26/80
D501,058 S *	1/2005	Parres	D26/80

(Continued)

OTHER PUBLICATIONS

Kichler 45921 NI Joelson 1—Light Wall Sconce, available at amazon.com Jun. 28, 2016. (Year: 2016).*

(Continued)

Primary Examiner — Clare E Heflin

(74) *Attorney, Agent, or Firm* — Brooks Kushman P.C.

(57) **CLAIM**

I claim the ornamental design for a lighting fixture, as shown and described.

DESCRIPTION

FIG. 1 is a perspective view of a lighting fixture. This fixture has mirror image symmetry about a vertical imaginary plane that bisects the canopy. The shade, lamp base, and lower stem each have a circular horizontal cross-section, and the canopy and horizontal arm each have a circular vertical cross-section.

FIG. 2 is a front elevation view of the lighting fixture of FIG. 1.

FIG. 3 is a right side elevation view of the lighting fixture of FIG. 1, the left side elevation view being a mirror image of the right side.

FIG. 4 is a top plan view of the lighting fixture of FIG. 1. FIG. 5 is a perspective view of a lighting fixture. This fixture has mirror image symmetry about a vertical imaginary plane that bisects the canopy. The shades and lamp bases each have a circular horizontal cross-section, and the canopy and cross bar each have a circular vertical cross-section.

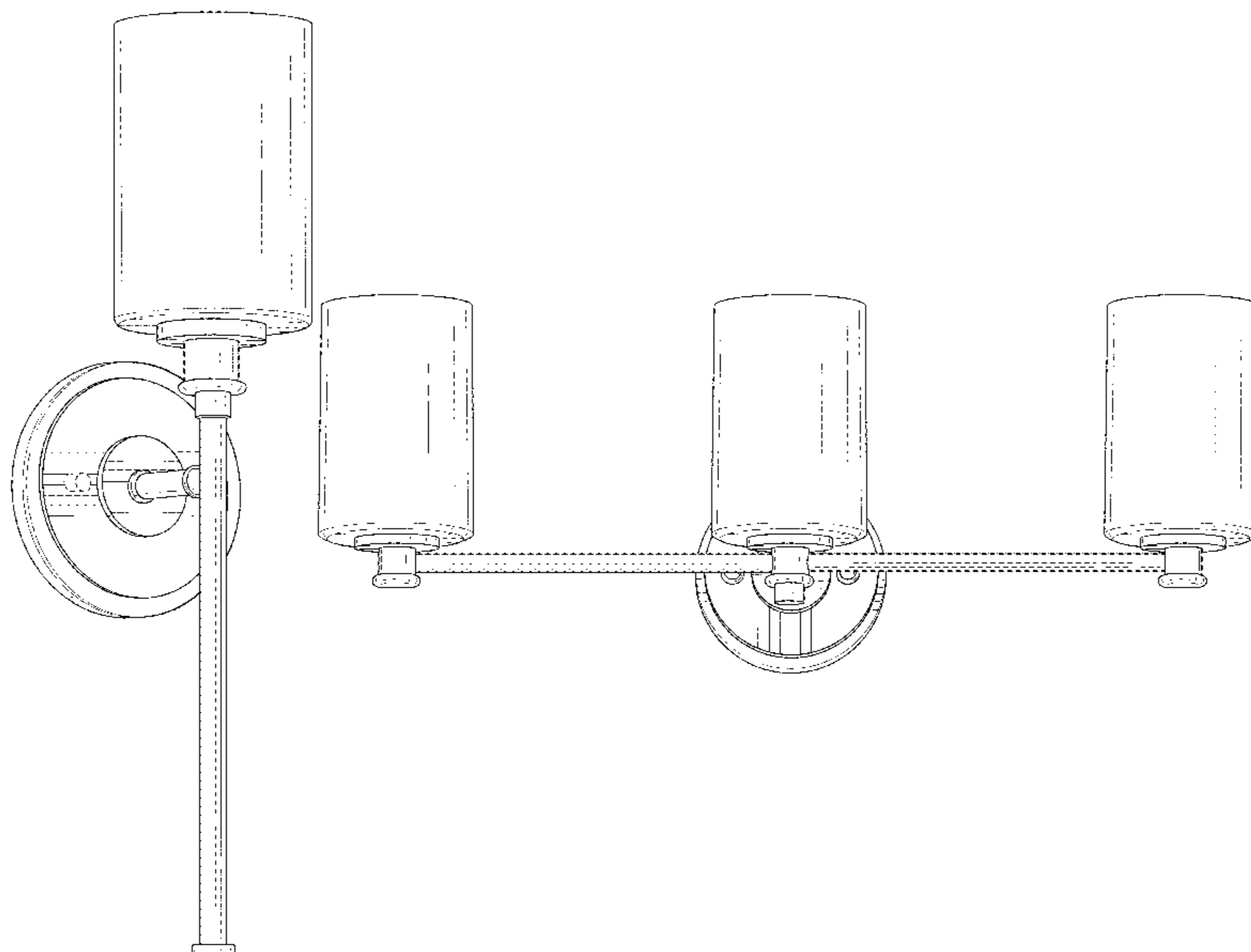
FIG. 6 is a front elevation view of the lighting fixture of FIG. 2.

FIG. 7 is a top plan view of the lighting fixture of FIG. 2; and,

FIG. 8 is a right side elevation view of the lighting fixture of FIG. 2, the left side elevation view being a mirror image of the right side.

The dashed lines on the drawings depict portions of the lighting fixture that form no part of the claimed design.

1 Claim, 8 Drawing Sheets



(56)

References Cited

U.S. PATENT DOCUMENTS

D575,437 S *	8/2008	Bickler	D26/86
D595,889 S *	7/2009	Sabernig	D26/118
D605,331 S *	12/2009	Miranda	D26/87
D686,770 S *	7/2013	Orozco	D26/86
D754,906 S *	4/2016	Smith	D26/87
D821,018 S *	6/2018	Amato	D26/87
D845,535 S *	4/2019	Van Duysen	D26/87
D851,318 S *	6/2019	Amato	D26/87
D851,319 S *	6/2019	Amato	D26/87
D882,149 S *	4/2020	Lin	D26/87

OTHER PUBLICATIONS

Chloe CH2S002BN29-BL4 Bath and Vanity Fixture, available at amazon.com Nov. 3, 2018. (Year: 2018).*

Kichler 45923OZ Joelson Vanity, 3-Light, available at amazon.com Jun. 28, 2016. (Year: 2016).*

Progress Lighting P2159-104 Bath & Vanity Fixture, available at amazon.com Jan. 12, 2016. (Year: 2016).*

* cited by examiner

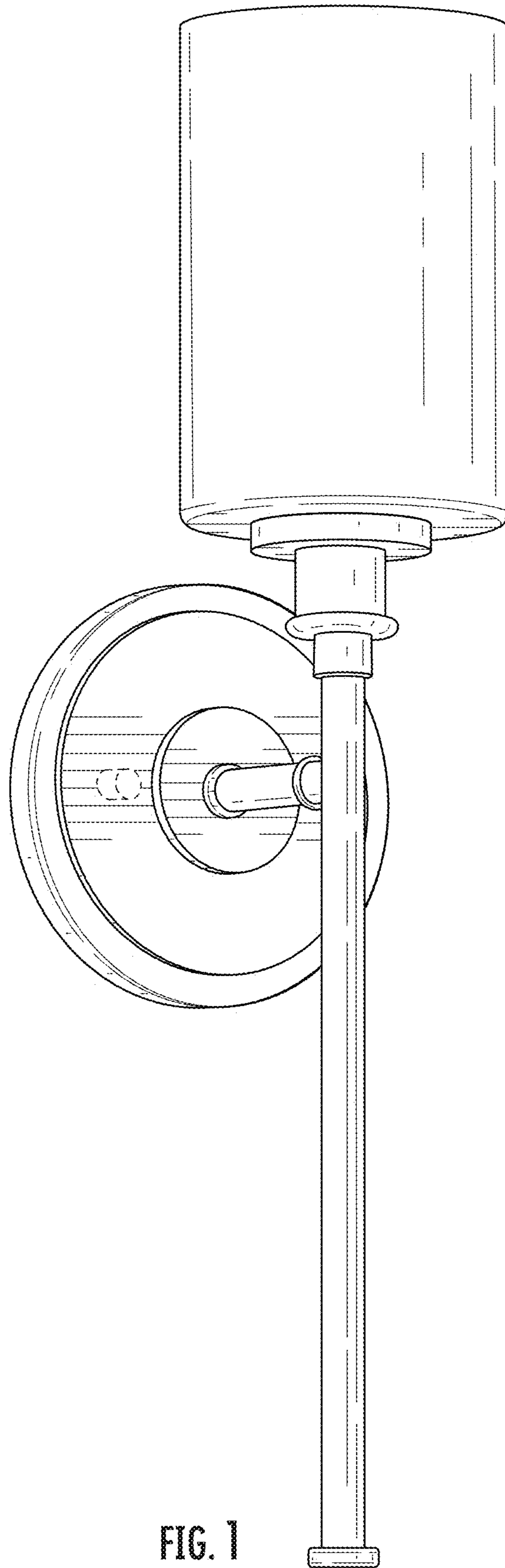


FIG. 1

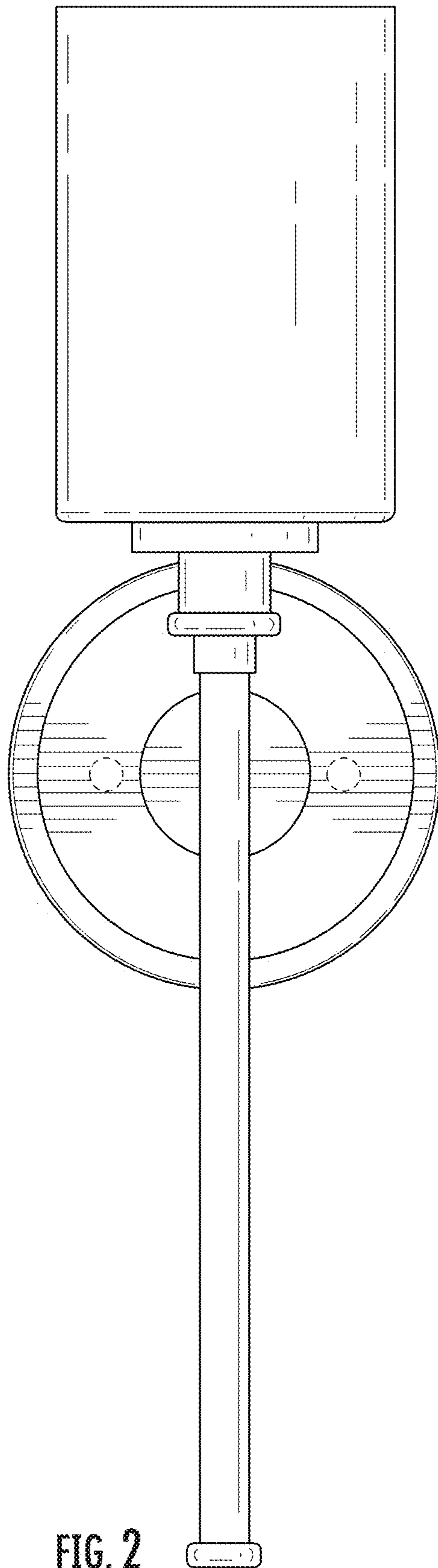


FIG. 2

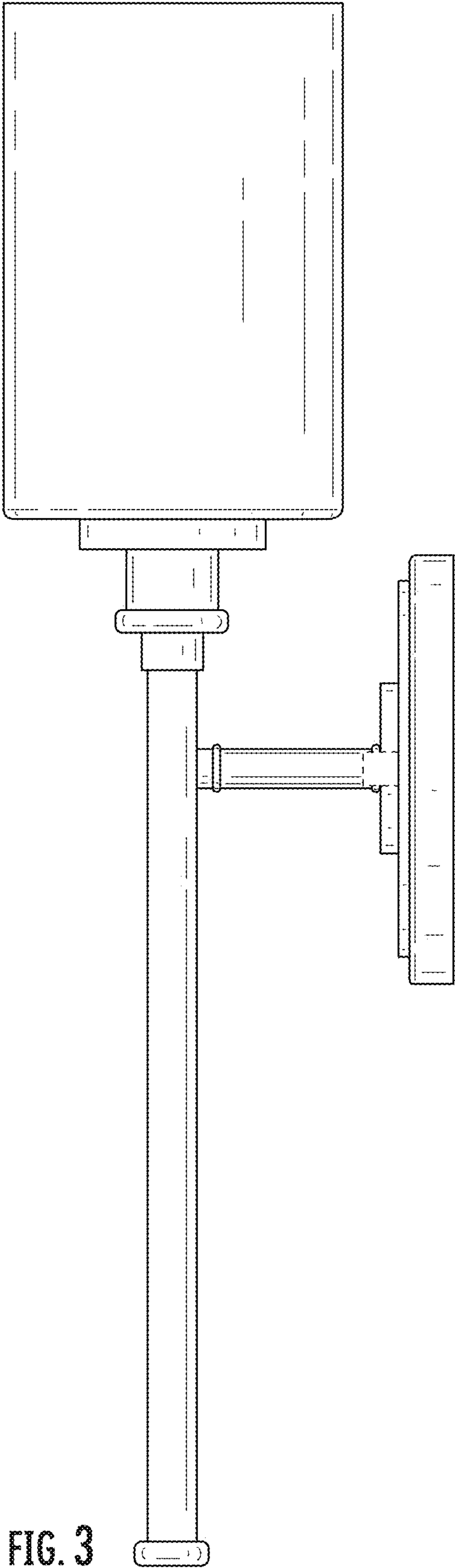


FIG. 3

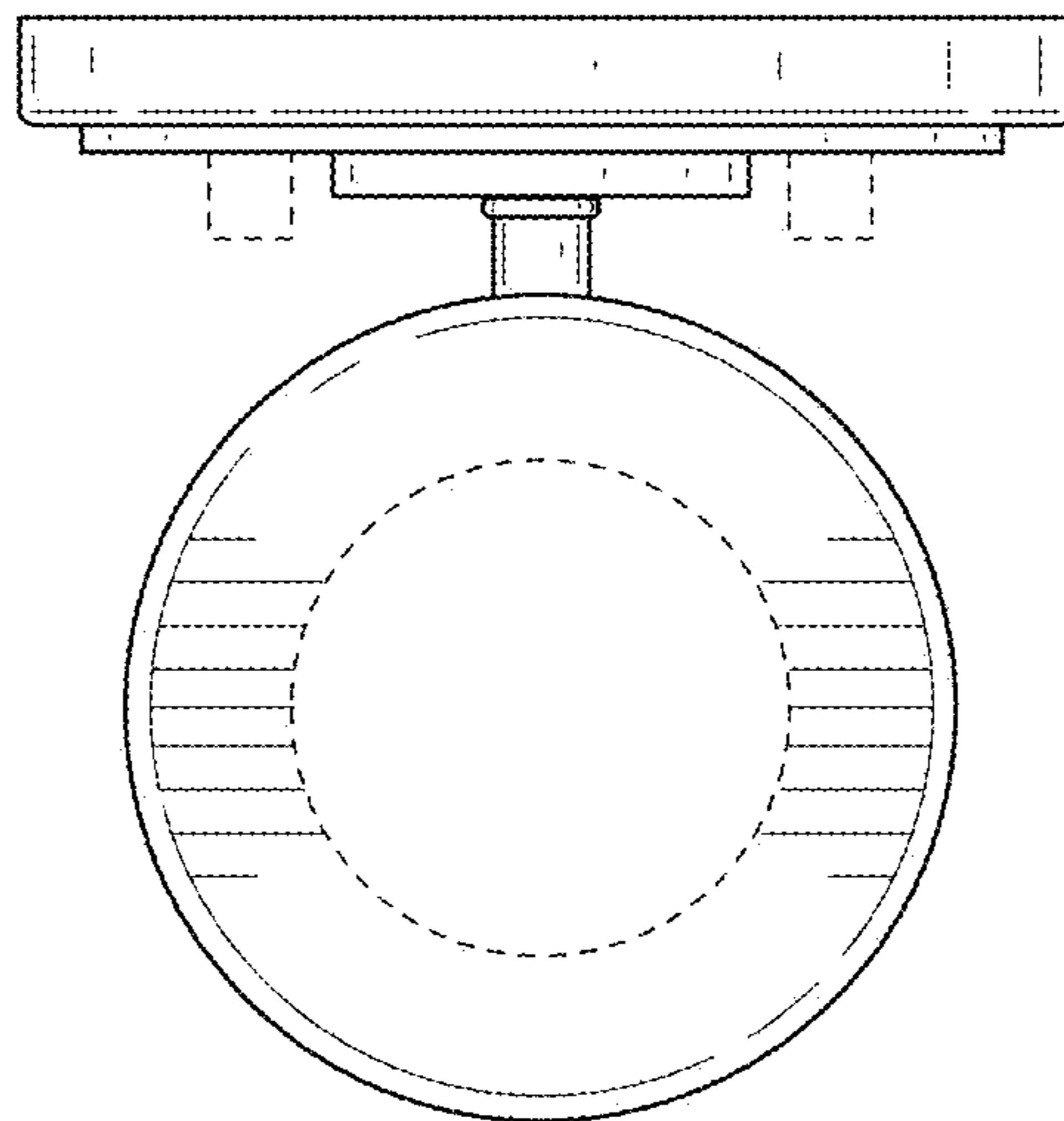


FIG. 4

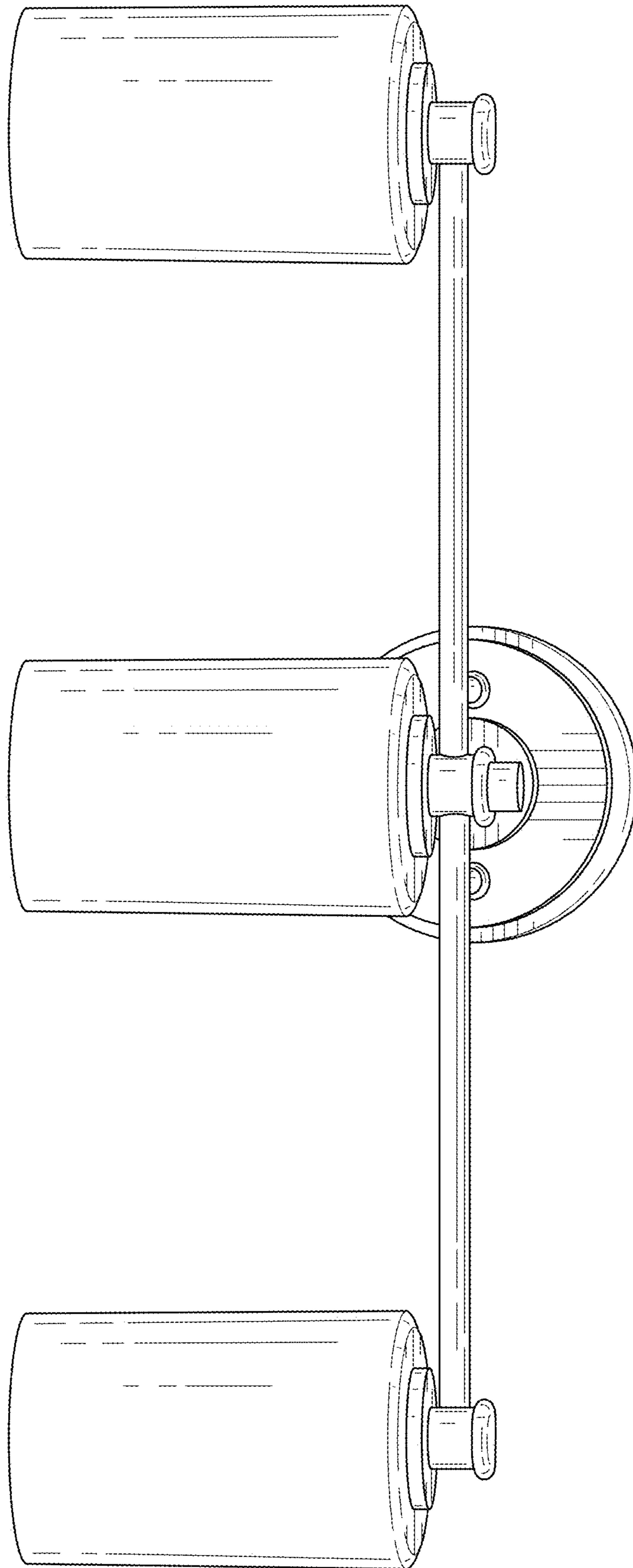


FIG. 5

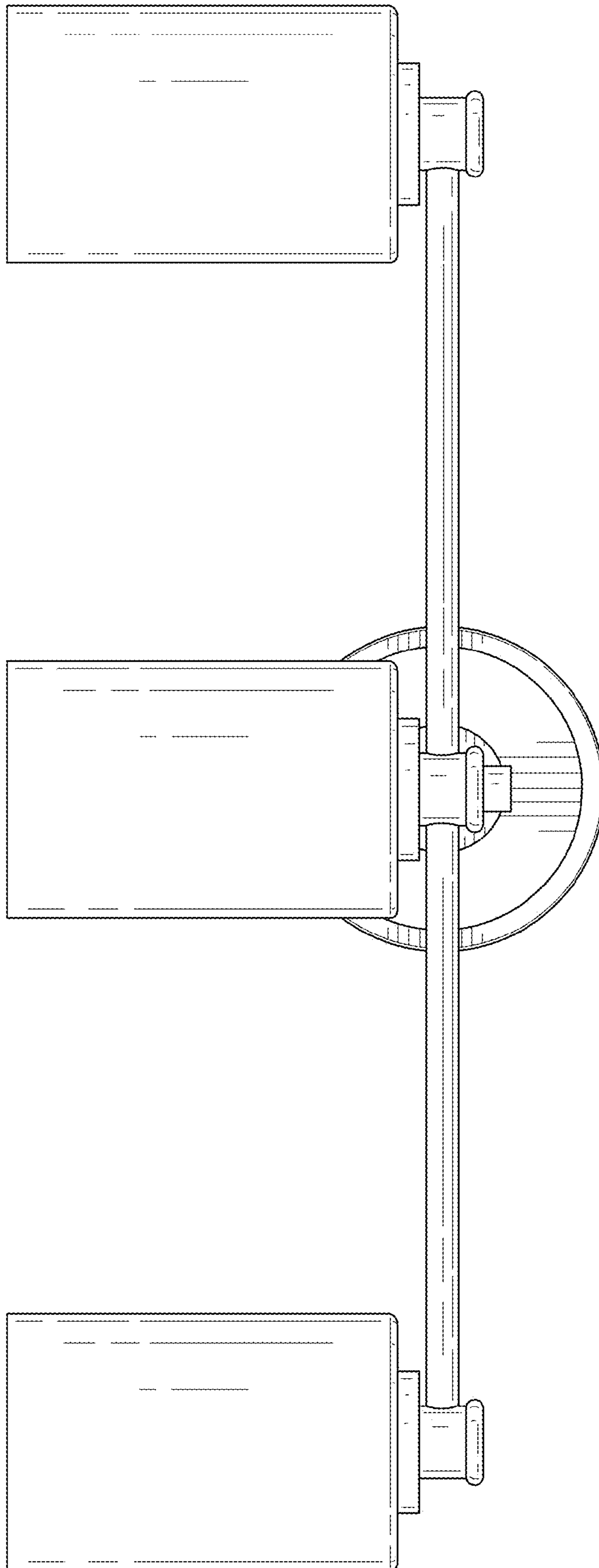


FIG. 6

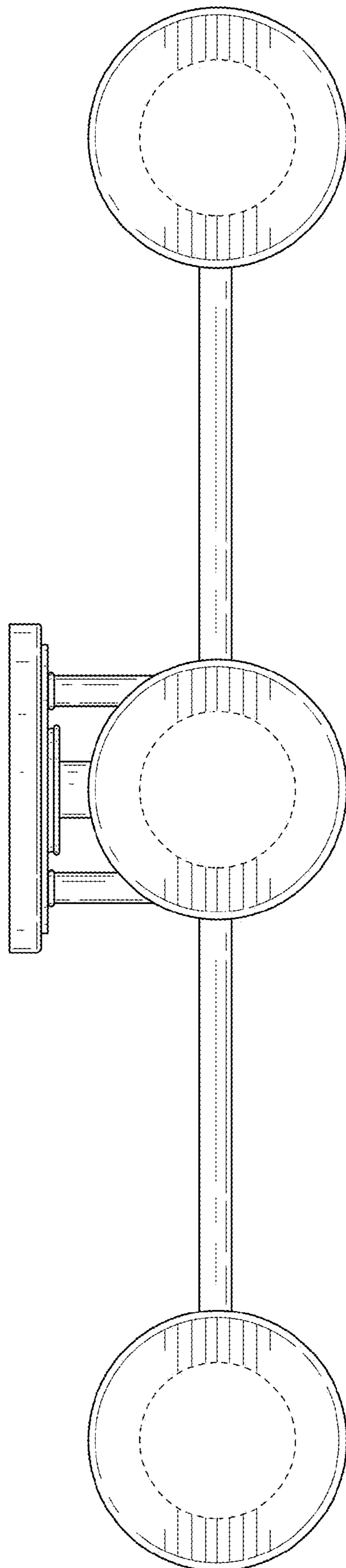


FIG. 7

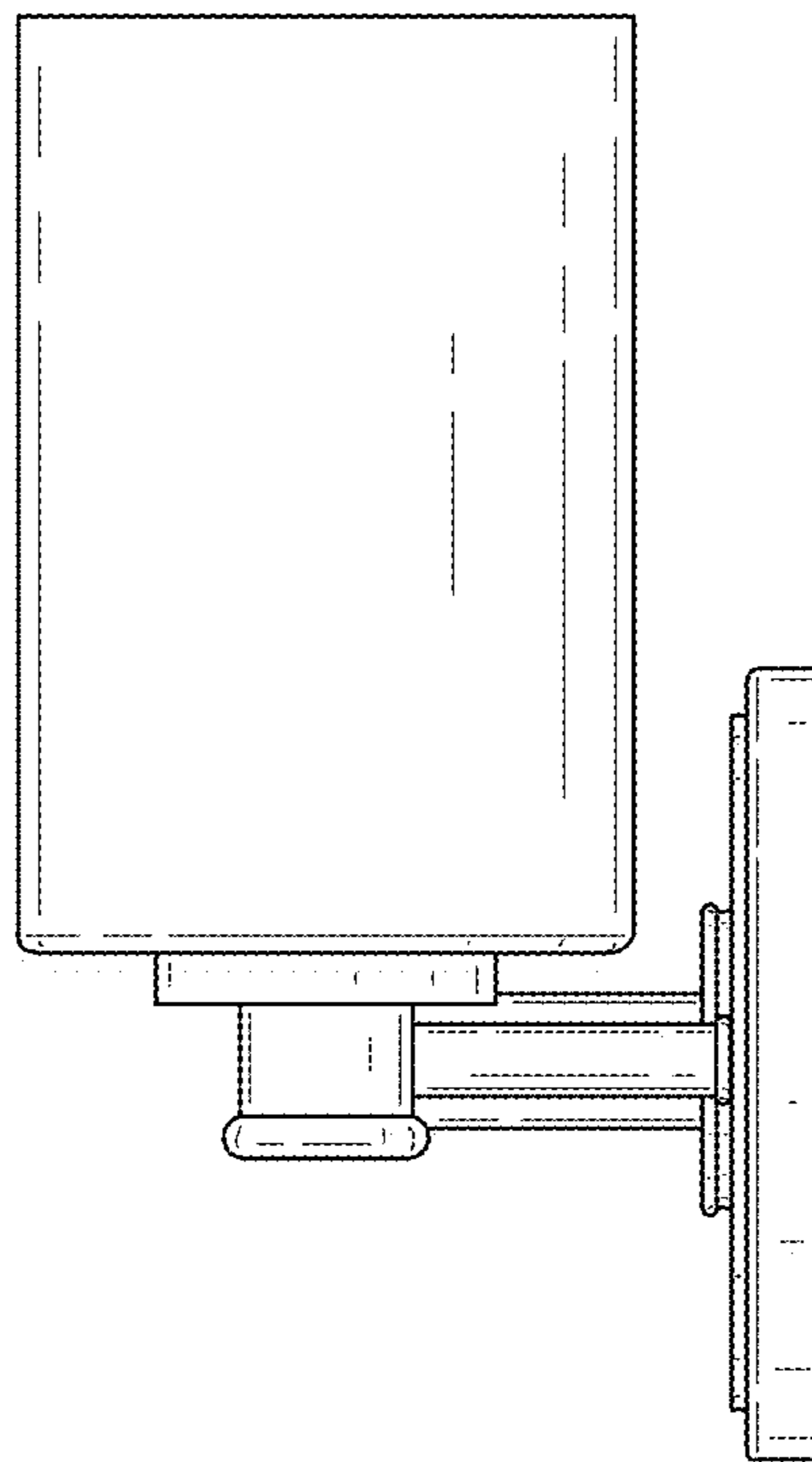


FIG. 8