



US00D906574S

(12) **United States Design Patent**
Jiang

(10) **Patent No.:** **US D906,574 S**

(45) **Date of Patent:** **** Dec. 29, 2020**

(54) **LAMP**

D864,456 S * 10/2019 Lin D26/76
D864,458 S * 10/2019 Liu D26/85
D887,614 S * 6/2020 Lin D26/85

(71) Applicant: **Xiaoli Jiang**, Guangdong (CN)

(72) Inventor: **Xiaoli Jiang**, Guangdong (CN)

(**) Term: **15 Years**

(21) Appl. No.: **29/740,228**

(22) Filed: **Jul. 1, 2020**

(51) **LOC (12) Cl.** **26-03**

(52) **U.S. Cl.**
USPC **D26/85; D26/87**

(58) **Field of Classification Search**
USPC D26/72, 76, 80, 85-87, 92
CPC F21S 8/03; F21S 8/031; F21S 8/033; F21S
8/035; F21S 8/036
See application file for complete search history.

(56) **References Cited**

U.S. PATENT DOCUMENTS

D185,974 S * 8/1959 Rambusch D26/85
D330,438 S * 10/1992 Herst D26/76
D348,533 S * 7/1994 Herst D26/76
D353,220 S * 12/1994 Fiorato D26/85
D357,997 S * 5/1995 Wegrzyn D26/72
D549,383 S * 8/2007 Duggan D26/85
D626,276 S * 10/2010 Sabernig D26/85
D796,724 S * 9/2017 Sonneman D26/85
D822,233 S * 7/2018 Wang et al.
D830,609 S * 10/2018 Sonneman D26/87

OTHER PUBLICATIONS

Forest Ice II LED bath bar by George Kovacs shown at lumens.com, visited Nov. 19, 2020. (Year: 2020).*

High Rise bath bar by Minka-Lavery shown at lumens.com, visited Nov. 19, 2020. (Year: 2020).*

* cited by examiner

Primary Examiner — Clare E Heflin

(74) *Attorney, Agent, or Firm* — ZANIP

(57) **CLAIM**

The ornamental design for a lamp, as shown and described.

DESCRIPTION

FIG. 1 is a front and top perspective view of a lamp, showing my new design;

FIG. 2 is a rear and bottom perspective view thereof;

FIG. 3 is a top plan view thereof;

FIG. 4 is a bottom plan view thereof;

FIG. 5 is a left side elevation view thereof;

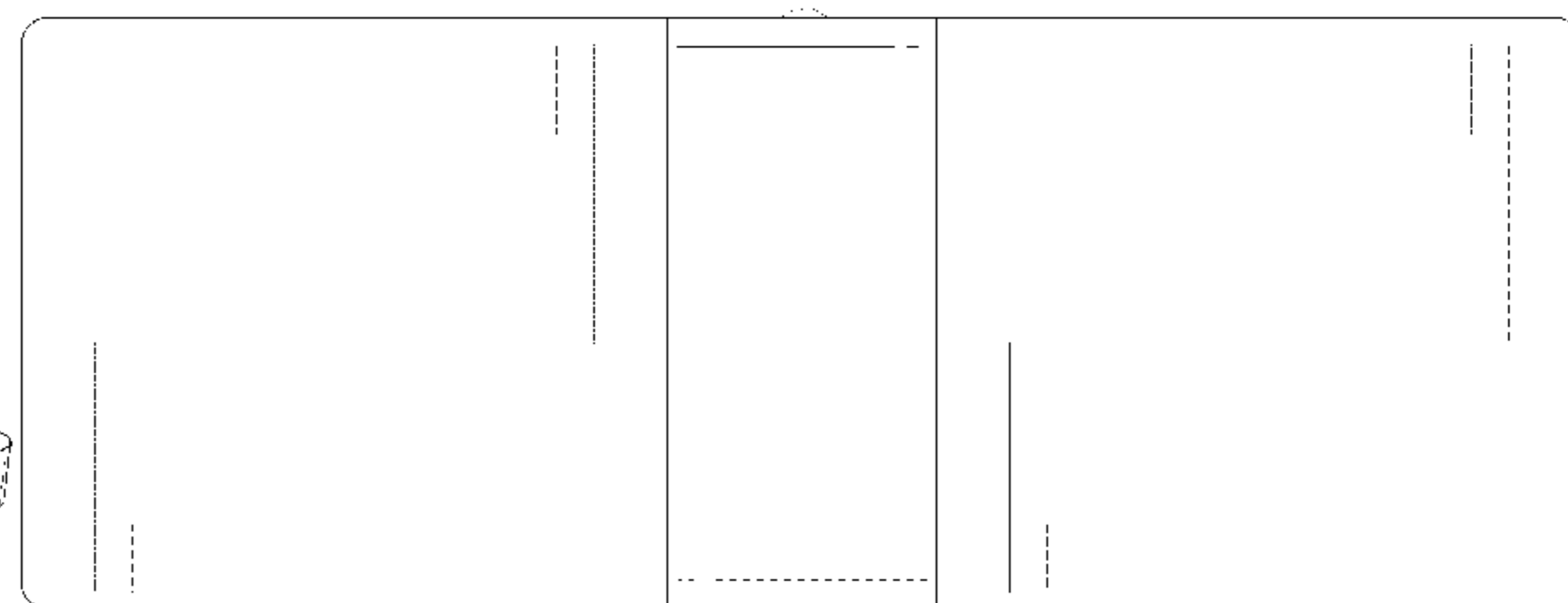
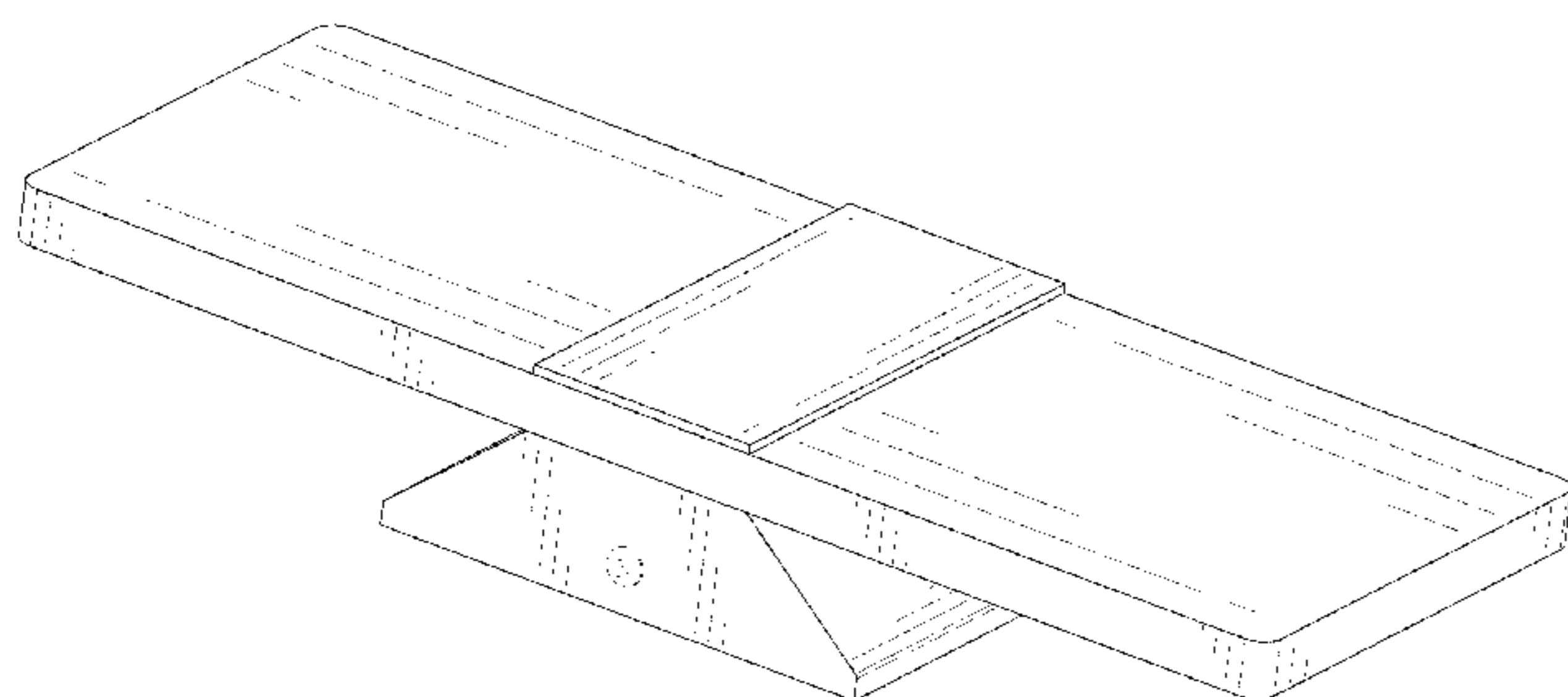
FIG. 6 is a right side elevation view thereof;

FIG. 7 is a front elevation view thereof; and,

FIG. 8 is a rear elevation view thereof.

The broken lines in the figures illustrate portions of the article that form no part of the claimed design.

1 Claim, 8 Drawing Sheets



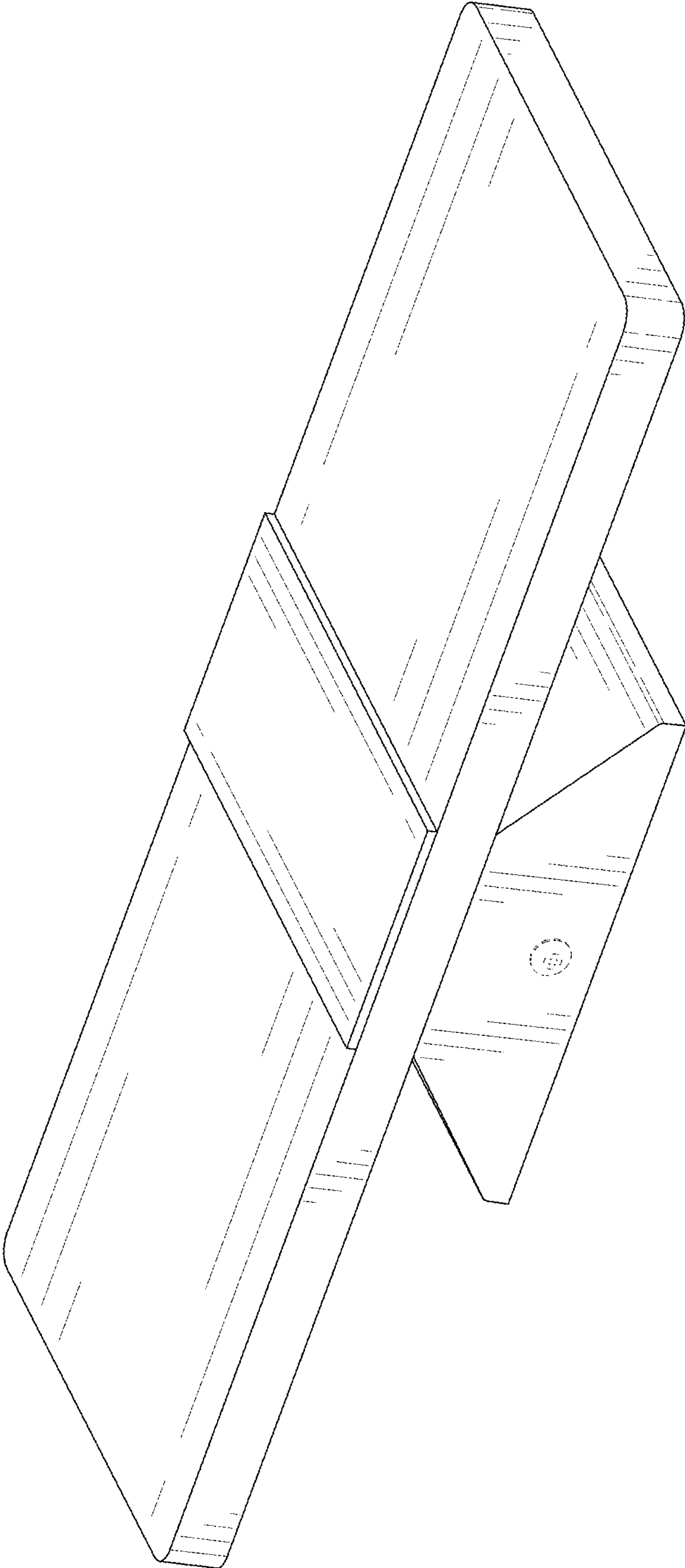


FIG. 1

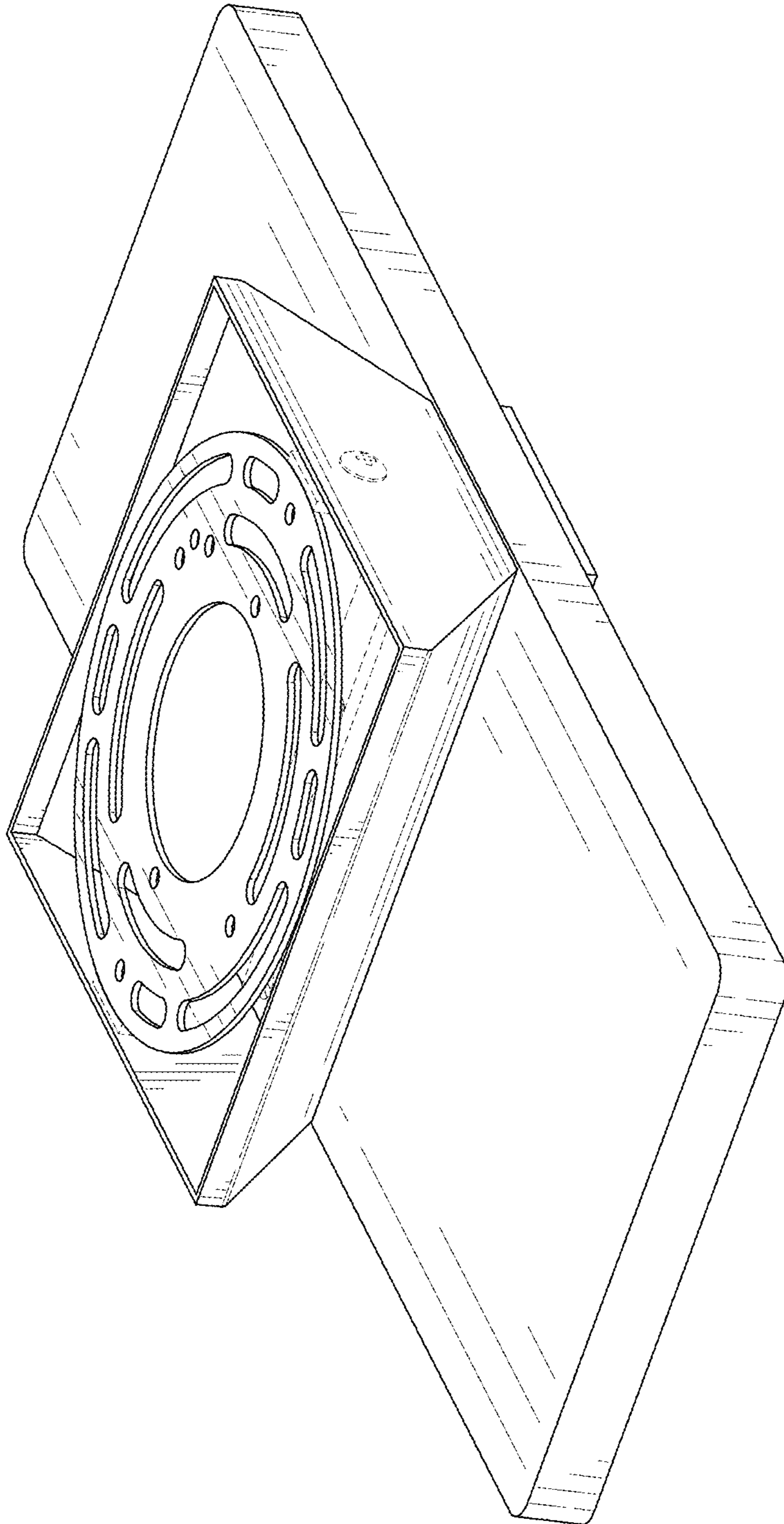


FIG. 2

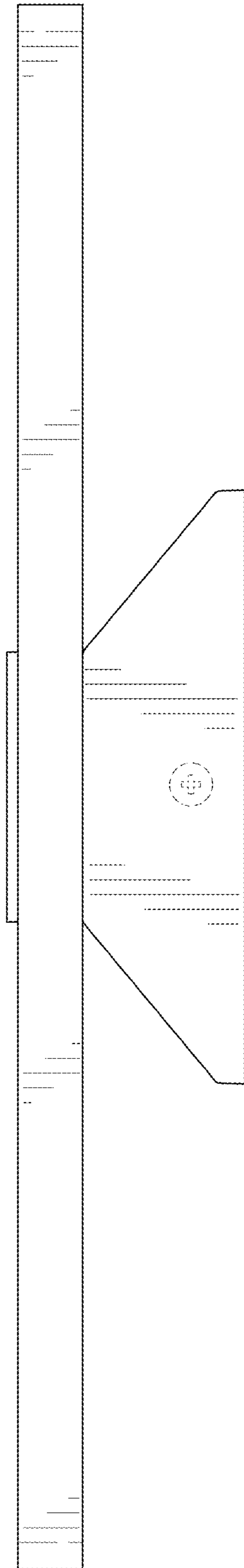


FIG. 3

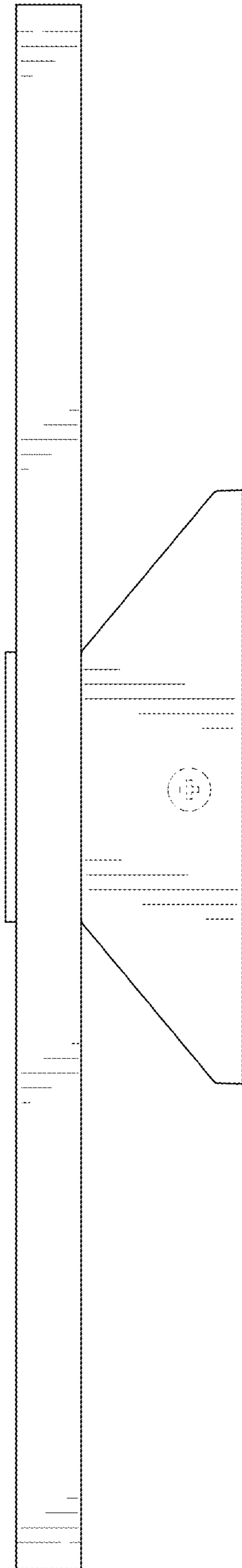


FIG. 4

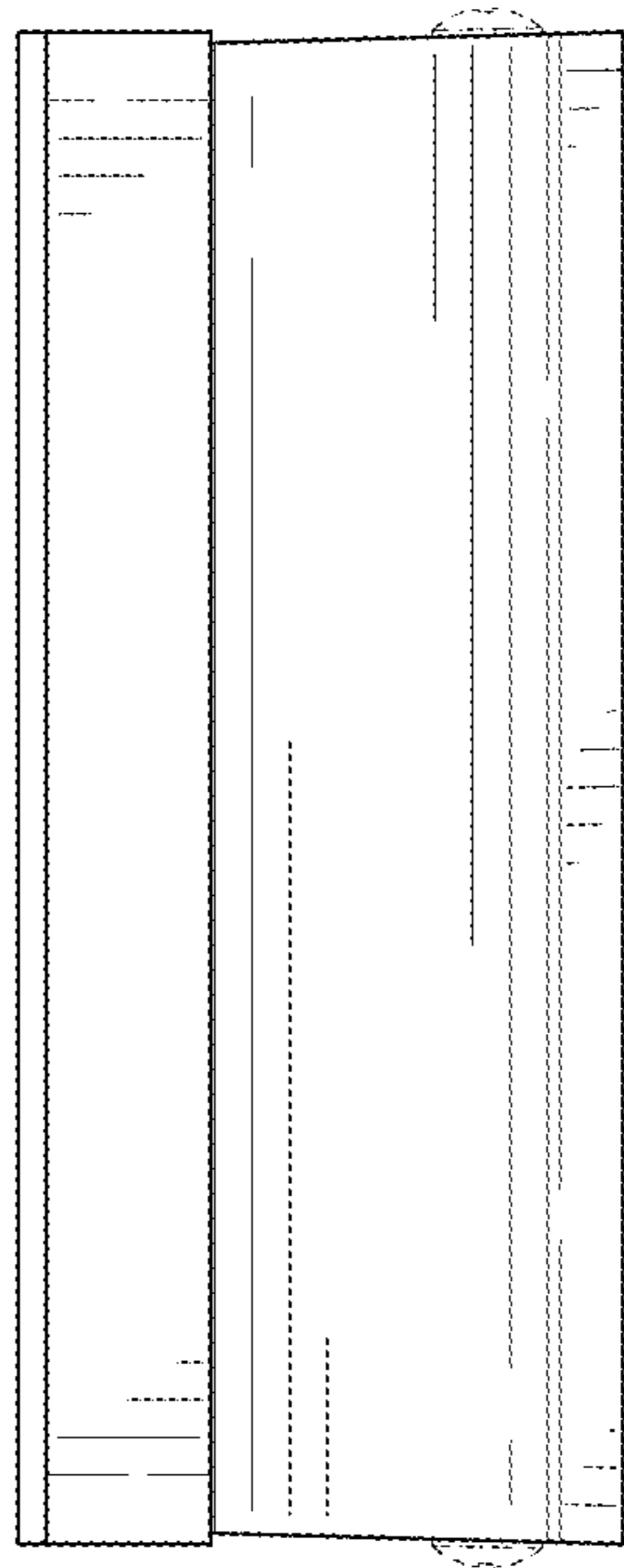


FIG. 5

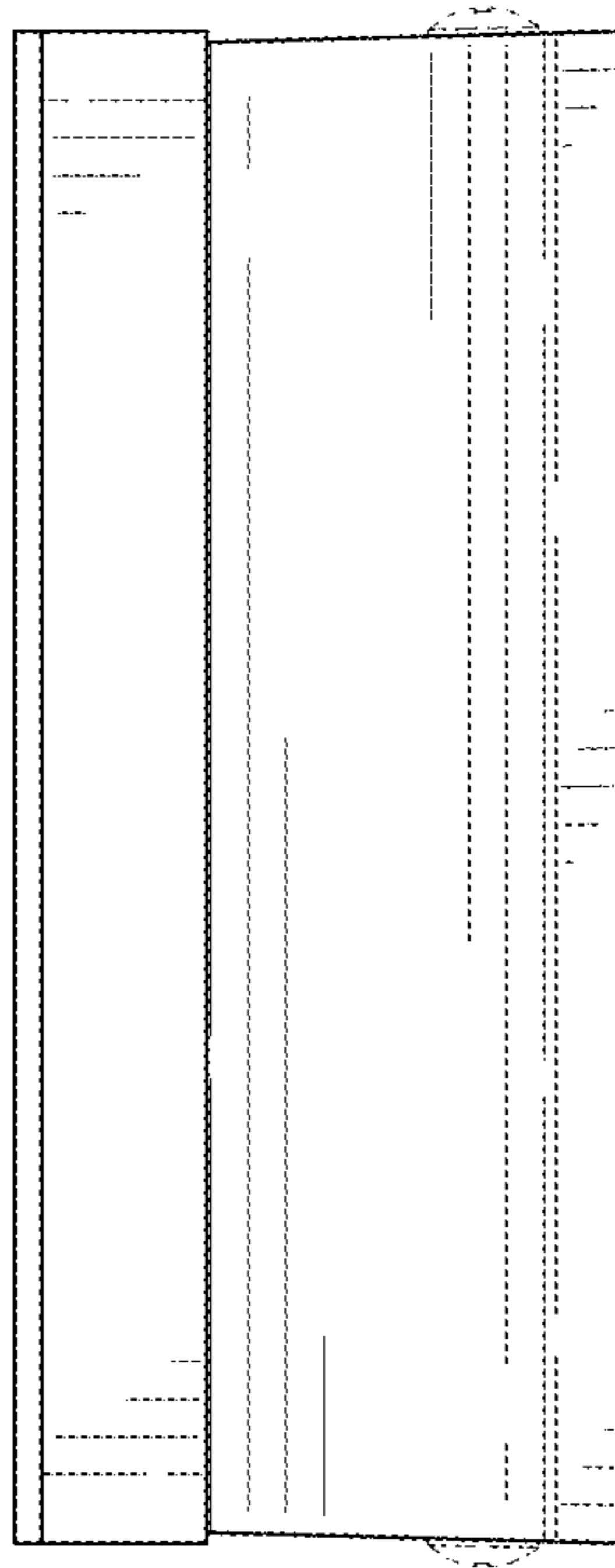


FIG. 6

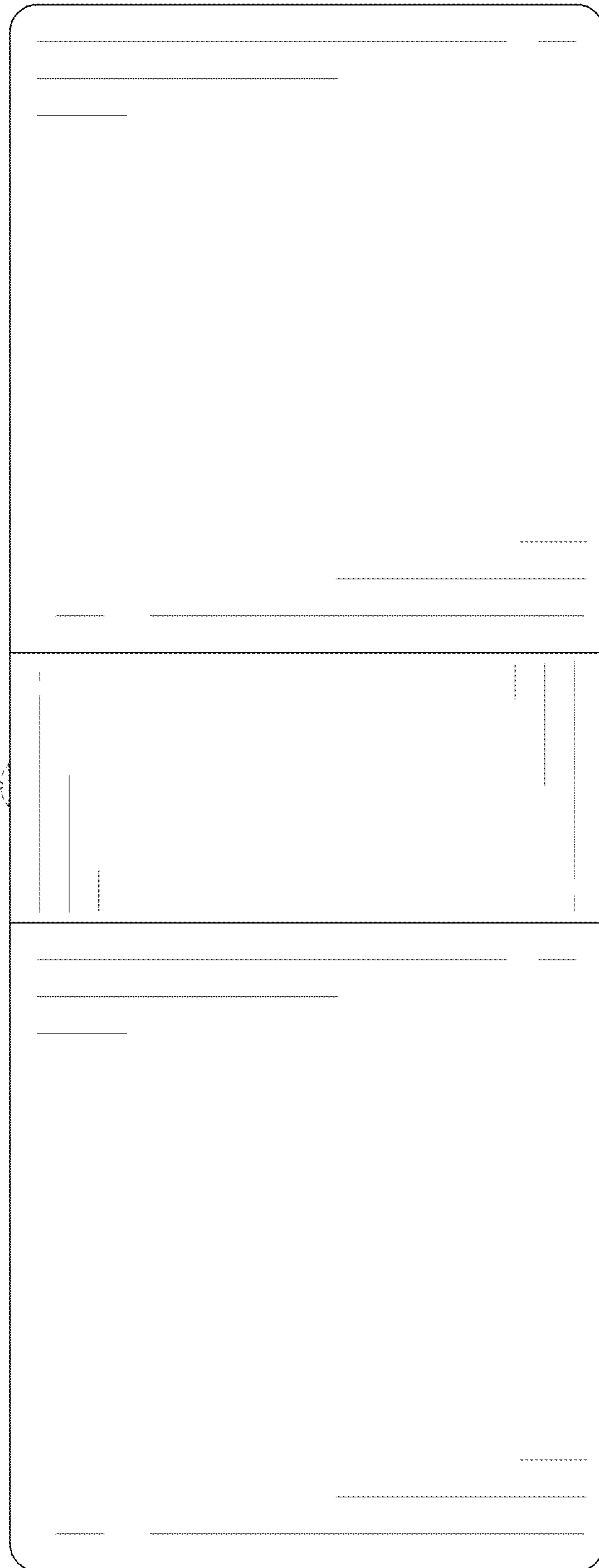


FIG. 7

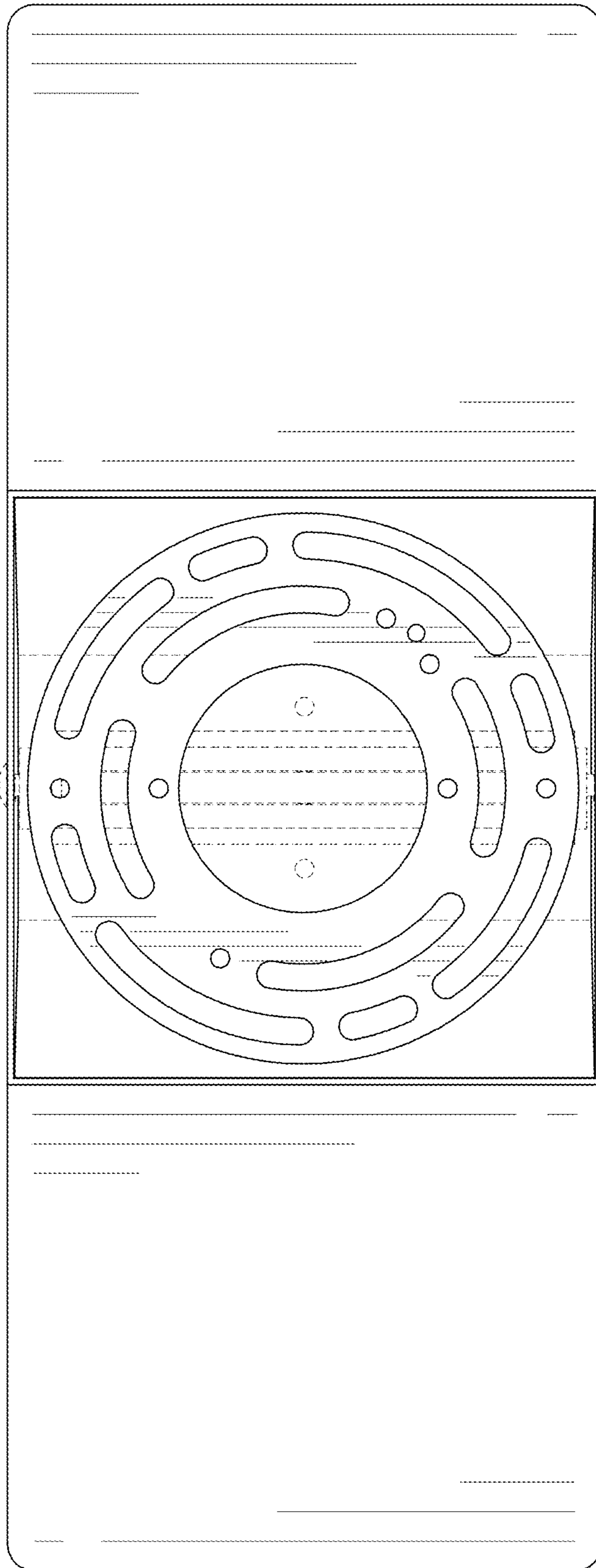


FIG. 8