



US00D906572S

(12) **United States Design Patent** (10) **Patent No.:** **US D906,572 S**
Li (45) **Date of Patent:** **** *Dec. 29, 2020**

(54) **LIGHT FIXTURE** D605,333 S * 12/2009 Miranda F16B 45/02
D26/88
(71) Applicant: **Chunhao Li**, Shenzhen (CN) D686,771 S * 7/2013 Lastimoso D26/88
D825,812 S * 8/2018 Wright D26/81

(72) Inventor: **Chunhao Li**, Shenzhen (CN)

(*) Notice: This patent is subject to a terminal disclaimer.

(**) Term: **15 Years**

(21) Appl. No.: **29/643,060**

(22) Filed: **Apr. 4, 2018**

(51) **LOC (12) Cl.** **26-03**

(52) **U.S. Cl.**
USPC **D26/81**

(58) **Field of Classification Search**
USPC D26/81-92, 143, 144
See application file for complete search history.

(56) **References Cited**

U.S. PATENT DOCUMENTS

D45,313 S *	2/1914	Schoenhardt	D26/88
D75,063 S *	5/1928	Rosenblatt	D26/81
1,680,225 A *	8/1928	Luckiesh	F21S 8/06 362/247
D167,081 S *	6/1952	Huegel	362/408
D302,478 S *	7/1989	Bohler	F21S 8/06 D26/81
D304,092 S *	10/1989	Glassman	D26/85
D483,514 S *	12/2003	Cuevas	D26/81
6,945,676 B1 *	9/2005	Scott	F16B 45/02 24/598.4
D539,960 S *	4/2007	Hsu	D26/81
D592,796 S *	5/2009	Chandler	D26/144

OTHER PUBLICATIONS

Anmytek Round Wooden Chandelier Model No. C0019. Date first available at amazon.com—Aug. 15, 2017. (Year: 2017).*
Kichler Lighting 3-Light Distressed Wood Semi-Flush Mount Model No. 38171. Date first available at amazon.co—Jul. 14, 2016. (Year: 2016).*

* cited by examiner

Primary Examiner — Clare E Heflin

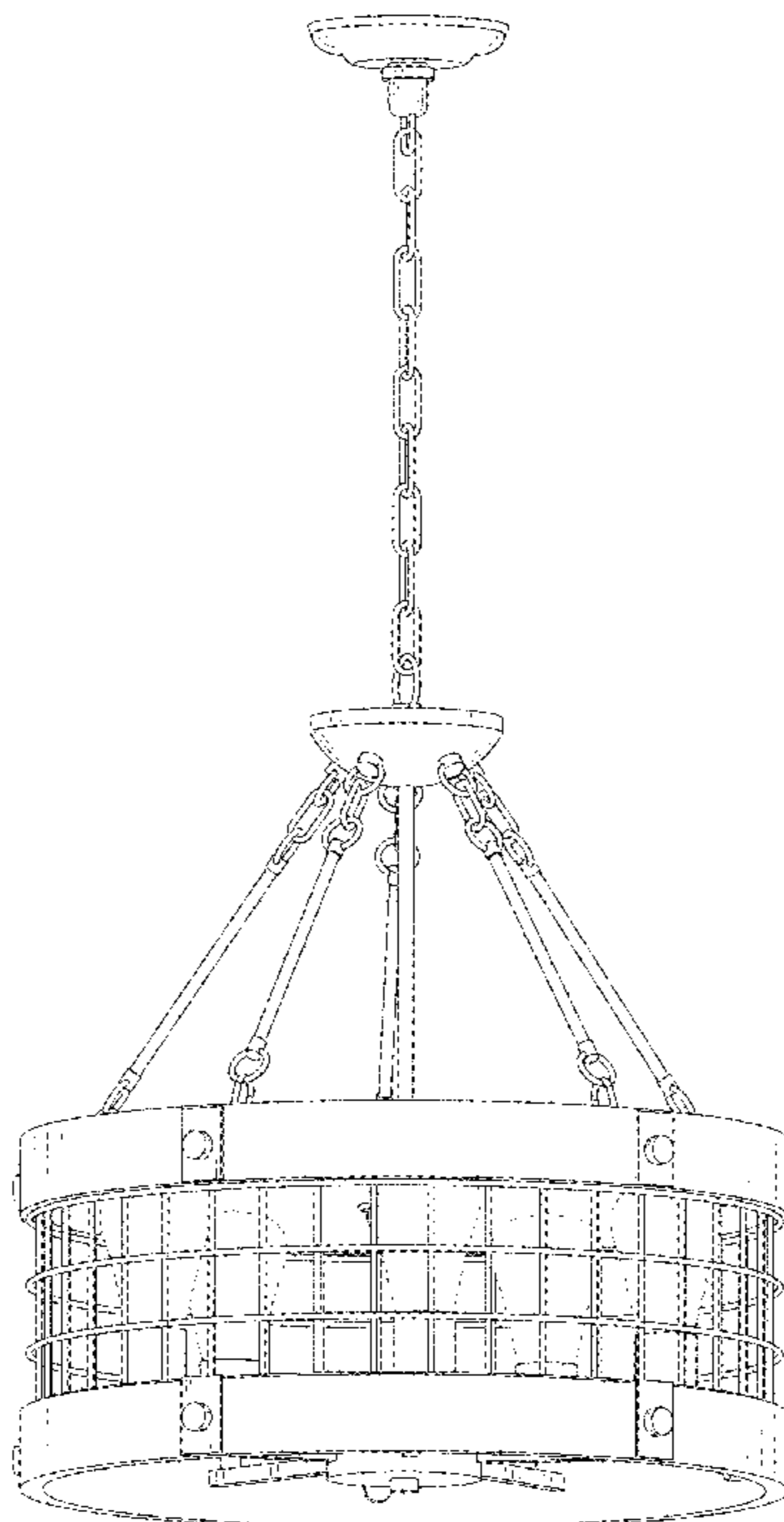
(57) **CLAIM**

The ornamental design for a light fixture, as shown and described.

DESCRIPTION

FIG. 1 is a perspective view of a light fixture embodying the design of the present invention;
FIG. 2 is a front side elevational view of the light fixture illustrated in FIG. 1;
FIG. 3 is a right side elevational view of the light fixture illustrated in FIG. 1;
FIG. 4 is a left side elevational view of the light fixture illustrated in FIG. 1;
FIG. 5 is a top plan view of the light fixture illustrated in FIG. 1; and,
FIG. 6 is a bottom plan view of the light fixture illustrated in FIG. 1.
The broken lines in the drawings depict portions of the light fixture that form no part of the claimed design.

1 Claim, 6 Drawing Sheets



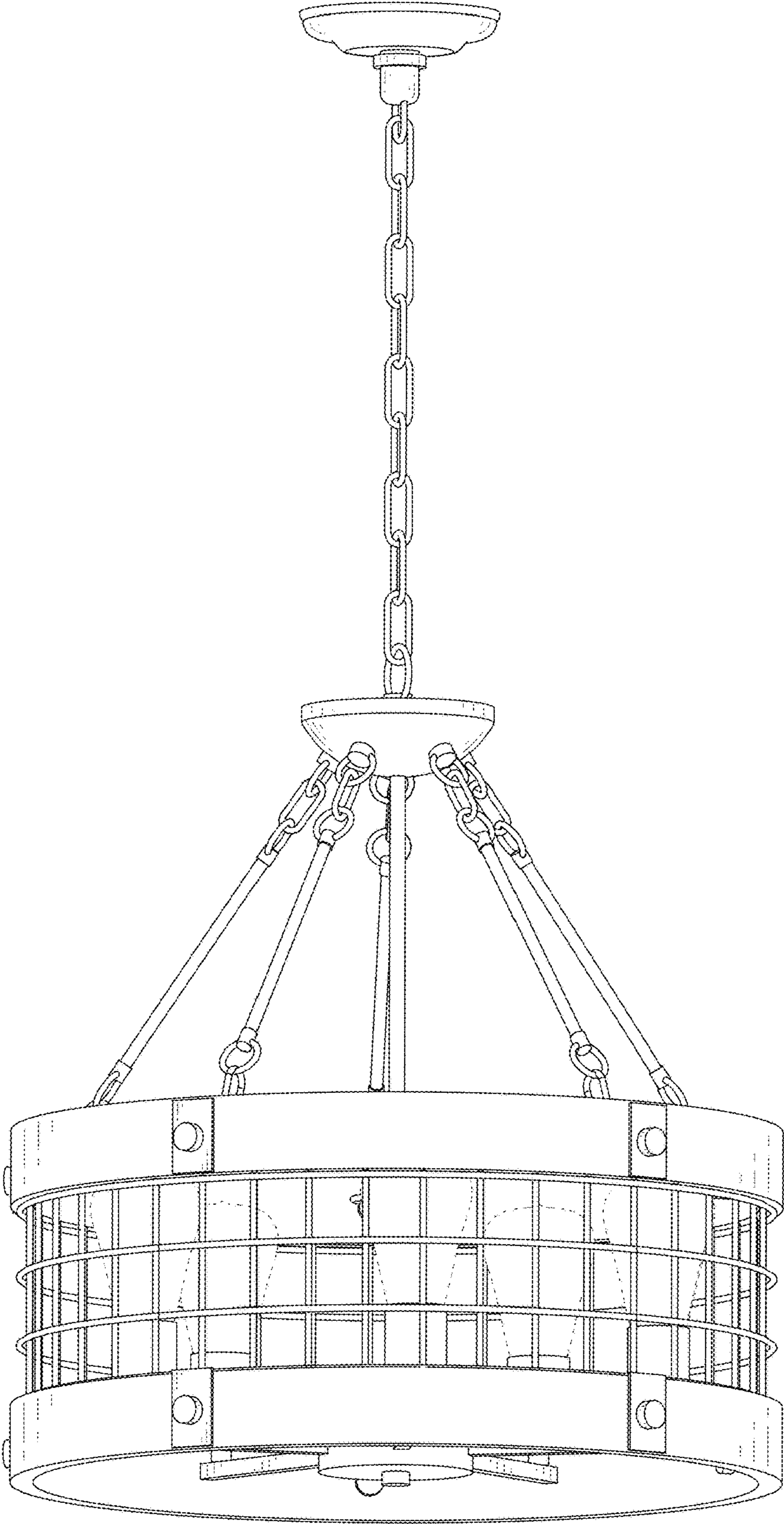


FIG. 1

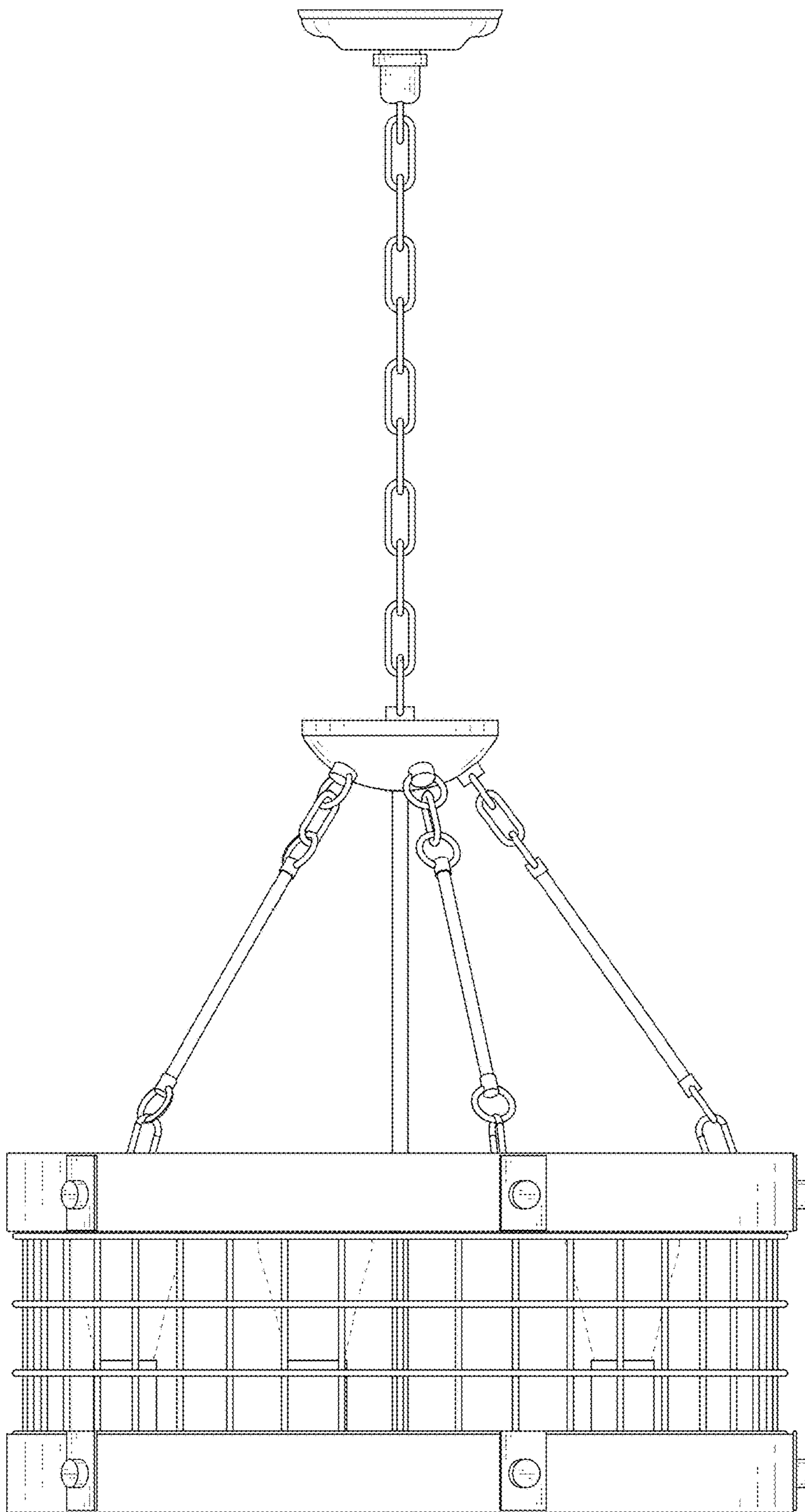


FIG. 2

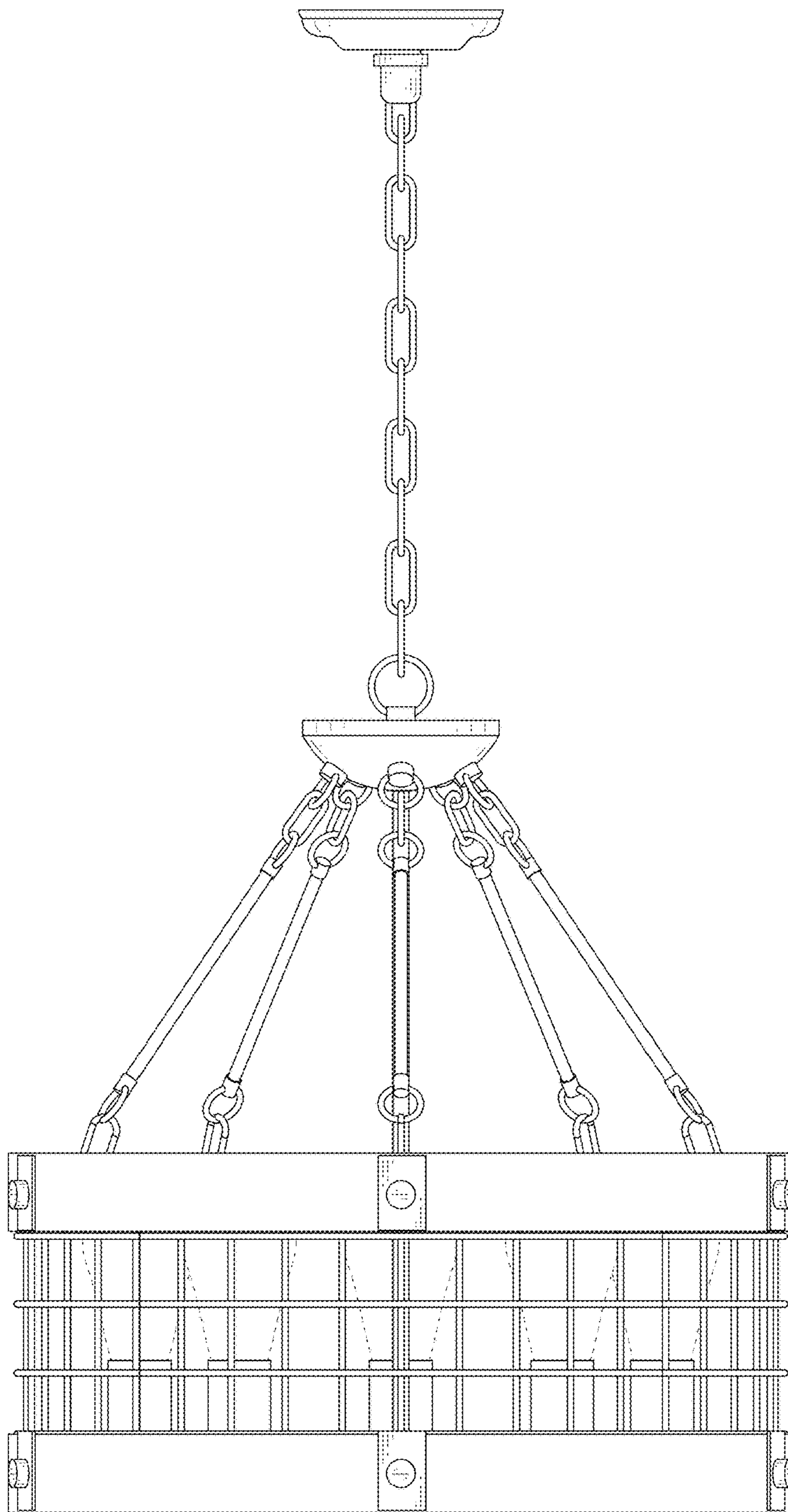


FIG. 3

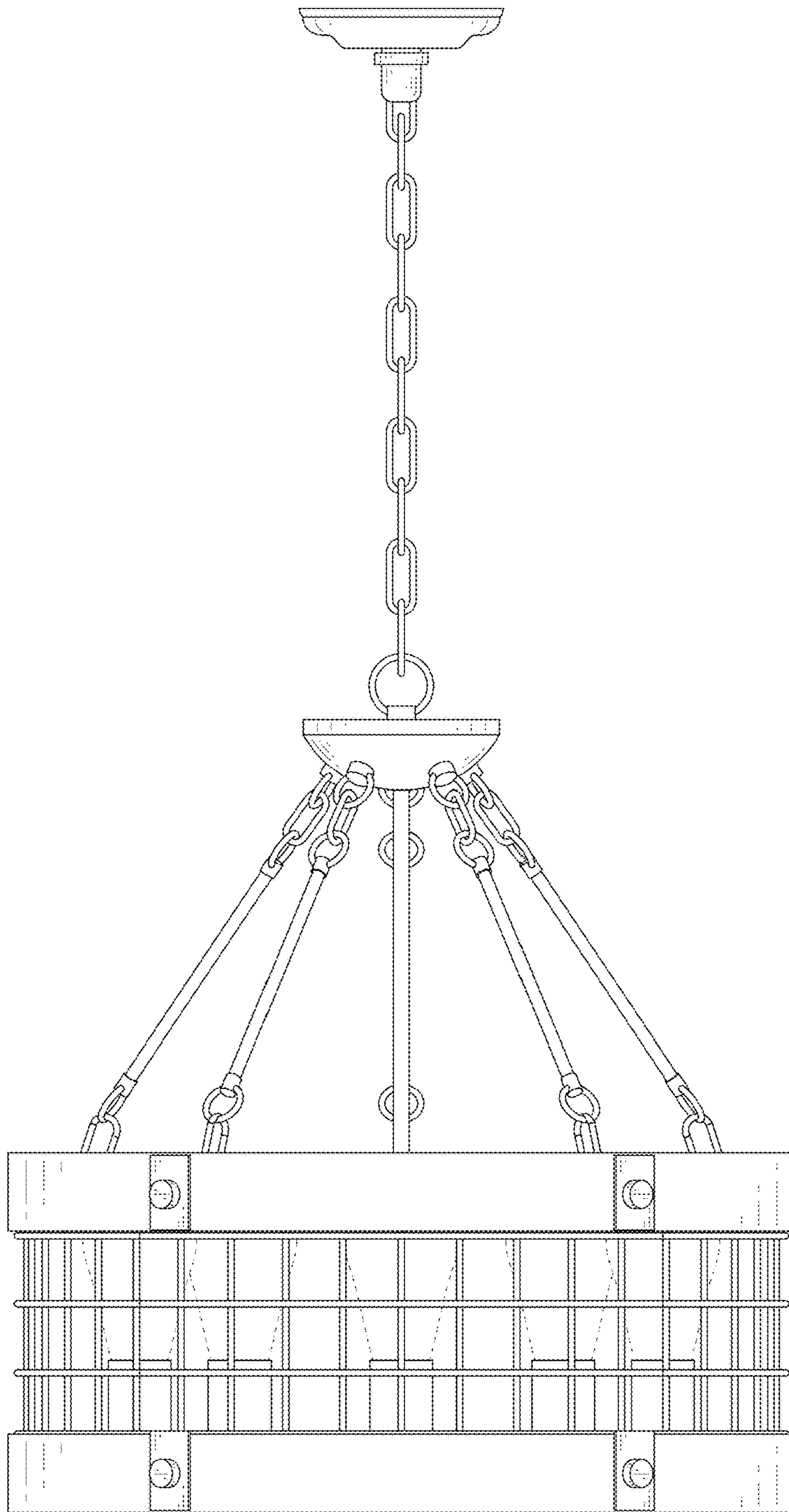


FIG. 4

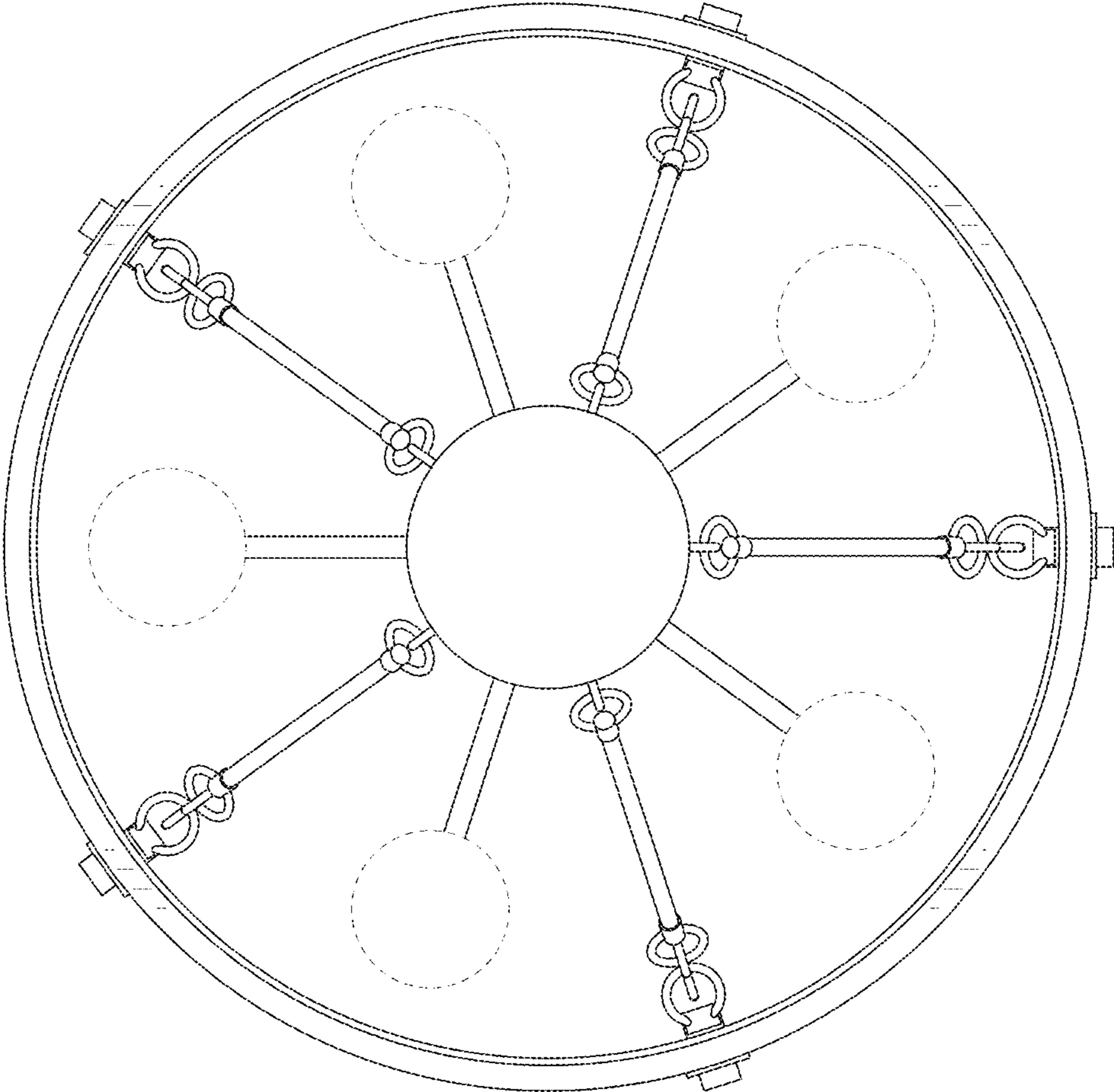


FIG. 5

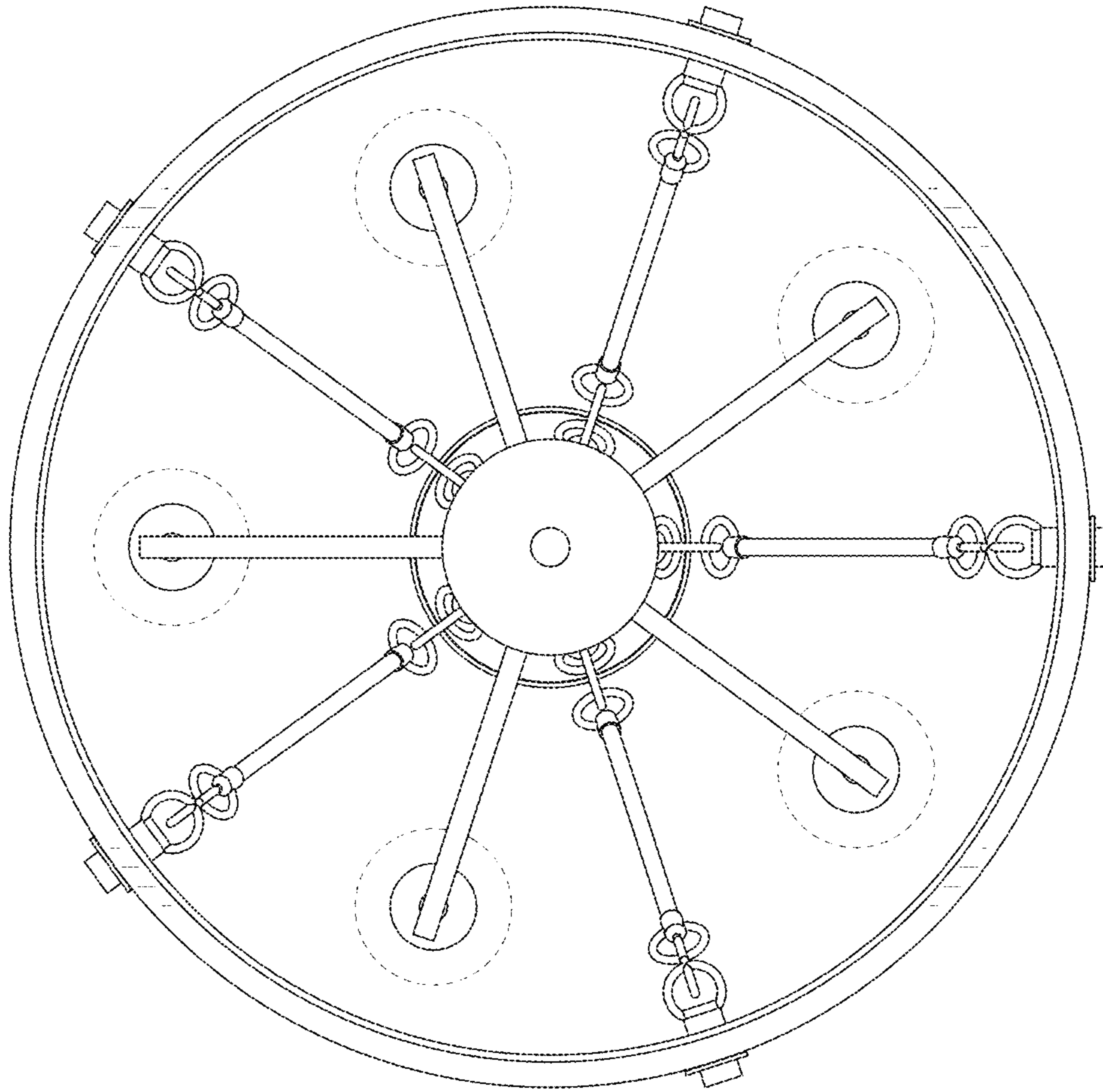


FIG. 6