



US00D906571S

(12) **United States Design Patent**
Li

(10) **Patent No.:** **US D906,571 S**

(45) **Date of Patent:** **** *Dec. 29, 2020**

(54) **LIGHT FIXTURE**

(71) Applicant: **Chunhao Li**, Shenzhen (CN)

(72) Inventor: **Chunhao Li**, Shenzhen (CN)

(*) Notice: This patent is subject to a terminal disclaimer.

(**) Term: **15 Years**

(21) Appl. No.: **29/642,891**

(22) Filed: **Apr. 3, 2018**

(51) **LOC (12) Cl.** **26-03**

(52) **U.S. Cl.**
USPC **D26/81**

(58) **Field of Classification Search**
USPC D26/81-92, 143, 144
CPC F21S 8/043; F21S 8/046; F21S 8/06; F21S
8/061; F21S 8/063; F21S 8/065; F21S
8/068

See application file for complete search history.

(56) **References Cited**

U.S. PATENT DOCUMENTS

| | | | | |
|----------------|---------|-------------|-------|------------------------|
| D45,313 S * | 2/1914 | Schoenhardt | | D26/88 |
| D75,063 S * | 5/1928 | Rosenblatt | | D26/81 |
| D167,081 S * | 6/1952 | Huegel | | 362/408 |
| D304,092 S * | 10/1989 | Glassman | | D26/85 |
| D483,514 S * | 12/2003 | Cuevas | | D26/81 |
| 6,945,676 B1 * | 9/2005 | Scott | | F16B 45/02 24/598.4 |

| | | | | |
|--------------|---------|-----------|-------|----------------------|
| D539,960 S * | 4/2007 | Hsu | | D26/81 |
| D592,796 S * | 5/2009 | Chandler | | D26/144 |
| D605,333 S * | 12/2009 | Miranda | | F16B 45/02 D26/88 |
| D686,771 S * | 7/2013 | Lastimosa | | D26/88 |
| D825,812 S * | 8/2018 | Wright | | D26/81 |

OTHER PUBLICATIONS

Anmytek Ceiling Light Model No. C0003. Date first available at amazon.com—May 6, 2017. (Year: 2017).*

* cited by examiner

Primary Examiner — Clare E Heflin

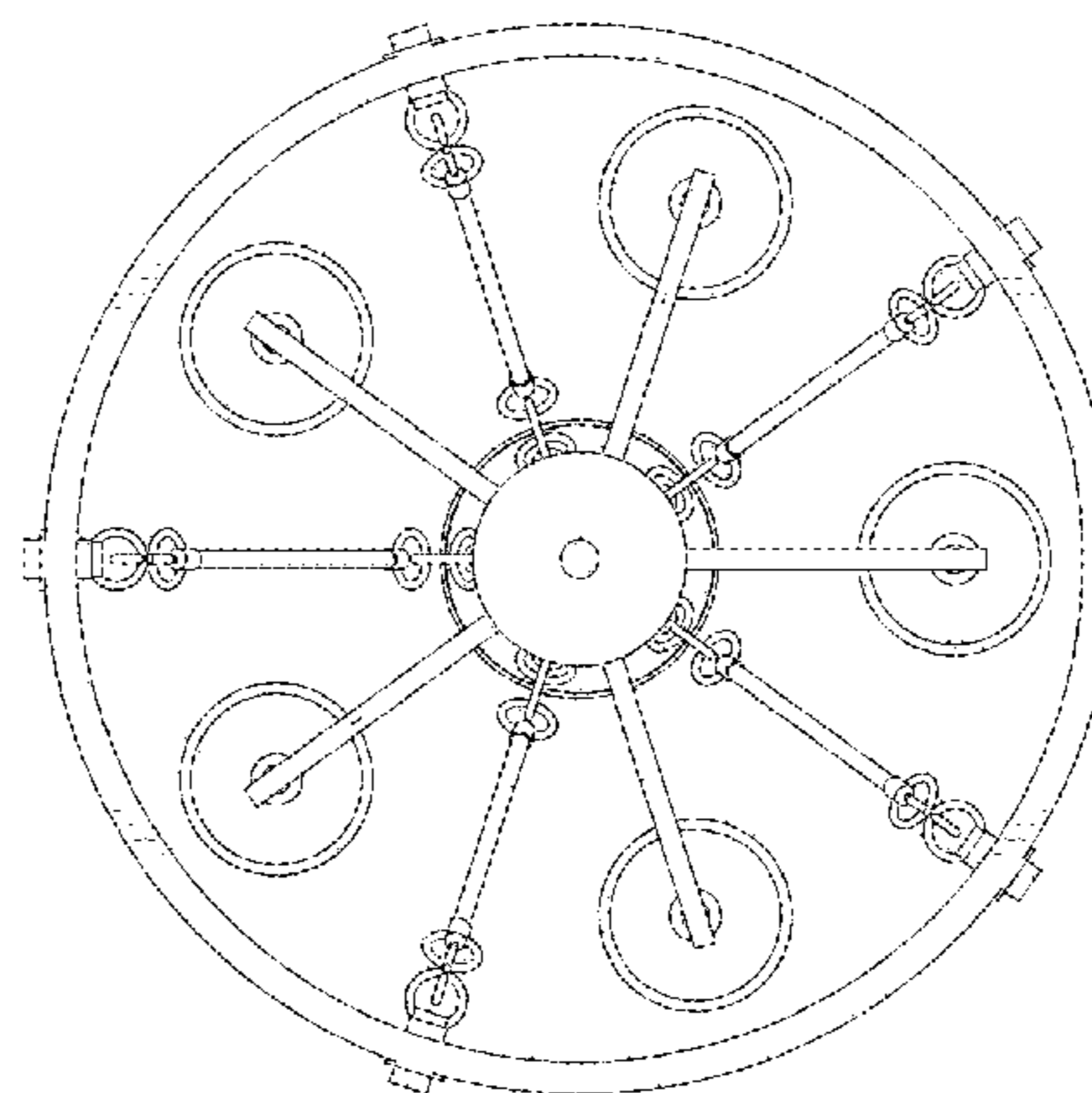
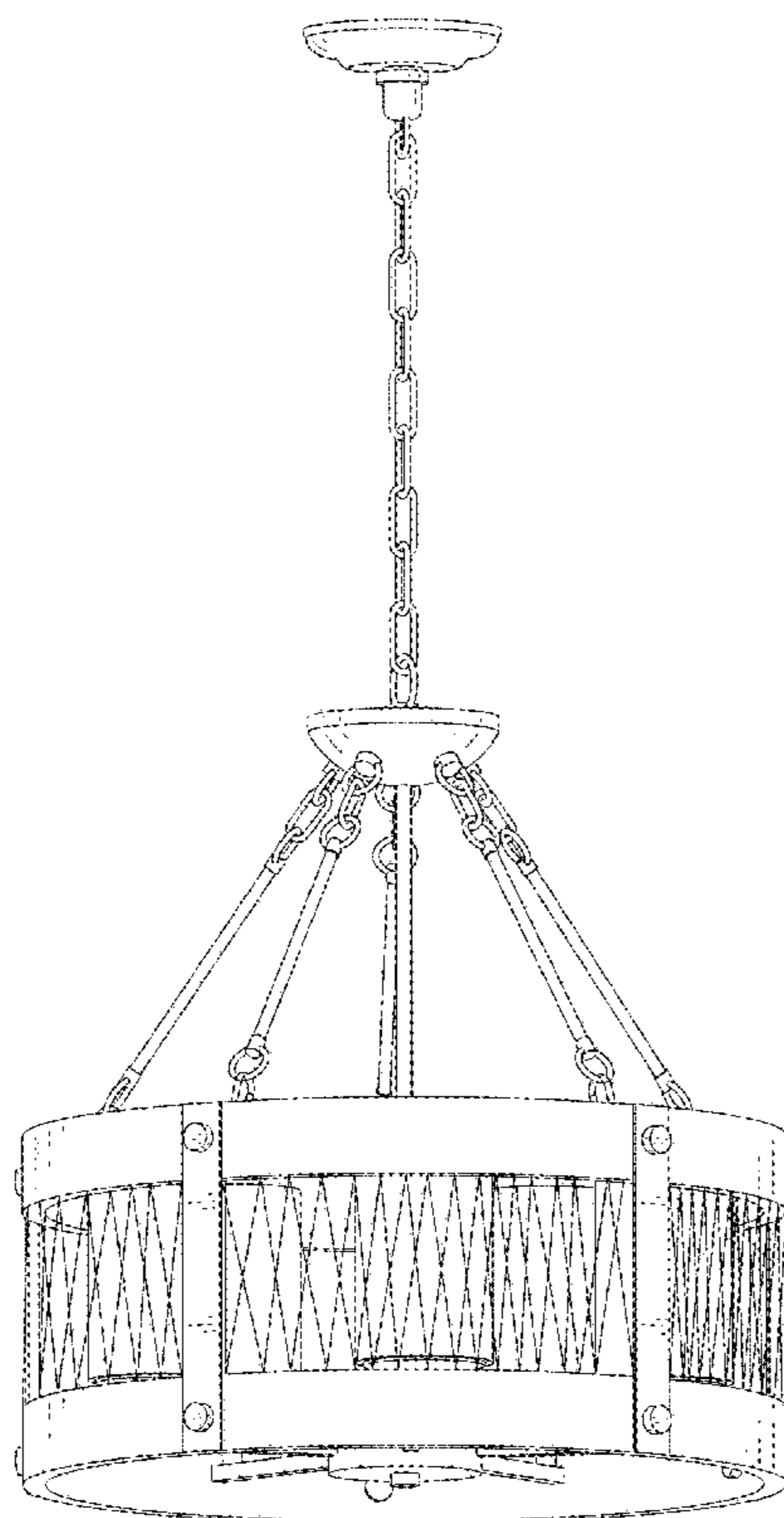
(57) **CLAIM**

The ornamental design for a light fixture, as shown and described.

DESCRIPTION

FIG. 1 is a perspective view of a light fixture embodying the design of the present invention;
 FIG. 2 is a front side elevational view of the light fixture illustrated in FIG. 1;
 FIG. 3 is a right side elevational view of the light fixture illustrated in FIG. 1;
 FIG. 4 is a left side elevational view of the light fixture illustrated in FIG. 1;
 FIG. 5 is a top plan view of the light fixture illustrated in FIG. 1; and,
 FIG. 6 is a bottom plan view of the light fixture illustrated in FIG. 1.

1 Claim, 6 Drawing Sheets



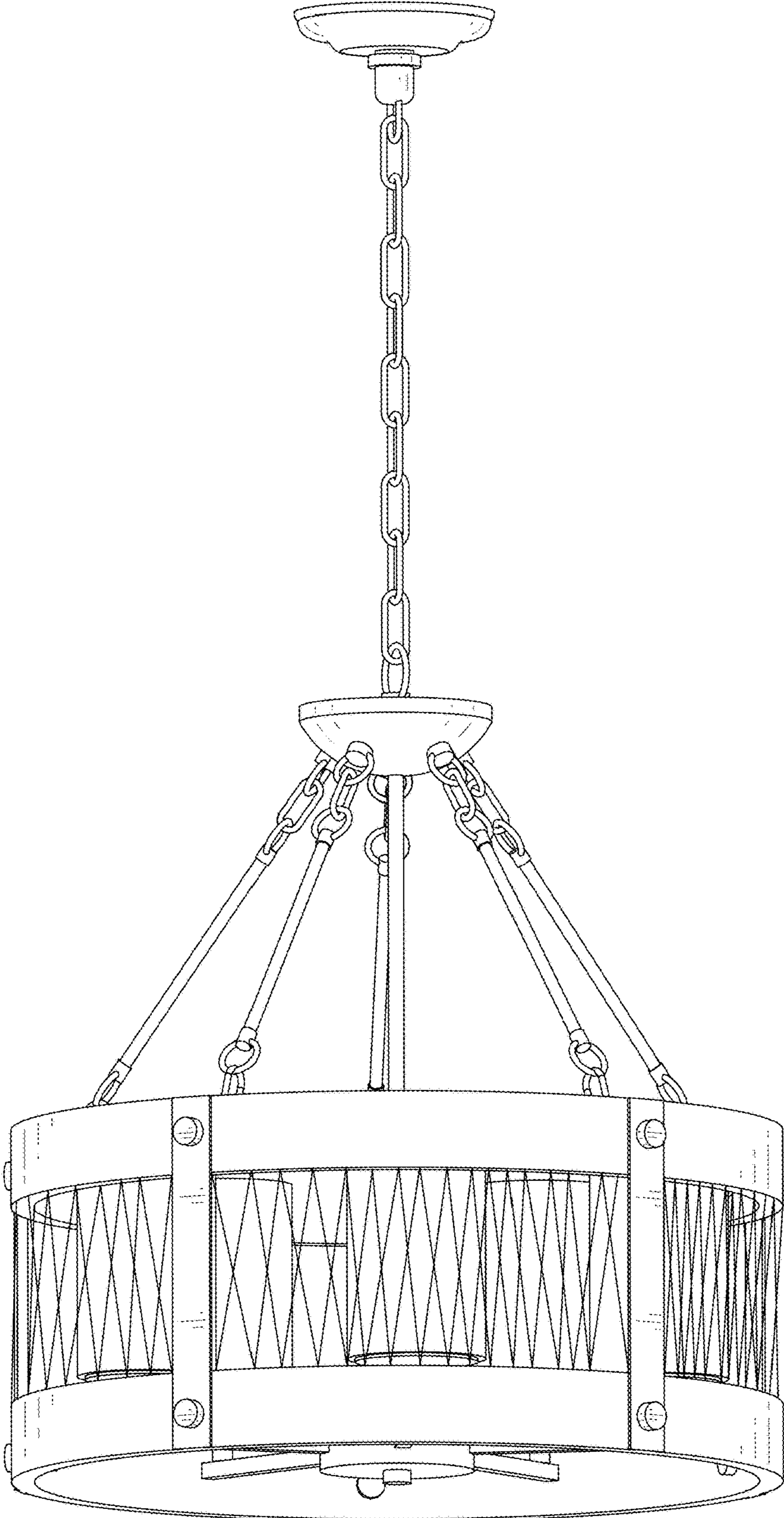


FIG. 1

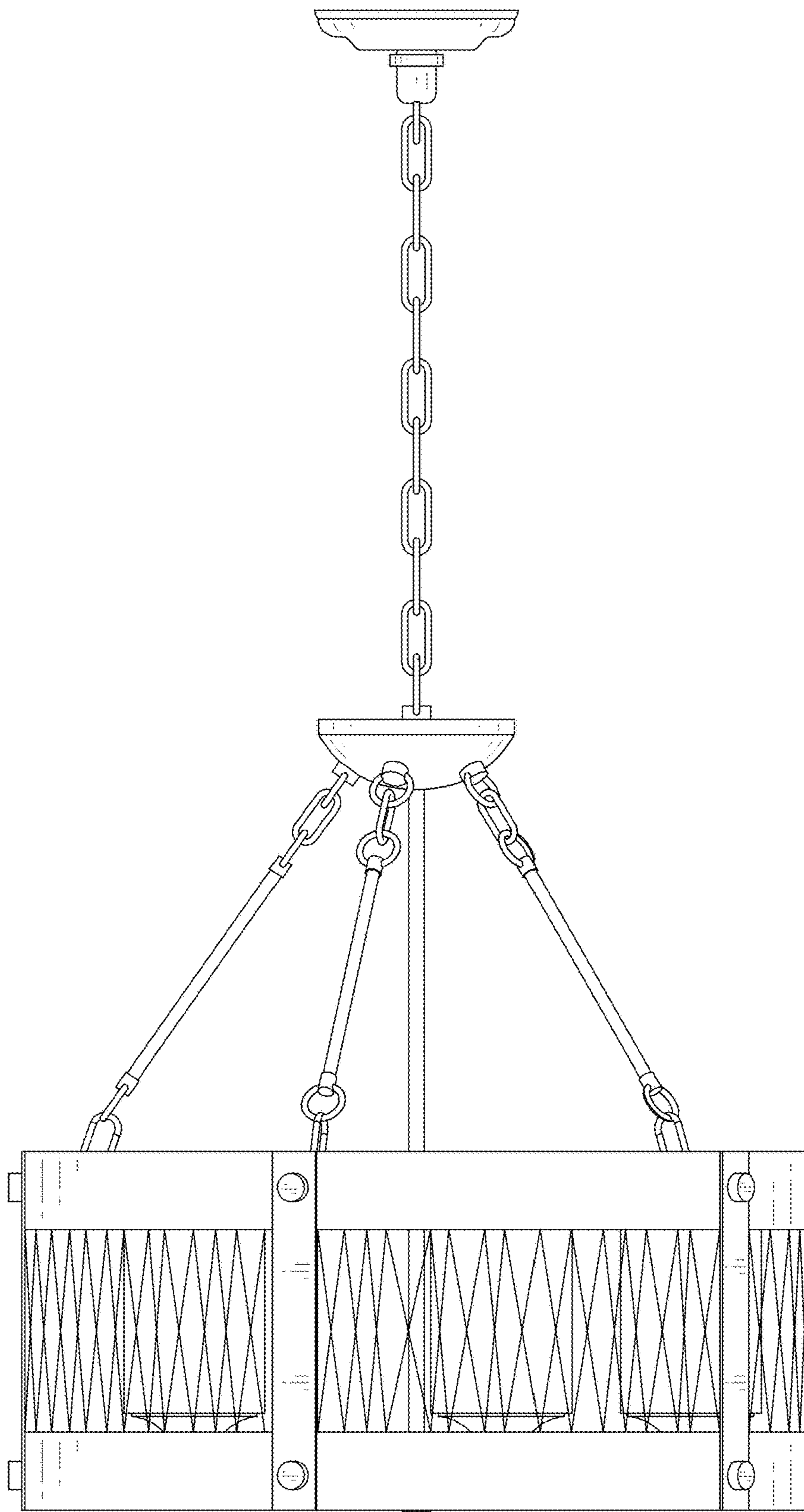


FIG. 2

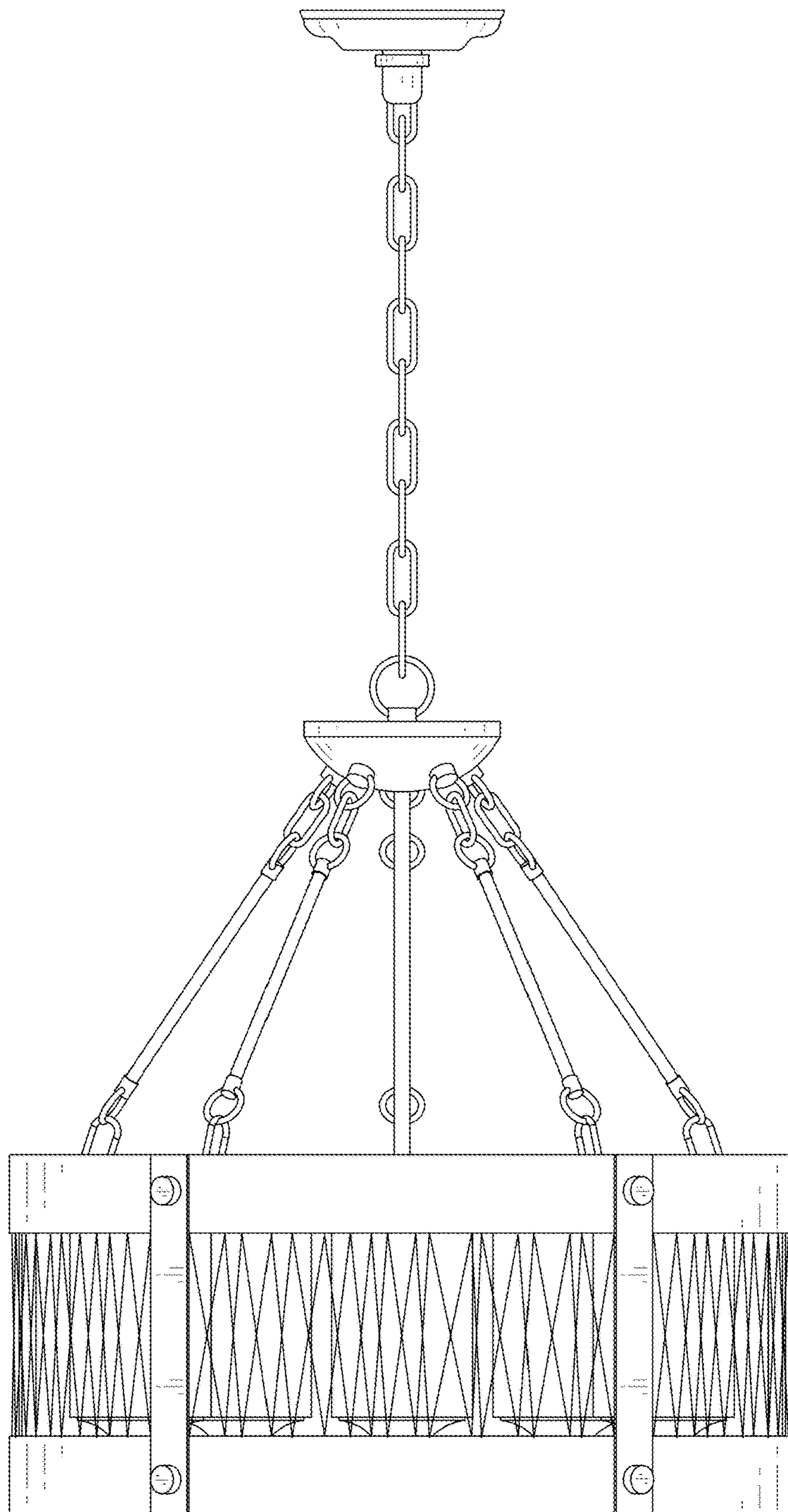


FIG. 3

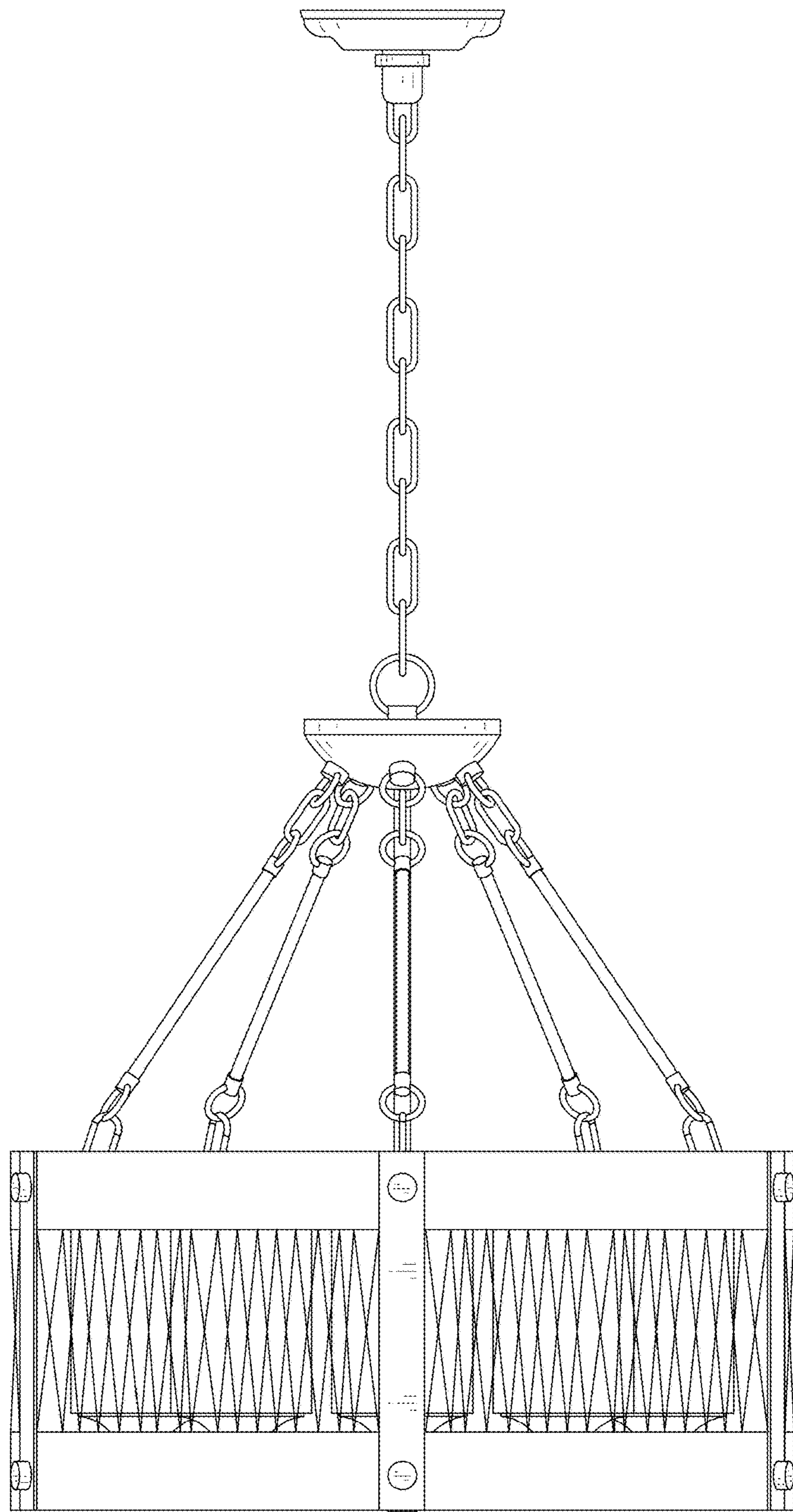


FIG. 4

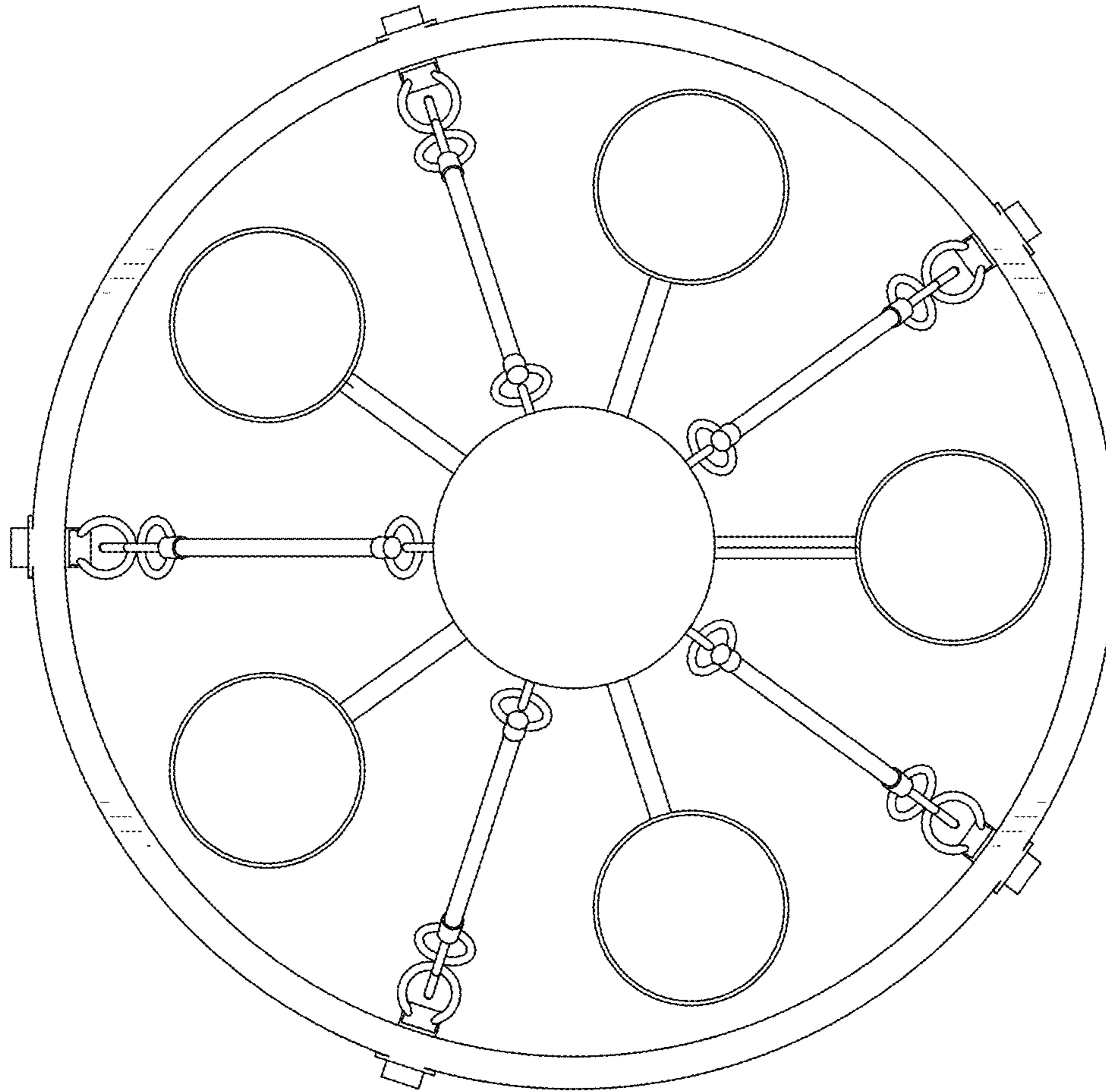


FIG. 5

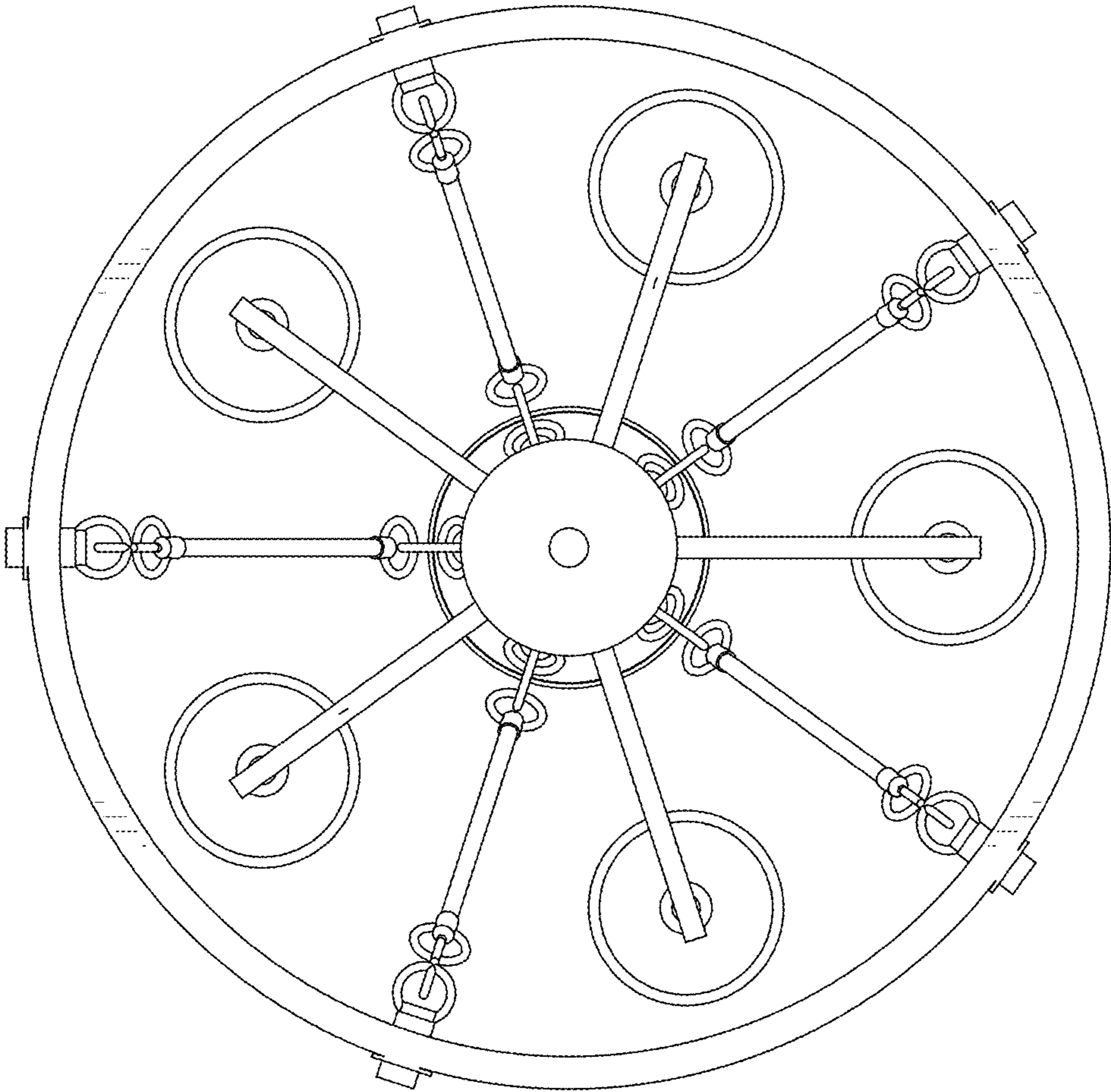


FIG. 6