



US00D906570S

(12) **United States Design Patent** (10) **Patent No.:** **US D906,570 S**
Li (45) **Date of Patent:** **** Dec. 29, 2020**

(54) **HIGH BAY LAMP**
(71) Applicant: **Torshare Ltd.**, Guangdong (CN)
(72) Inventor: **Mantie Li**, Guangdong (CN)
(73) Assignee: **Torshare Ltd.**, Shenzhen (CN)
(**) Term: **15 Years**

(21) Appl. No.: **29/706,086**
(22) Filed: **Sep. 18, 2019**
(51) **LOC (12) Cl.** **26-05**
(52) **U.S. Cl.**
USPC **D26/72**
(58) **Field of Classification Search**
USPC D26/72, 88
CPC F21S 8/03; F21S 8/033; F21S 8/036; F21S
8/04; F21S 8/043; F21S 8/06; F21S
8/061; F21S 8/063; F21S 8/086; F21V
29/76; F21V 29/77; F21V 29/777; F21V
29/78
See application file for complete search history.

(56) **References Cited**
U.S. PATENT DOCUMENTS
D690,453 S * 9/2013 Guercio D26/88
D780,972 S * 3/2017 Morello D26/72

D842,528 S * 3/2019 Yu D26/88
D859,726 S * 9/2019 Ma D26/88
D868,335 S * 11/2019 Li D26/72
D882,854 S * 4/2020 Yang D26/72
2016/0290603 A1* 10/2016 Morello F21V 23/02
2016/0363300 A1* 12/2016 Ma F21S 8/043
2019/0293267 A1* 9/2019 Marshal F21V 23/0471
2020/0200378 A1* 6/2020 Stokes F21V 29/745

* cited by examiner

Primary Examiner — Clare E Heflin

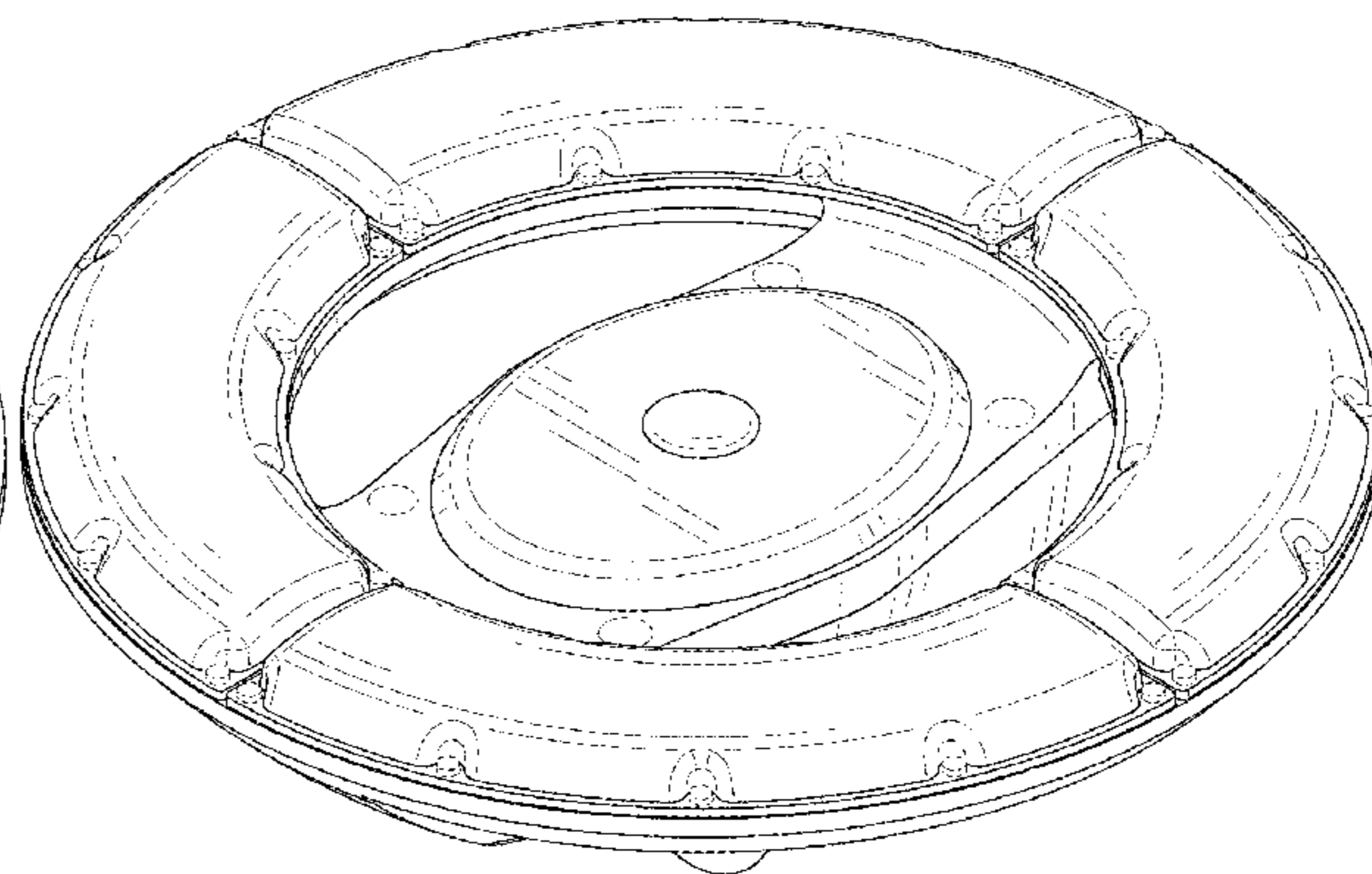
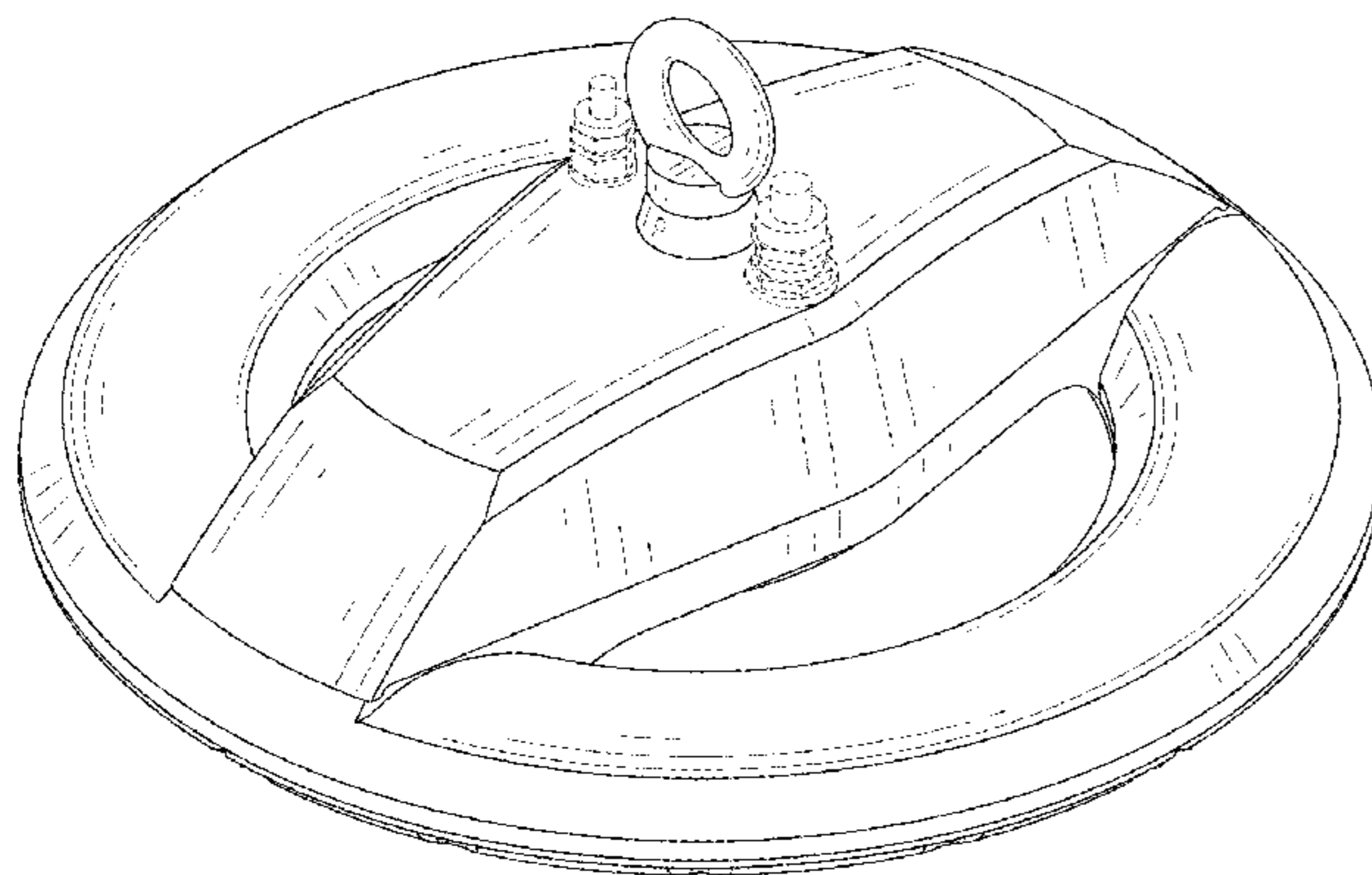
(57) **CLAIM**

The ornamental design for a high bay lamp, as shown and described.

DESCRIPTION

FIG. 1 is a top, front and left side perspective view of a high bay lamp showing my new design;
FIG. 2 is a bottom, rear and right side perspective view thereof;
FIG. 3 is a front elevational view thereof;
FIG. 4 is a rear elevational view thereof;
FIG. 5 is a left side view thereof;
FIG. 6 is a right side view thereof;
FIG. 7 is a top plan view thereof; and,
FIG. 8 is a bottom plan view thereof.
The broken lines in the drawings illustrate portions of the high bay lamp which form no part of the claimed design.

1 Claim, 8 Drawing Sheets



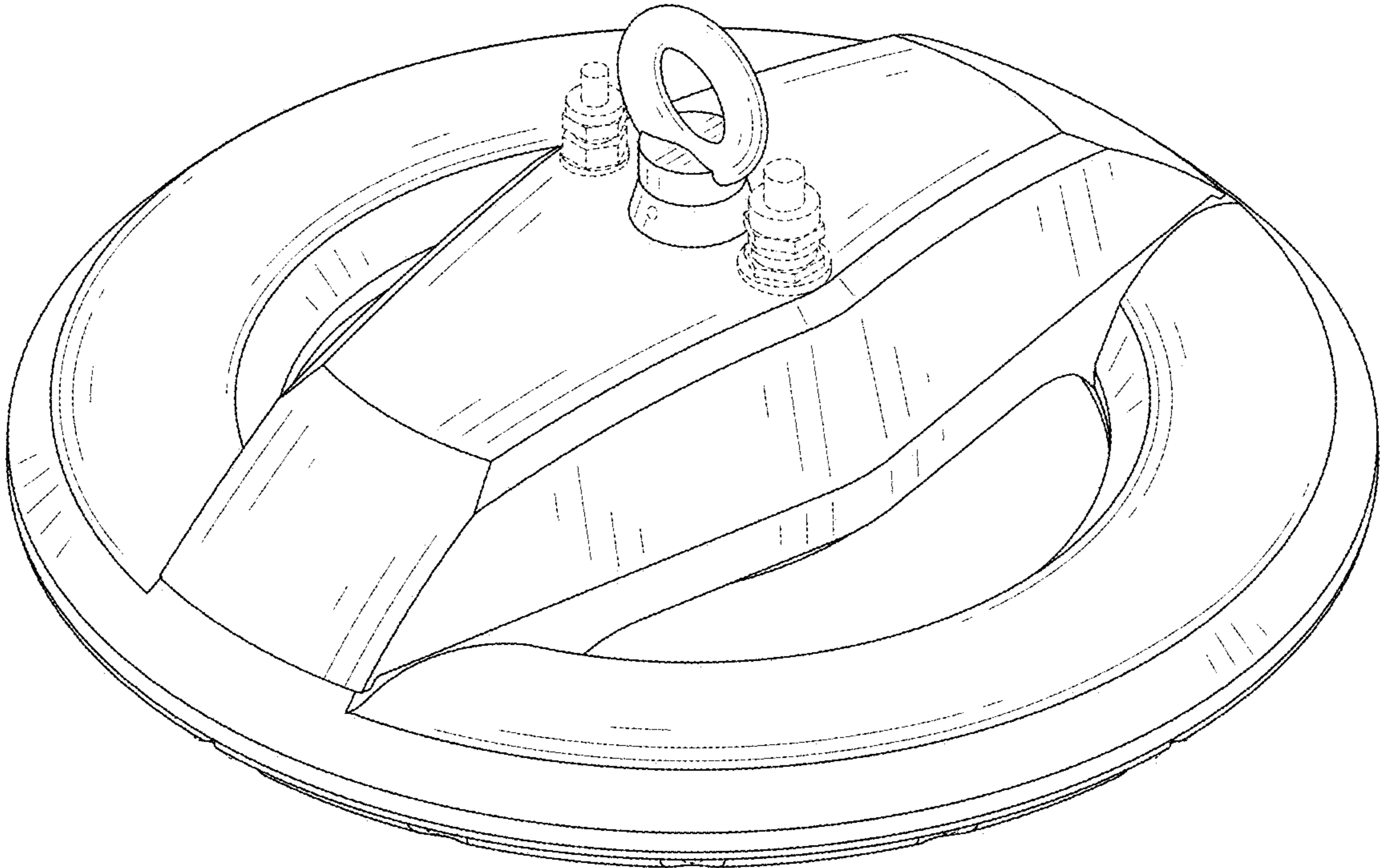


FIG. 1

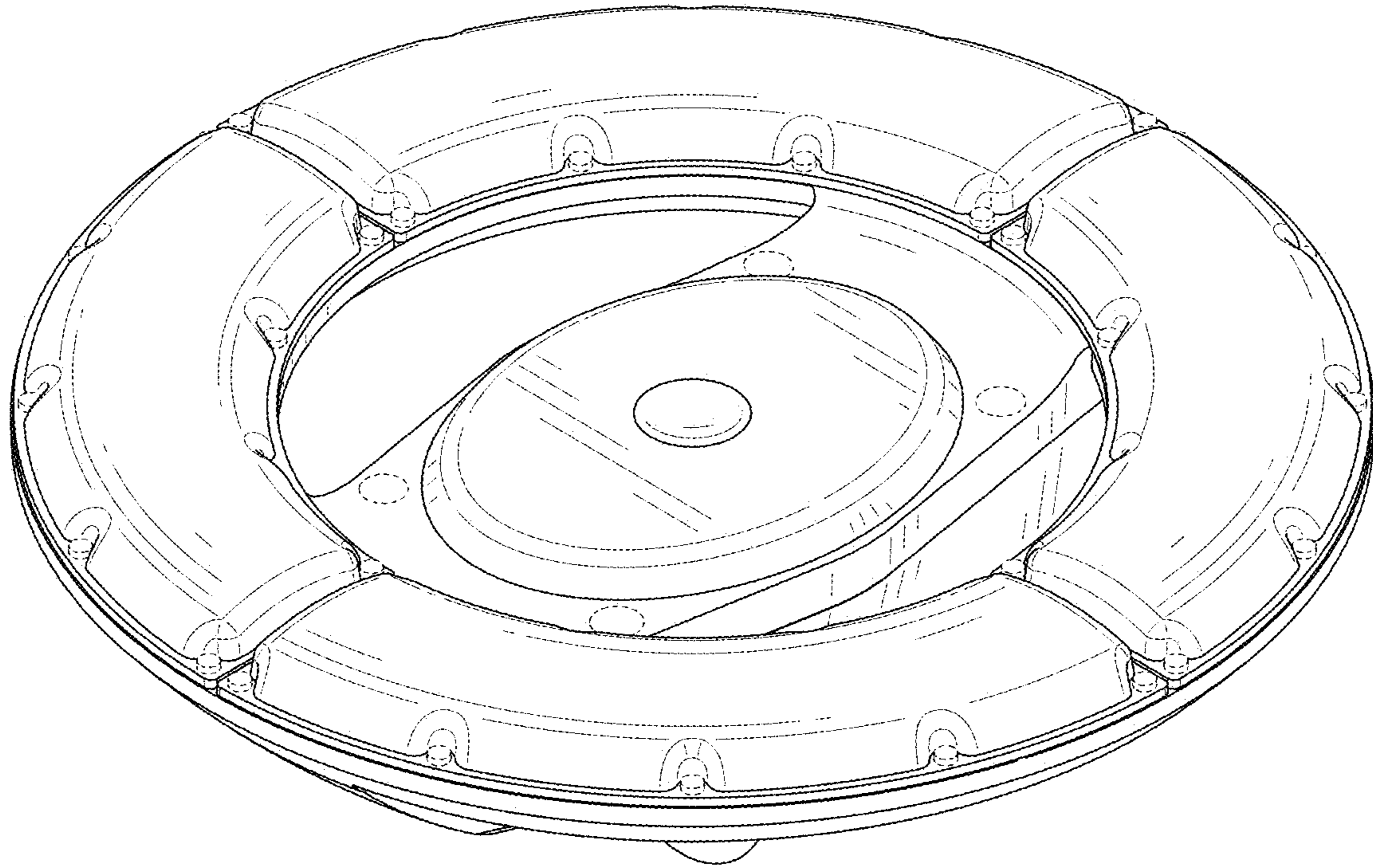


FIG. 2

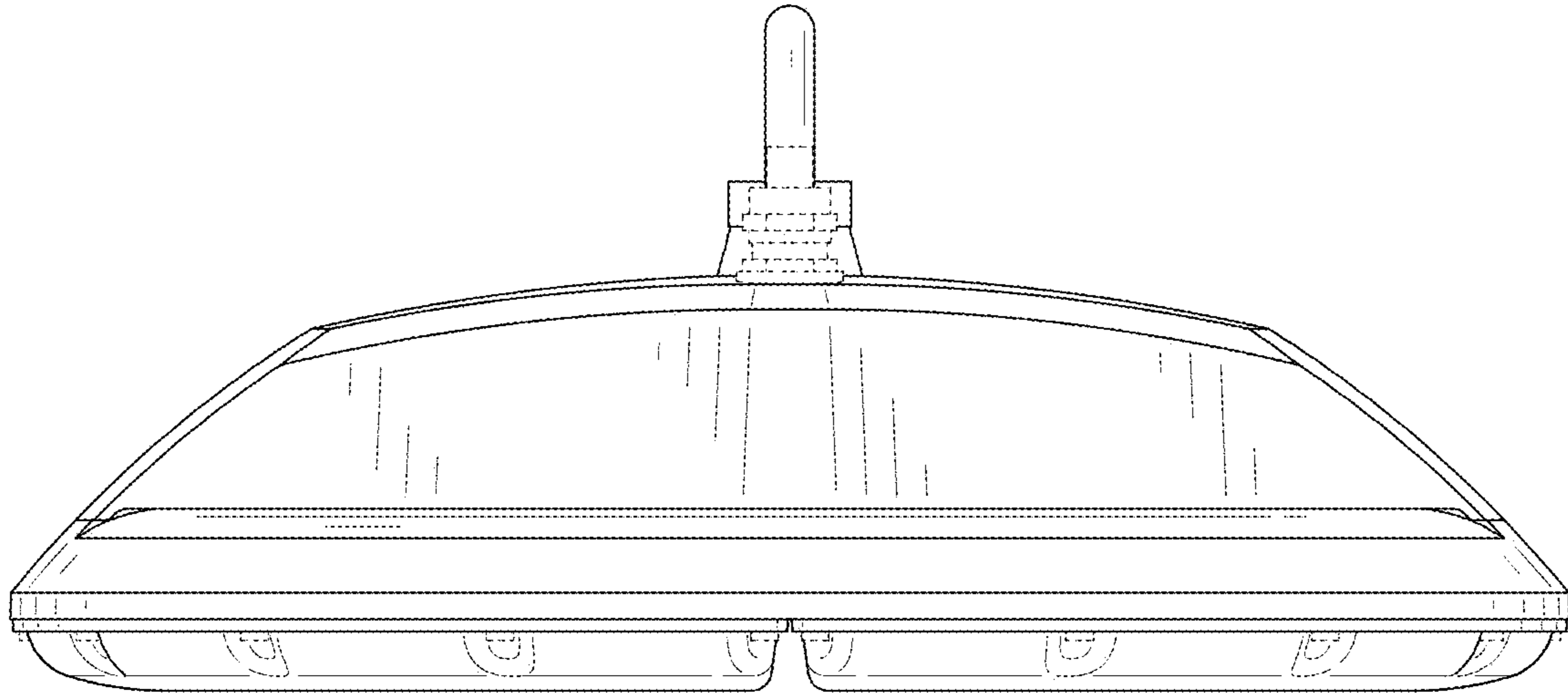


FIG. 3

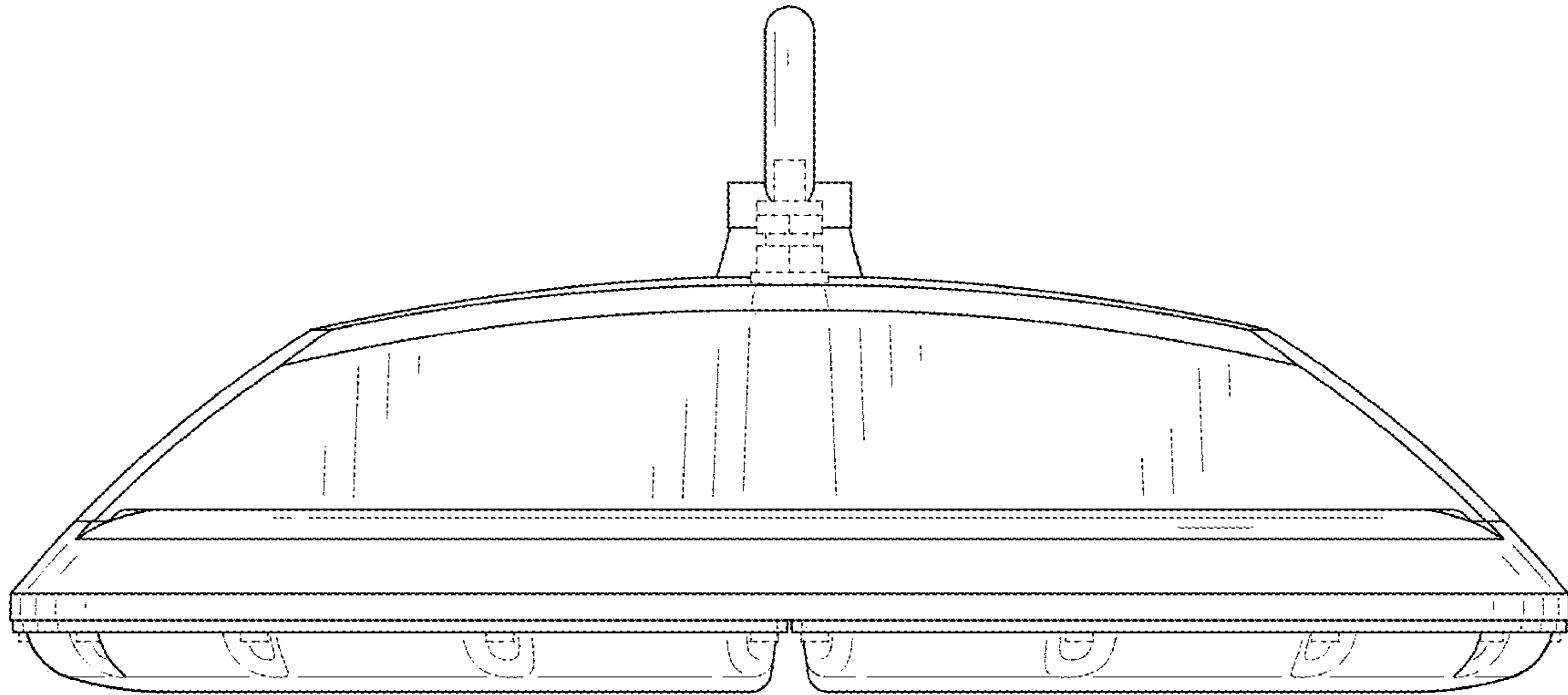


FIG. 4

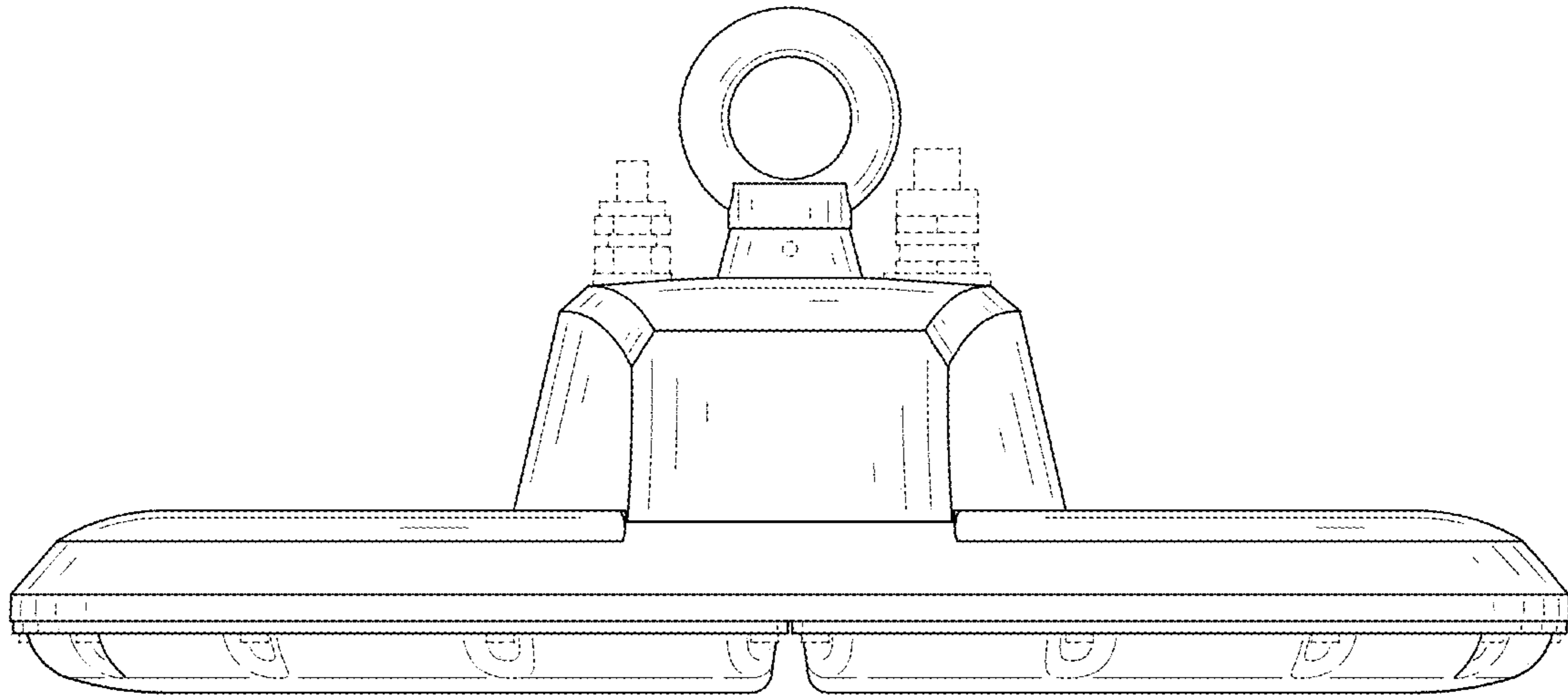


FIG. 5

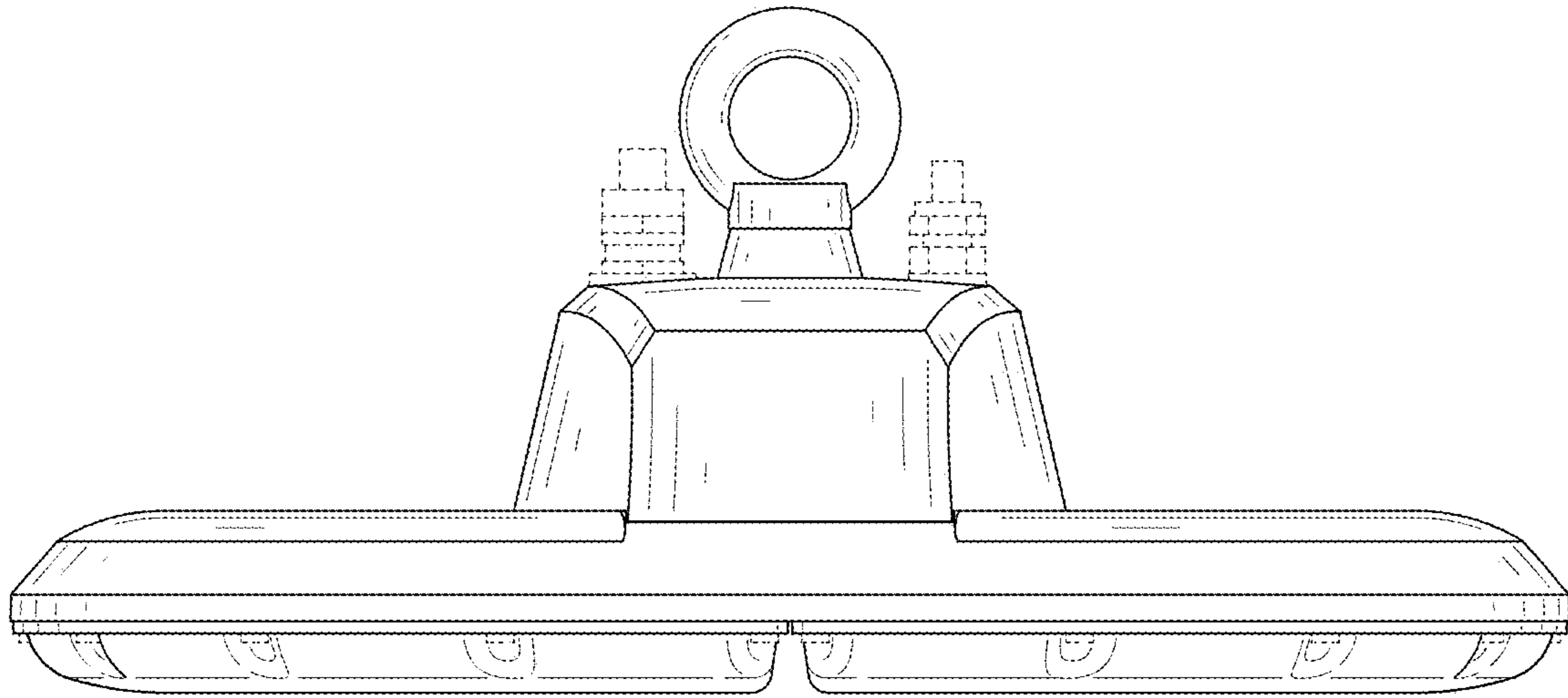


FIG. 6

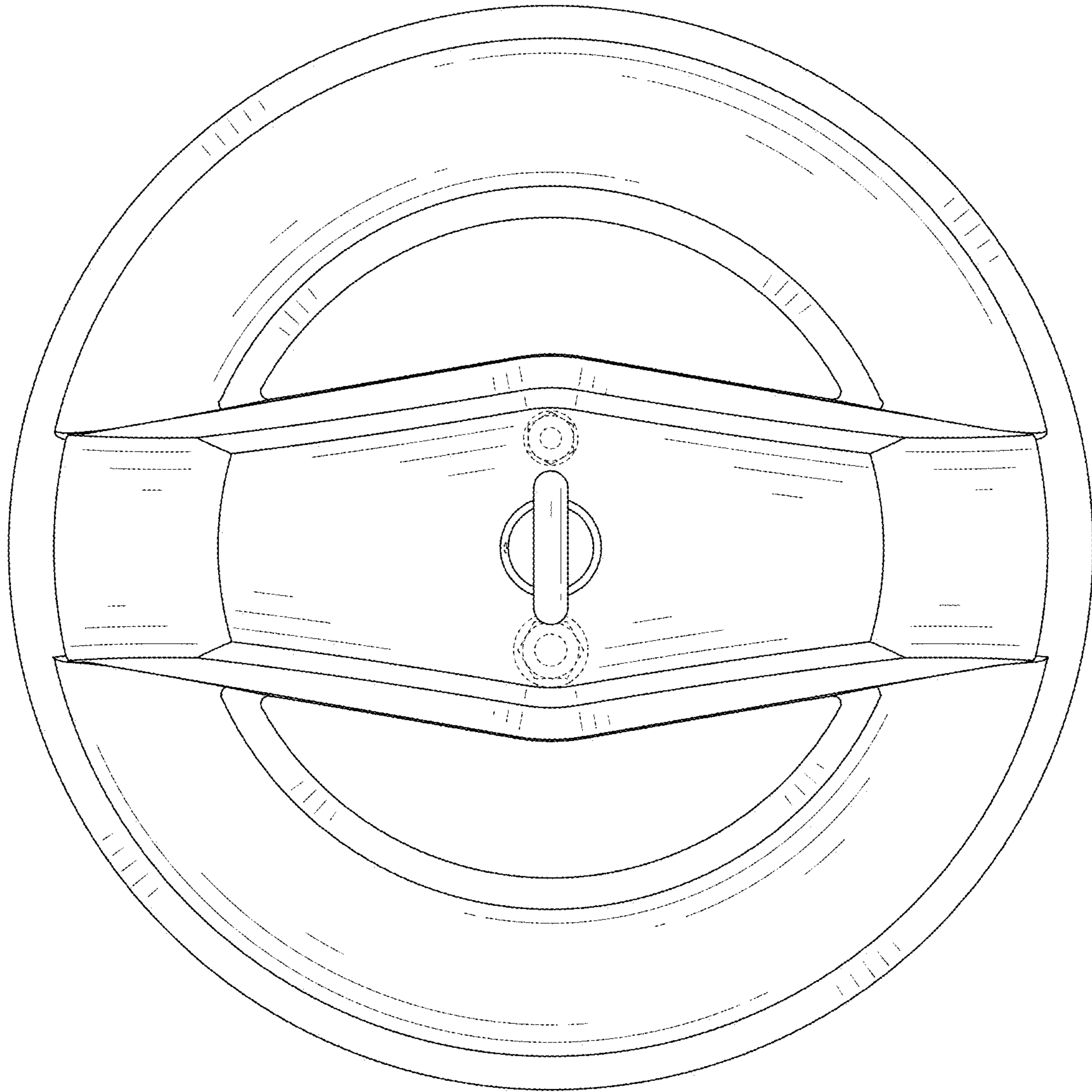


FIG. 7

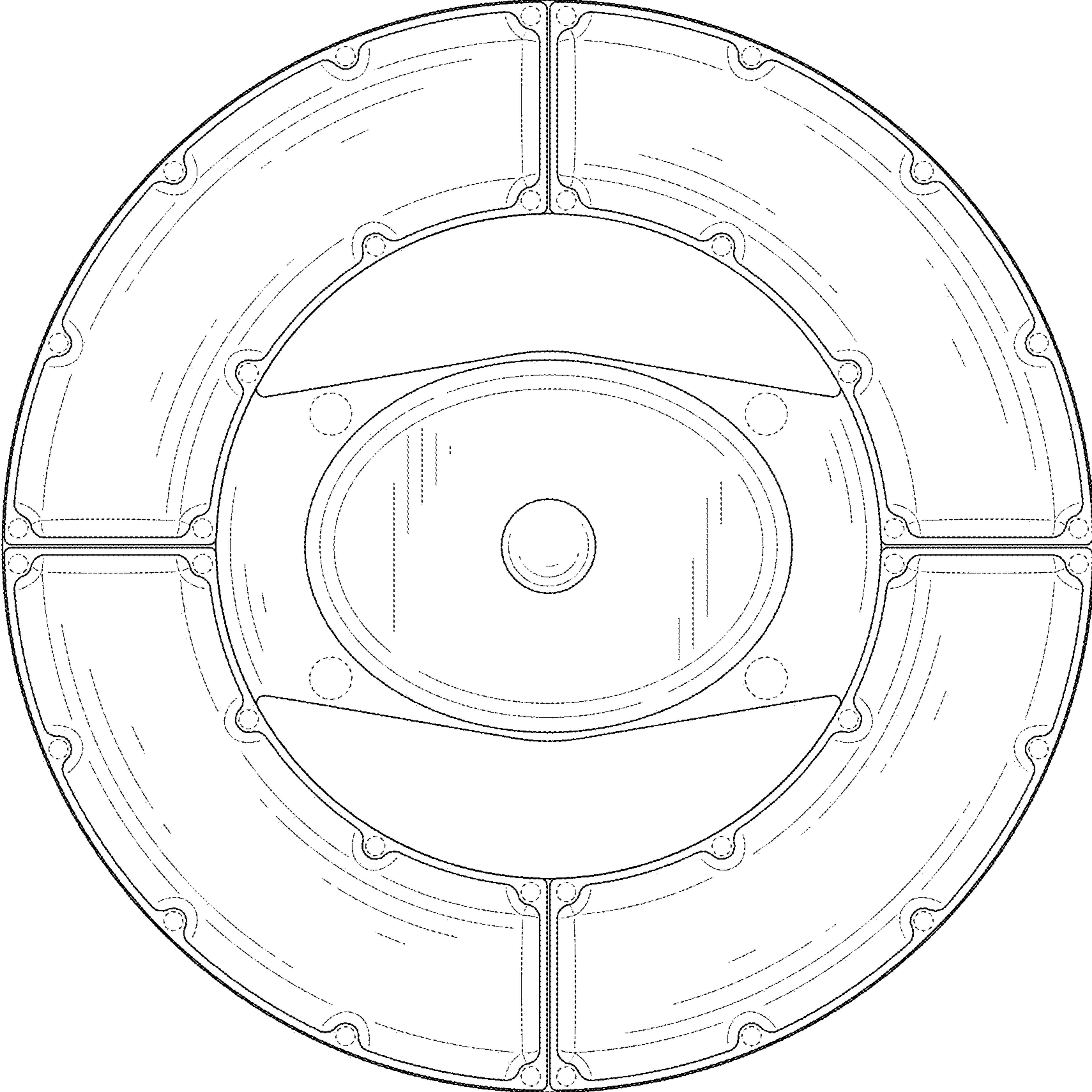


FIG. 8