



US00D906567S

(12) **United States Design Patent** (10) **Patent No.:** **US D906,567 S**
Yu (45) **Date of Patent:** **** Dec. 29, 2020**

(54) **HOUSING FOR A LED-BASED LIGHTING APPARATUS**

(71) Applicant: **Chung Han Yu**, City of Industry, CA (US)

(72) Inventor: **Chung Han Yu**, City of Industry, CA (US)

(**) Term: **15 Years**

(21) Appl. No.: **29/687,053**

(22) Filed: **Apr. 10, 2019**

(51) **LOC (12) Cl.** **26-05**

(52) **U.S. Cl.**
USPC **D26/72**

(58) **Field of Classification Search**

USPC D26/24, 72, 74, 75-78, 81-92, 118, 122, D26/142, 149; D13/134; D10/111-115

CPC F21V 23/003; F21V 23/023; F21V 29/71; F21V 29/713; F21V 29/717; F21V 29/73; F21V 29/74; F21V 29/745; F21V 29/75; F21V 29/76; F21V 1/02; F21V 5/00; F21Y 2115/10; F21S 8/02; F21S 8/04; F21S 8/026

See application file for complete search history.

(56) **References Cited**

U.S. PATENT DOCUMENTS

D163,220 S *	5/1951	Pryne	D26/122
3,671,739 A *	6/1972	Lawrence	F21V 23/04
				362/295
D375,379 S *	11/1996	DiCola	D26/85
D405,207 S *	2/1999	Mora	D26/85
D444,903 S *	7/2001	Wang	D26/85

(Continued)

Primary Examiner — Kevin K Rudzinski

Assistant Examiner — Richard Kearney

(74) *Attorney, Agent, or Firm* — Saul Ewing Arnstein & Lehr LLP

(57) **CLAIM**

The ornamental design for a housing for LED-based lighting apparatus, as shown and described.

DESCRIPTION

FIG. 1 is a bottom perspective view of a housing for LED-based lighting apparatus according to a first embodiment of the invention;

FIG. 2 is a front view of the housing for a LED-based lighting apparatus of FIG. 1;

FIG. 3 is a back view of the housing for a LED-based lighting apparatus of FIG. 1;

FIG. 4 is a right side view of the housing for a LED-based lighting apparatus of FIG. 1;

FIG. 5 is a left side view of the housing for a LED-based lighting apparatus of FIG. 1;

FIG. 6 is a top view of the housing for a LED-based lighting apparatus of FIG. 1;

FIG. 7 is a bottom view of the housing for a LED-based lighting apparatus of FIG. 1;

FIG. 8 is a top perspective view of the housing for a LED-based lighting apparatus of FIG. 1;

FIG. 9 is a bottom perspective view of a housing for a LED-based lighting apparatus according to a second embodiment of the invention;

FIG. 10 is a front view of the housing for a LED-based lighting apparatus of FIG. 9;

FIG. 11 is a back view of the housing for a LED-based lighting apparatus of FIG. 9;

FIG. 12 is a right side view of the housing for a LED-based lighting apparatus of FIG. 9;

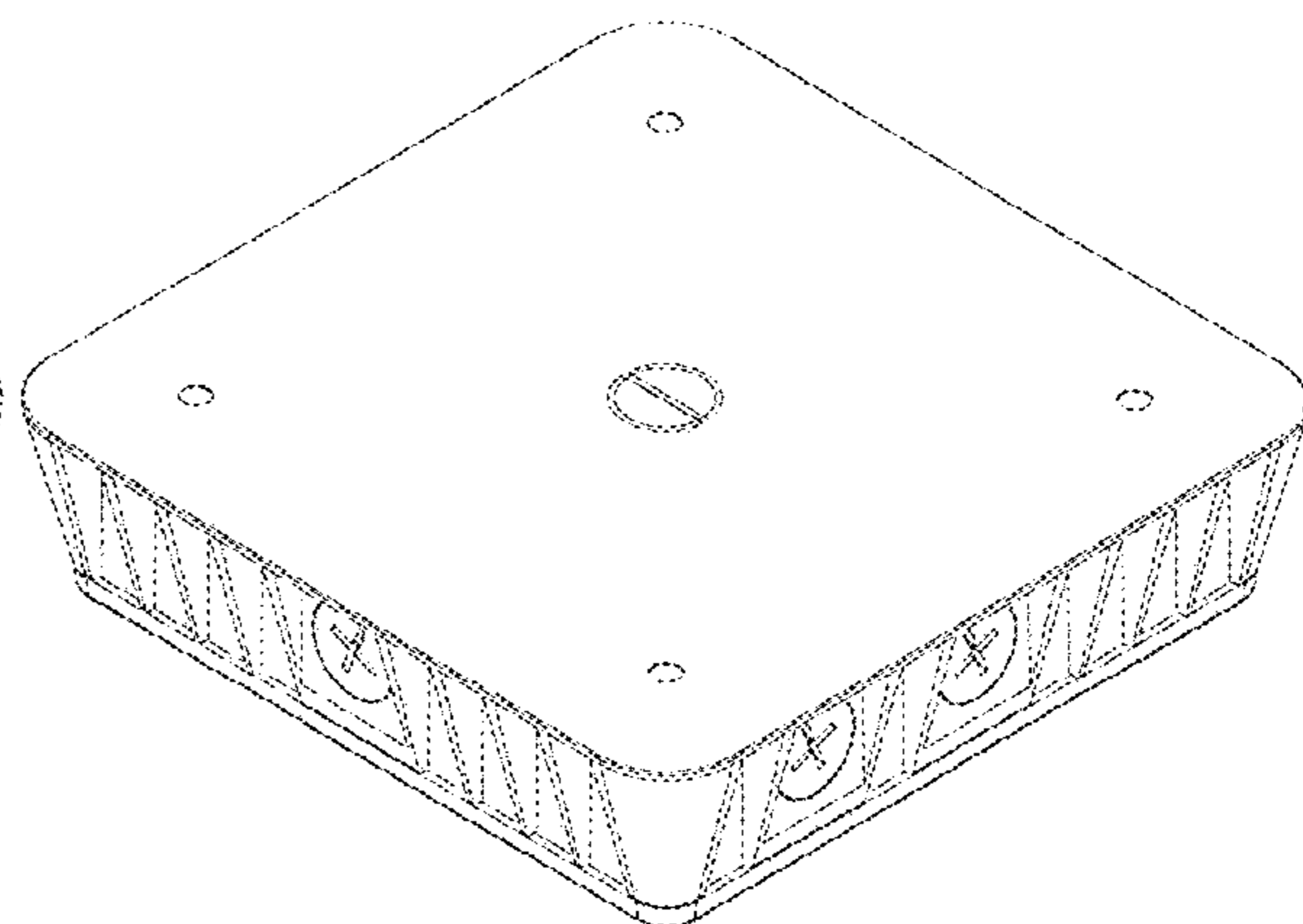
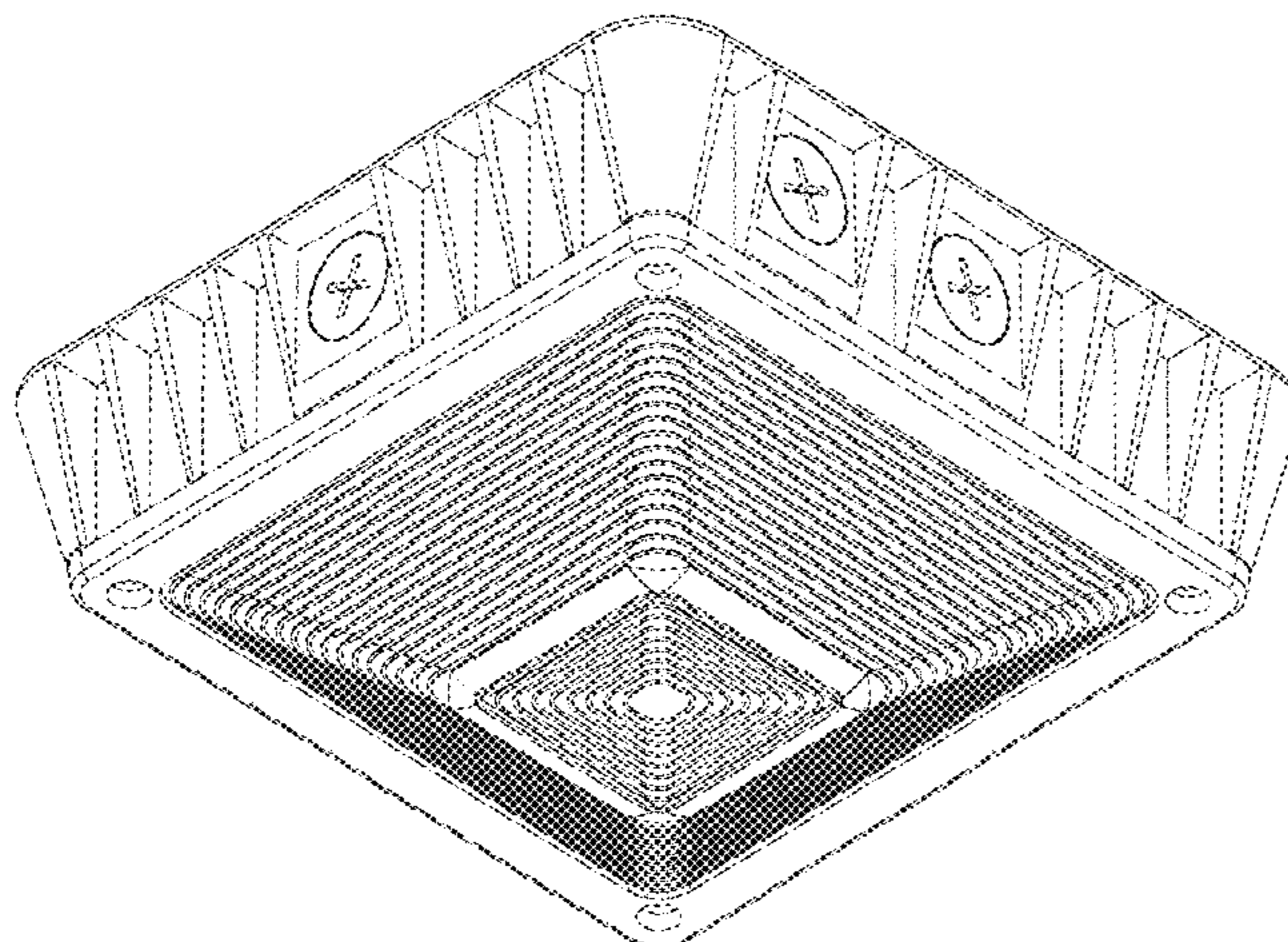
FIG. 13 is a left side view of the housing for a LED-based lighting apparatus of FIG. 9;

FIG. 14 is a top view of the housing for a LED-based lighting apparatus of FIG. 9;

FIG. 15 is a bottom view of the housing for a LED-based lighting apparatus of FIG. 9; and,

FIG. 16 is a top perspective view of the housing for a LED-based lighting apparatus of FIG. 9.

1 Claim, 16 Drawing Sheets



(56)

References Cited

U.S. PATENT DOCUMENTS

D481,822 S *	11/2003	Wang	D26/72
D496,487 S *	9/2004	Rhee	D26/89
D722,192 S *	2/2015	Boyer	D26/89
D742,056 S *	10/2015	Yang	D26/89
D783,884 S *	4/2017	Li	D26/89
D785,225 S *	4/2017	Gan	D26/72
D808,564 S *	1/2018	Zheng	D26/72
D858,810 S *	9/2019	Li	D26/24

* cited by examiner

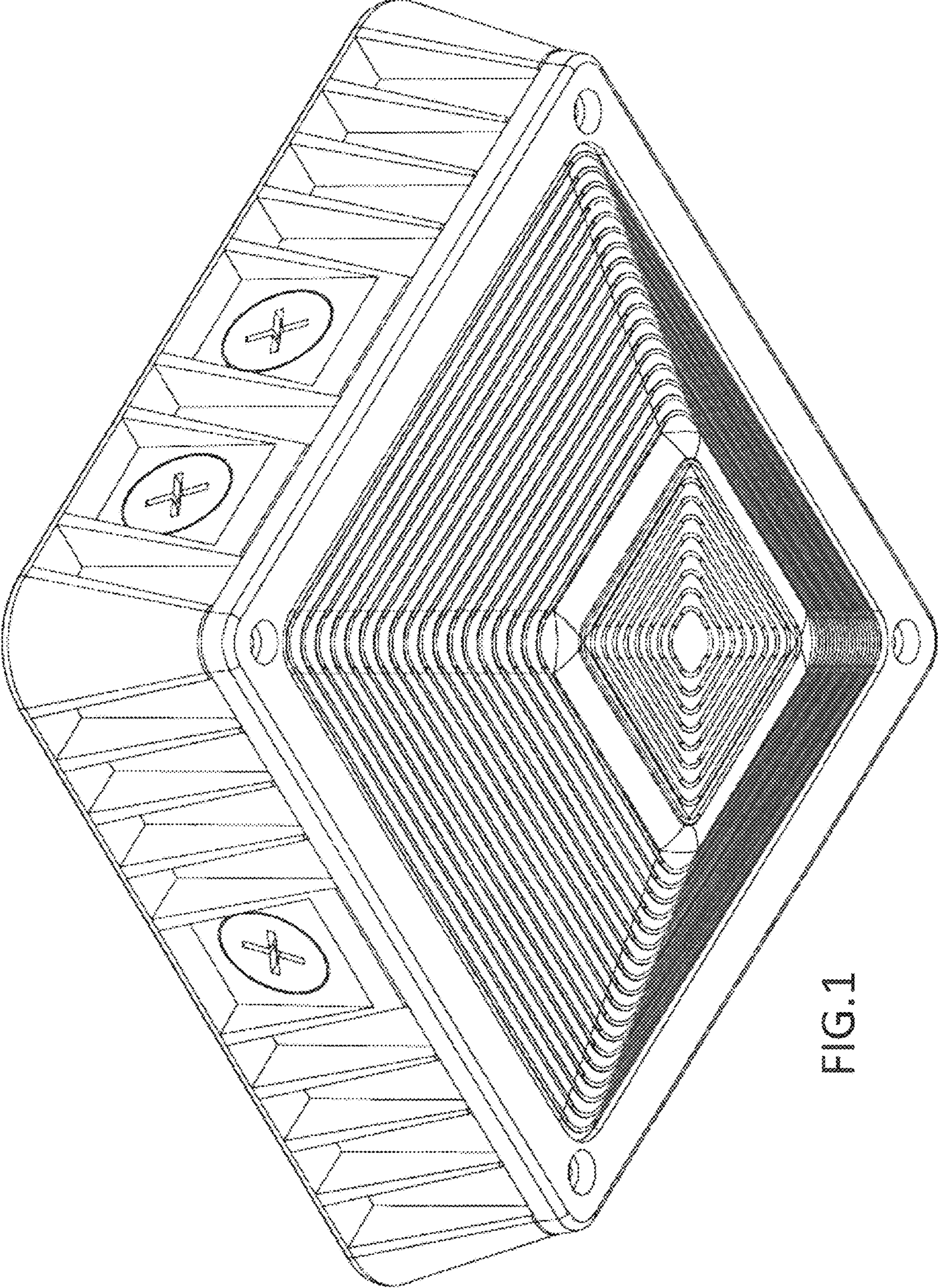


FIG.1

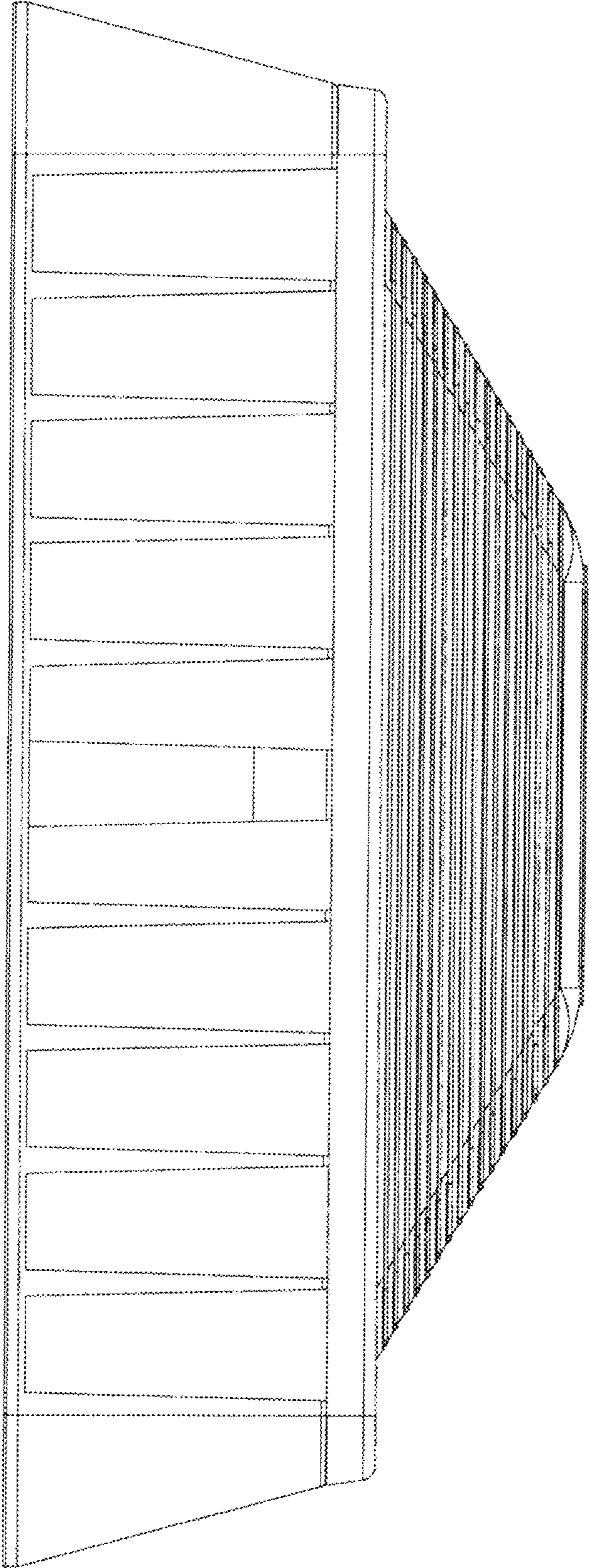


FIG. 2

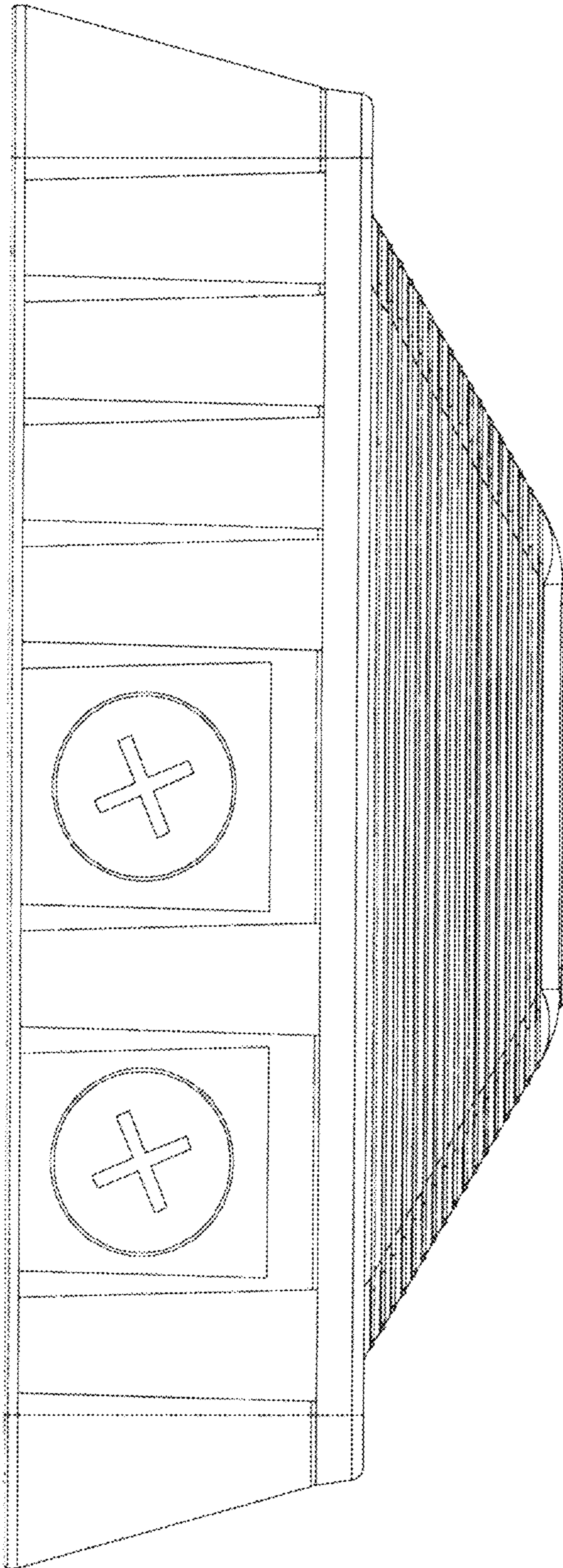


FIG. 3

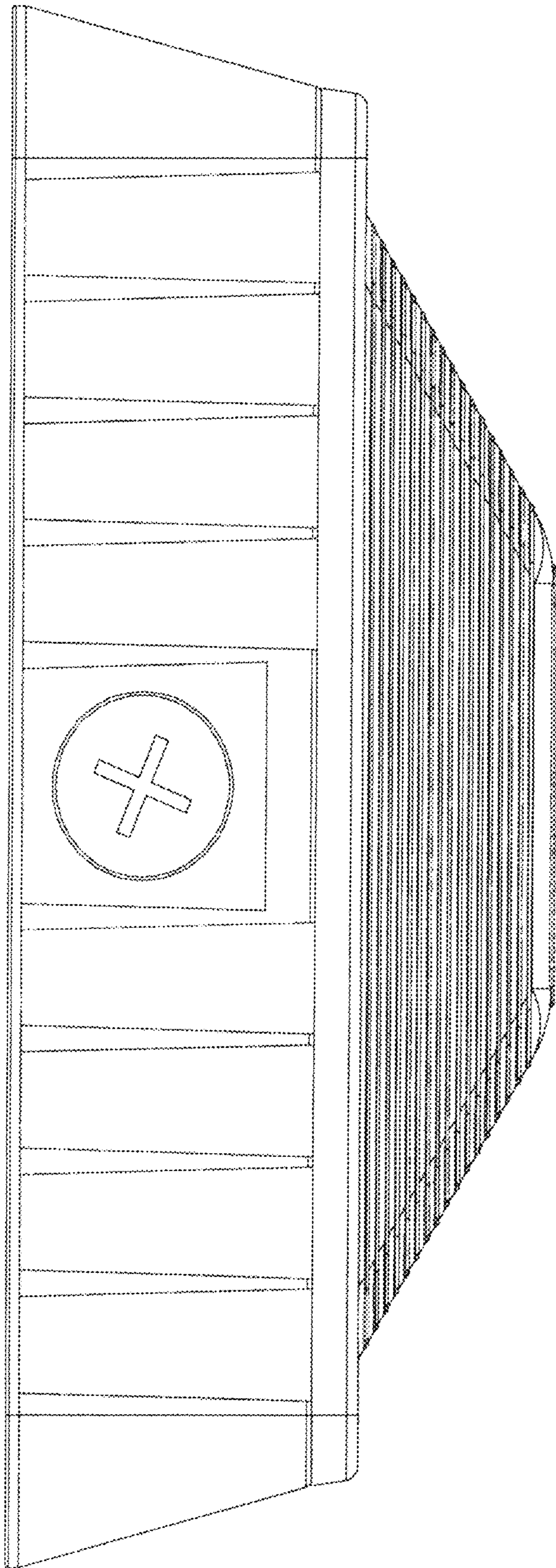


FIG. 4

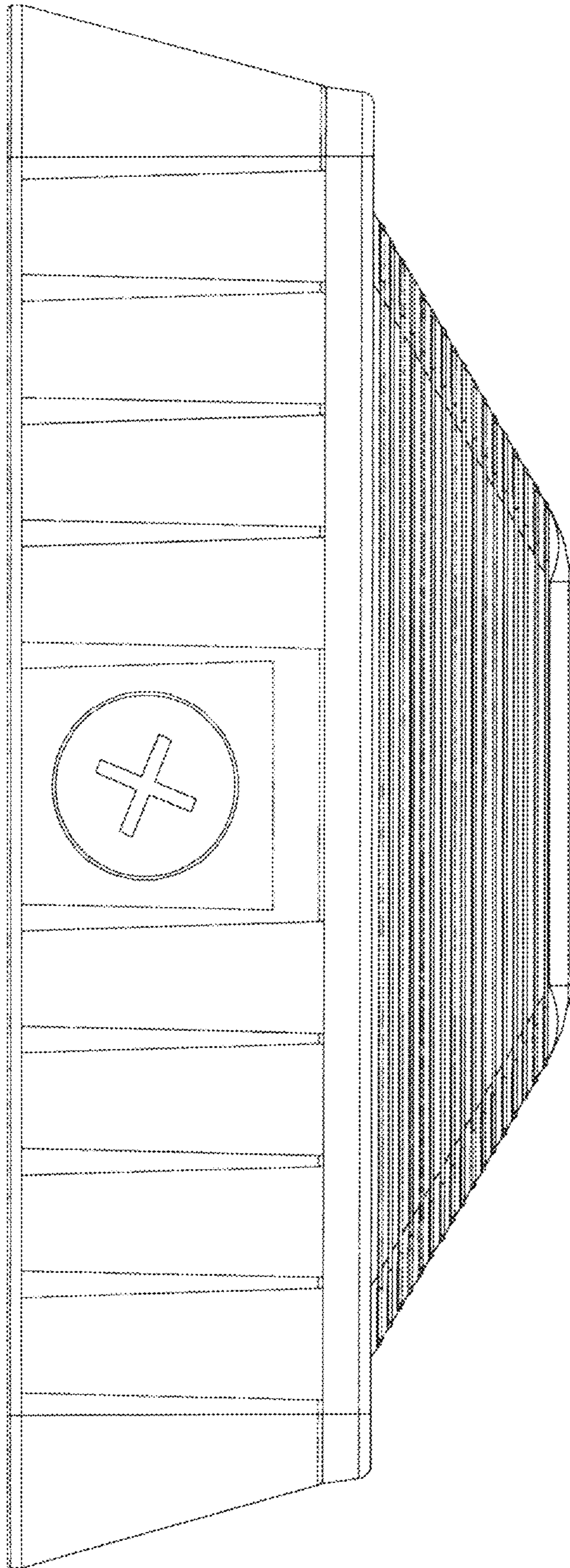


FIG. 5

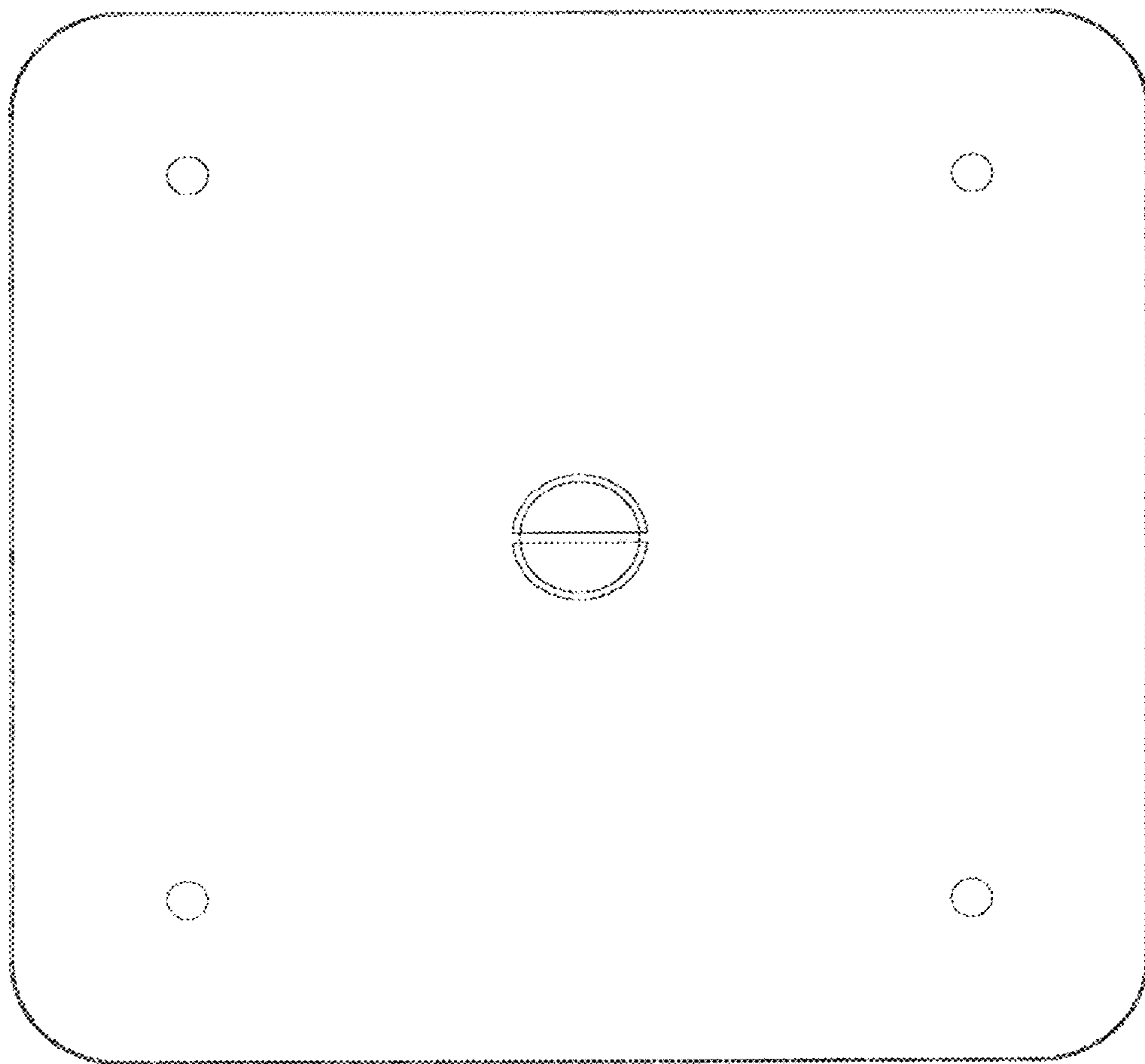


FIG. 6

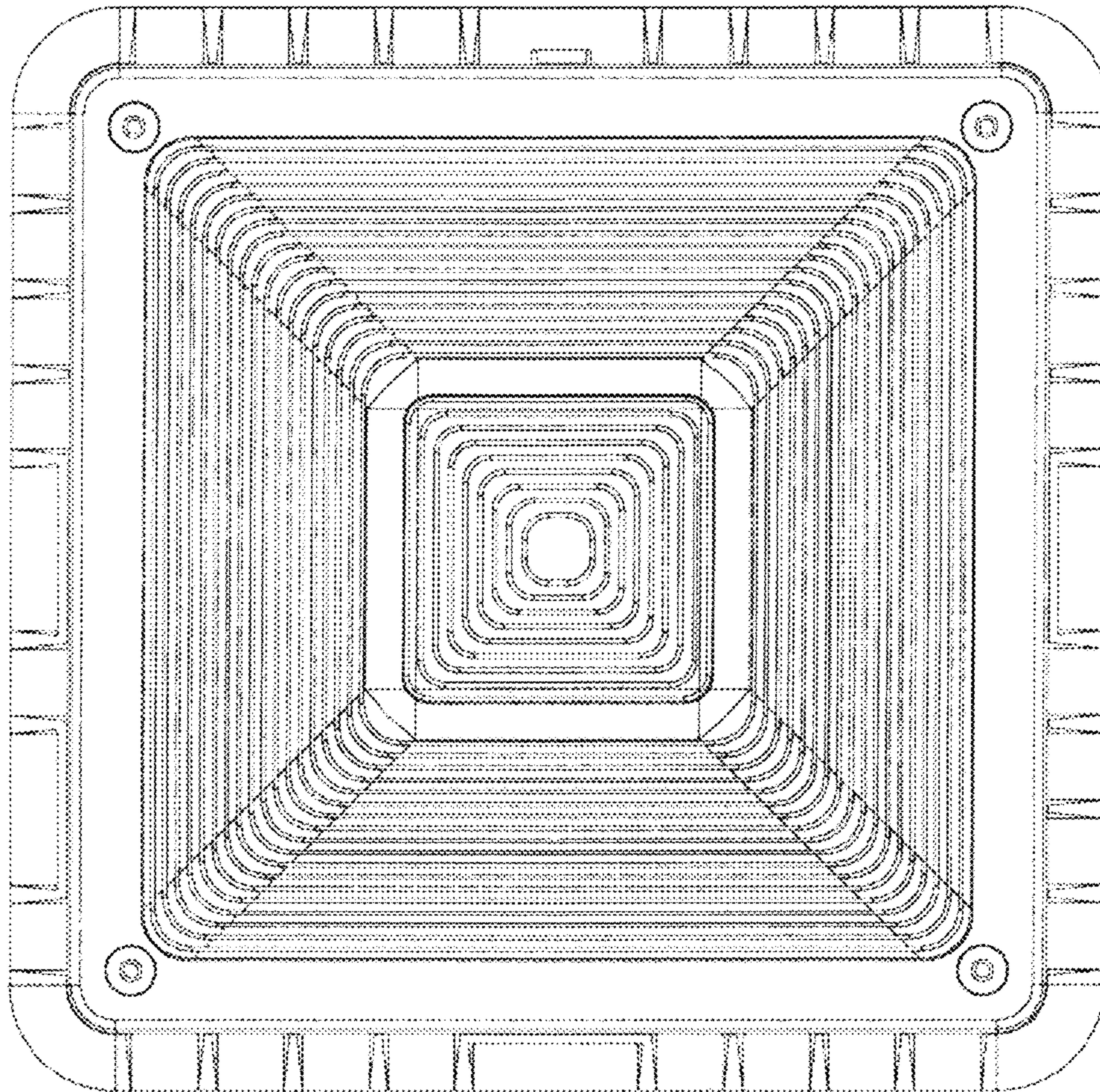


FIG. 7

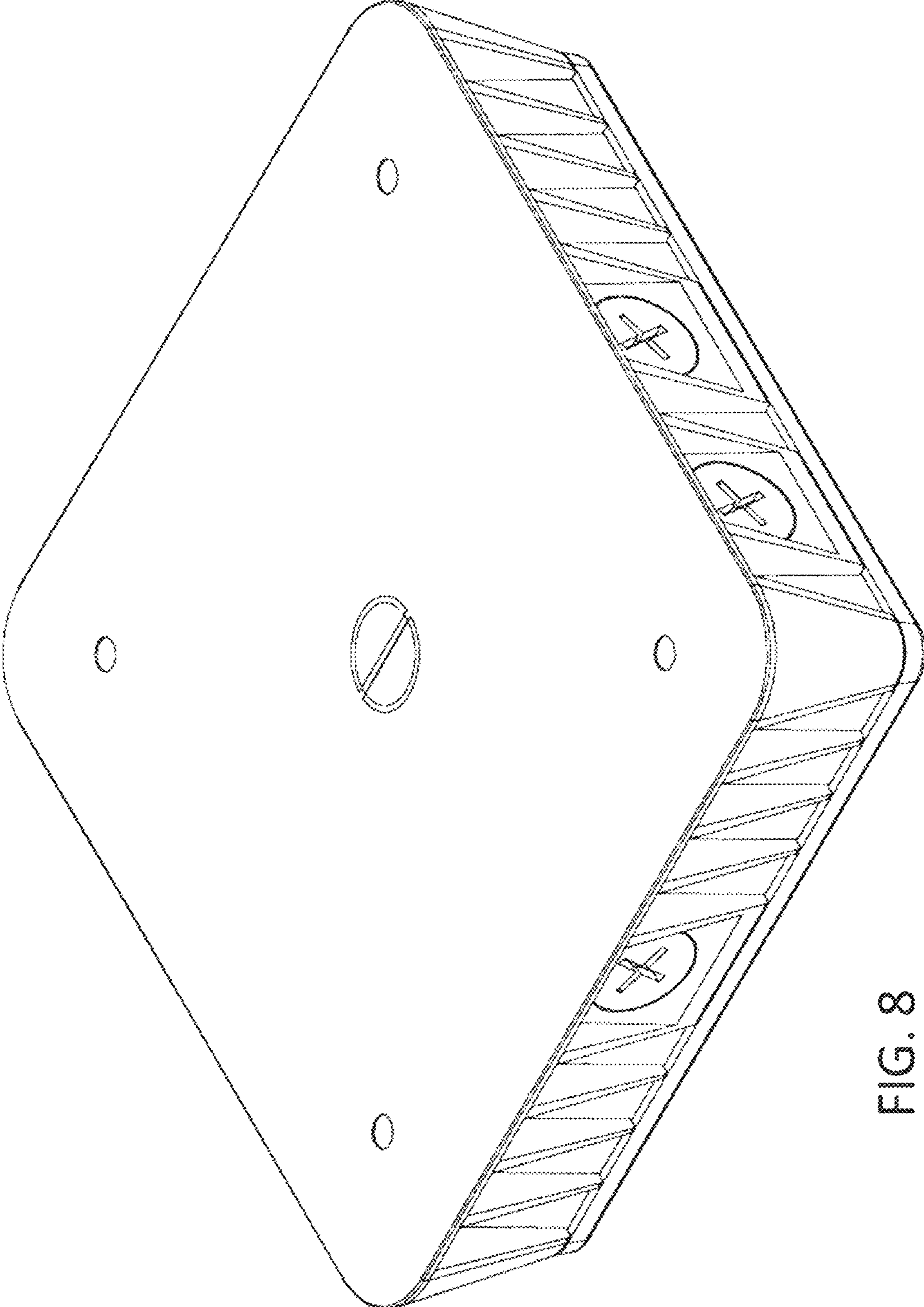


FIG. 8

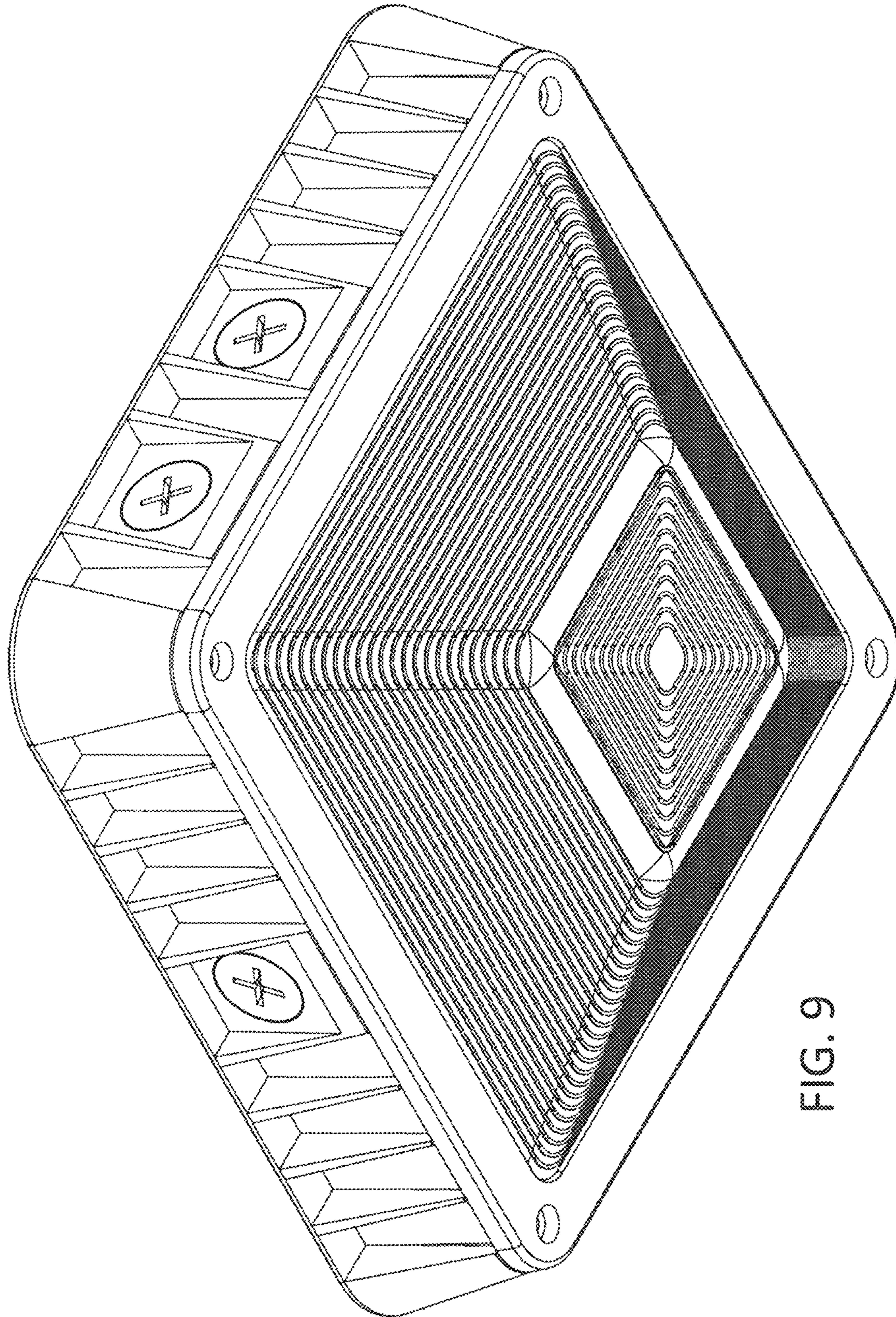


FIG. 9

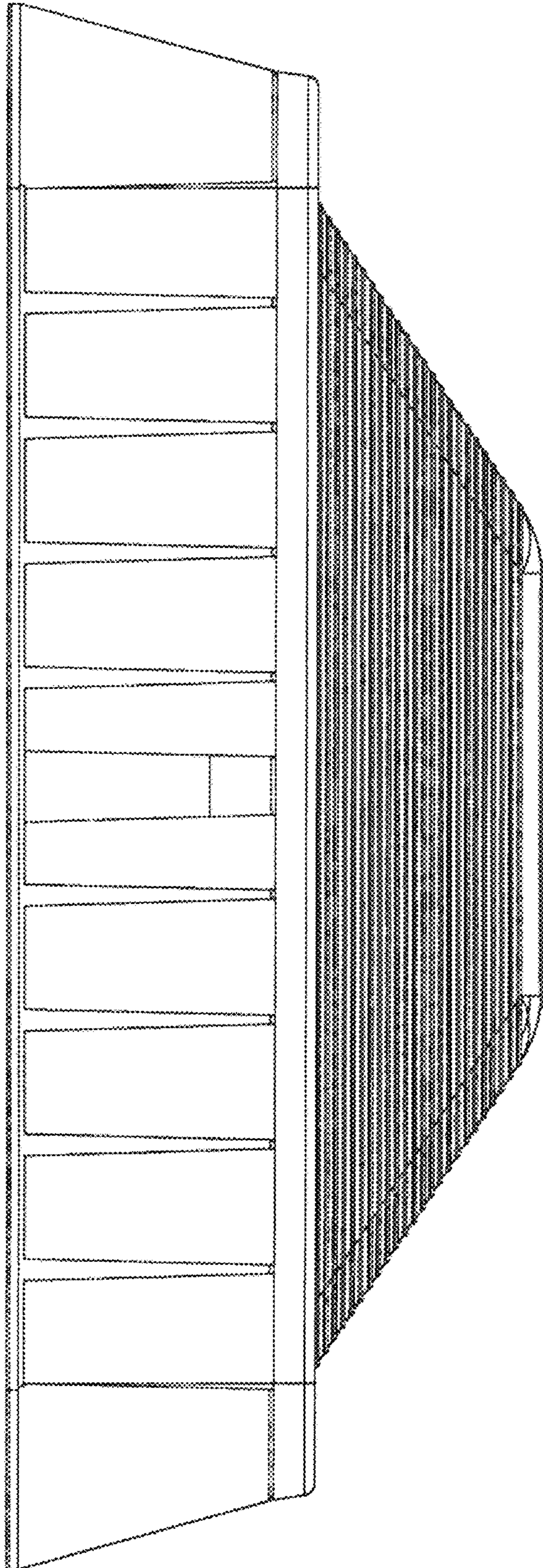


FIG. 10

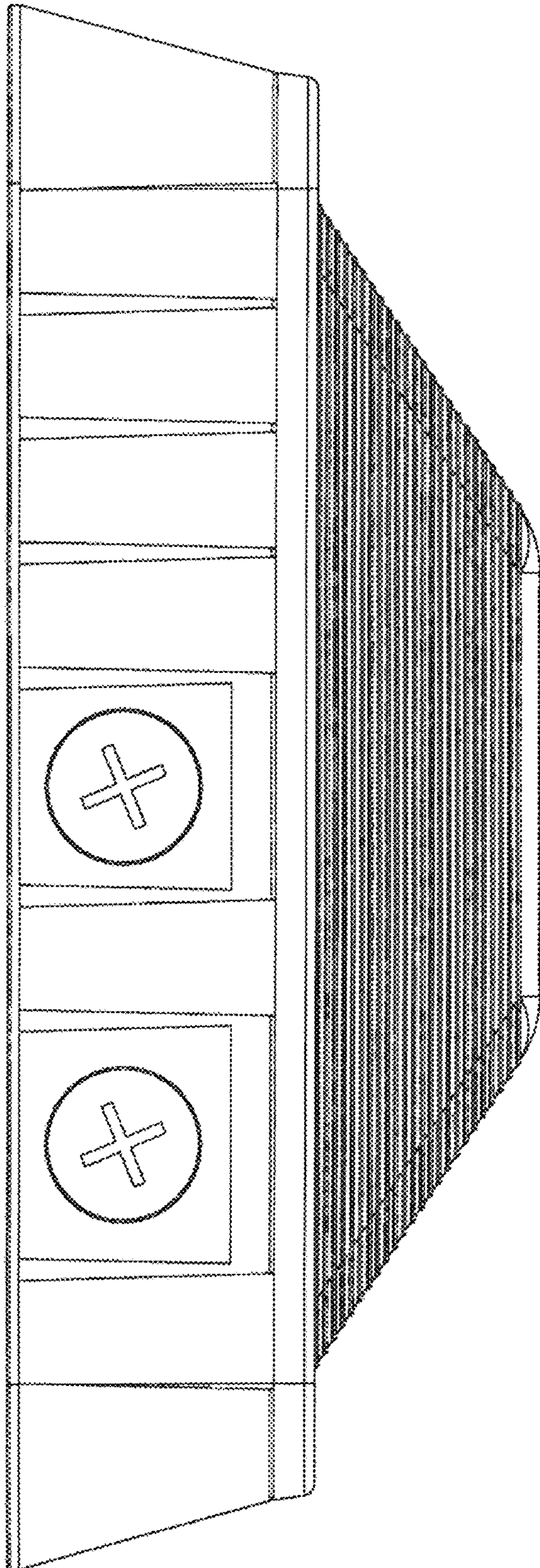


FIG. 11

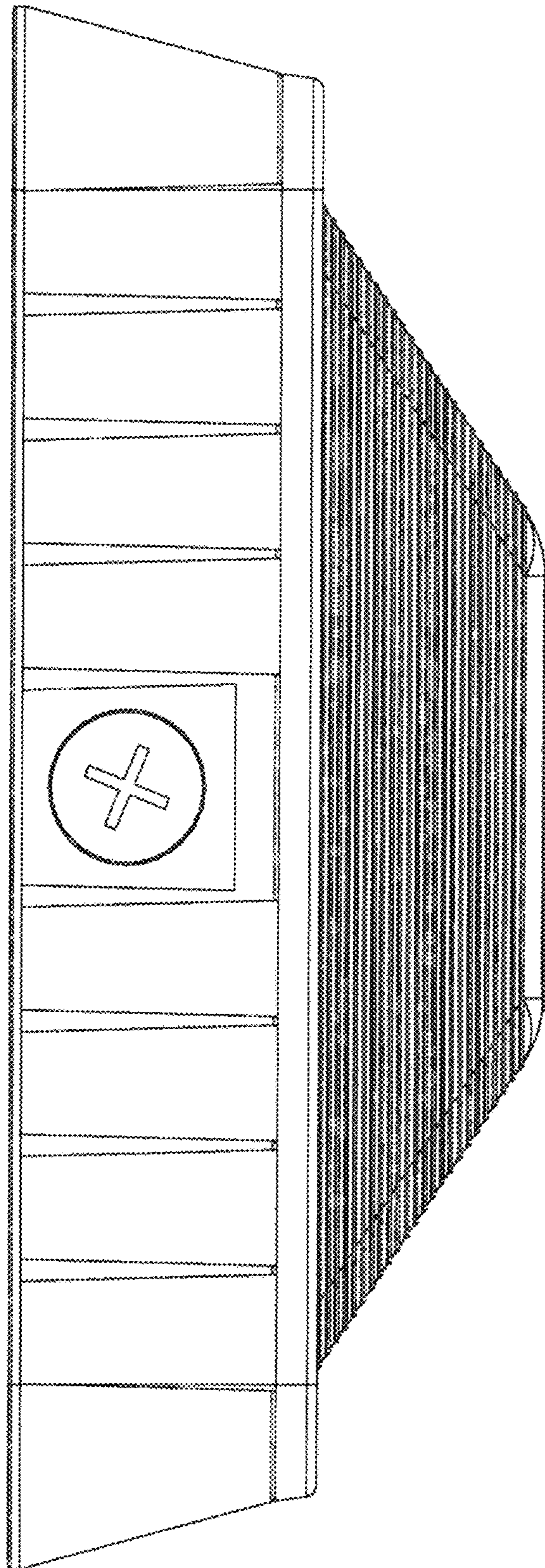


FIG. 12

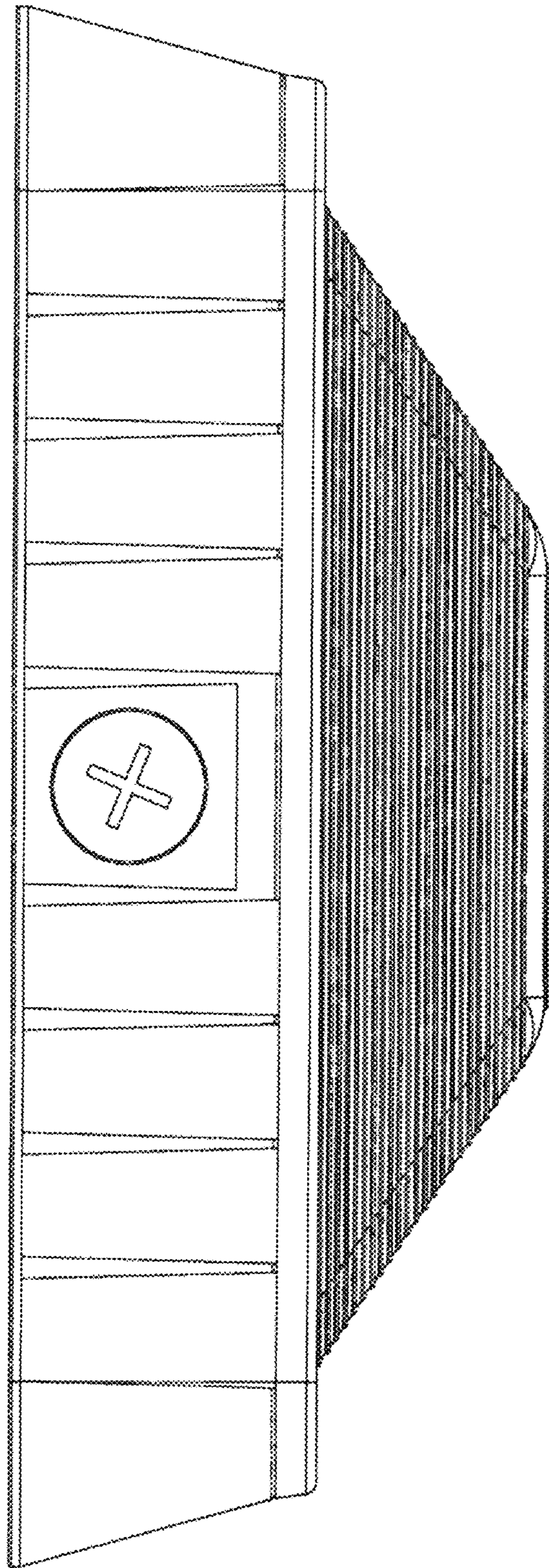


FIG. 13

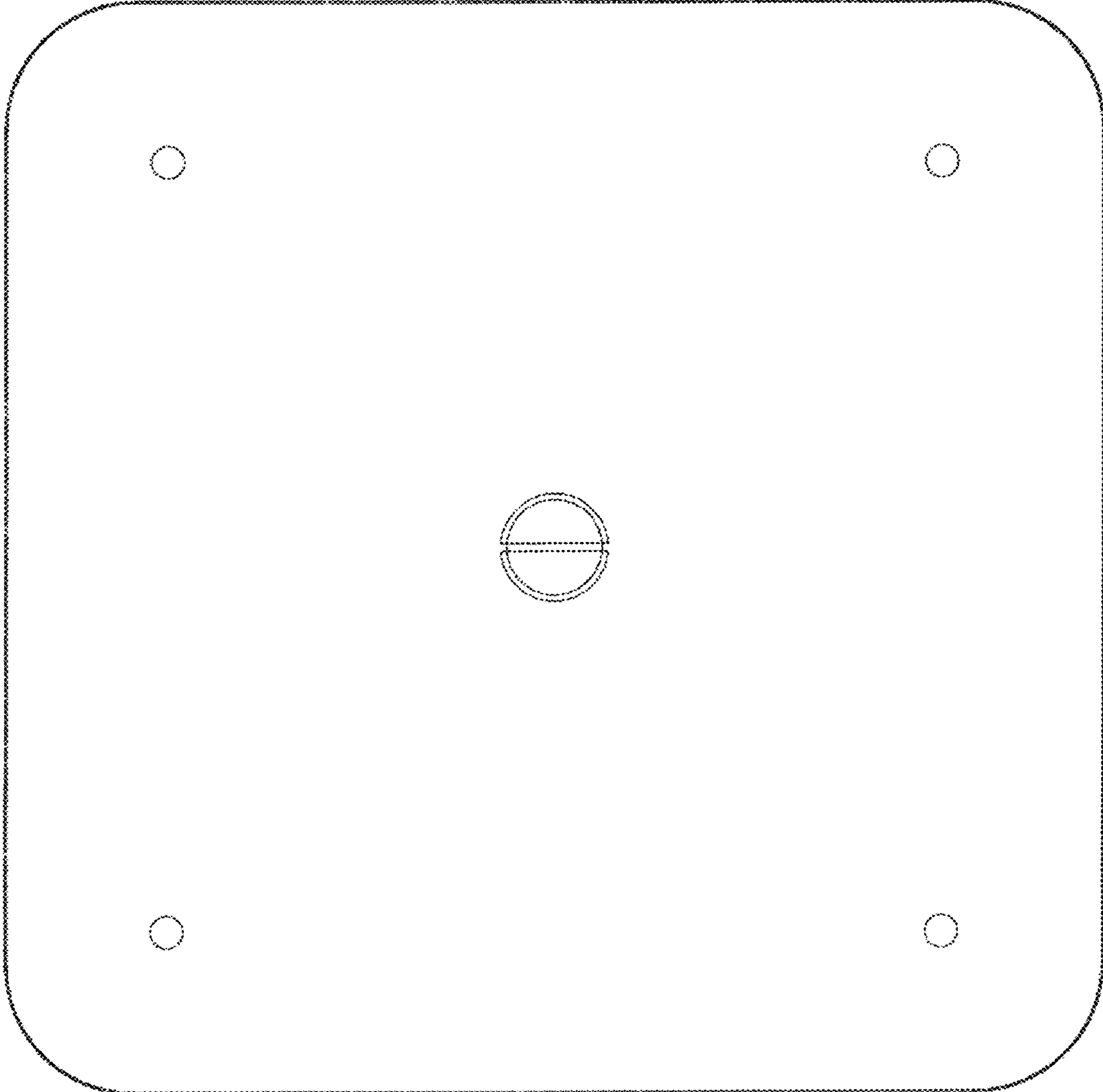


FIG. 14

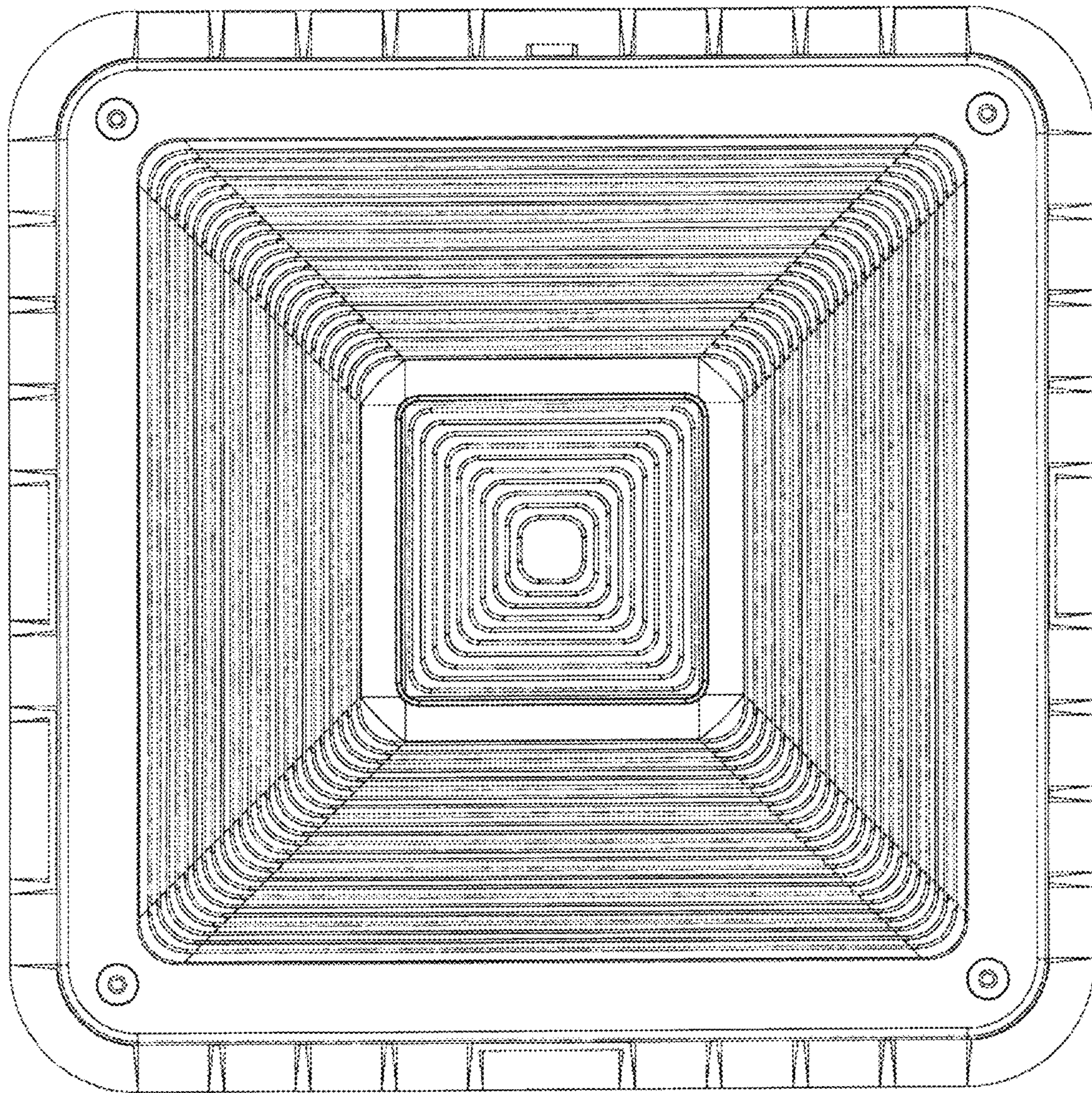


FIG. 15

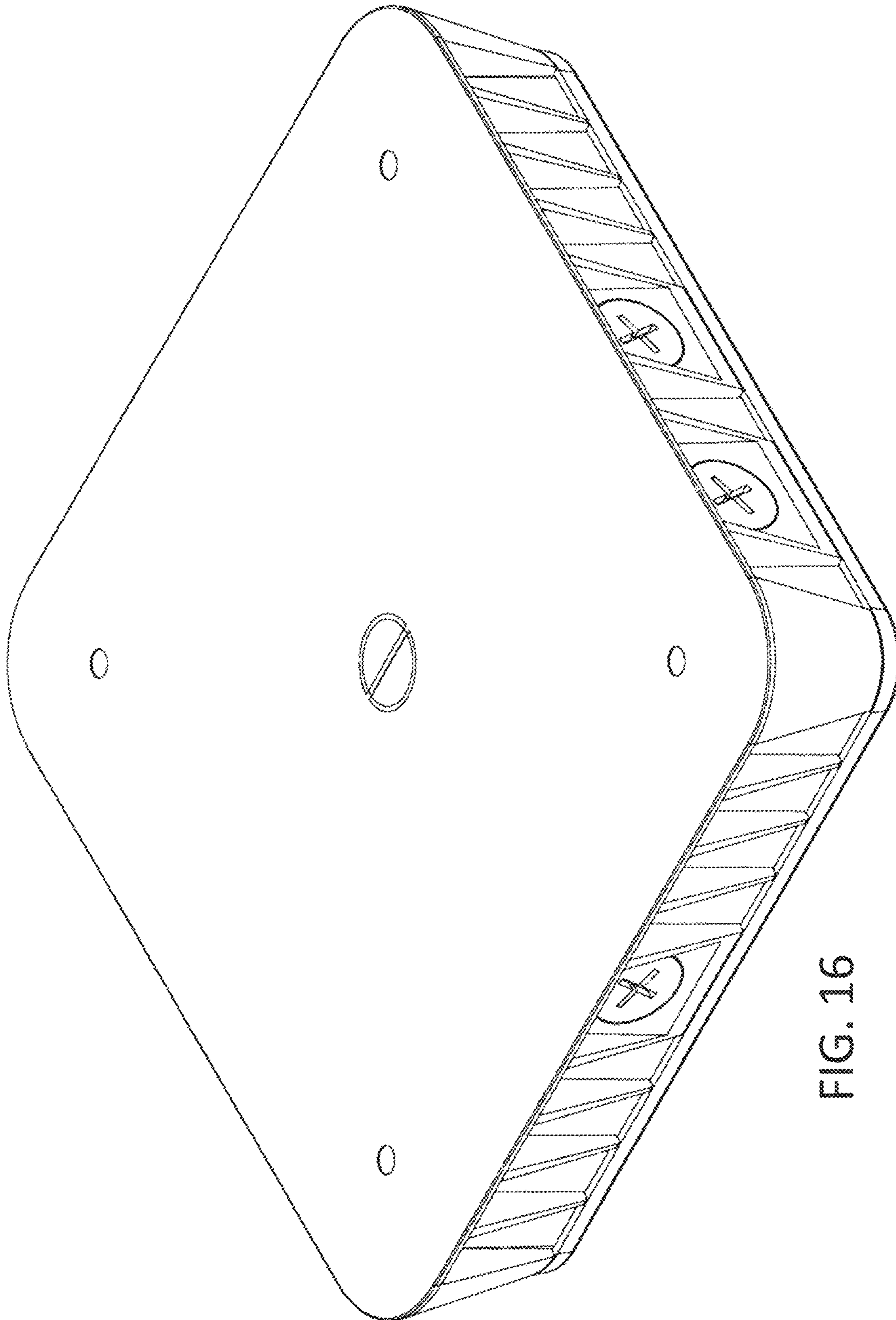


FIG. 16