



US00D906566S

(12) **United States Design Patent**
Li

(10) **Patent No.:** **US D906,566 S**

(45) **Date of Patent:** **** Dec. 29, 2020**

(54) **HIGH BAY LAMP**

(71) Applicant: **Torshare Ltd.**, Guangdong (CN)

(72) Inventor: **Mantie Li**, Guangdong (CN)

(73) Assignee: **Torshare Ltd.**, Shenzhen (CN)

(**) Term: **15 Years**

(21) Appl. No.: **29/679,031**

(22) Filed: **Feb. 1, 2019**

(51) **LOC (12) Cl.** **26-05**

(52) **U.S. Cl.**
USPC **D26/72**

(58) **Field of Classification Search**
USPC D26/24, 63, 72, 74, 75-78, 80-92, 118,
D26/120, 122, 142, 149; D13/134;
D10/111-115
CPC F21V 23/003; F21V 23/023; F21V 29/71;
F21V 29/713; F21V 29/717; F21V 29/73;
F21V 29/74; F21V 29/745; F21V 29/75;
F21V 29/76; F21V 5/00; F21V 1/02;
F21Y 2115/10
See application file for complete search history.

(56) **References Cited**

U.S. PATENT DOCUMENTS

D687,585 S * 8/2013 Kim D26/72
D688,405 S * 8/2013 Kim D26/72

D688,408 S * 8/2013 Wung D26/88
9,121,554 B2 * 9/2015 Shimizu F21V 5/007
D842,528 S * 3/2019 Yu D26/88
D845,532 S * 4/2019 Zhu D26/72
D857,256 S * 8/2019 Li D26/24
D860,509 S * 9/2019 Ma D26/89
D867,650 S * 11/2019 Cheng D26/113
D868,336 S * 11/2019 Li D26/72
D875,292 S * 2/2020 Zhou D26/72
2017/0153016 A1 * 6/2017 Lee F21V 19/02

* cited by examiner

Primary Examiner — Kevin K Rudzinski

Assistant Examiner — Richard Kearney

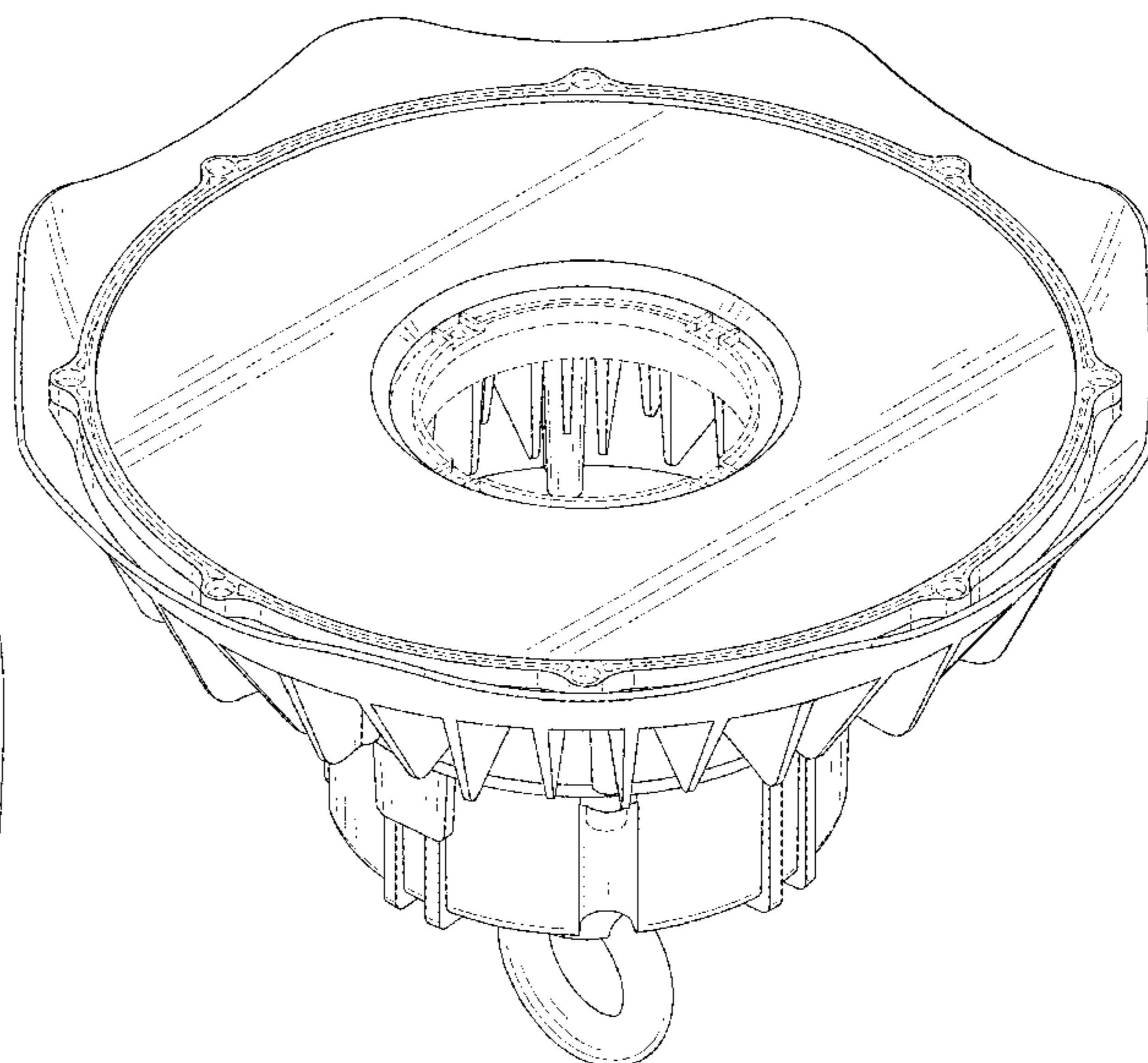
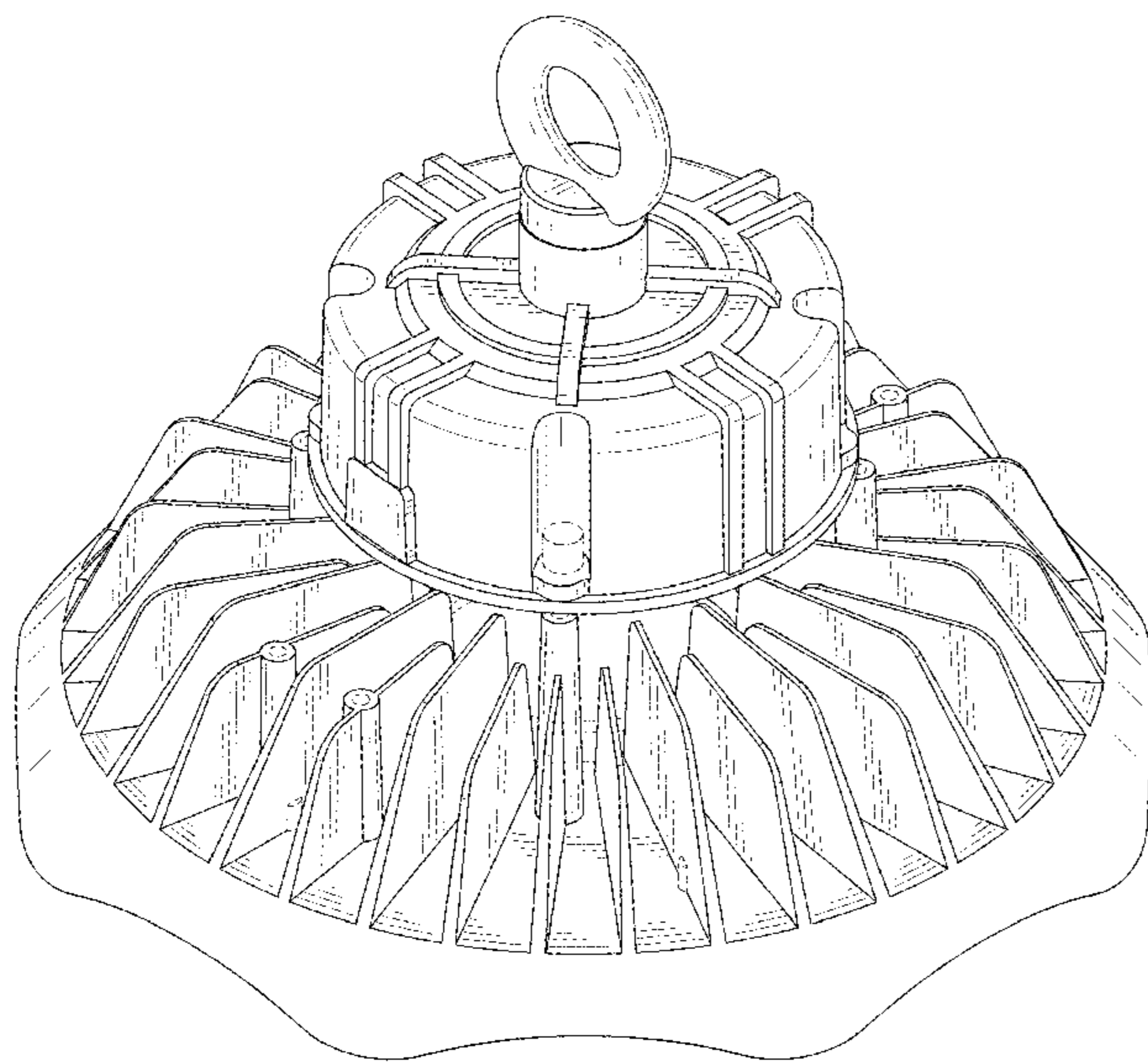
(57) **CLAIM**

The ornamental design for a high bay lamp, as shown and described.

DESCRIPTION

FIG. 1 is a top perspective view of a high bay lamp showing my new design;
FIG. 2 is a bottom perspective view thereof;
FIG. 3 is a front elevational view thereof;
FIG. 4 is a rear elevational view thereof;
FIG. 5 is a left side view thereof;
FIG. 6 is a right side view thereof;
FIG. 7 is a top plan view thereof; and,
FIG. 8 is a bottom plan view thereof.
The broken lines in the drawings illustrate portions of the high bay lamp which form no part of the claimed design.

1 Claim, 8 Drawing Sheets



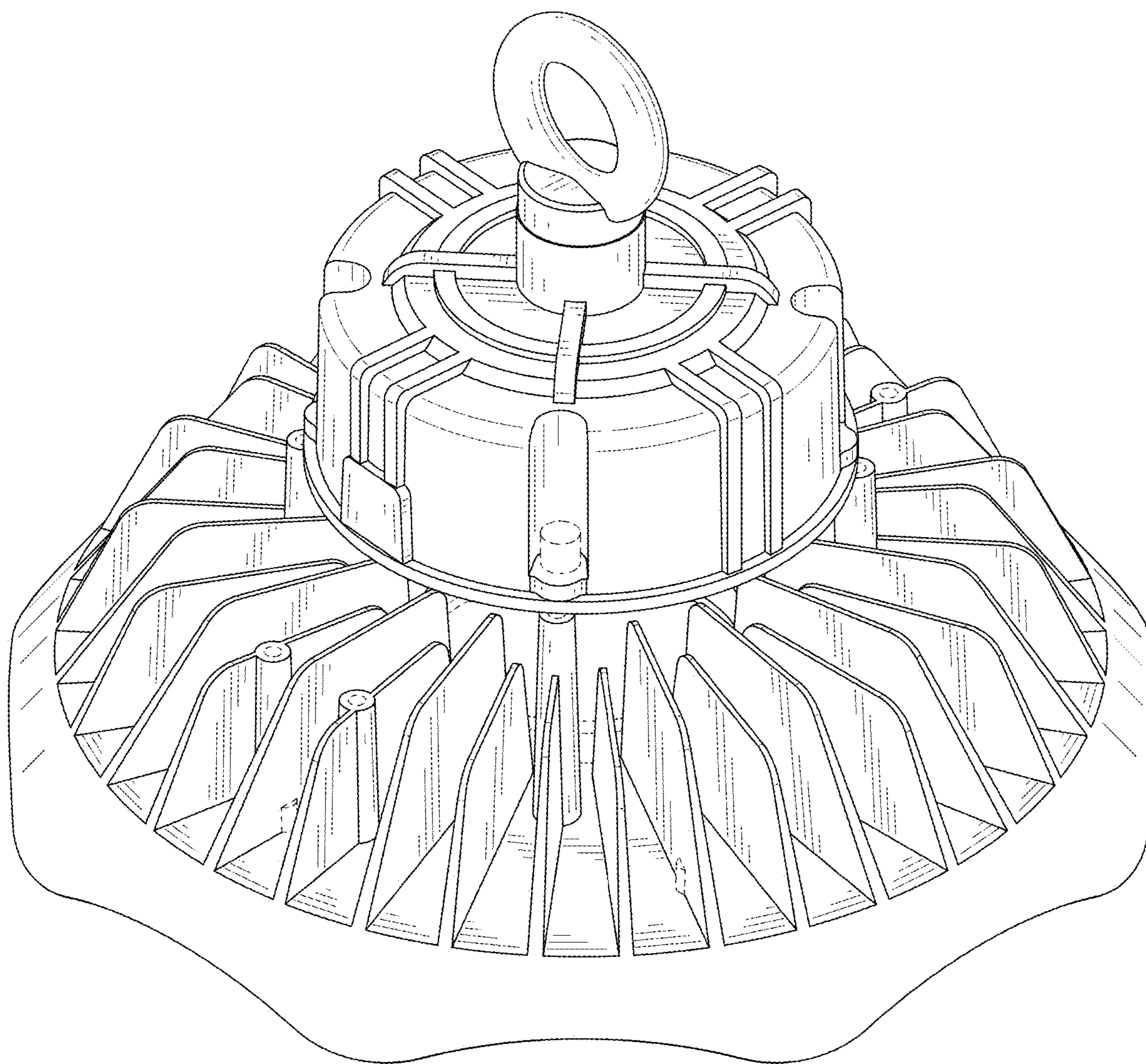


FIG. 1

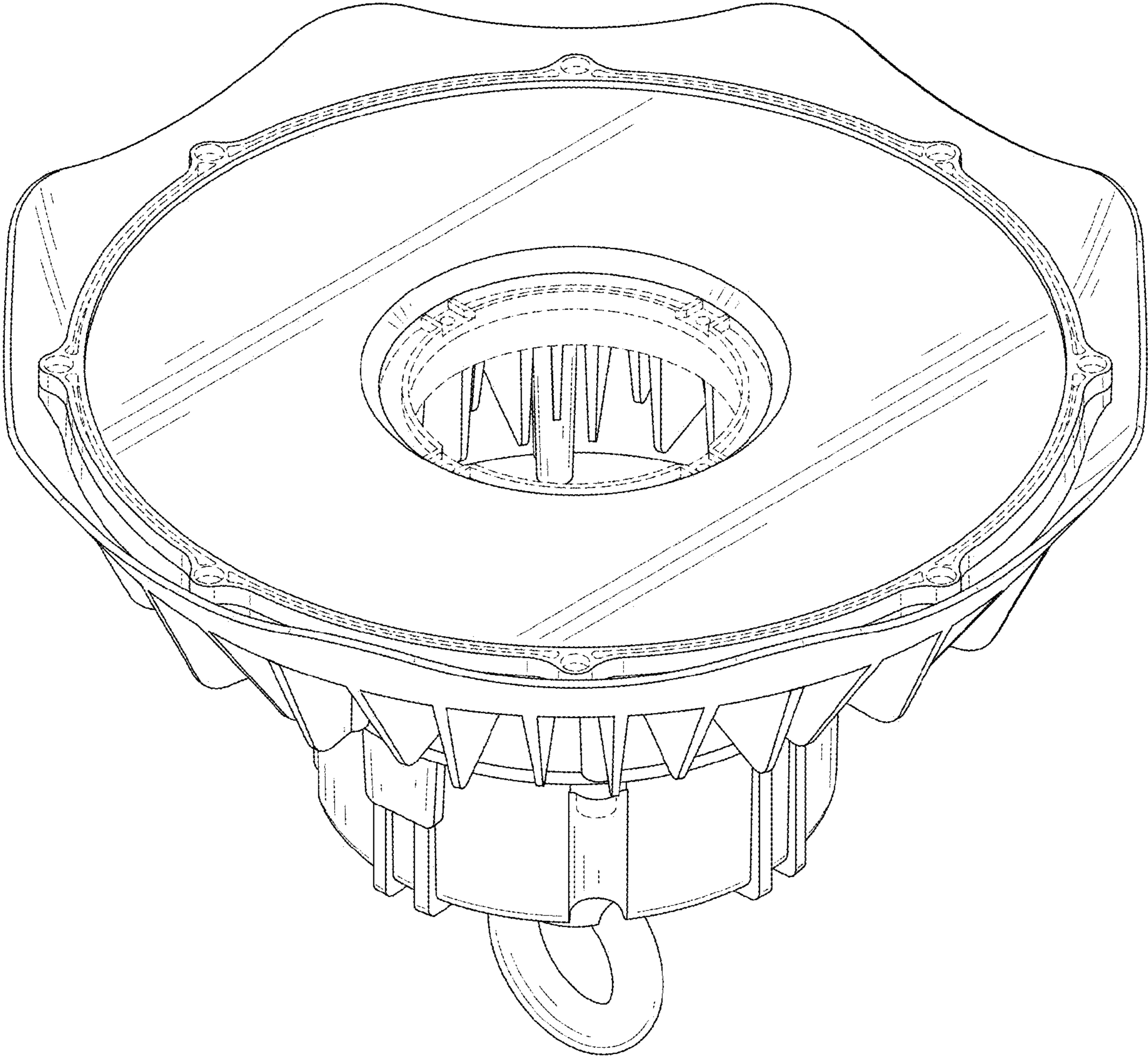


FIG. 2

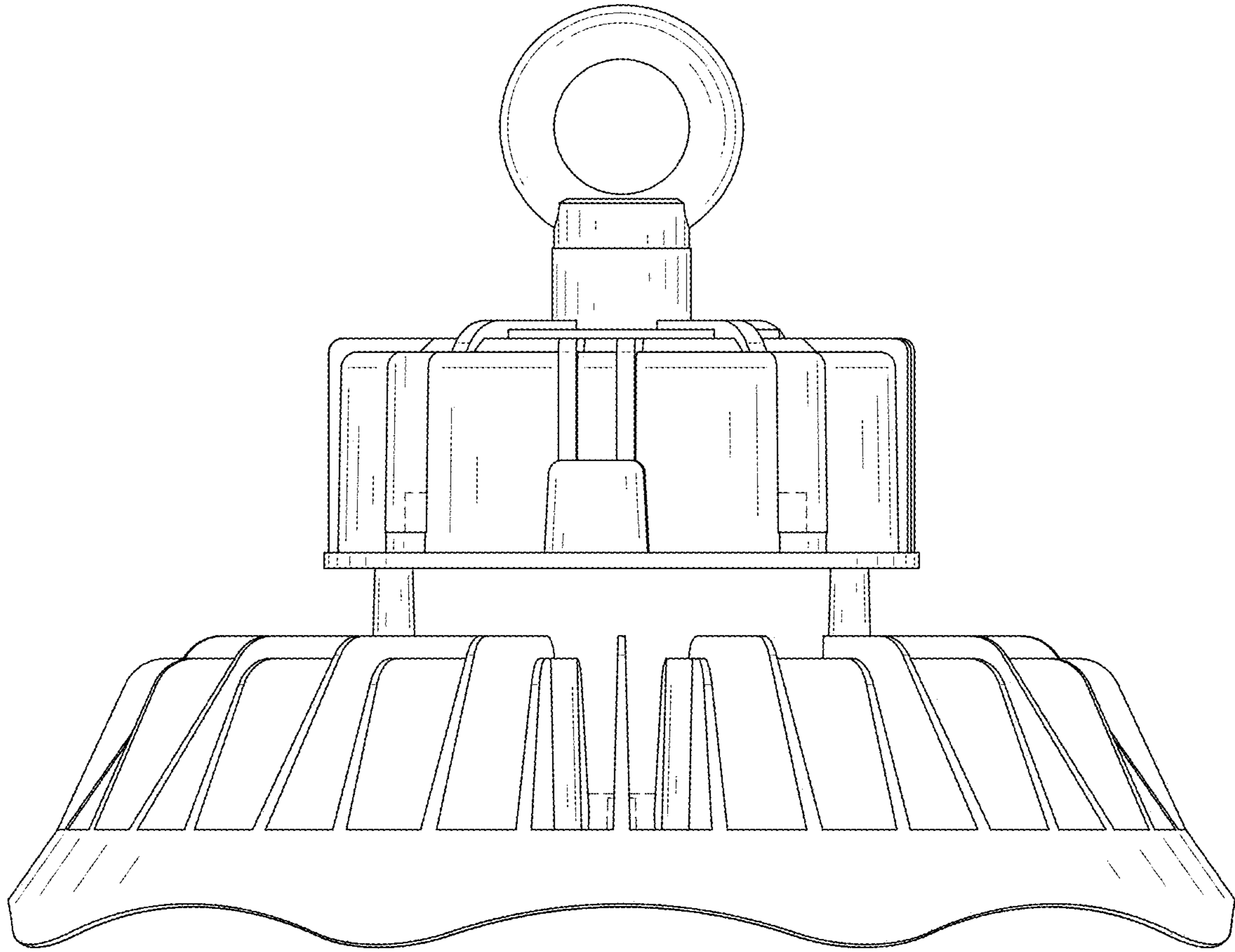


FIG. 3

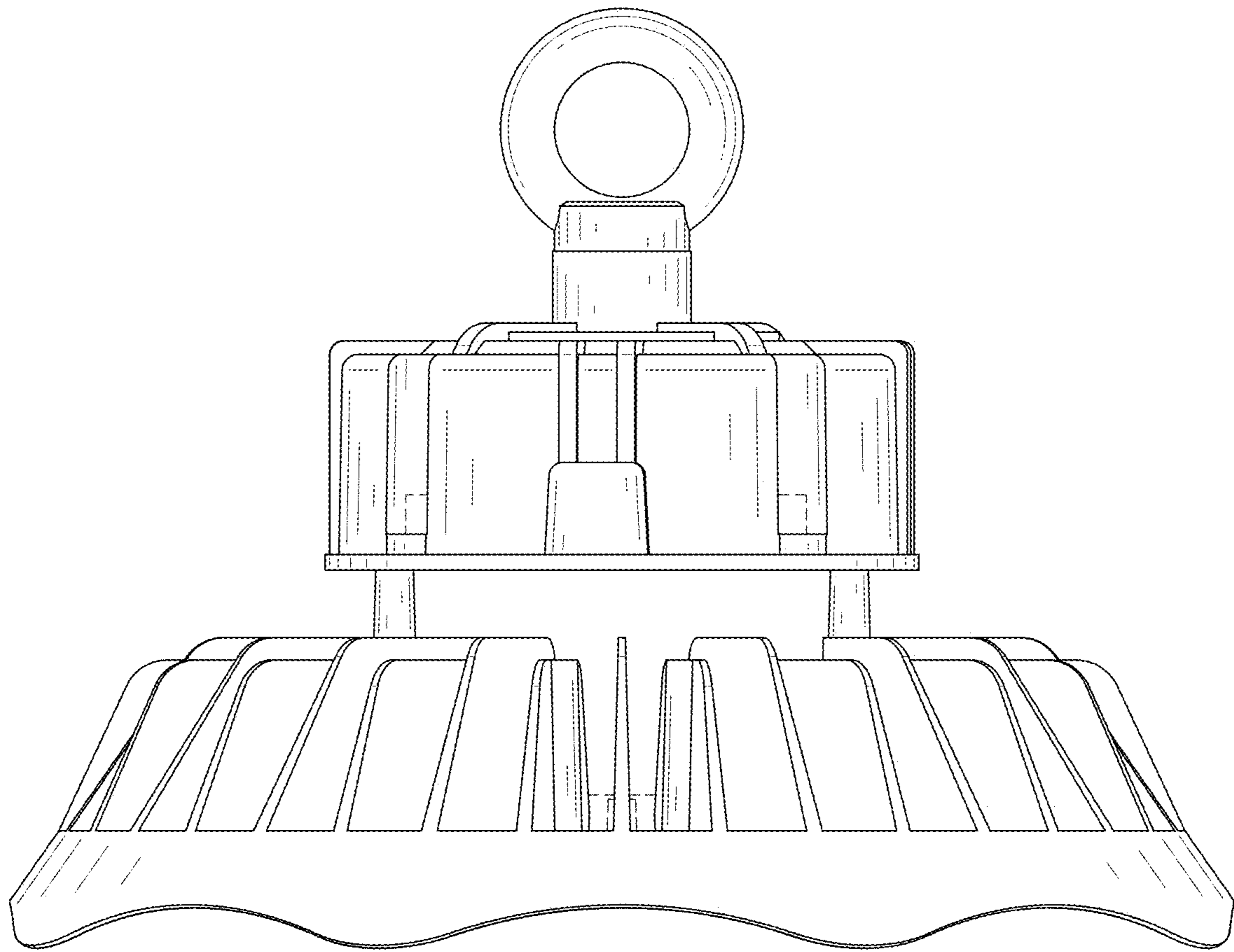


FIG. 4

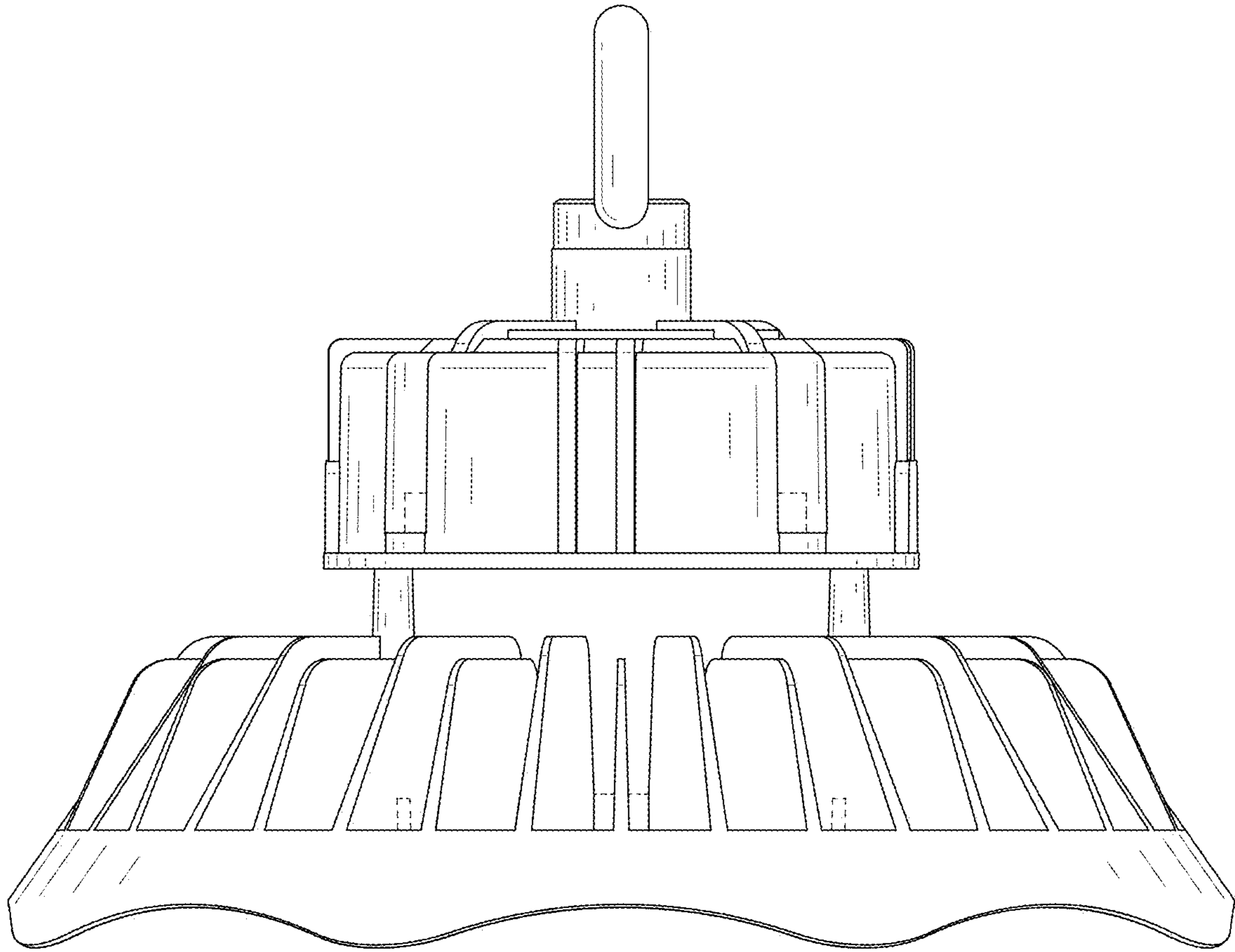


FIG. 5

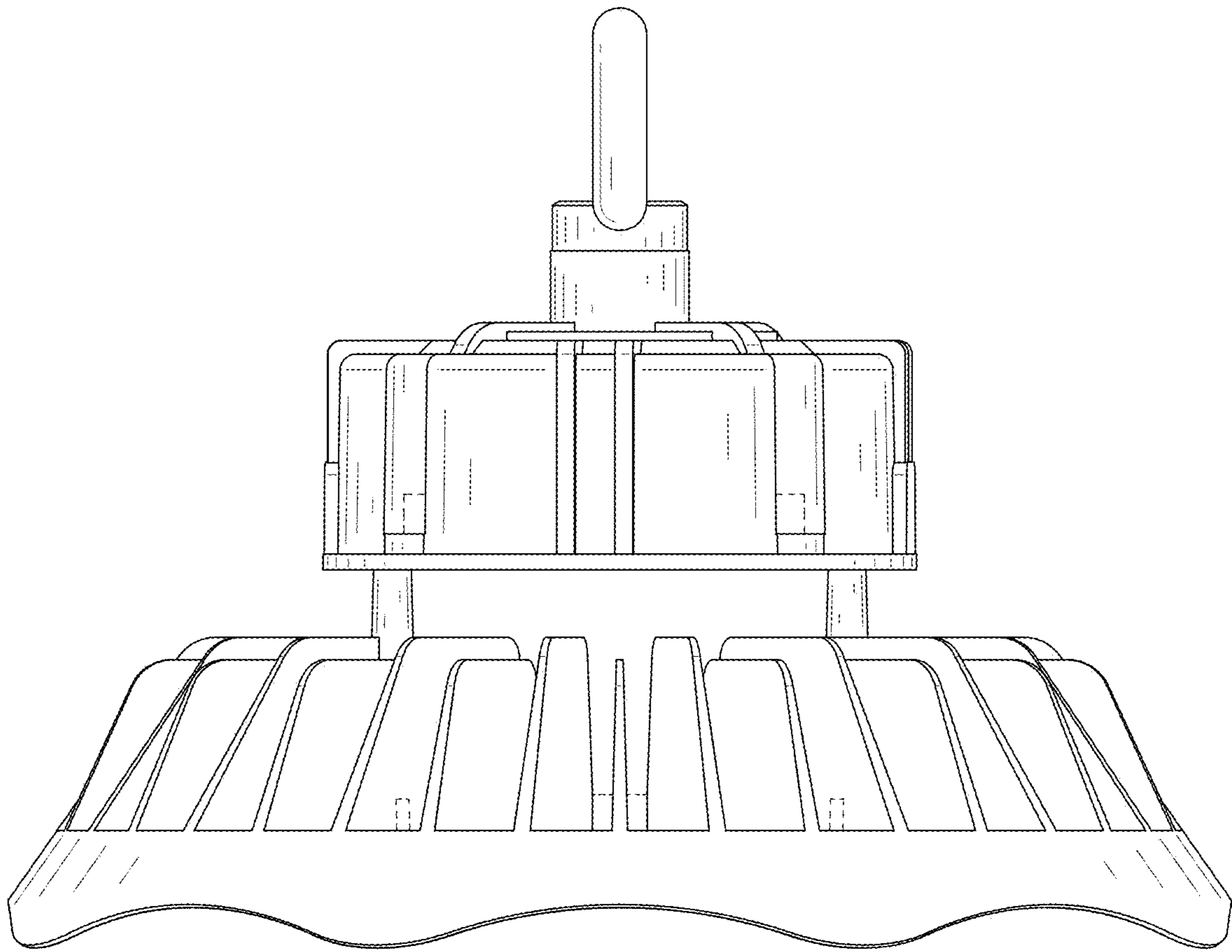


FIG. 6

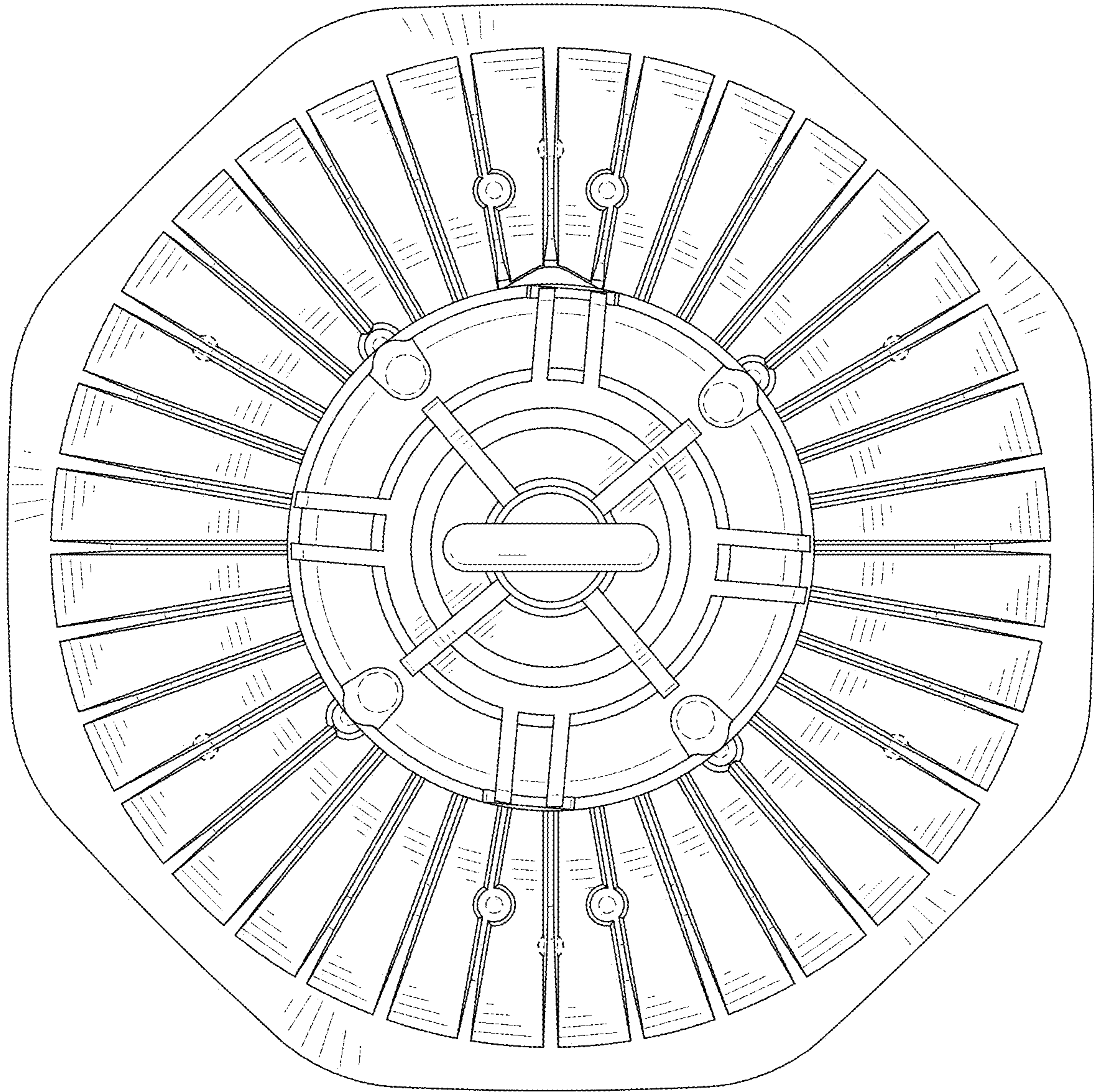


FIG. 7

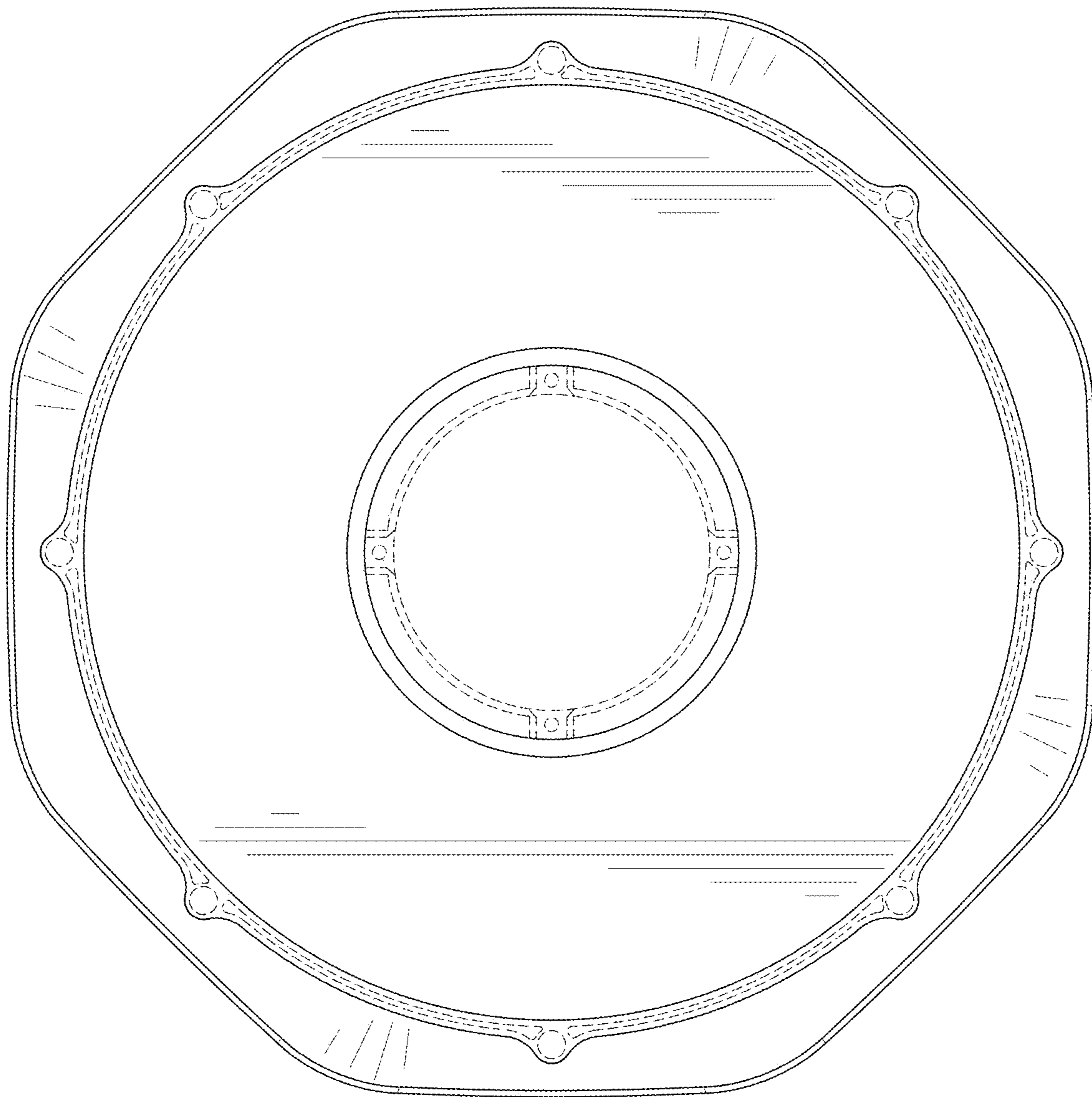


FIG. 8