



US00D906565S

(12) **United States Design Patent** (10) **Patent No.:** **US D906,565 S**
Shalvi (45) **Date of Patent:** **** *Dec. 29, 2020**

(54) **LIGHT FIXTURE**

(71) Applicant: **Ram Shalvi**, Closter, NJ (US)

(72) Inventor: **Ram Shalvi**, Closter, NJ (US)

(73) Assignee: **Olympia Lighting, Inc.**, Northvale, NJ (US)

(*) Notice: This patent is subject to a terminal disclaimer.

(**) Term: **15 Years**

(21) Appl. No.: **29/653,058**

(22) Filed: **Jun. 12, 2018**

(51) **LOC (12) Cl.** **26-05**

(52) **U.S. Cl.**
USPC **D26/71**

(58) **Field of Classification Search**
USPC D26/63, 71, 72, 92
CPC .. F21S 8/085; F21S 8/086; F21S 8/068; F21S 9/03; F21S 9/037; F21W 2131/103; F21W 2131/107; F21W 2131/109
See application file for complete search history.

(56) **References Cited**

U.S. PATENT DOCUMENTS

D631,181 S * 1/2011 Laporte D26/71
8,025,419 B2 * 9/2011 Yang F21S 8/086
362/153.1

D708,379 S * 7/2014 Ruffalo D26/71
D718,483 S * 11/2014 Meredith D26/71
D719,696 S * 12/2014 Zhang D26/71
D743,082 S * 11/2015 Neri D26/71
D780,360 S * 2/2017 Bobel D26/71
9,638,403 B1 * 5/2017 Marshal F21V 21/108
D814,681 S * 4/2018 Long D26/71
D815,330 S * 4/2018 Wan D26/71
D828,604 S * 9/2018 Bobel D26/71
D838,027 S * 1/2019 Bobel D26/71
2010/0072897 A1 * 3/2010 Zheng F21S 2/005
315/113

* cited by examiner

Primary Examiner — Clare E Hefflin

(74) *Attorney, Agent, or Firm* — Robert D. Katz, Esq.;
Law Offices of Albert Wai-Kit Chan, PLLC

(57) **CLAIM**

The ornamental design for a light fixture, as shown and described.

DESCRIPTION

FIG. 1 is a top, left side perspective view of the light fixture showing the new design;
FIG. 2 is a bottom, left side perspective view thereof;
FIG. 3 is a top plan view thereof;
FIG. 4 is a bottom plan view thereof;
FIG. 5 is a front elevation view thereof;
FIG. 6 is a rear elevation view thereof; and,
FIG. 7 is a side elevation view thereof.
The broken lines shown on the drawings depict portions of the light fixture that form no part of the claimed design.

1 Claim, 6 Drawing Sheets

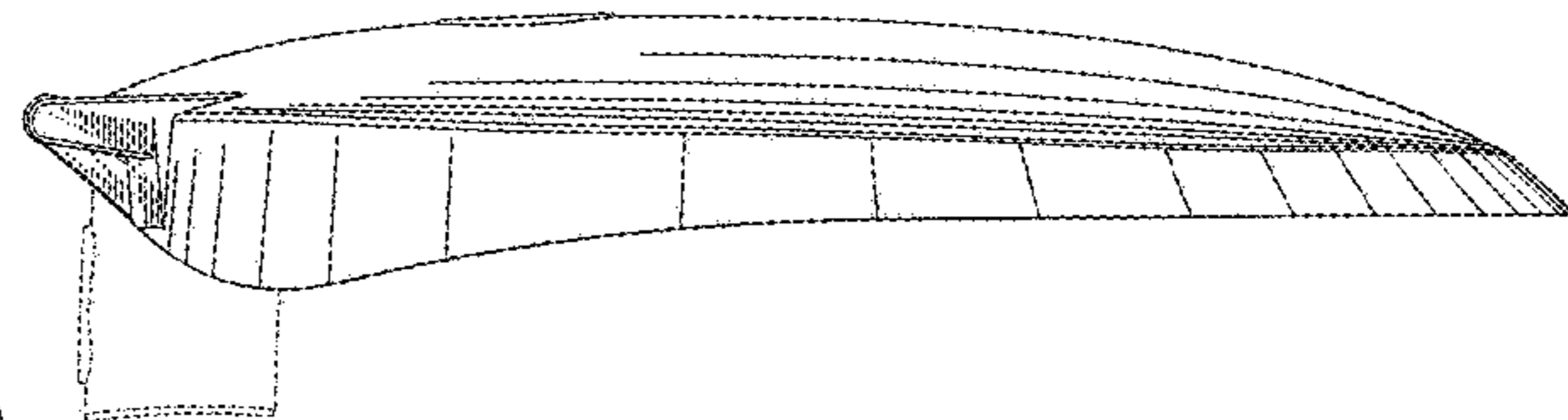
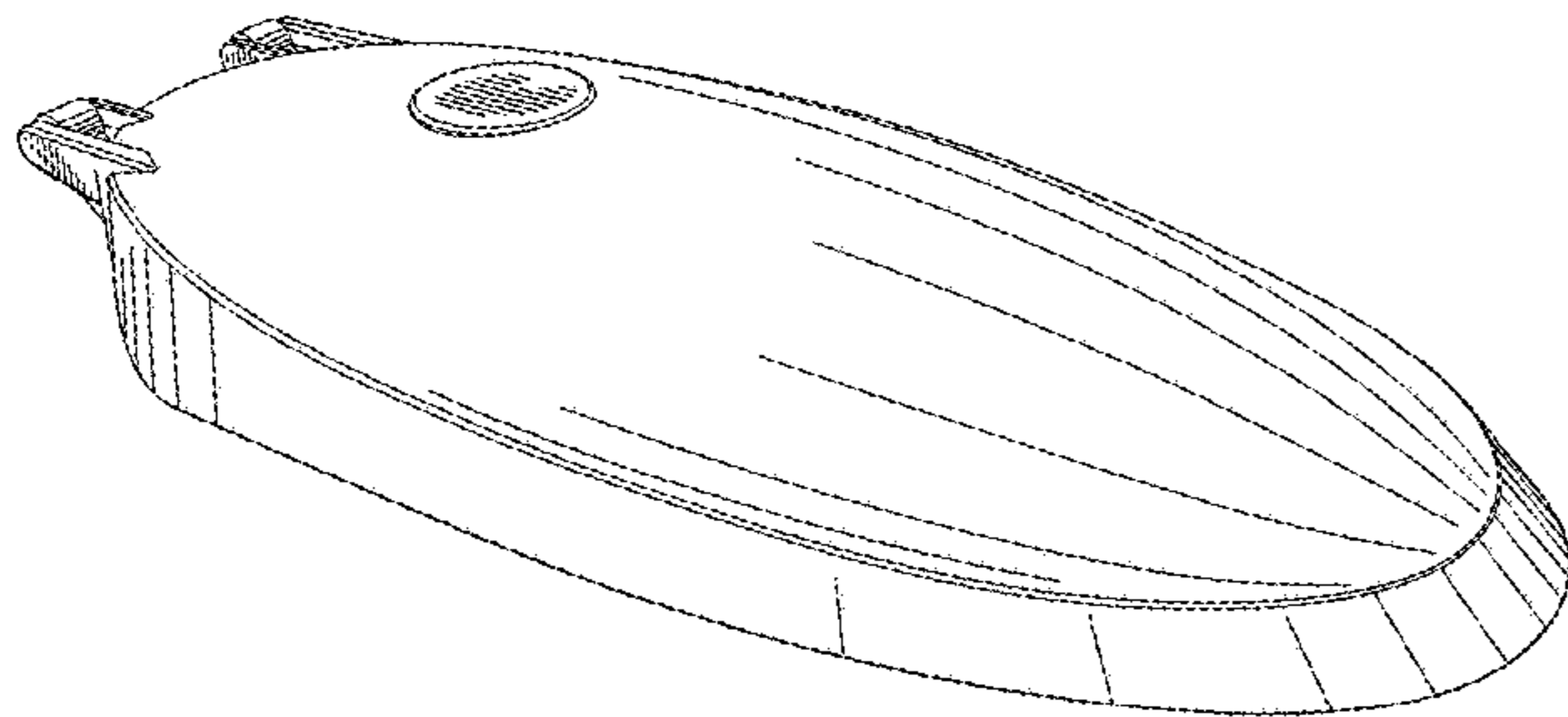
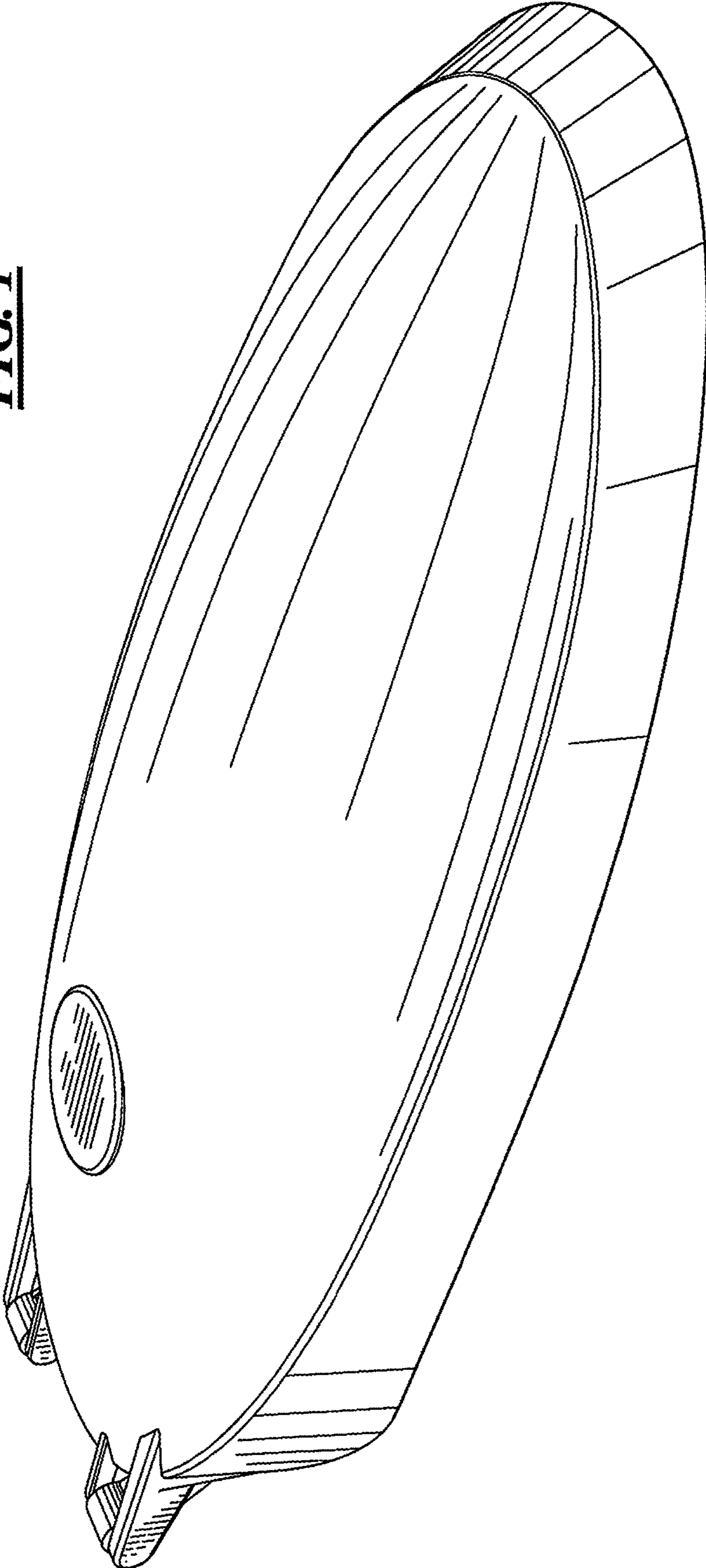


FIG. 1



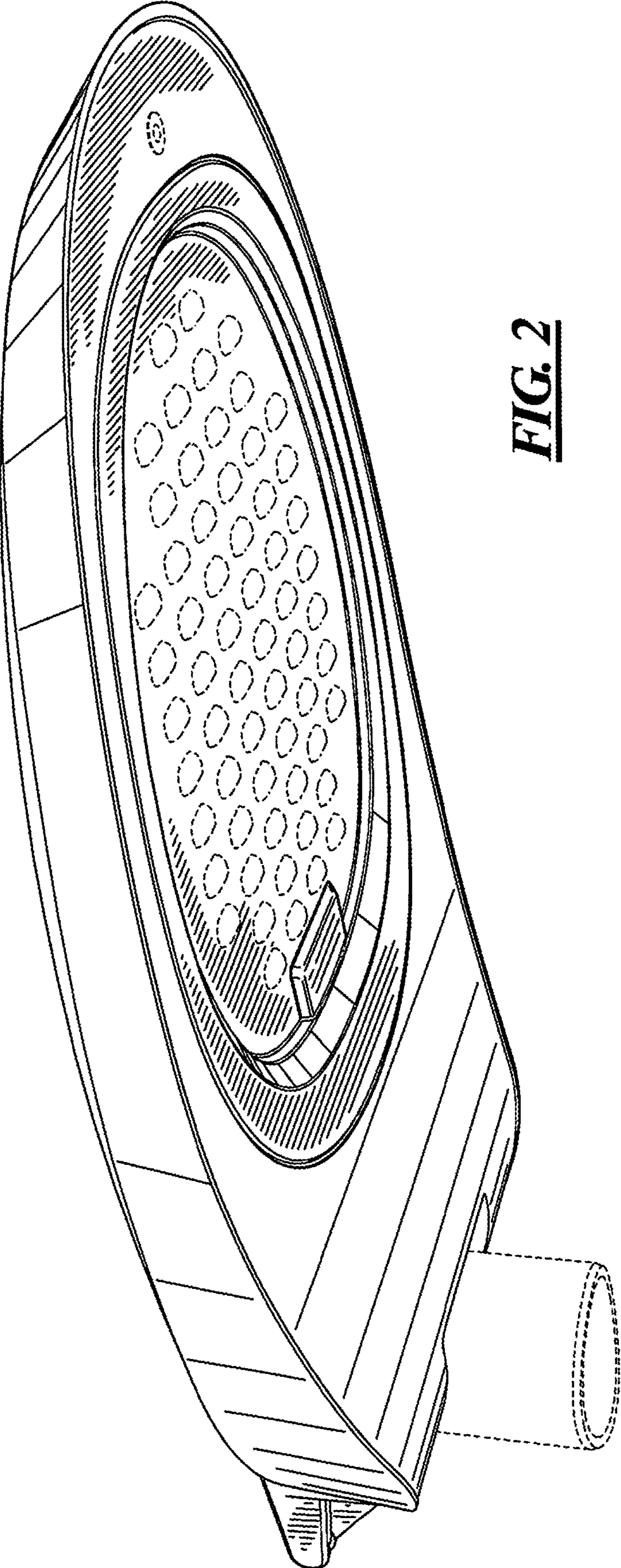


FIG. 2

FIG. 3

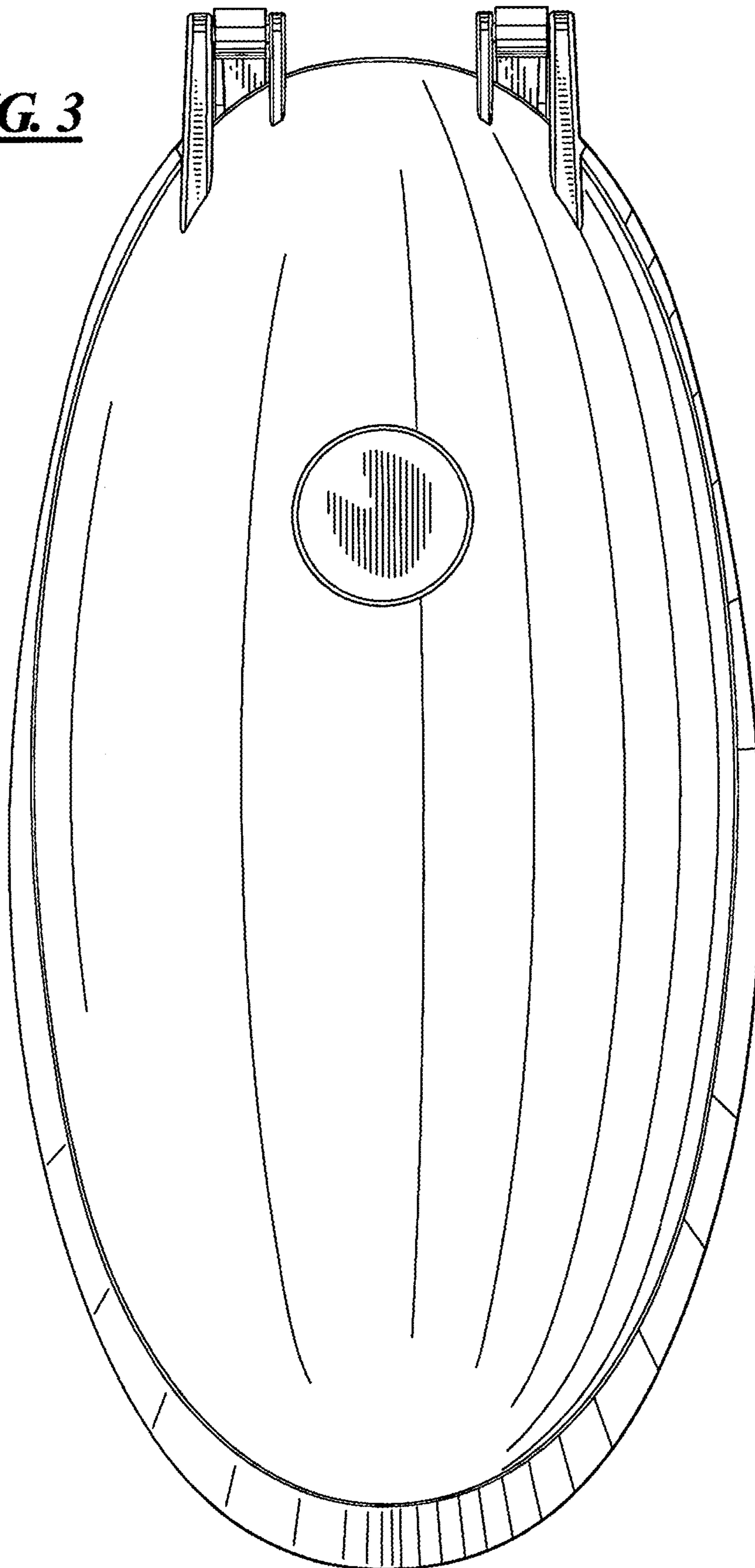


FIG. 4

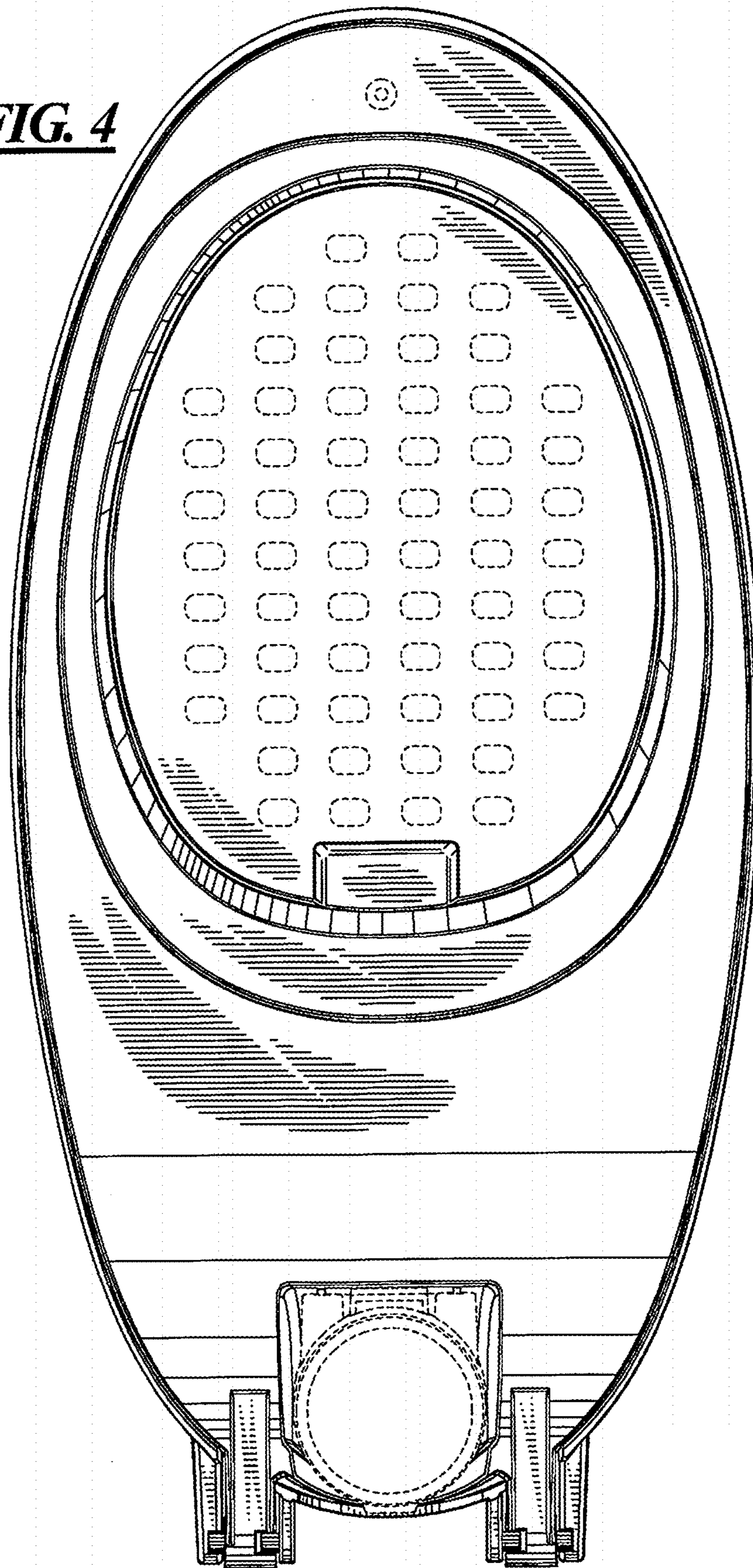


FIG. 5

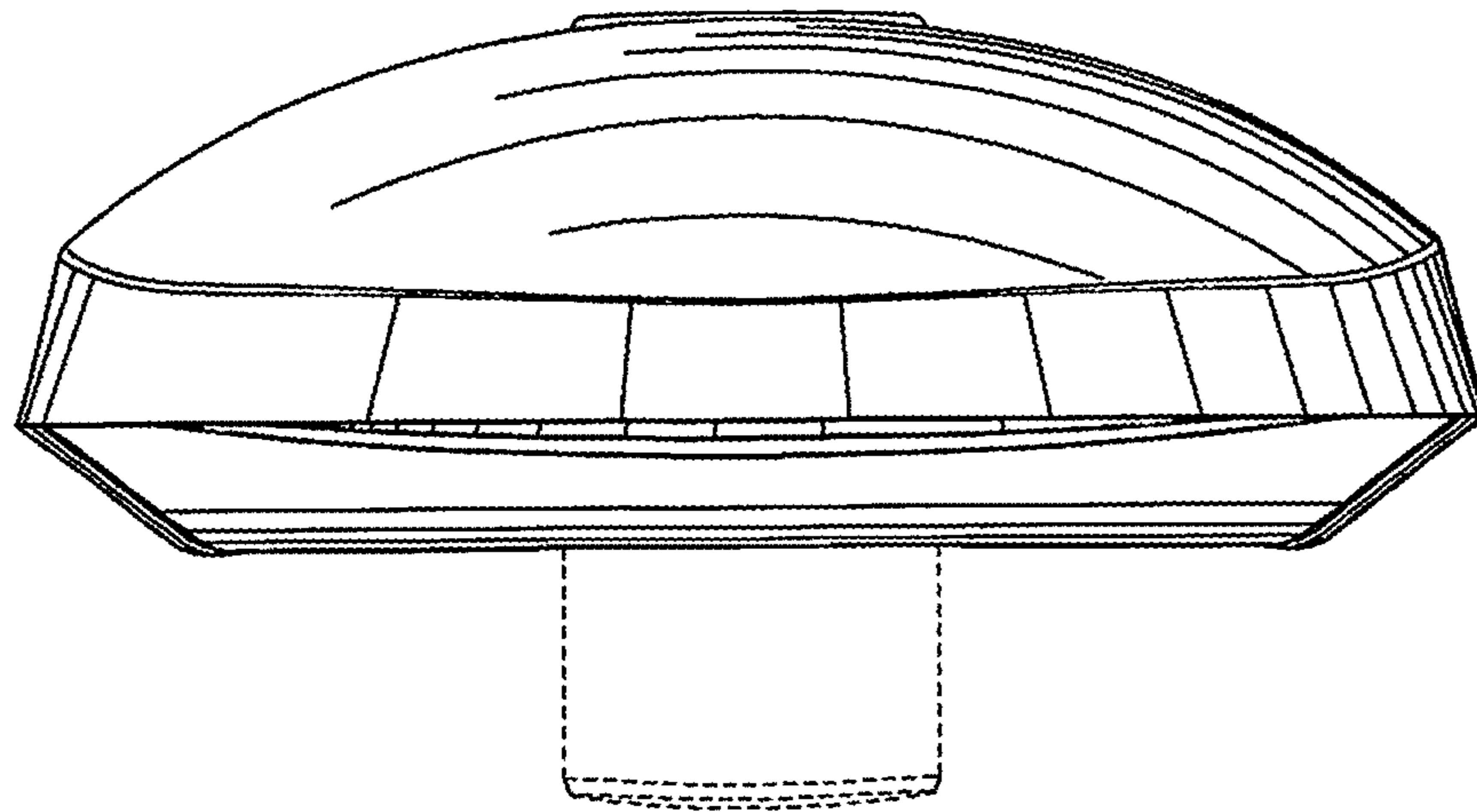


FIG. 6

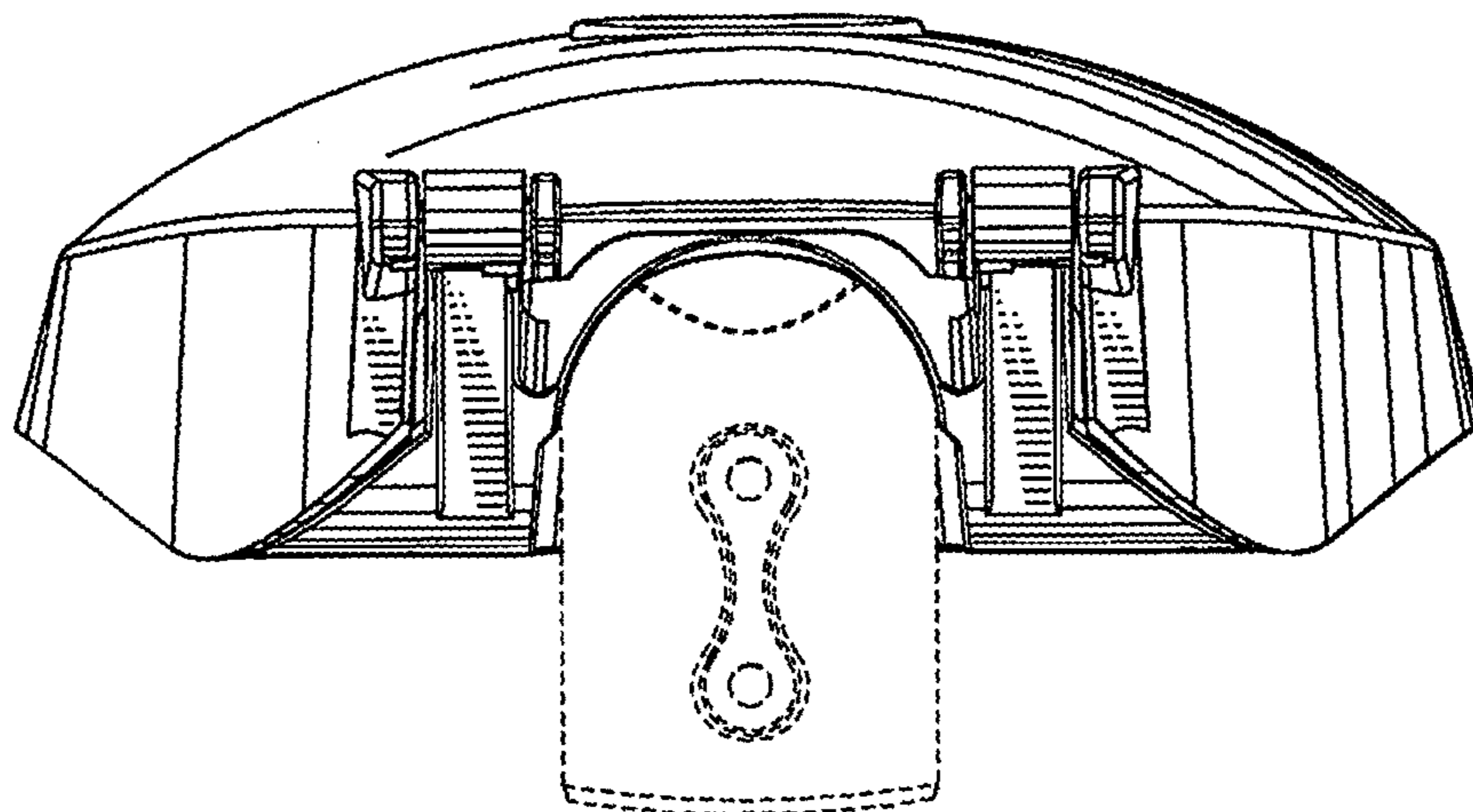


FIG. 7

