



US00D906564S

(12) **United States Design Patent** (10) **Patent No.:** **US D906,564 S**
Wu (45) **Date of Patent:** **** Dec. 29, 2020**

(54) **SOLAR TORCH LIGHT**

(71) Applicant: **Jianzhong Wu**, Fujian (CN)

(72) Inventor: **Jianzhong Wu**, Fujian (CN)

(**) Term: **15 Years**

(21) Appl. No.: **29/705,278**

(22) Filed: **Sep. 11, 2019**

(51) **LOC (12) Cl.** **26-05**

(52) **U.S. Cl.**
USPC **D26/67**

(58) **Field of Classification Search**
USPC D26/67-70, 85
CPC .. F21S 8/022; F21S 8/032; F21S 8/036; F21S 8/081; F21S 8/083; F21S 8/088; F21S 9/037; F21S 10/046; F21V 21/0824; F21W 2111/02; F21W 2111/023
See application file for complete search history.

(56) **References Cited**

U.S. PATENT DOCUMENTS

D252,894 S *	9/1979	Hazerjian	D26/67
D353,013 S *	11/1994	Szekely	D26/67
D477,682 S *	7/2003	Wang	D26/67
D517,716 S *	3/2006	Bucher	D26/67
D615,684 S *	5/2010	Chen	D26/68
D816,254 S *	4/2018	Zhang	D26/68
D824,562 S *	7/2018	Chen	D26/68
D841,213 S *	2/2019	Zhuo	D26/68
D843,041 S *	3/2019	Xiao	D26/68
D844,878 S *	4/2019	Zhang	D26/68
D851,315 S *	6/2019	Chen	D26/67
D862,761 S *	10/2019	Li	D26/68

OTHER PUBLICATIONS

Aogist Solar Lights,Solar Flame Torch Lights at amazon.com as early as Feb. 26, 2020. (Year: 2020).*
Solar Torch Light with Flickering Flame by Cefrank, available at amazon.com May 15, 2018. (Year: 2018).*
BAKIYA Solar Blue Flame 3 Mode Waterproof Torch Totem available at amazon.com Jun. 2, 2020. (Year: 2020).*

* cited by examiner

Primary Examiner — Clare E Heflin

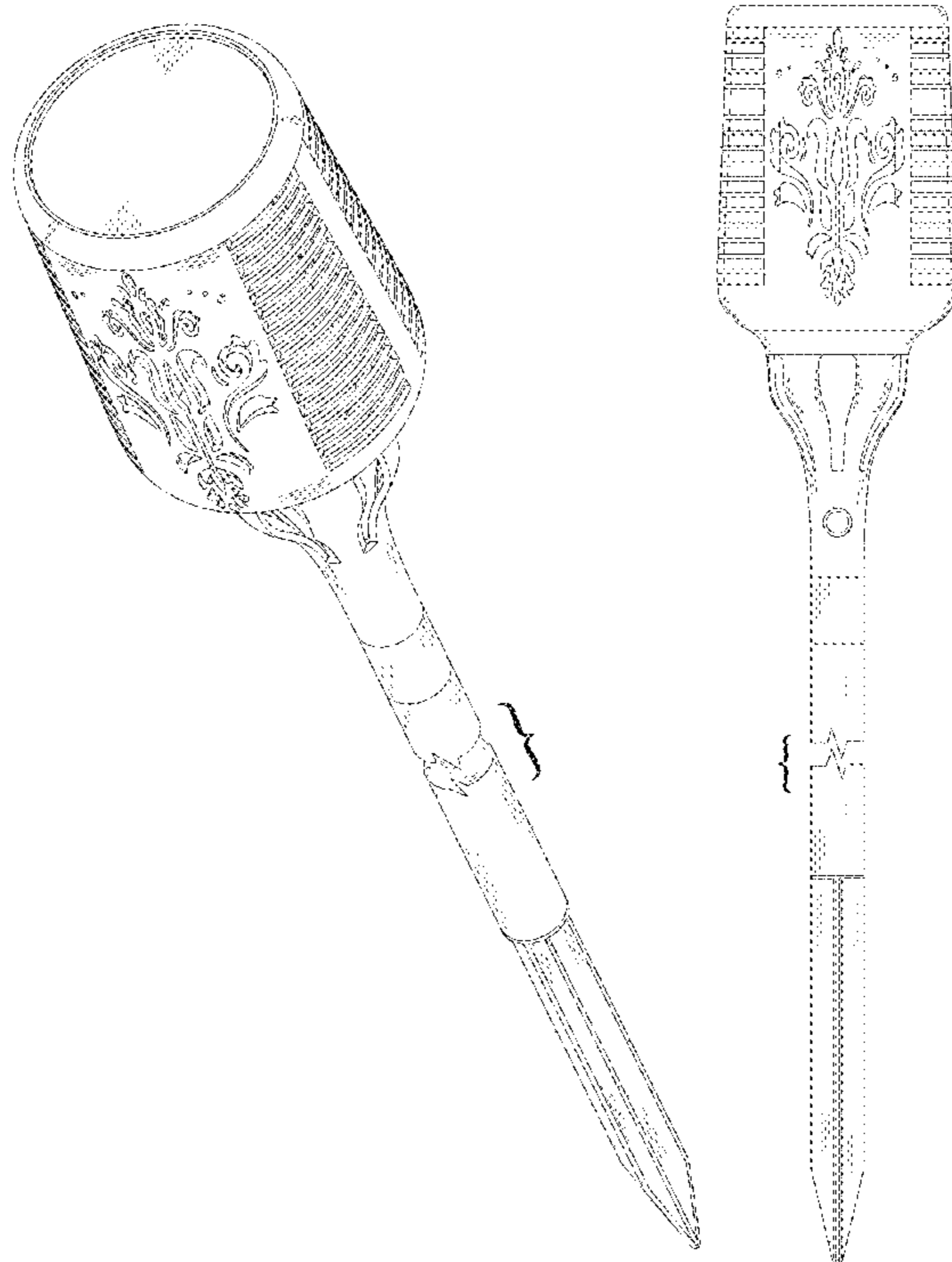
(57) **CLAIM**

The ornamental design for a solar torch light, as shown and described.

DESCRIPTION

FIG. 1 is a perspective view of a solar torch light showing my new design;
FIG. 2 is a front elevation view thereof;
FIG. 3 is a rear elevation view thereof;
FIG. 4 is a left side elevation view thereof;
FIG. 5 is a right side elevation view thereof;
FIG. 6 is a top plan view thereof;
FIG. 7 is a bottom plan view thereof; and,
FIG. 8 is an enlarged view of the solar torch light taken from the circled portion in FIG. 6.
The broken lines showing in the middle portion of the light leg indicates that the appearance of any portion of the article between the break lines forms no part of the claimed design.

1 Claim, 8 Drawing Sheets



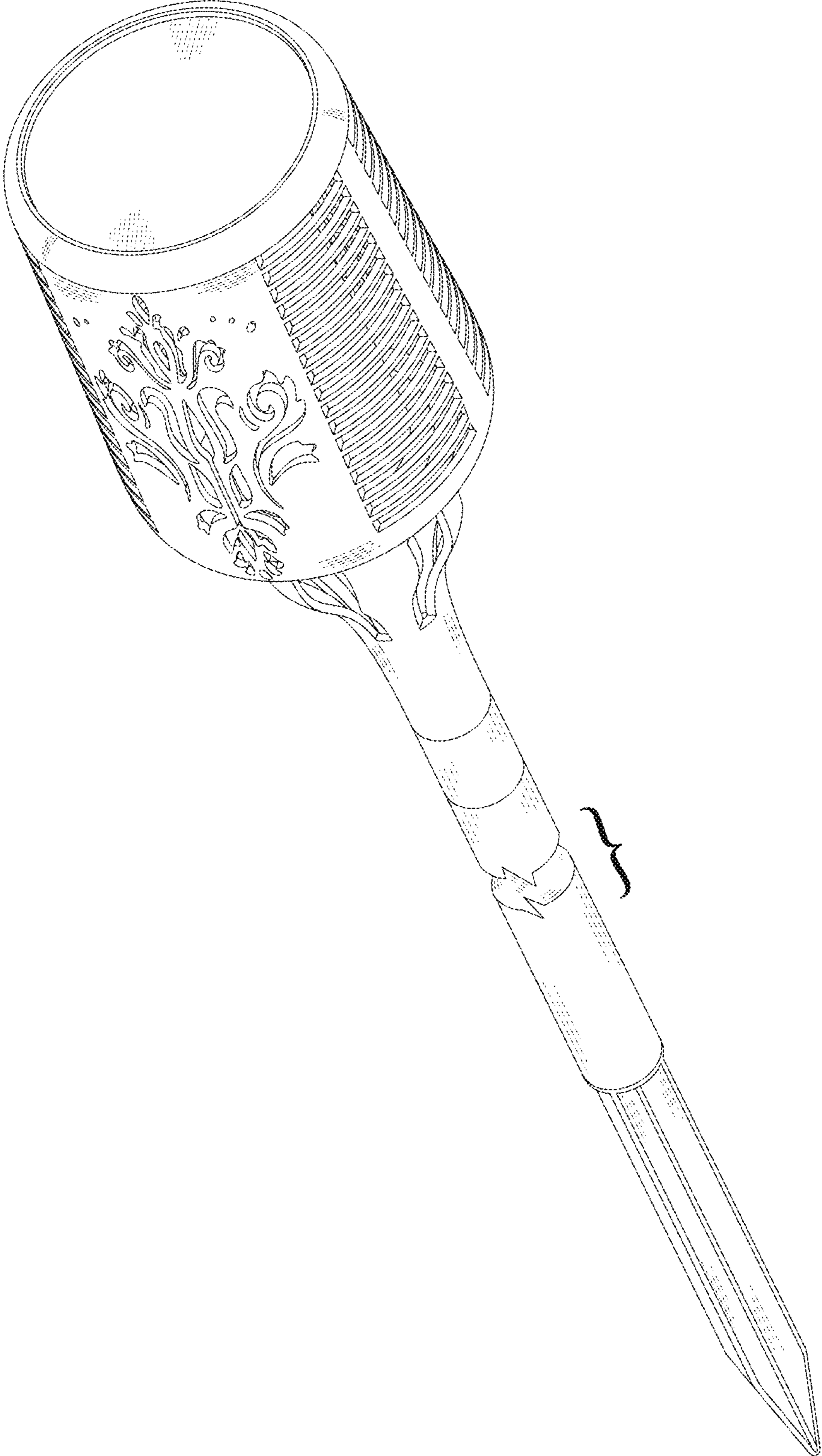


FIG.1

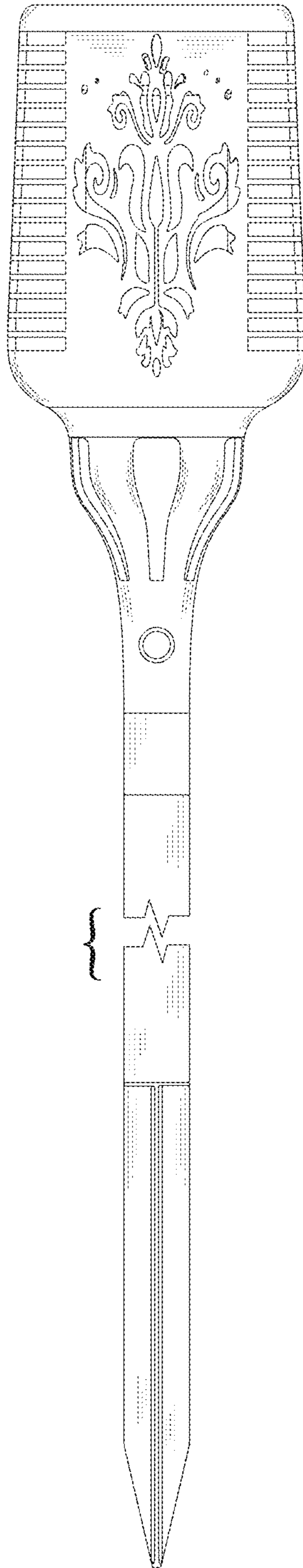


FIG.2

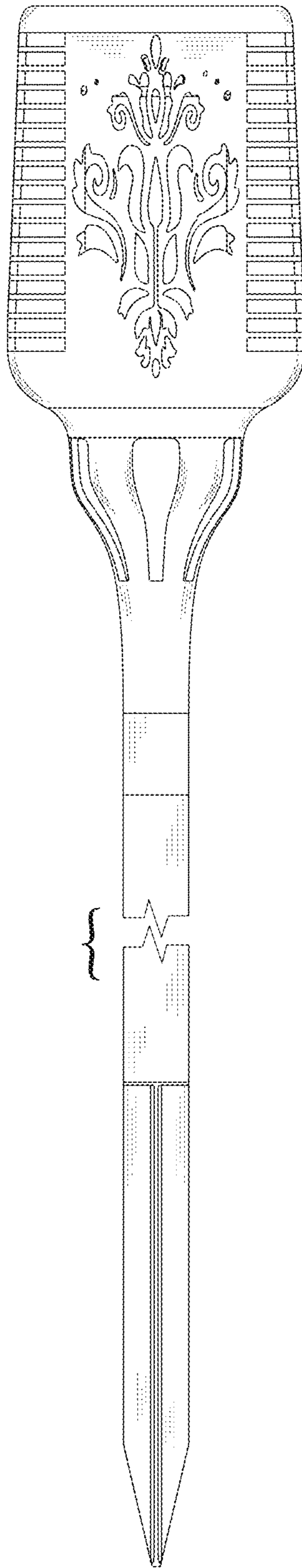


FIG.3

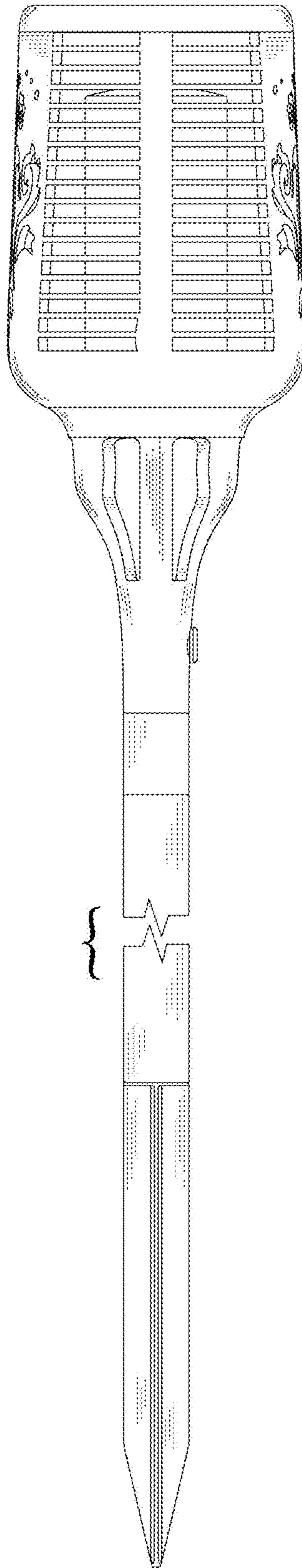


FIG.4

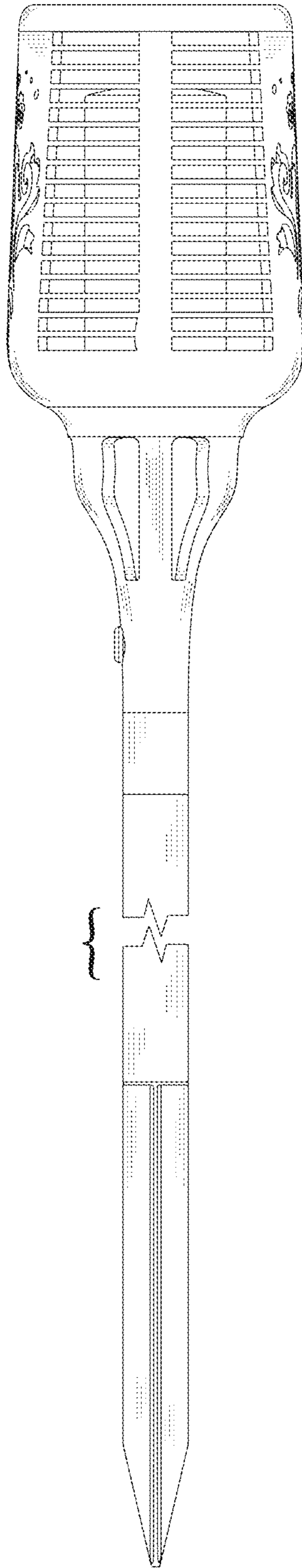


FIG. 5

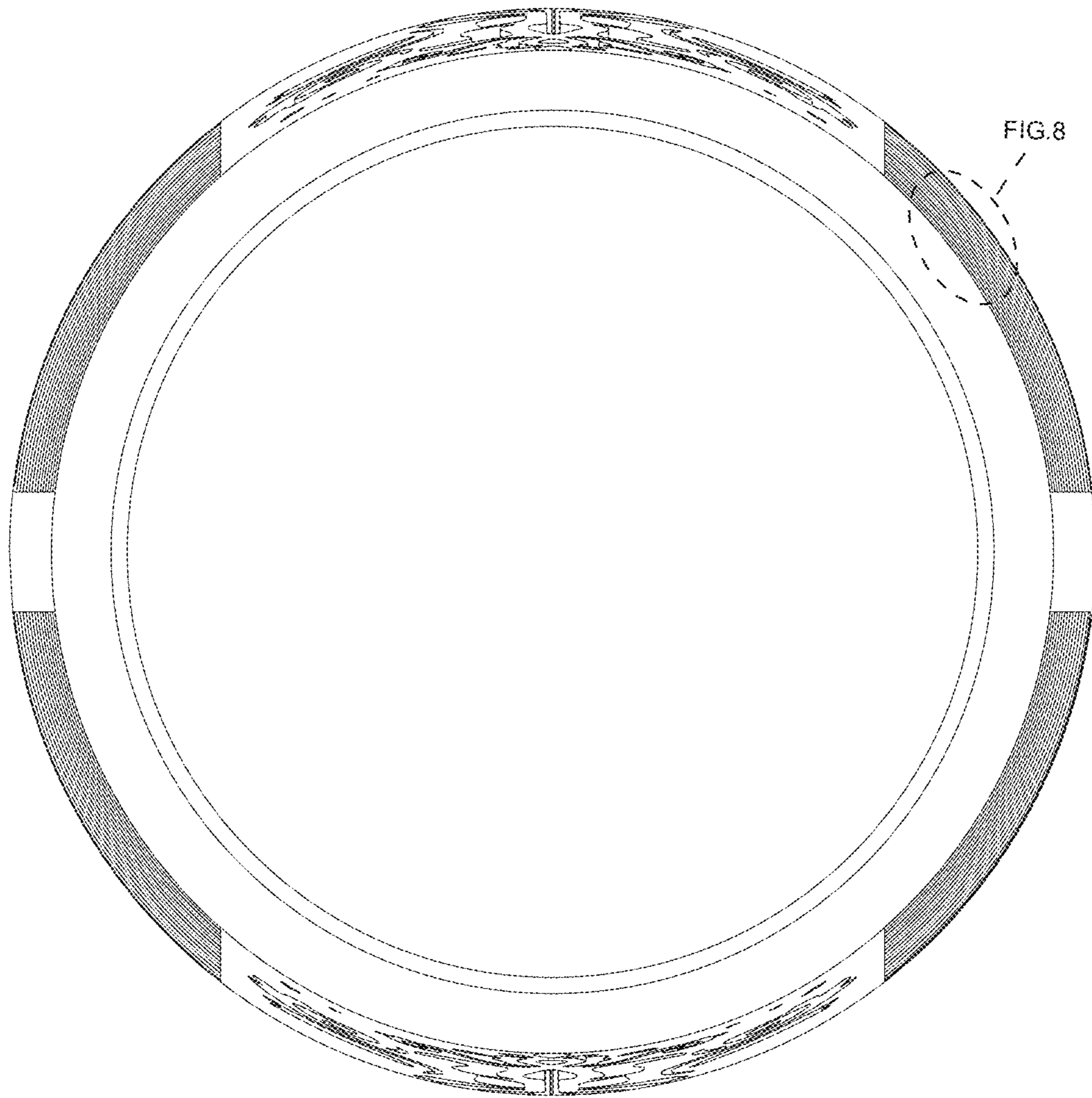


FIG. 6

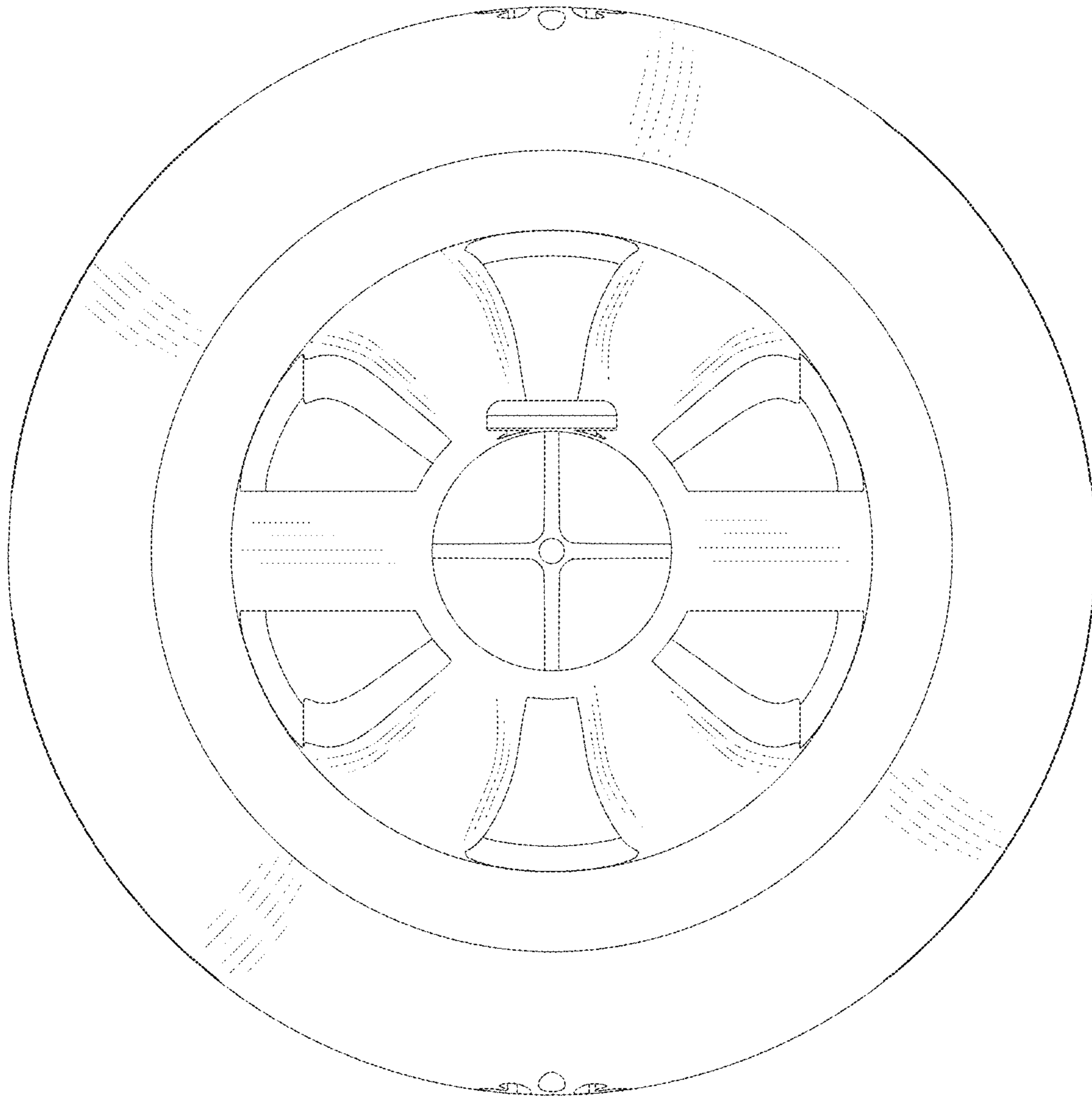


FIG. 7

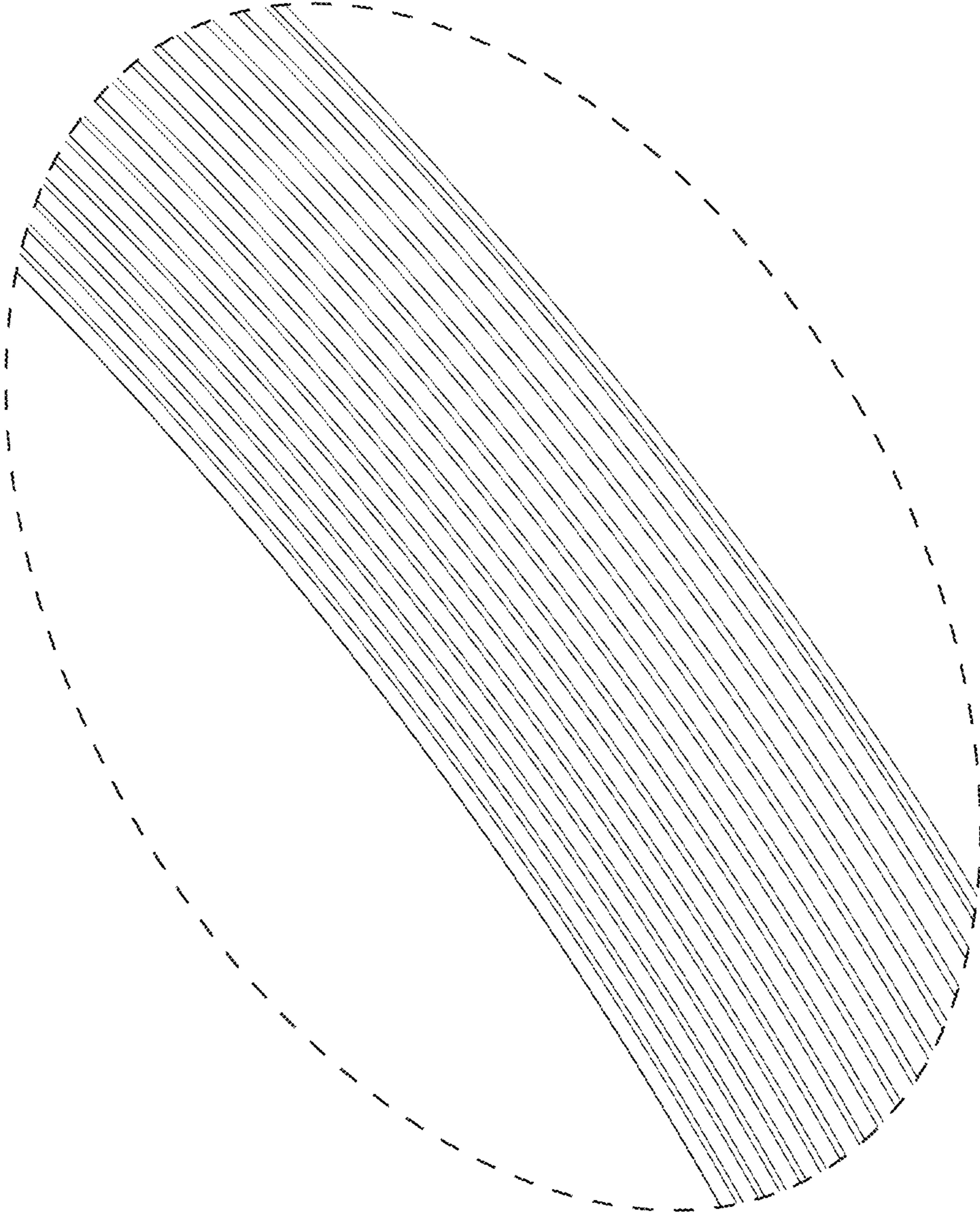


FIG. 8