



US00D906563S

(12) **United States Design Patent** (10) **Patent No.:** **US D906,563 S**
Muck (45) **Date of Patent:** **** Dec. 29, 2020**

(54) **FLOOD LIGHT** D689,232 S * 9/2013 Velazquez F21V 23/009 D26/63
(71) Applicant: **OASE GmbH**, Hörstel-Riesenbeck D739,064 S * 9/2015 Heiner D26/63
(DE) D747,516 S * 1/2016 Yang D26/28
D815,769 S * 4/2018 Gong D26/63
(72) Inventor: **Thorsten Muck**, D845,530 S * 4/2019 Yu D26/63
Nachroth-Wiblingswerde (DE) D858,839 S * 9/2019 Deng D26/63
D858,841 S * 9/2019 Deng D26/63
(73) Assignee: **OASE GmbH**, Hörstel-Riesenbeck D861,202 S * 9/2019 Renvall D26/28
(DE) D866,835 S * 11/2019 Amin D26/63
2013/0027934 A1 * 1/2013 Velazquez F21V 23/009 362/249.01
(**) Term: **15 Years** 2017/0079108 A1 * 3/2017 Campetella F21K 9/62

(21) Appl. No.: **29/660,220**

(22) Filed: **Aug. 20, 2018**

(30) **Foreign Application Priority Data**

Feb. 21, 2018 (EM) 004718401

(51) **LOC (12) Cl.** **26-05**

(52) **U.S. Cl.**
USPC **D26/63**

(58) **Field of Classification Search**

USPC D26/1, 24, 28, 29, 44, 46, 61, 63, 119,
D26/123, 124; 362/227, 217.1, 217.12,
362/217.13, 217.16, 217.17, 249.07
CPC F21V 29/74; F21V 29/83; F21V 29/763;
F21V 15/00; F21V 15/01; F21V 15/04;
F21V 15/012; F21V 21/06; F21V 21/15;
F21V 21/30; F21W 2131/10; F21W
2131/40; F21W 2131/406; F21W
2131/1005

See application file for complete search history.

(56) **References Cited**

U.S. PATENT DOCUMENTS

D589,636 S * 3/2009 Pinette D26/63
D664,285 S * 7/2012 Toft F21V 21/30
D26/118

* cited by examiner

Primary Examiner — Wan Laymon

Assistant Examiner — Clint A Samuel

(74) *Attorney, Agent, or Firm* — Gudrun E. Huckett

(57) **CLAIM**

The ornamental design for a flood light, as shown and described.

DESCRIPTION

FIG. 1 is a perspective view of a flood light showing a transparent cover behind which a set of eight elements are arranged;

FIG. 2 is a front plan view thereof;

FIG. 3 is a rear plan view thereof;

FIG. 4 is a right side plan view thereof;

FIG. 5 is a left side plan view thereof;

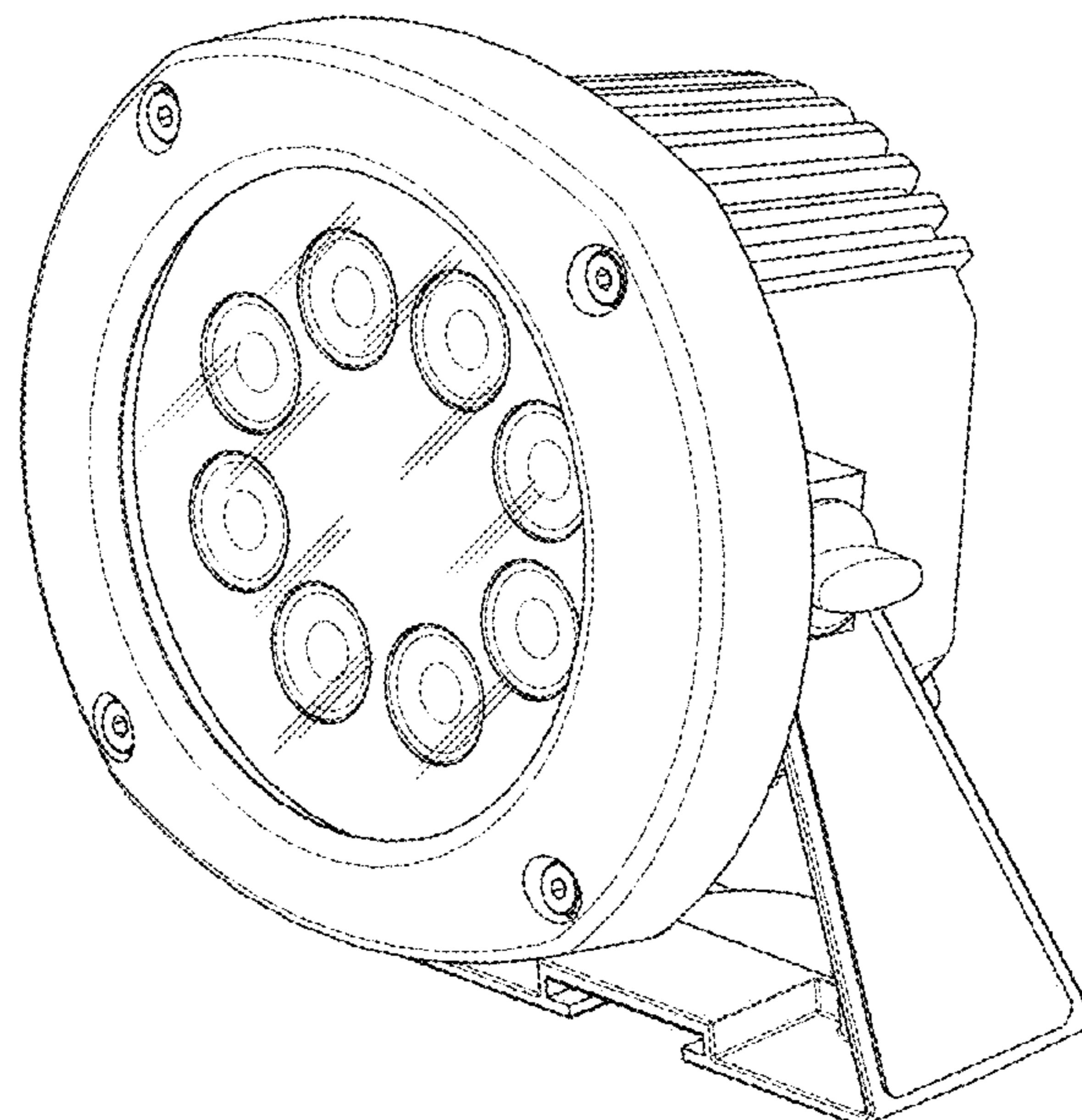
FIG. 6 is a top plan view thereof;

FIG. 7 is a bottom plan view thereof; and,

FIG. 8 is a section view thereof, taken along line VIII-VIII of FIG. 2, to illustrate the shape of the individual elements of the set of eight elements behind the transparent cover.

Parts and elements illustrated in broken lines form no part of the claimed design.

1 Claim, 8 Drawing Sheets



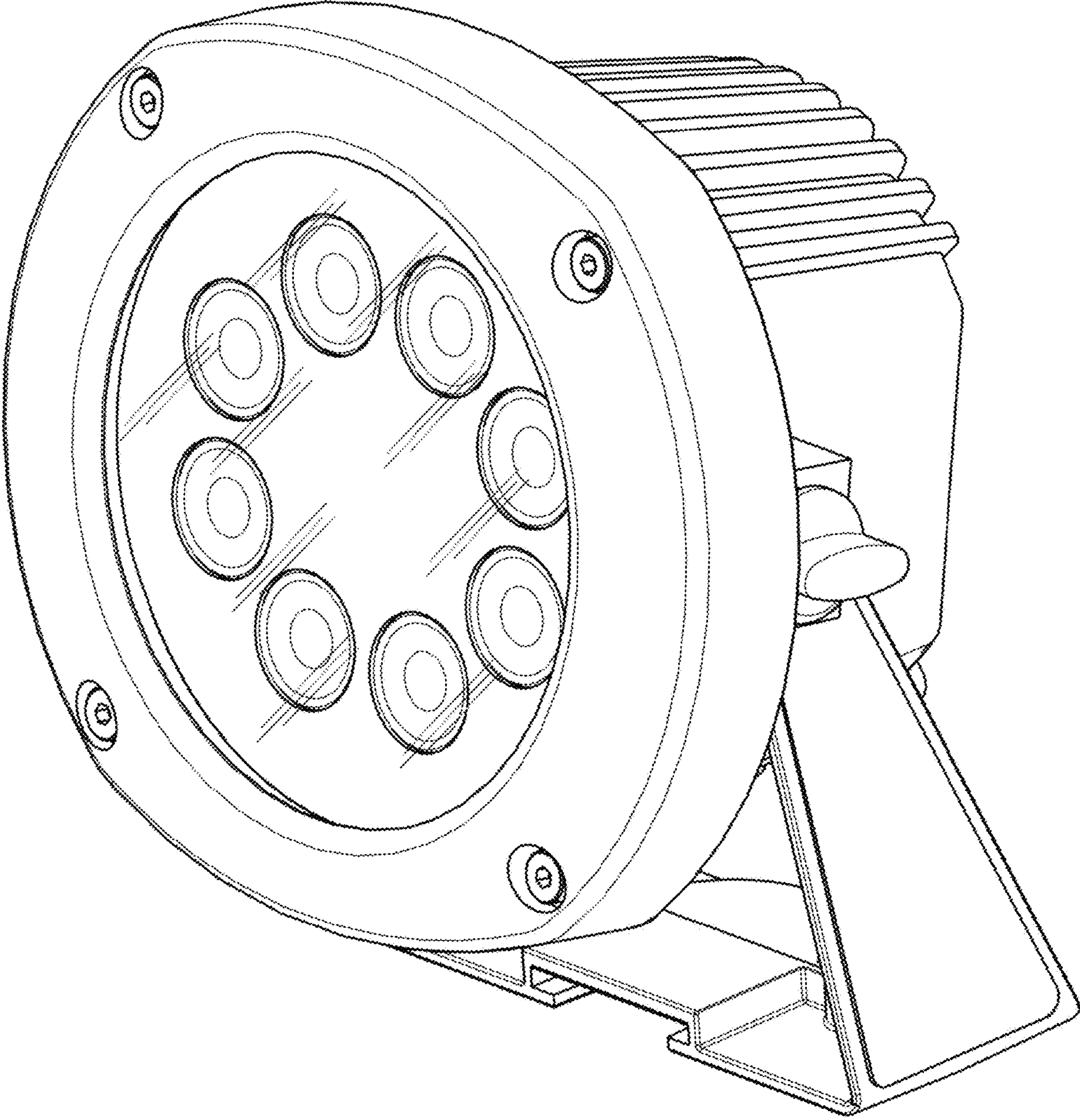


Fig. 1

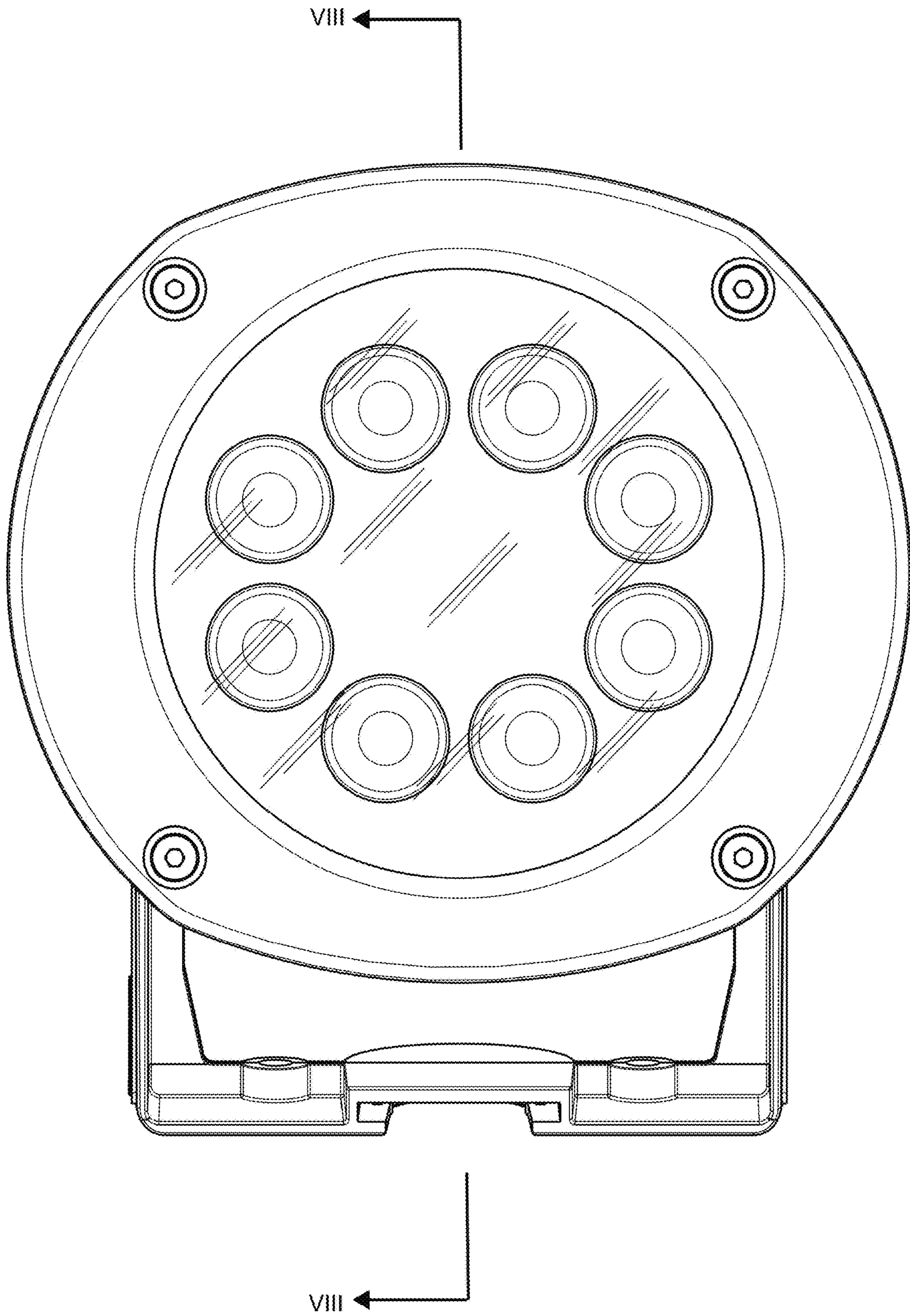


Fig. 2

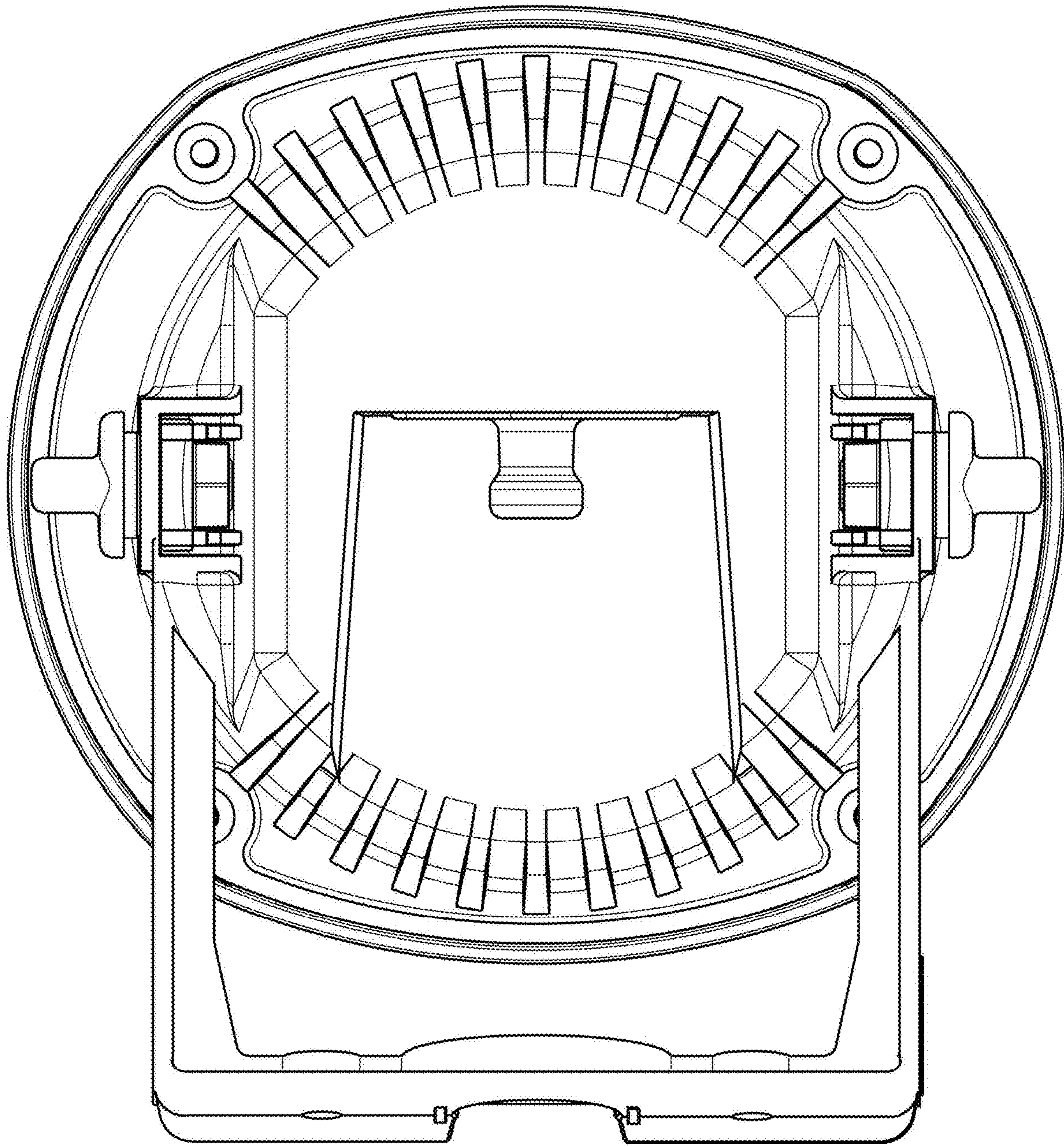


Fig. 3

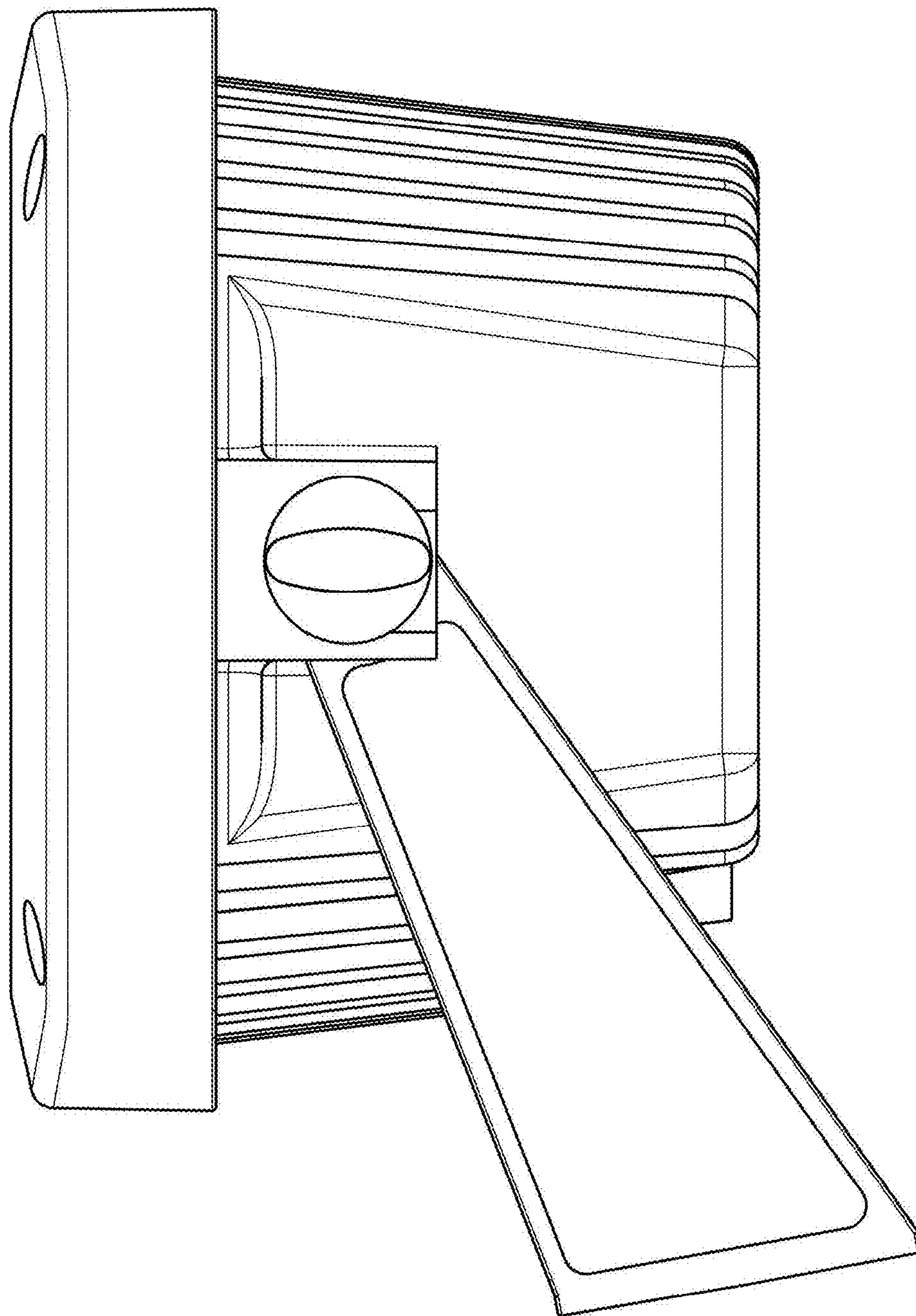


Fig. 4

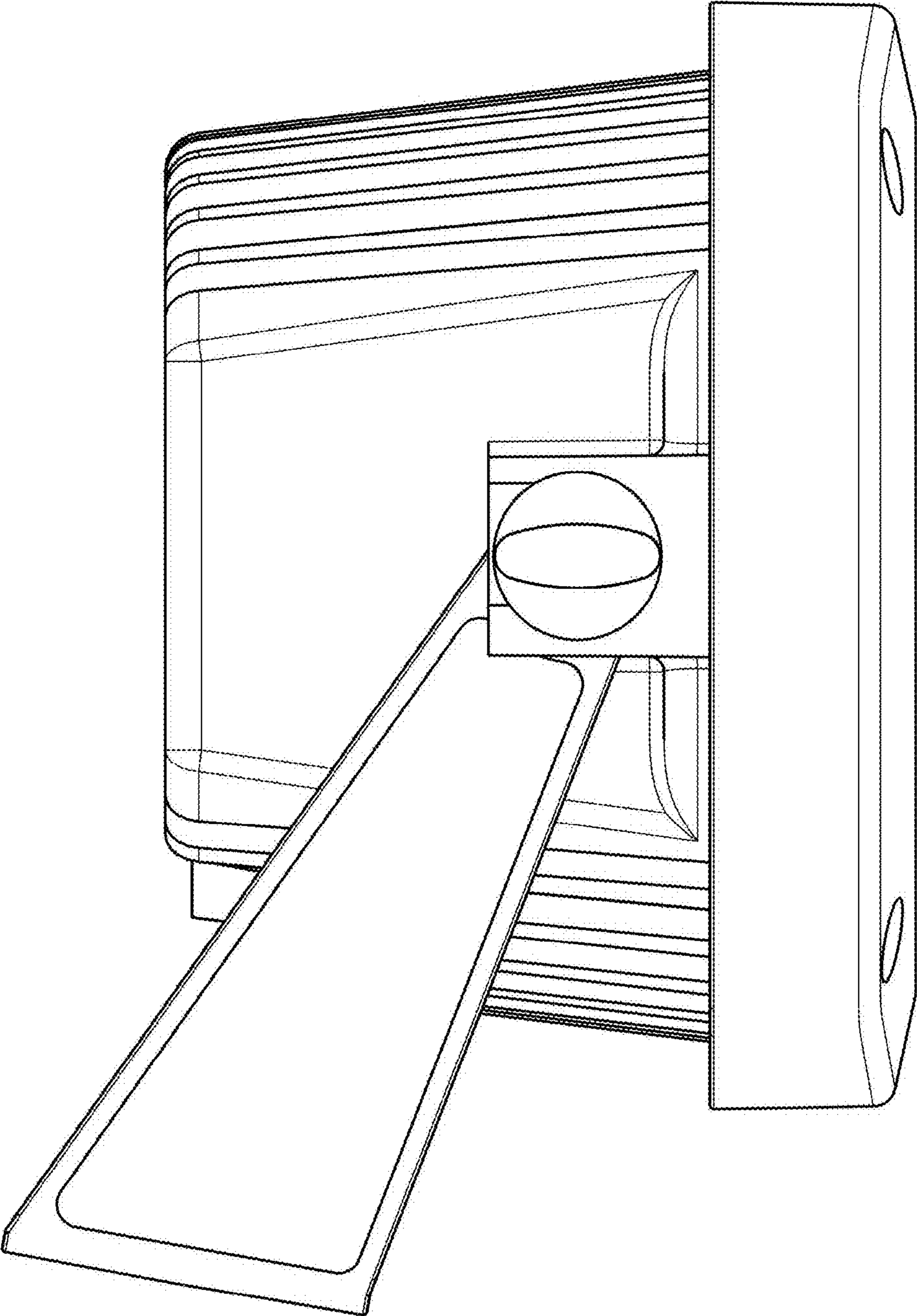


Fig. 5

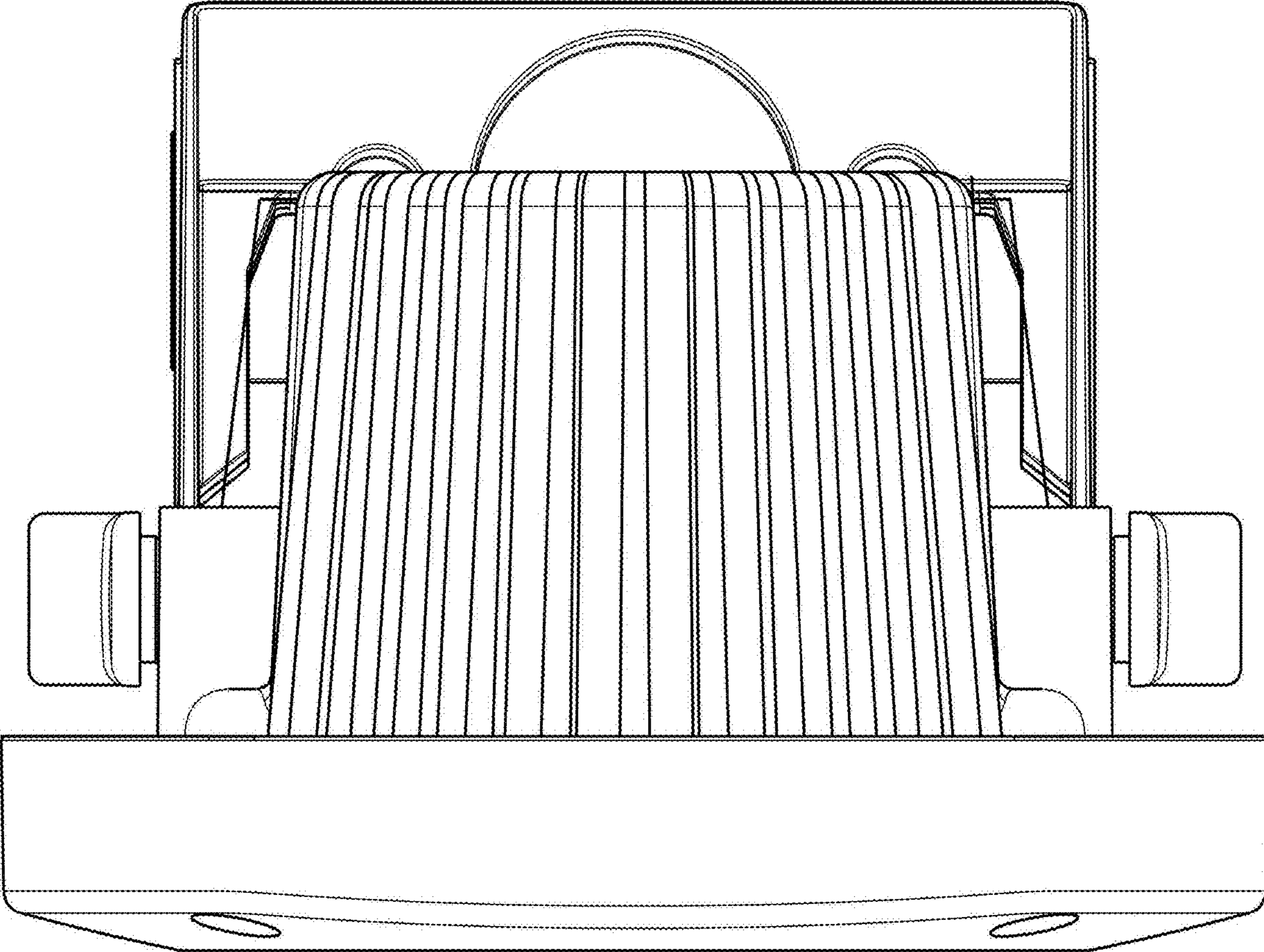


Fig. 6

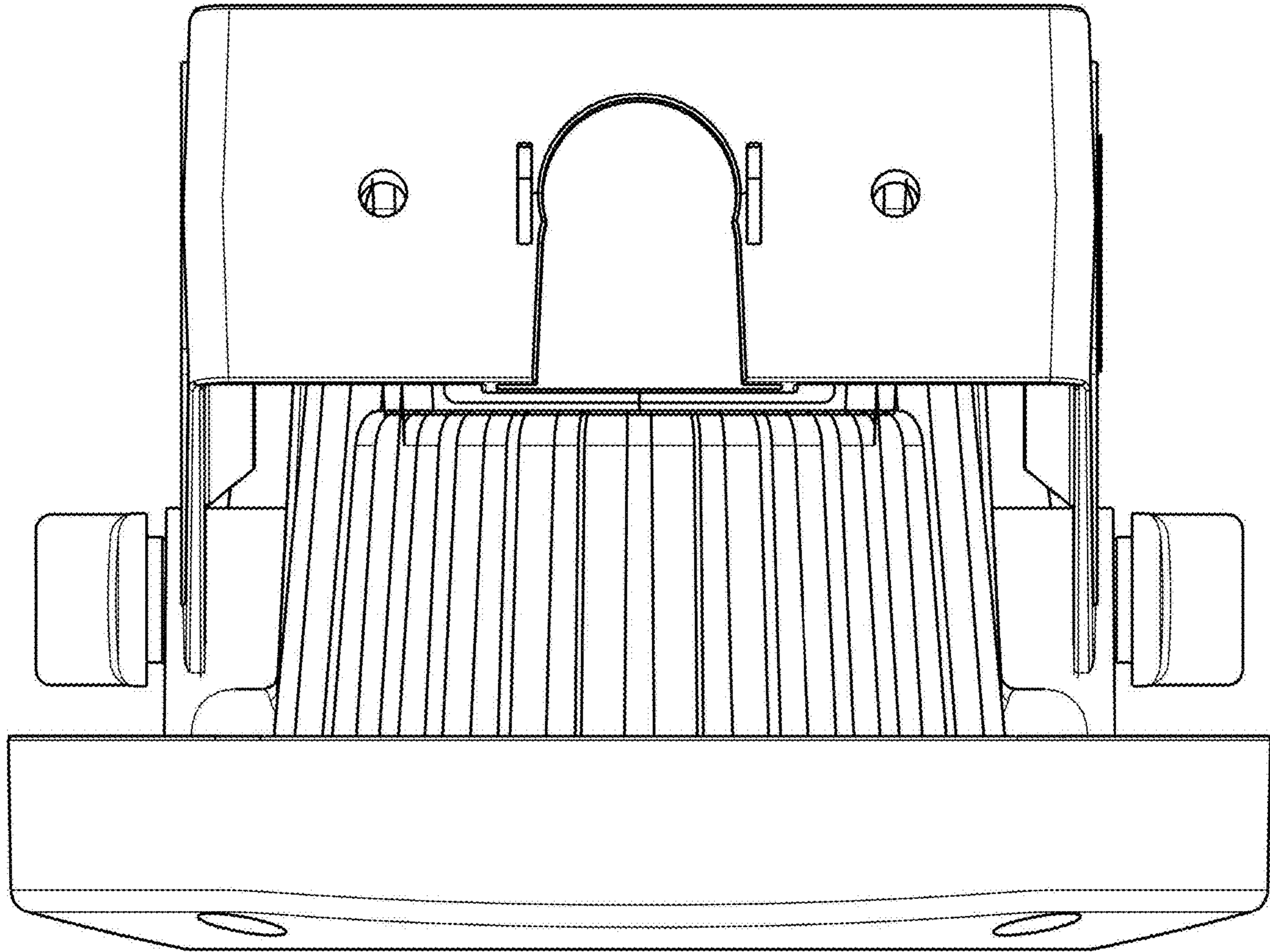


Fig. 7

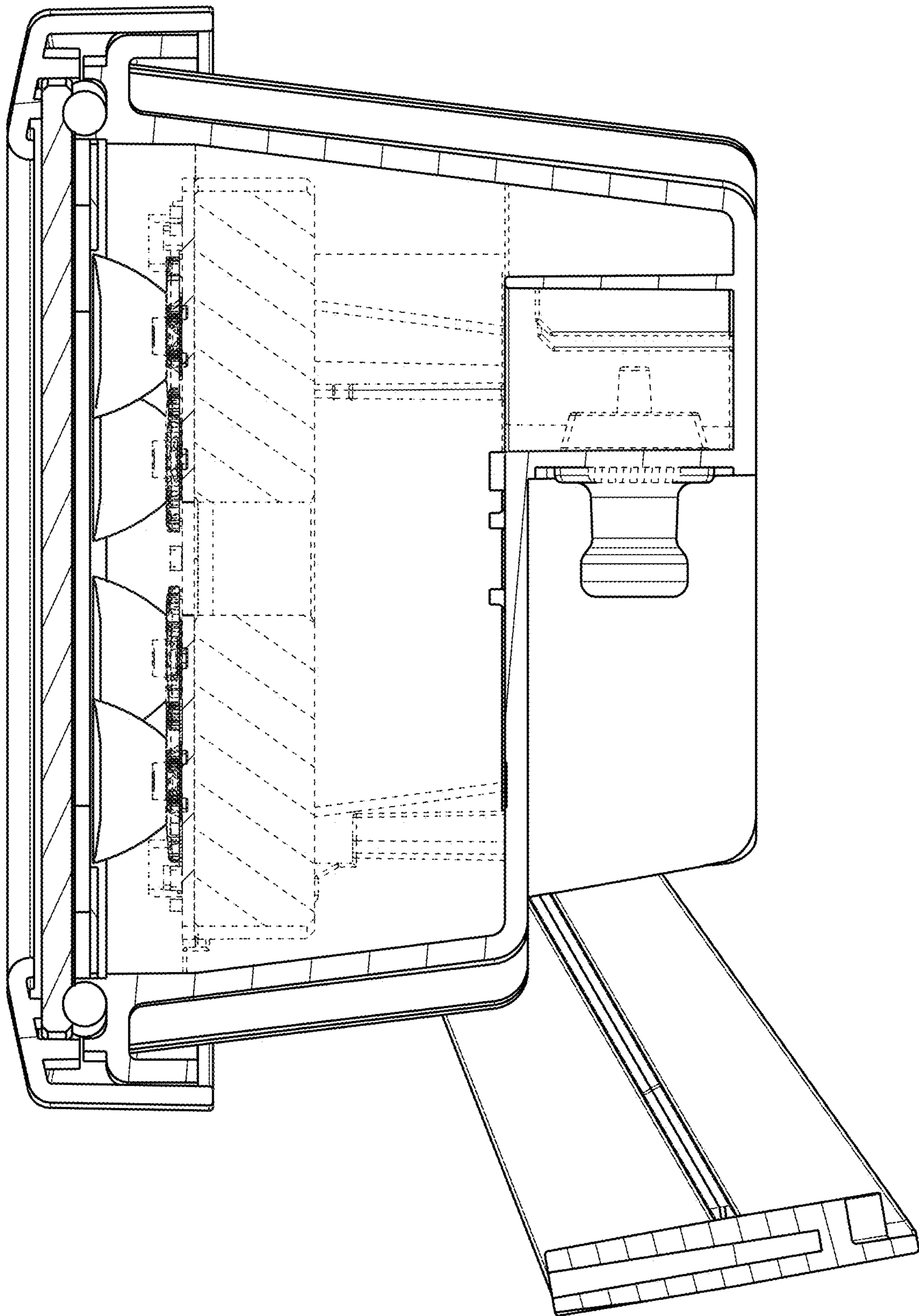


Fig. 8