



US00D906562S

(12) **United States Design Patent**
Hawk et al.

(10) **Patent No.:** **US D906,562 S**

(45) **Date of Patent:** **** Dec. 29, 2020**

(54) **LIGHTING DEVICE**

(71) Applicant: **Streamlight, Inc.**, Eagleville, PA (US)

(72) Inventors: **Joshua D. Hawk**, Limerick, PA (US);
William D. Worman, Phoenixville, PA (US)

(73) Assignee: **Streamlight, Inc.**, Eagleville, PA (US)

(**) Term: **15 Years**

(21) Appl. No.: **29/669,174**

(22) Filed: **Nov. 6, 2018**

(51) **LOC (12) Cl.** **26-05**

(52) **U.S. Cl.**
USPC **D26/60; D22/108**

(58) **Field of Classification Search**
USPC D22/100, 103, 108-109, 199; D8/68, 83,
D8/303; D10/66; D26/28, 37-38, 42,
D26/60-63
CPC F41G 1/35; F41G 1/345; F21L 4/00; F21V
21/34; F21V 23/0414; F21V 21/00; B62J
6/02; F21S 4/00

See application file for complete search history.

(56) **References Cited**

U.S. PATENT DOCUMENTS

3,867,764	A *	2/1975	Dunmire	F41G 11/003 42/115
4,777,754	A *	10/1988	Reynolds, Jr.	F41G 1/345 362/110
D394,096	S *	5/1998	Edgar	D22/108
6,185,854	B1 *	2/2001	Solinsky	F41G 1/35 362/110
D510,402	S *	10/2005	Owens	D22/108
D526,079	S *	8/2006	Heun	D26/60
7,178,933	B1 *	2/2007	Chuang	B62J 6/02 362/106
7,199,315	B1	4/2007	Sharrah et al.		
D541,965	S *	5/2007	Shiu	D26/60
D548,385	S *	8/2007	Sharrah	D26/51

D566,871	S *	4/2008	Kumthampinij	D26/60
7,441,364	B2 *	10/2008	Rogers	F41G 1/35 42/114
D585,516	S *	1/2009	Smith	D22/108
D602,620	S *	10/2009	Cristoforo	D26/60

(Continued)

OTHER PUBLICATIONS

Surefire, DSF-500/590 Ultra-High Two-Output-Mode LED WeaponLight for Mossberg 500 and 590 [online]. [Retrieved on Oct. 2, 2018] Retrieved from the internet: <<https://www.surefire.com/dsf-500-590-shotgun-forend.html>>.

(Continued)

Primary Examiner — Sheryl Lane
Assistant Examiner — Stacey L Hopkins
(74) *Attorney, Agent, or Firm* — Quarles & Brady LLP;
James J. Aquilina

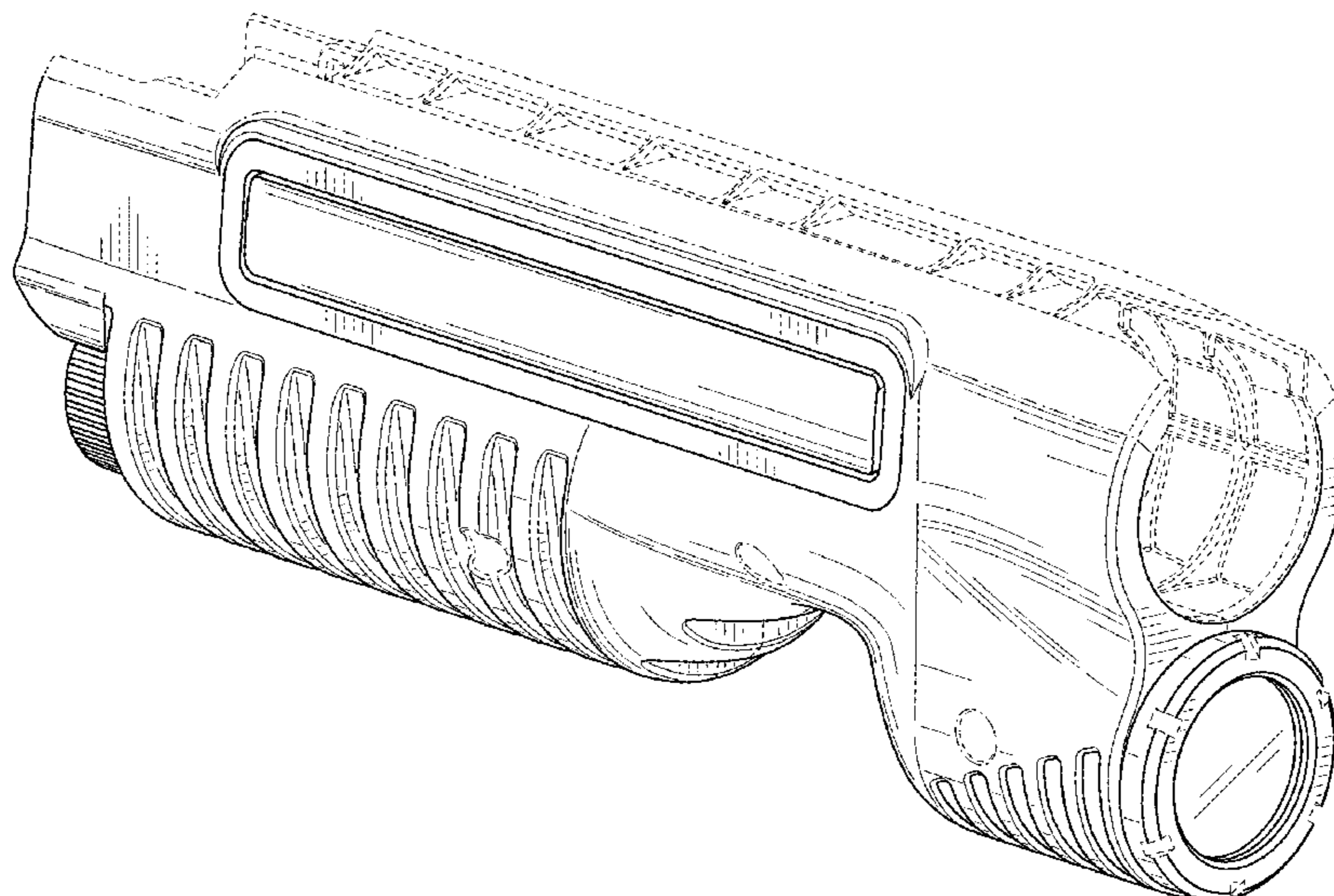
(57) **CLAIM**

The ornamental design for a lighting device, as shown and described.

DESCRIPTION

FIG. 1 is a front perspective view of a lighting device showing our new design;
FIG. 2 is a front view thereof;
FIG. 3 is a rear view thereof;
FIG. 4 is a left side view thereof, the right side view being a mirror image thereof;
FIG. 5 is a top view thereof; and,
FIG. 6 is a bottom view thereof.
The dashed broken lines in the Figures show unclaimed portions of the lighting device. The dashed-dotted broken lines in the Figures show unclaimed boundaries between the claim and unclaimed portions of the lighting device. The oblique line shading in FIGS. 1 and 2 shows translucent or transparent materials.

1 Claim, 4 Drawing Sheets



(56)

References Cited

U.S. PATENT DOCUMENTS

D612,970 S * 3/2010 Sharrah D26/60
 D619,744 S * 7/2010 Chen D26/60
 D622,881 S * 8/2010 Sanoner D26/60
 D642,714 S * 8/2011 Chuah D26/60
 D647,159 S * 10/2011 Kobayashi D22/109
 D667,581 S * 9/2012 Lee D26/28
 D670,838 S * 11/2012 Ueda D26/28
 D673,709 S * 1/2013 Sharrah D26/60
 D674,525 S * 1/2013 Sharrah D26/60
 D674,858 S * 1/2013 Galli D22/108
 D678,562 S * 3/2013 Chan D26/28
 8,529,083 B1 * 9/2013 Reed F41G 1/35
 362/110
 D702,798 S * 4/2014 Booth D22/108
 D711,492 S * 8/2014 Yan D22/108
 8,806,795 B1 * 8/2014 Kay F41C 27/00
 42/146
 D715,886 S * 10/2014 Pittman D22/109
 8,904,698 B2 * 12/2014 Riley F41G 1/35
 362/110
 8,911,103 B2 * 12/2014 Matthews A45F 5/02
 362/191
 9,016,911 B2 * 4/2015 Kurumatani F21V 23/0414
 362/473
 D750,726 S * 3/2016 Cheng D22/109
 D757,205 S * 5/2016 Pittman D22/109
 9,488,439 B2 * 11/2016 Galli F41G 11/003
 D787,729 S * 5/2017 Jin D26/60
 D796,622 S * 9/2017 Sharrah D22/109
 D800,362 S * 10/2017 Galli D26/60
 9,841,258 B1 * 12/2017 Galli F41G 11/003
 D807,981 S * 1/2018 Cheng D22/108
 D808,489 S * 1/2018 Cheng D22/108
 D810,339 S * 2/2018 Peng D26/60
 D813,340 S * 3/2018 Galli D22/108
 D814,677 S * 4/2018 Sukphisit D26/60
 D818,076 S * 5/2018 Sheikh D22/117
 D819,160 S * 5/2018 Hamilton D22/109
 D821,621 S * 6/2018 Noble D26/51
 D823,513 S * 7/2018 Iraneta Olcoz D26/60
 10,030,939 B2 * 7/2018 Kowalczyk, Jr. F41G 11/003
 10,041,763 B2 * 8/2018 Chavez F41G 1/033
 D828,595 S * 9/2018 Lake D26/38
 D829,841 S * 10/2018 Galli D22/108
 10,184,756 B1 * 1/2019 McCauley F41G 1/35
 D844,734 S * 4/2019 Cheng D22/108
 10,281,237 B2 * 5/2019 Liang F41G 3/065
 D857,268 S * 8/2019 Worman D26/60
 D857,960 S * 8/2019 Worman D26/60
 D876,572 S * 2/2020 Ding D22/108
 10,563,957 B1 * 2/2020 Hamilton F21V 23/04
 10,605,569 B2 * 3/2020 Lupher F41G 1/35
 D885,509 S * 5/2020 Pittman D22/108
 D885,510 S * 5/2020 Wells D22/108
 10,670,251 B1 * 6/2020 Hawk F21V 23/0414
 2005/0246936 A1 * 11/2005 Kay F41G 11/003
 42/146

2007/0202468 A1 * 8/2007 Iwasawa F41G 1/35
 434/21
 2007/0227056 A1 * 10/2007 Howe F41G 1/35
 42/146
 2007/0277422 A1 * 12/2007 Ding F41G 11/003
 42/146
 2008/0055888 A1 * 3/2008 Sharrah F21L 4/025
 362/106
 2009/0013580 A1 * 1/2009 Houde-Walter F41G 11/003
 42/114
 2009/0122527 A1 * 5/2009 Galli F41G 1/35
 362/110
 2010/0097789 A1 * 4/2010 Sharrah F41G 11/003
 362/110
 2010/0164401 A1 * 7/2010 Matthews F21V 29/70
 315/294
 2011/0167707 A1 * 7/2011 Gross F41C 23/16
 42/114
 2012/0014105 A1 * 1/2012 Jigamian F41G 1/35
 362/267
 2012/0139452 A1 * 6/2012 Galli F21V 21/0885
 315/313
 2014/0000145 A1 * 1/2014 Merritt F41F 1/00
 42/114
 2014/0190063 A1 * 7/2014 Lau F41G 1/35
 42/146
 2015/0138633 A1 * 5/2015 Theisinger G02B 23/16
 359/399
 2015/0159847 A1 * 6/2015 Galli F41G 1/35
 362/111
 2015/0233668 A1 * 8/2015 Moore F41G 1/35
 42/72
 2016/0209168 A1 * 7/2016 Sharrah H05B 45/37
 2016/0348880 A1 * 12/2016 Galli H05B 45/10
 2017/0038177 A1 * 2/2017 Sun F41G 1/345
 2018/0094900 A1 * 4/2018 Sharrah F41A 19/11
 2019/0219365 A1 * 7/2019 Ma F41G 1/35
 2020/0109916 A1 * 4/2020 Eichelberger F41G 11/003

OTHER PUBLICATIONS

Surefire, DSF-870 Ultra-High Two-Output-Mode LED Weapon Light for Remington 870 [online]. [Retrieved on Oct. 2, 2018] Retrieved from the internet: <<https://www.surefire.com/dsf-870-shotgun-forend.html>>.
 Streamlight TLR-1® Gun Light [online]. [Retrieved on Nov. 5, 2018] Retrieved from the internet: <<https://www.streamlight.com/en/products/detail/index/tlr-1>>.
 Streamlight TLR-2® Gun Light [online]. [Retrieved on Nov. 5, 2018] Retrieved from the internet: <<https://www.streamlight.com/en/products/detail/index/tlr-2>>.
 Streamlight TLR-3® Gun Light [online]. [Retrieved on Nov. 5, 2018] Retrieved from the internet: <<https://www.streamlight.com/en/products/detail/index/tlr-3>>.
 Streamlight TLR-4® Gun Light [online]. [Retrieved on Nov. 5, 2018] Retrieved from the internet: <<https://www.streamlight.com/en/products/detail/index/tlr-4>>.

* cited by examiner

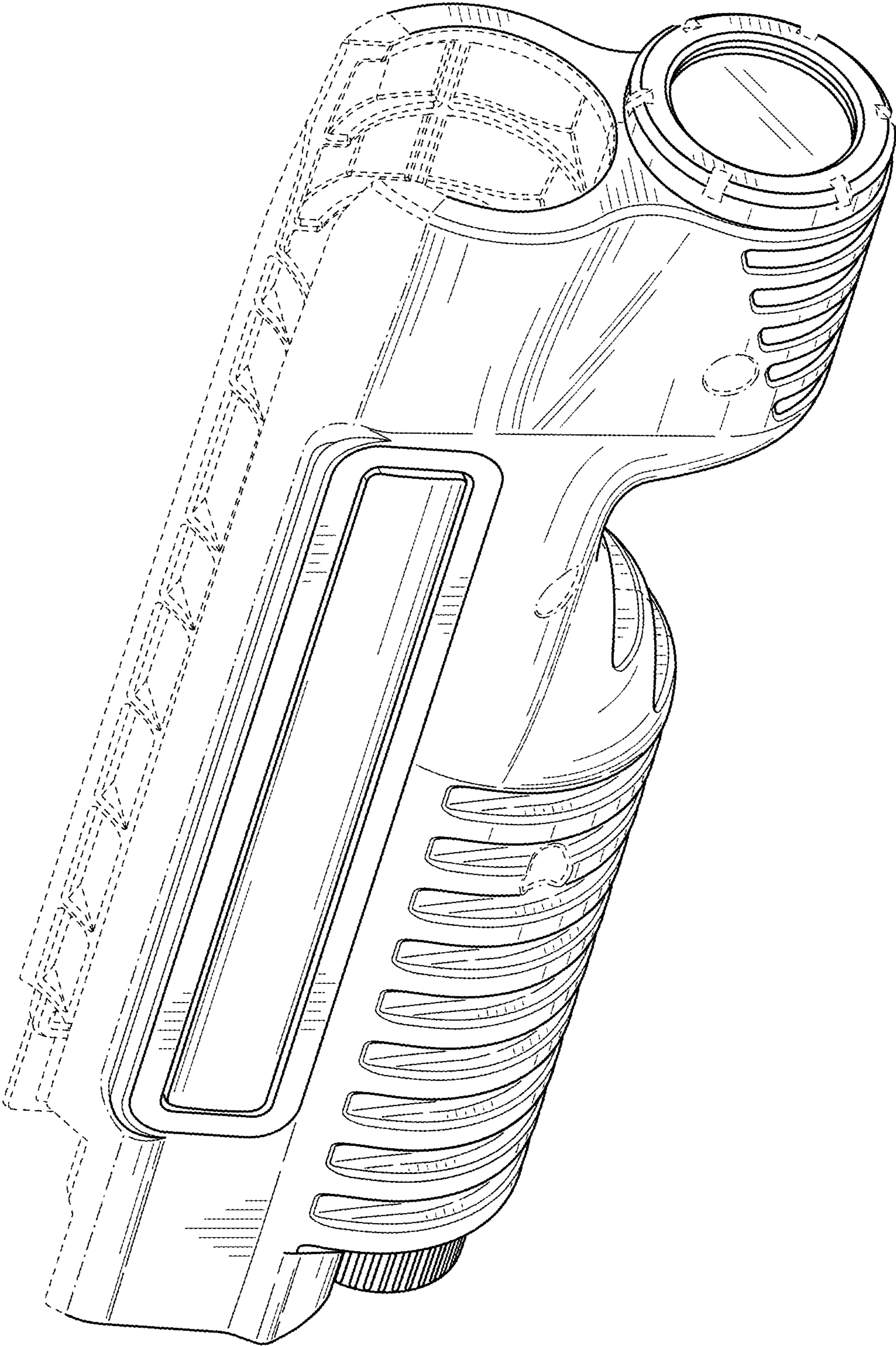


FIG. 1

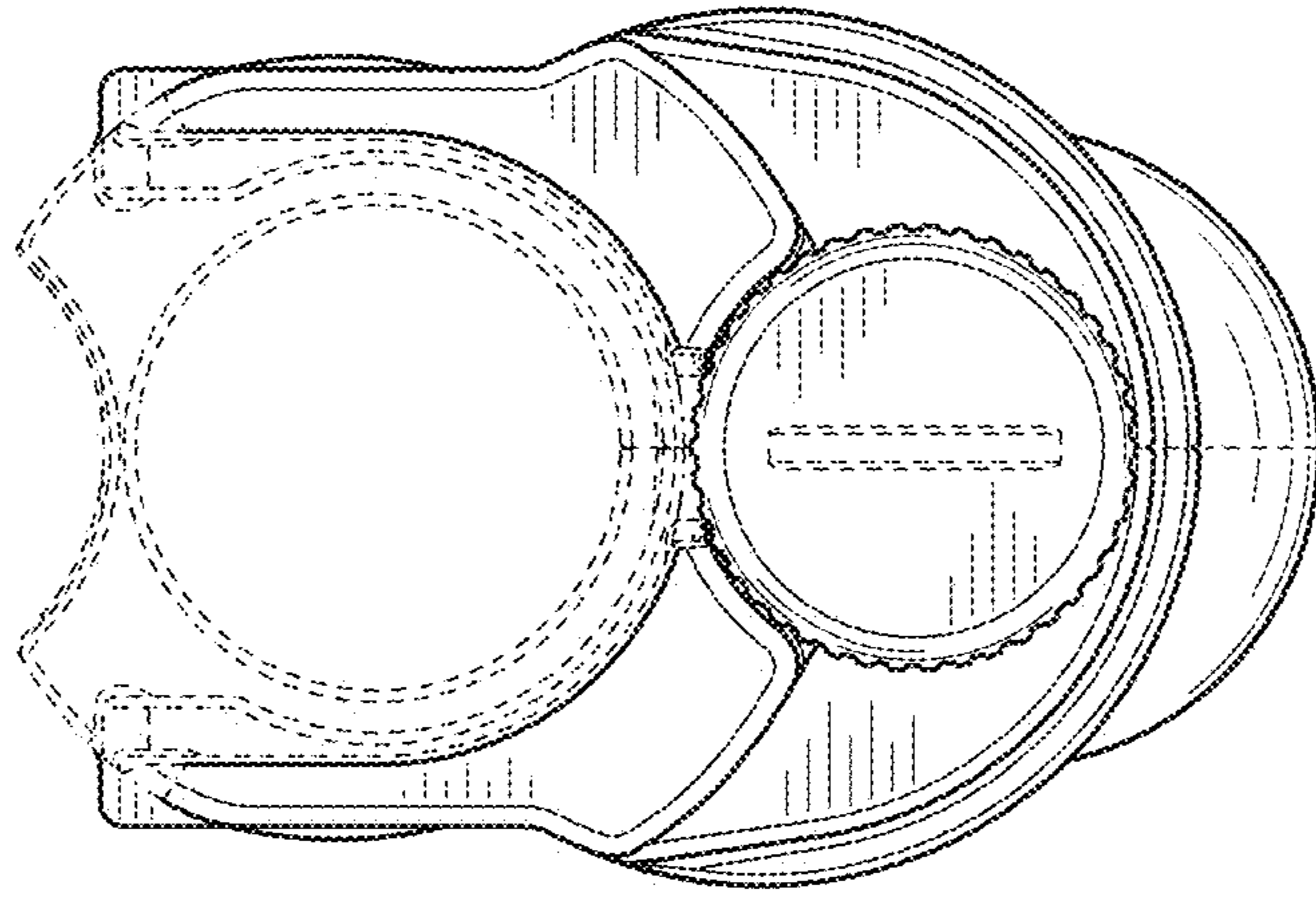


FIG. 3

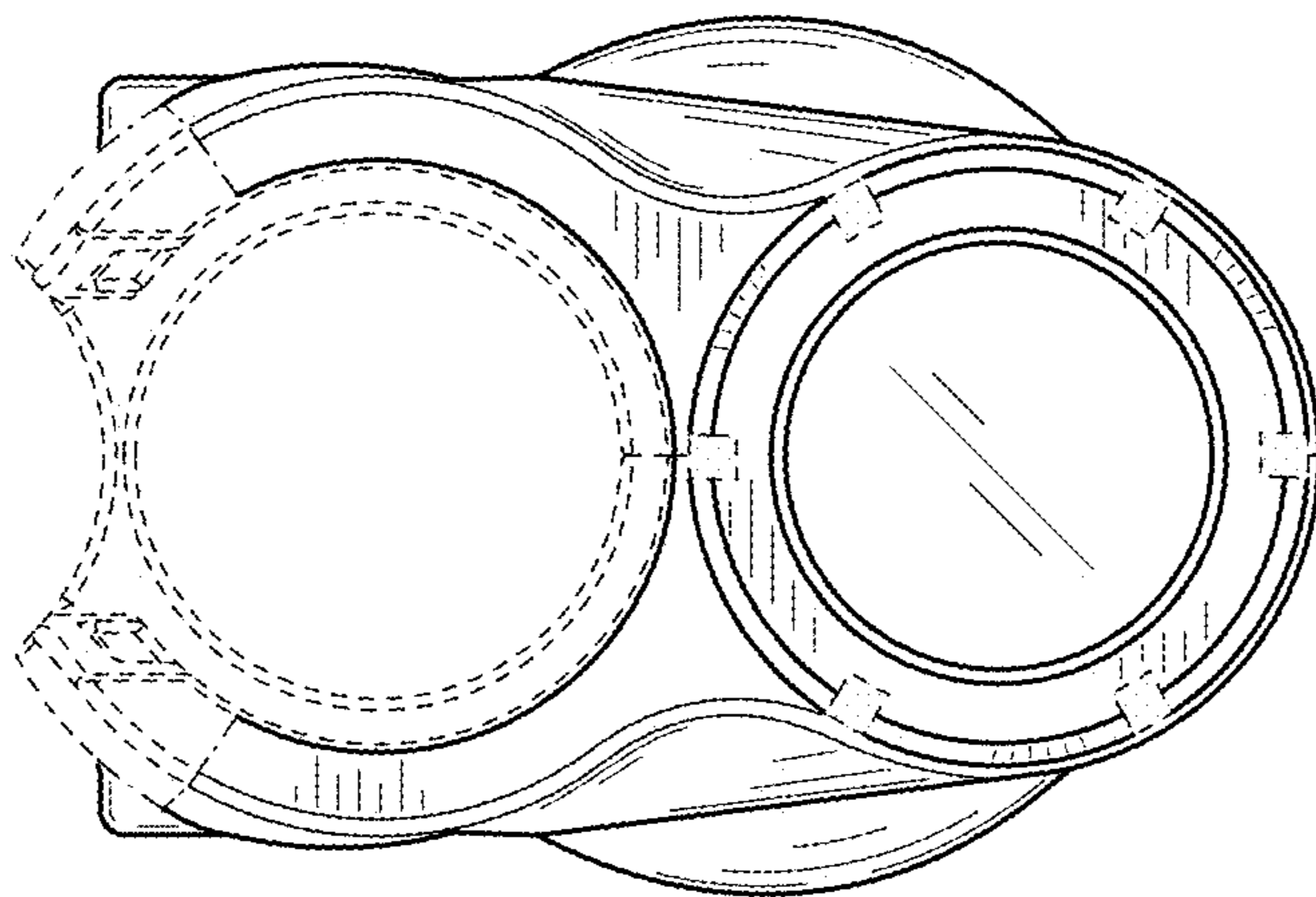


FIG. 2

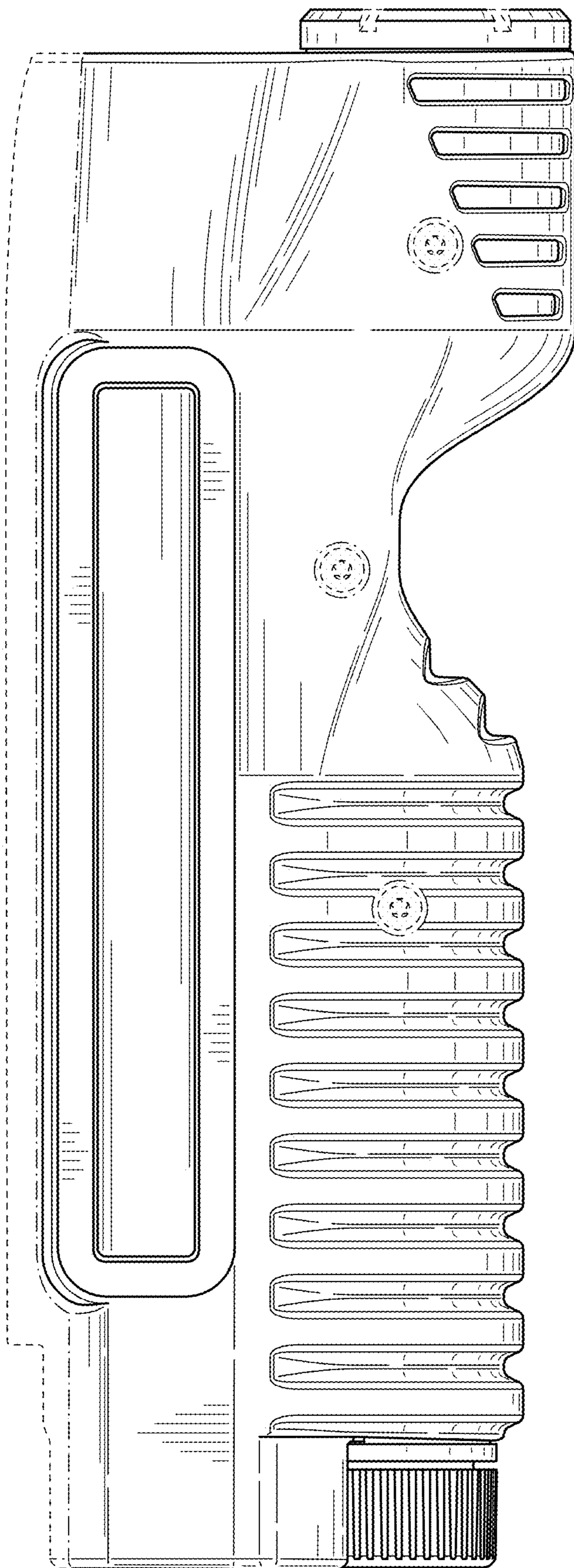


FIG. 4

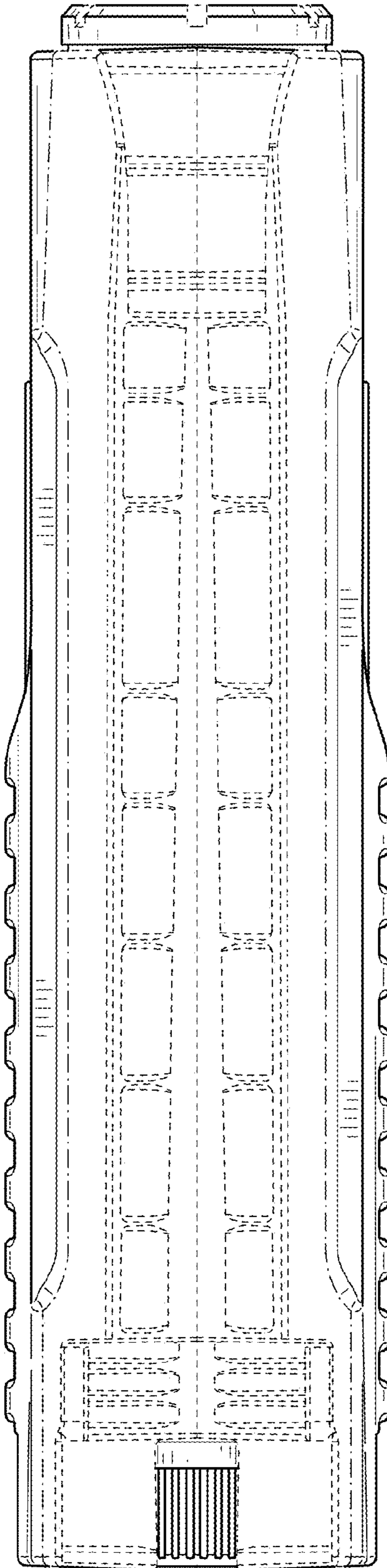


FIG. 5

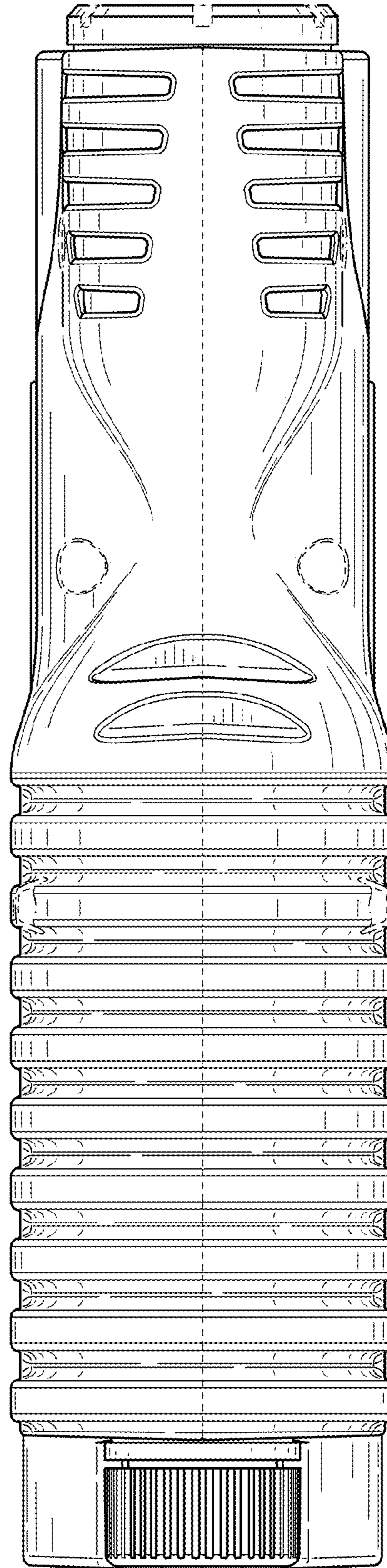


FIG. 6