



US00D906560S

(12) **United States Design Patent**
Liu

(10) **Patent No.:** **US D906,560 S**

(45) **Date of Patent:** **** Dec. 29, 2020**

(54) **FLASHLIGHT**

(71) Applicant: **Senquan Liu**, Guangdong (CN)

(72) Inventor: **Senquan Liu**, Guangdong (CN)

(**) Term: **15 Years**

(21) Appl. No.: **29/670,334**

(22) Filed: **Nov. 15, 2018**

(30) **Foreign Application Priority Data**

Sep. 28, 2018 (CN) 2018 3 0549669

(51) **LOC (12) Cl.** **26-02**

(52) **U.S. Cl.**
USPC **D26/49**

(58) **Field of Classification Search**
USPC D26/37-38, 40-42, 46, 49-50
CPC F21L 2003/00; F21L 4/00; F21L 4/005;
F21L 4/02; F21L 4/022; F21L 4/025;
F21L 4/027; F21L 4/04; F21L 4/045;
F21L 4/08; F21L 4/085; F21L 2005/00;
F21L 14/02

See application file for complete search history.

7,604,371 B2 * 10/2009 Bushee A62B 3/005
200/60

7,618,154 B2 * 11/2009 Rosiello F21L 4/027
362/202

7,686,472 B1 * 3/2010 Huang F21L 4/005
362/109

7,690,815 B2 * 4/2010 Dallas F21V 9/083
362/202

D674,943 S * 1/2013 Sheikh D22/117

8,540,404 B2 * 9/2013 Robinson F21L 4/005
362/191

D698,961 S * 2/2014 Dalton D26/49

8,702,267 B2 * 4/2014 Robinson F21V 21/0965
362/157

8,783,908 B2 * 7/2014 Gross F21L 4/027
362/184

D719,694 S * 12/2014 Nawaz D22/117

D747,024 S * 1/2016 Windom D26/49

9,474,128 B2 * 10/2016 Hoang F21V 23/0464

(Continued)

Primary Examiner — Sheryl Lane
Assistant Examiner — Stacey L Hopkins
(74) *Attorney, Agent, or Firm* — Juan Carlos A. Marquez;
Marquez IP Law Office, PLLC

(57) **CLAIM**

The ornamental design for a flashlight, as shown and described.

DESCRIPTION

FIG. 1 is a perspective view of a flashlight, showing the new design;
FIG. 2 is a front view thereof;
FIG. 3 is a rear view thereof;
FIG. 4 is a right-side view thereof;
FIG. 5 is a left-side view thereof;
FIG. 6 is a top view thereof;
FIG. 7 is a bottom view thereof; and,
FIG. 8 is a perspective view of an alternate configuration of the flashlight.

1 Claim, 7 Drawing Sheets

(56) **References Cited**

U.S. PATENT DOCUMENTS

6,193,388 B1 * 2/2001 Halasz F21V 14/045
362/205

7,073,921 B2 * 7/2006 Chen F21L 4/022
362/202

7,083,297 B2 * 8/2006 Matthews F21L 4/027
362/183

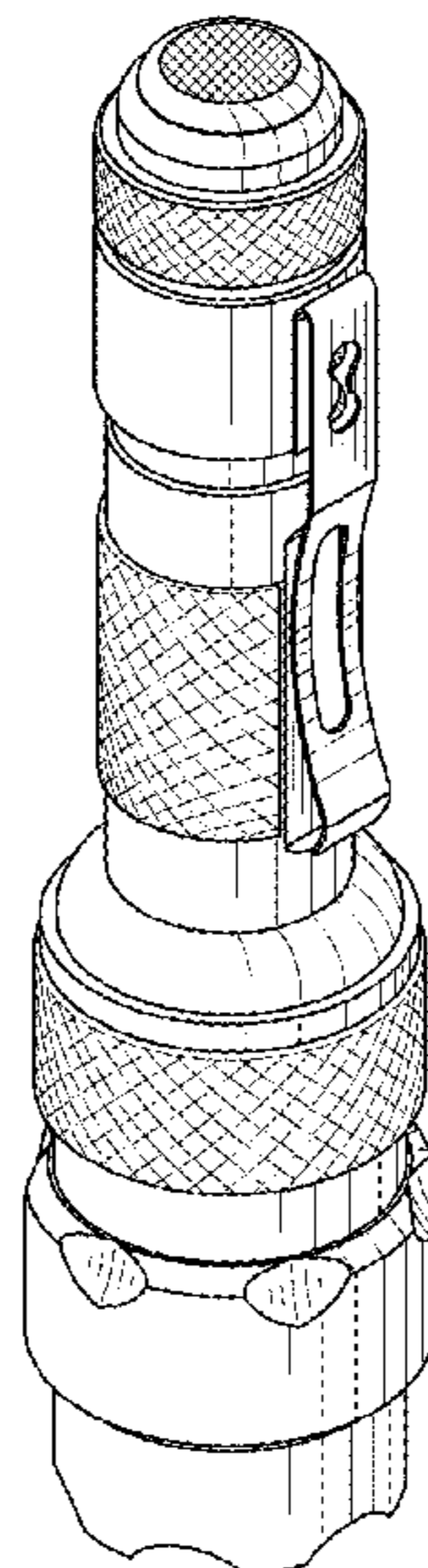
7,172,312 B2 * 2/2007 Chen F21L 4/022
362/202

D549,376 S * 8/2007 Shiu D26/49

D596,328 S * 7/2009 Shiu D26/49

D599,928 S * 9/2009 Shiu D26/49

7,581,848 B1 * 9/2009 Parsons F21L 4/027
200/60



(56)

References Cited

U.S. PATENT DOCUMENTS

9,508,391 B2 * 11/2016 Bushee F21L 4/005
D783,193 S * 4/2017 Kao D26/49
D816,251 S * 4/2018 Johnson D26/49
10,060,582 B2 * 8/2018 O'Brien F21L 4/085
D828,940 S * 9/2018 Qiu D26/49
D843,624 S * 3/2019 Son D26/49
10,260,688 B2 * 4/2019 Horne F21L 4/027
10,302,291 B2 * 5/2019 Parsons F21V 23/0421
10,337,703 B1 * 7/2019 Windom F21V 17/002
D861,216 S * 9/2019 Li D26/49
10,578,297 B1 * 3/2020 Zhu F21L 4/027

* cited by examiner

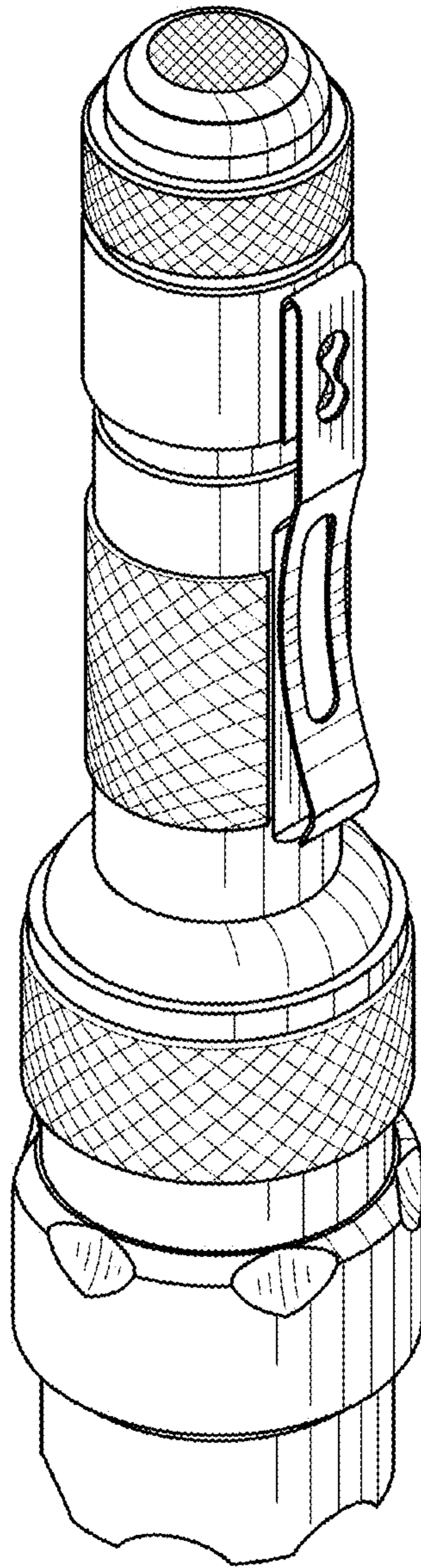


FIG. 1

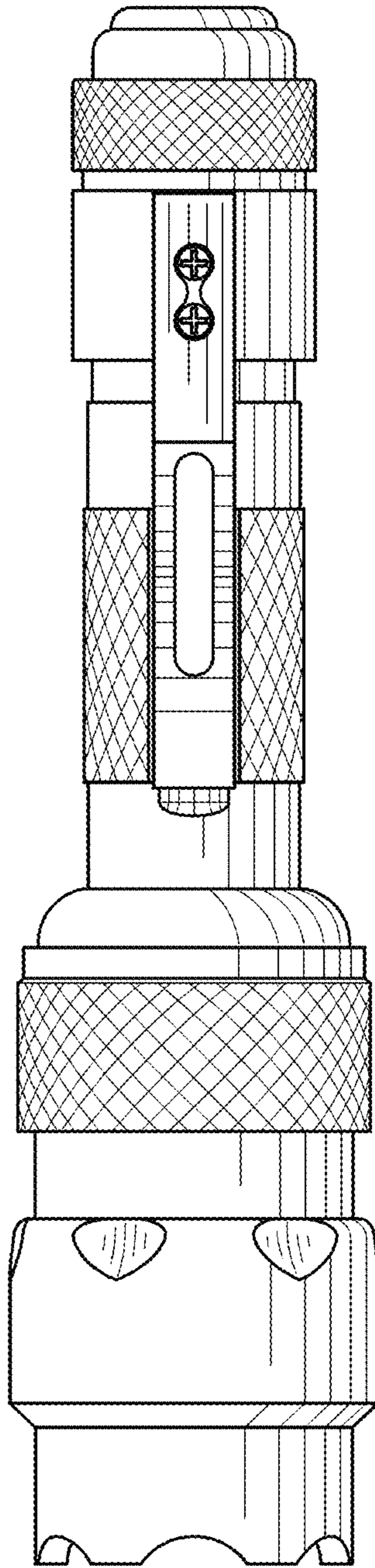


FIG. 2

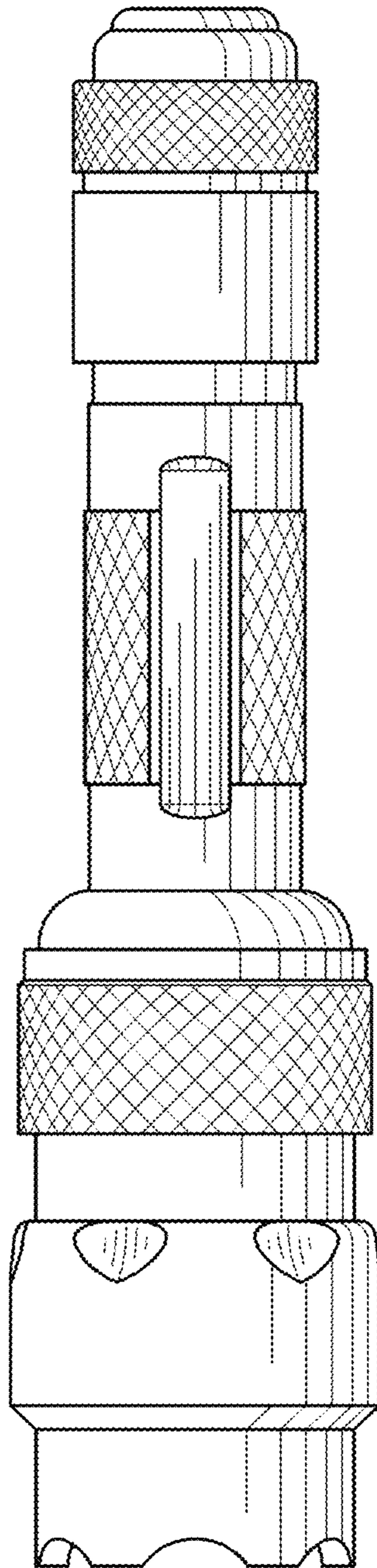


FIG. 3

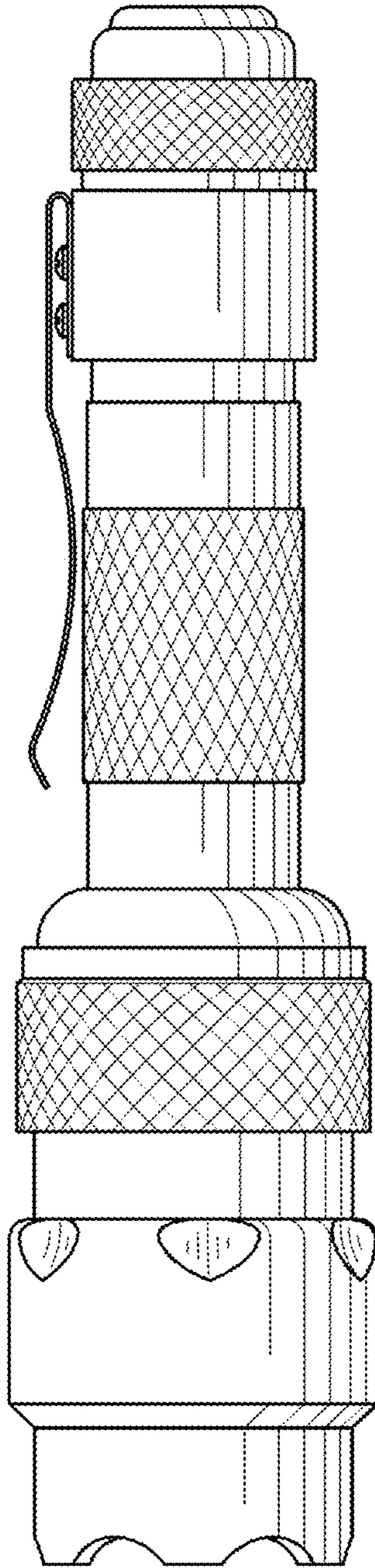


FIG. 4

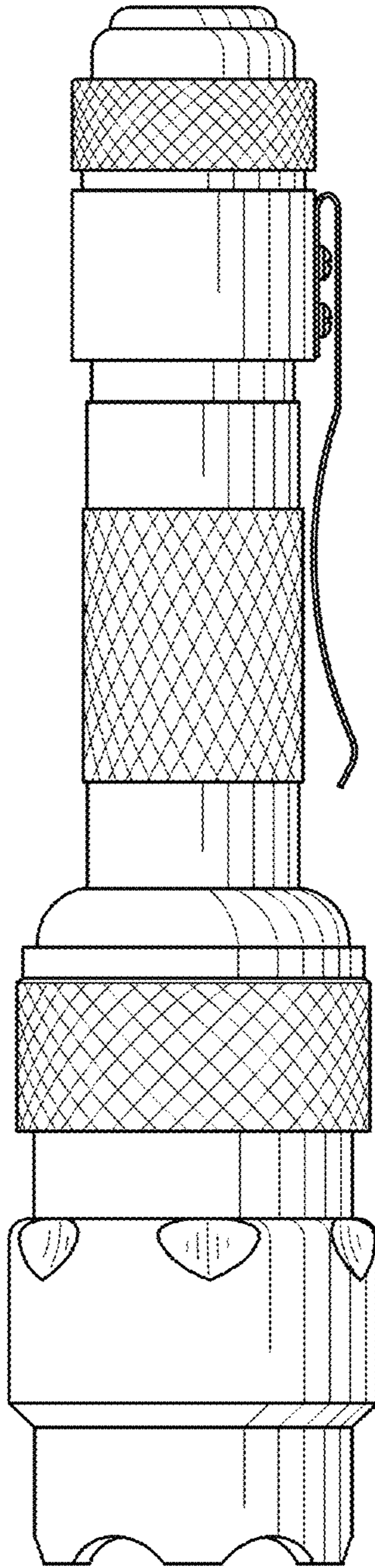


FIG. 5

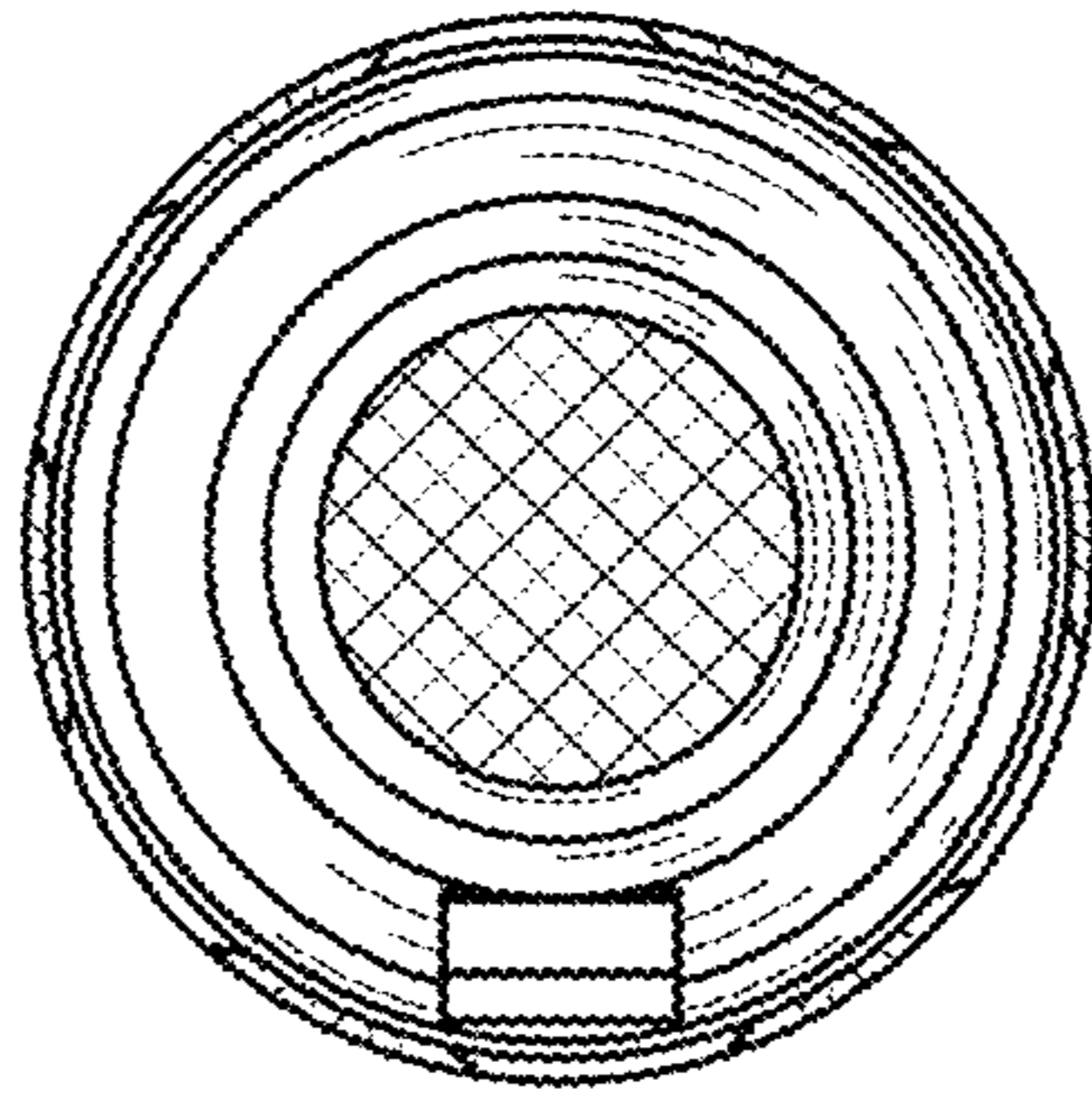


FIG. 6

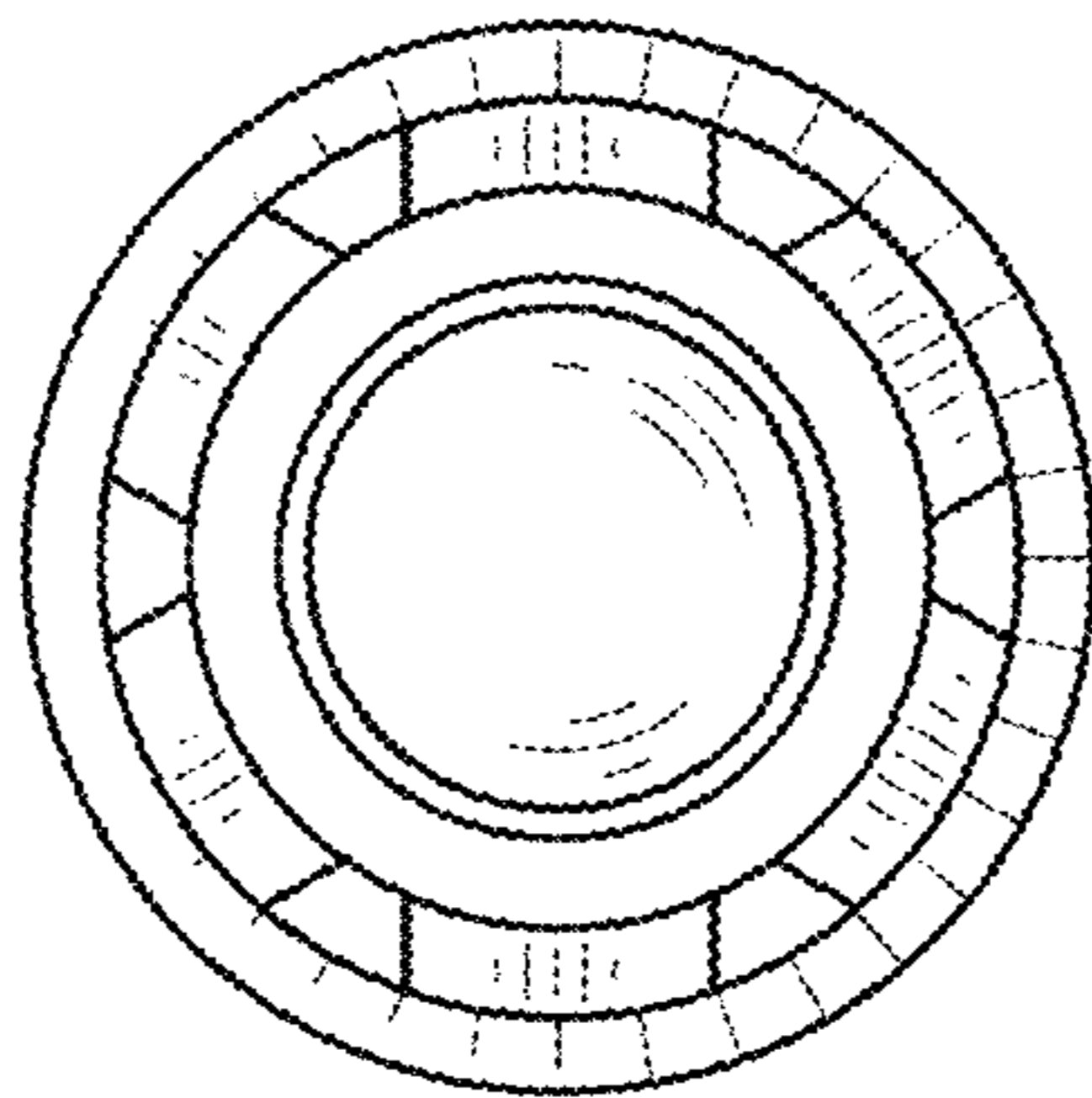


FIG. 7

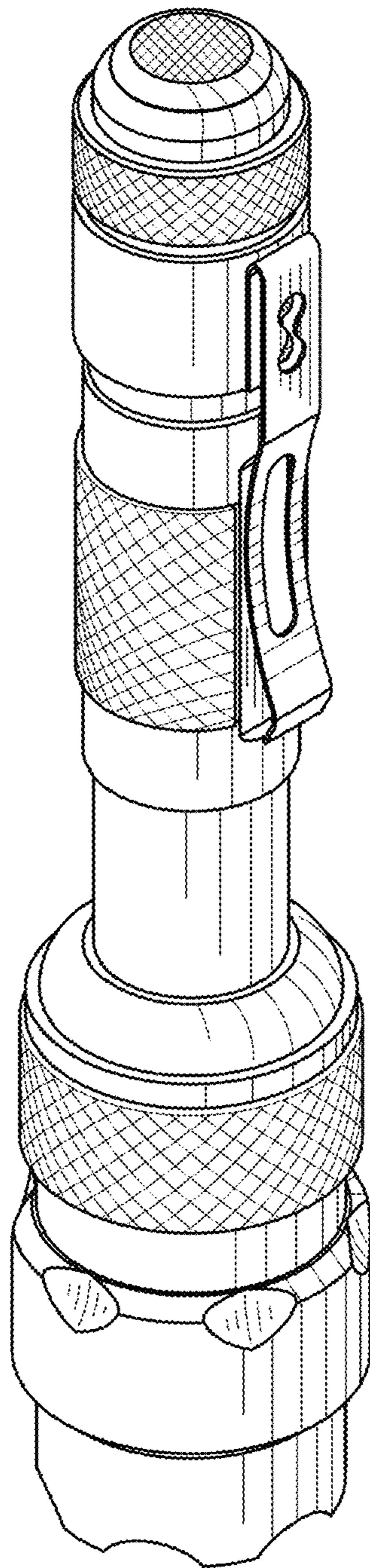


FIG. 8