



US00D906559S

(12) **United States Design Patent** (10) **Patent No.:** **US D906,559 S**
Westling et al. (45) **Date of Patent:** **** Dec. 29, 2020**

(54) **LIGHT**

(71) Applicant: **MILWAUKEE ELECTRIC TOOL CORPORATION**, Brookfield, WI (US)

(72) Inventors: **Bennett W. Westling**, Milwaukee, WI (US); **Benjamin D. Gall**, Wauwatosa, WI (US); **Joshua Schermerhorn**, Wauwatosa, WI (US)

(73) Assignee: **Milwaukee Electric Tool Corporation**, Brookfield, WI (US)

(**) Term: **15 Years**

(21) Appl. No.: **29/645,422**

(22) Filed: **Apr. 26, 2018**

(51) **LOC (12) Cl.** **26-02**

(52) **U.S. Cl.**
USPC **D26/49; D26/43**

(58) **Field of Classification Search**
USPC **D26/37-51**
CPC **F21L 2003/00; F21L 4/00; F21L 4/005; F21L 4/02; F21L 4/025; F21L 4/027; F21L 4/04; F21L 4/08; F21L 2005/00; F21L 7/00; F21L 11/00; F21L 13/00; F21L 13/04; F21L 13/08; F21L 14/02; F21L 17/00; F21L 19/00; F21L 25/00**

See application file for complete search history.

(56) **References Cited**

U.S. PATENT DOCUMENTS

1,651,307 A 11/1927 Wilkinson
3,885,148 A 5/1975 Di Benedetto
5,097,399 A 3/1992 Gammache
5,517,392 A 5/1996 Rousso et al.
5,521,803 A 5/1996 Eckert et al.
D371,855 S 7/1996 Heun
D373,211 S 8/1996 Heun
5,558,430 A 9/1996 Booty, Jr.
5,567,115 A 10/1996 Carbone

D375,811 S 11/1996 Hon
5,707,137 A 1/1998 Hon
5,765,938 A 6/1998 Rousso et al.
5,823,657 A 10/1998 Price et al.
5,871,272 A 2/1999 Sharrah et al.
5,906,426 A 5/1999 Farrington et al.

(Continued)

FOREIGN PATENT DOCUMENTS

CN 2103086 U 4/1992
CN 201836655 U 5/2011

(Continued)

OTHER PUBLICATIONS

Milwaukee Tool, "M12 Cordless 12 Volt Work Light Service Parts List," available prior to Apr. 26, 2018, 2 pages.

(Continued)

Primary Examiner — Lakiya G Rogers

Assistant Examiner — Carissa C Fitts

(74) *Attorney, Agent, or Firm* — Michael Best & Friedrich LLP

(57) **CLAIM**

We claim the ornamental design for a light, as shown and described.

DESCRIPTION

FIG. 1 is a perspective view of a light embodying the invention.

FIG. 2 is a first side view of the light of FIG. 1.

FIG. 3 is a second side view of the light of FIG. 1.

FIG. 4 is a third side view of the light of FIG. 1.

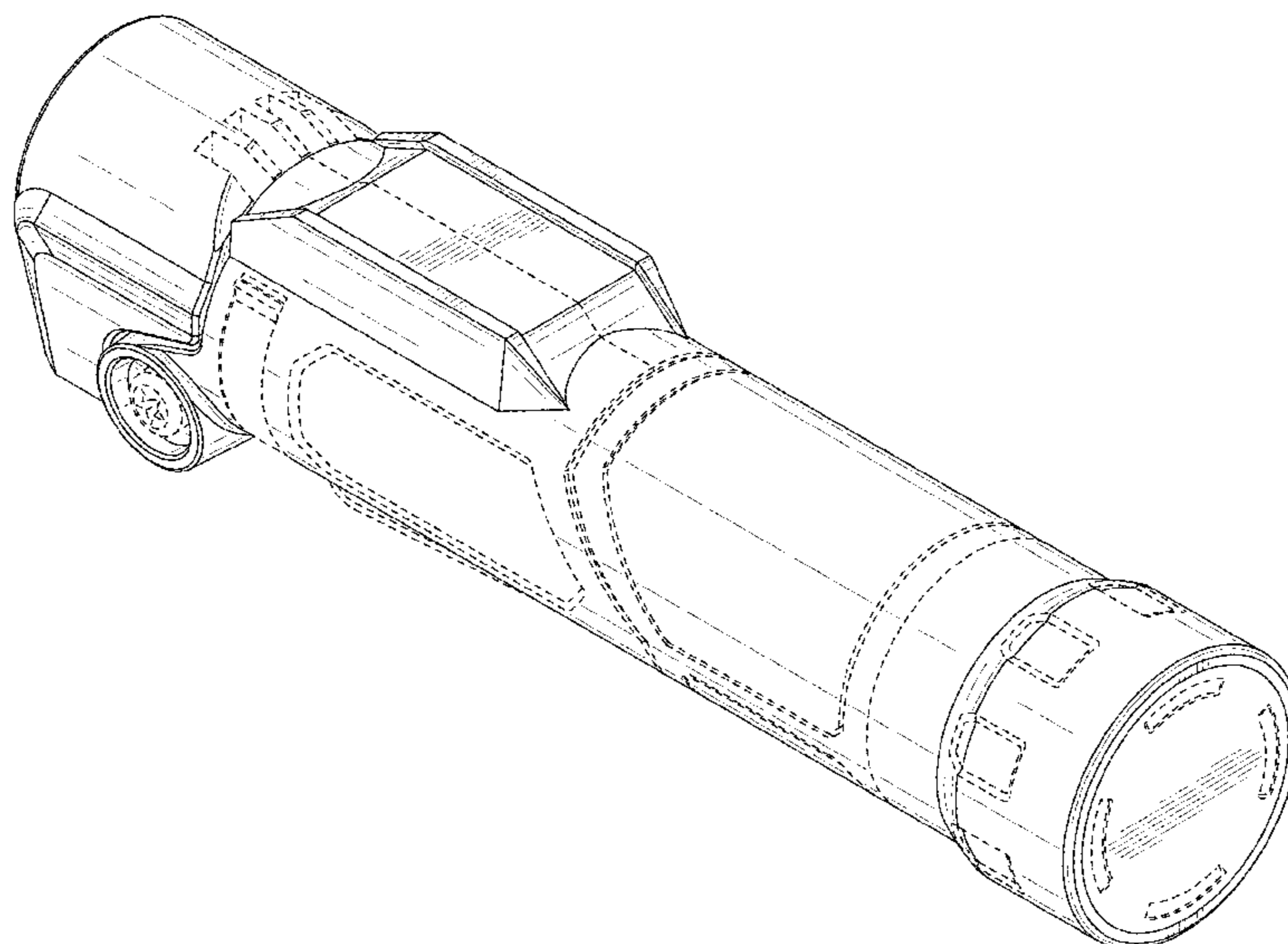
FIG. 5 is a fourth side view of the light of FIG. 1.

FIG. 6 is a first end view of the light of FIG. 1; and,

FIG. 7 is a second end view of the light of FIG. 1.

The broken lines depict portions of the article that form no part of the claimed design.

1 Claim, 7 Drawing Sheets



(56)

References Cited

U.S. PATENT DOCUMENTS

6,040,660 A 3/2000 Schmidt et al.
 6,280,050 B1 8/2001 Bird et al.
 6,454,789 B1 9/2002 Chen et al.
 6,457,841 B1 10/2002 Lynch et al.
 6,543,911 B1 4/2003 Rizkin et al.
 6,581,889 B2 6/2003 Carpenter et al.
 6,666,563 B2 12/2003 Brown
 6,702,837 B2 3/2004 Gutwein
 6,718,136 B2 4/2004 Bird et al.
 6,799,861 B2 10/2004 Naghi et al.
 6,808,289 B2 10/2004 Reed
 6,814,470 B2 11/2004 Rizkin
 6,854,861 B2 2/2005 Chao
 6,874,908 B2 4/2005 Sharrah et al.
 6,899,443 B2 5/2005 Rizkin et al.
 6,902,291 B2 6/2005 Rizkin et al.
 D510,637 S * 10/2005 Chan D26/49
 6,951,418 B2 10/2005 Rizkin et al.
 6,953,260 B1 10/2005 Allen
 6,986,782 B2 1/2006 Chen et al.
 6,988,815 B1 1/2006 Rizkin et al.
 7,021,797 B2 4/2006 Minano
 7,140,754 B2 11/2006 Thuma et al.
 7,168,824 B2 1/2007 Schnell
 7,186,002 B2 3/2007 Matthews et al.
 7,281,815 B1 10/2007 Gustafson et al.
 7,281,820 B2 10/2007 Bayat et al.
 7,286,296 B2 10/2007 Chaves et al.
 D560,834 S * 1/2008 Nagano D26/28
 7,329,029 B2 2/2008 Chaves et al.
 7,344,270 B2 3/2008 Kim
 7,380,962 B2 6/2008 Chaves et al.
 7,402,961 B2 7/2008 Bayat et al.
 7,416,311 B2 8/2008 Dietz
 7,503,669 B2 3/2009 Rizkin et al.
 7,549,766 B2 6/2009 Sharrah et al.
 7,553,051 B2 6/2009 Brass et al.
 7,652,216 B2 1/2010 Sharrah et al.
 D612,524 S * 3/2010 Booher D26/39
 D612,967 S * 3/2010 Gan D26/46
 7,674,003 B2 3/2010 Sharrah et al.
 7,724,440 B2 5/2010 Chaves et al.
 7,731,385 B2 * 6/2010 Spartano H05B 35/00
 362/184
 7,744,246 B2 6/2010 Rizkin et al.
 7,755,838 B2 6/2010 Chaves et al.
 7,753,561 B2 7/2010 Chaves et al.
 7,888,883 B2 2/2011 Crawford et al.
 7,950,821 B1 5/2011 Georgitsis et al.
 8,016,451 B2 9/2011 Householder et al.
 8,033,681 B2 10/2011 Brass et al.
 8,061,880 B2 11/2011 Lambert et al.
 8,075,147 B2 12/2011 Chaves et al.
 8,147,089 B2 4/2012 Matthews et al.
 8,182,109 B2 5/2012 Matthews et al.
 8,220,959 B2 7/2012 Rizkin et al.
 8,360,615 B2 1/2013 Rizkin et al.
 8,403,515 B2 3/2013 Eichelberger et al.
 8,419,214 B2 4/2013 Rizkin et al.
 RE44,281 E 6/2013 Snyder
 8,529,086 B2 9/2013 Skrivan et al.
 8,562,184 B2 10/2013 Klipstein et al.
 8,632,223 B2 1/2014 McDermott
 D707,869 S * 6/2014 Wu D26/46
 8,789,963 B2 7/2014 Whitfield et al.
 D719,286 S * 12/2014 Inskeep D26/49
 8,944,626 B2 2/2015 Matthews et al.
 8,981,650 B2 3/2015 Burayez et al.
 9,018,848 B2 4/2015 Garcia
 9,060,407 B2 6/2015 West
 9,144,138 B2 9/2015 Xie
 D740,986 S * 10/2015 Hine D26/46
 D743,598 S * 11/2015 Inskeep D26/39
 9,182,089 B2 11/2015 Whitfield et al.
 9,188,292 B2 11/2015 Armer et al.

9,297,509 B2 3/2016 Klipstein et al.
 D765,295 S * 8/2016 McLennan F21V 21/0885
 D26/49
 D767,187 S * 9/2016 Hine D26/49
 D767,805 S * 9/2016 Son D26/49
 9,464,767 B2 10/2016 Whitfield et al.
 D790,097 S * 6/2017 Port D26/39
 D802,192 S * 11/2017 Windom D26/49
 9,863,622 B1 1/2018 Armer et al.
 D812,178 S * 3/2018 Galli D22/108
 D818,621 S * 5/2018 Kunzendorf D26/49
 D823,509 S * 7/2018 Kunzendorf D26/49
 D837,428 S * 1/2019 Arena D26/44
 D843,624 S * 3/2019 Son D26/49
 D851,310 S * 6/2019 Windom D26/49
 D855,851 S * 8/2019 Kotsis D26/49
 D857,268 S * 8/2019 Worman D26/60
 2002/0109986 A1 8/2002 Siegel
 2003/0161143 A1 8/2003 Parker et al.
 2004/0090776 A1 5/2004 Yang
 2004/0145890 A1 7/2004 Liao
 2004/0174703 A1 9/2004 Tally
 2005/0207170 A1 9/2005 Opolka
 2006/0083010 A1 4/2006 Ping
 2006/0193129 A1 8/2006 Opolka
 2006/0278816 A1 12/2006 Booty
 2007/0030672 A1 2/2007 Offiler
 2007/0253195 A1 11/2007 Dietz
 2009/0116230 A1 5/2009 Young
 2010/0046211 A1 2/2010 Spartano et al.
 2010/0053942 A1 3/2010 Tarter et al.
 2010/0103656 A1 4/2010 Cho
 2011/0157874 A1 6/2011 Sant et al.
 2011/0242799 A1 10/2011 Dyer
 2012/0140457 A1 6/2012 McQuade
 2012/0176802 A1 7/2012 Householder et al.
 2014/0268682 A1 9/2014 Brady
 2016/0348880 A1 * 12/2016 Galli F21V 21/0885
 2017/0191646 A1 7/2017 Marie et al.
 2017/0215983 A1 8/2017 Learn
 2017/0284646 A1 10/2017 Arena et al.
 2017/0292659 A1 10/2017 Bayat et al.

FOREIGN PATENT DOCUMENTS

CN 201844212 U 5/2011
 CN 206247092 U 6/2017
 CN 206310294 U 7/2017
 DE 102012109648 A1 4/2014
 EP 1930649 A1 6/2008
 WO 2001/077575 A1 10/2001
 WO 2006/080918 A1 8/2006
 WO 2011/036691 A1 3/2011

OTHER PUBLICATIONS

Milwaukee Tool, "M18 Cordless 18 Volt LED Work Light Service Parts List," available prior to Apr. 26, 2018, 1 page.
 Milwaukee Tool, "M12 & M18 Work Lights Operator's Manual," available prior to Apr. 26, 2018, 12 pages.
 Shumacher, "SL25 LED Cordless Extendable Work Light—12 Pack Display," <<https://www.batterychargers.com/en/products/work-light-road-flares/sl25-led-cordless-extendable-work-light-12-pack-display>> website available prior to Apr. 26, 2018, 5 pages.
 Schumacher, "SL25 LED Cordless Extendable Work Light—12 pack display", <www.batterychargers.com/en/products/work-light-road-flares/sl25-led-cordless-extendable-work-light-12-pack-display> web page accessed on Sep. 28, 2018.
 Milwaukee Tool, "Service Parts List Cordless 12 Volt LED Worklight", Catalog No. 49-24-0146, Oct. 2017 (2 pages).
 Milwaukee Tool, "Operators Manual—Worklights", Catalog No. 49-24-0145, Feb. 2015 (12 pages).
 Milwaukee Tool, "Service Parts List Cordless 18 Volt LED Worklight", Catalog No. 2735-20, Mar. 2012 (1 page).

* cited by examiner

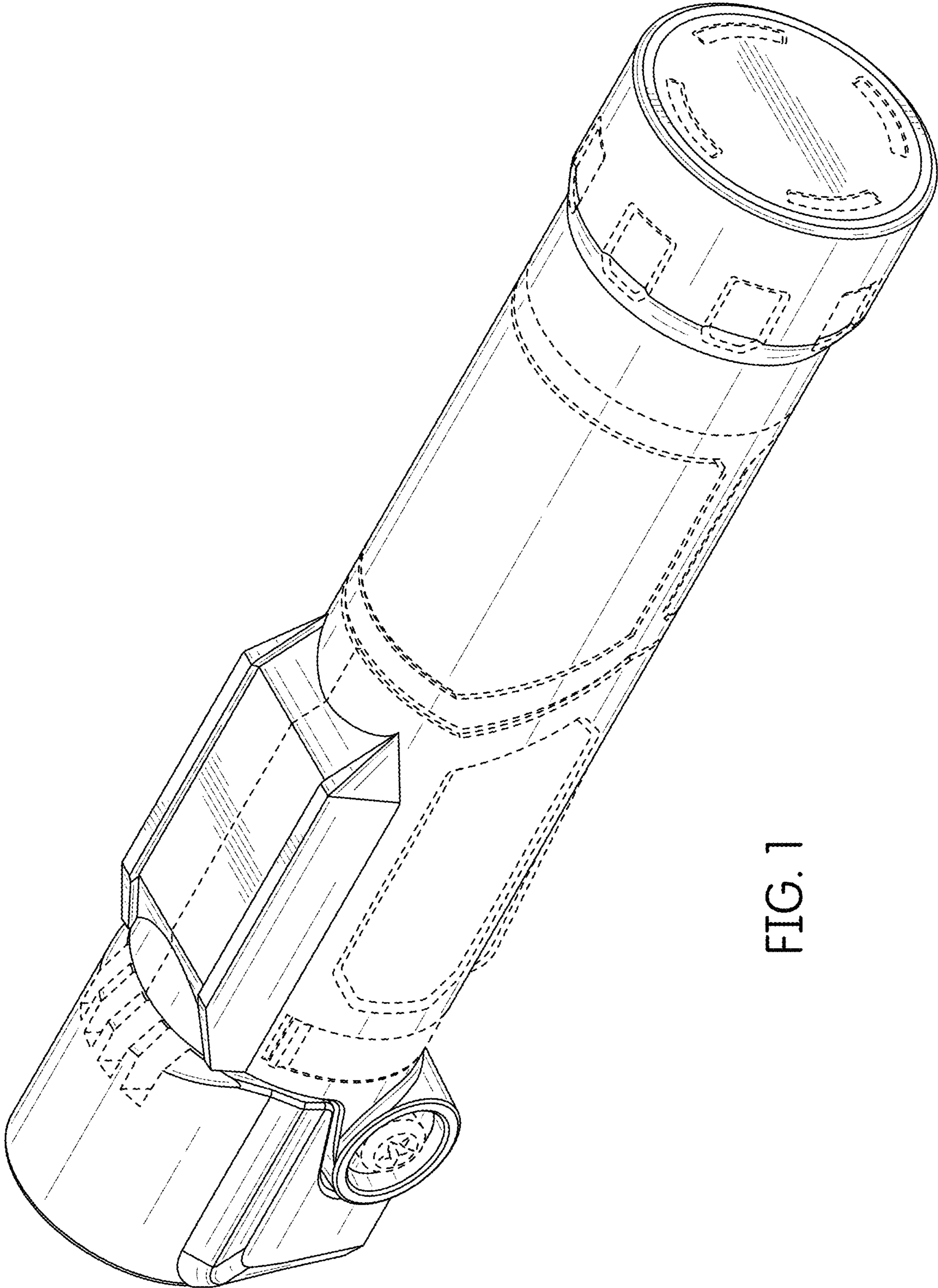


FIG. 1

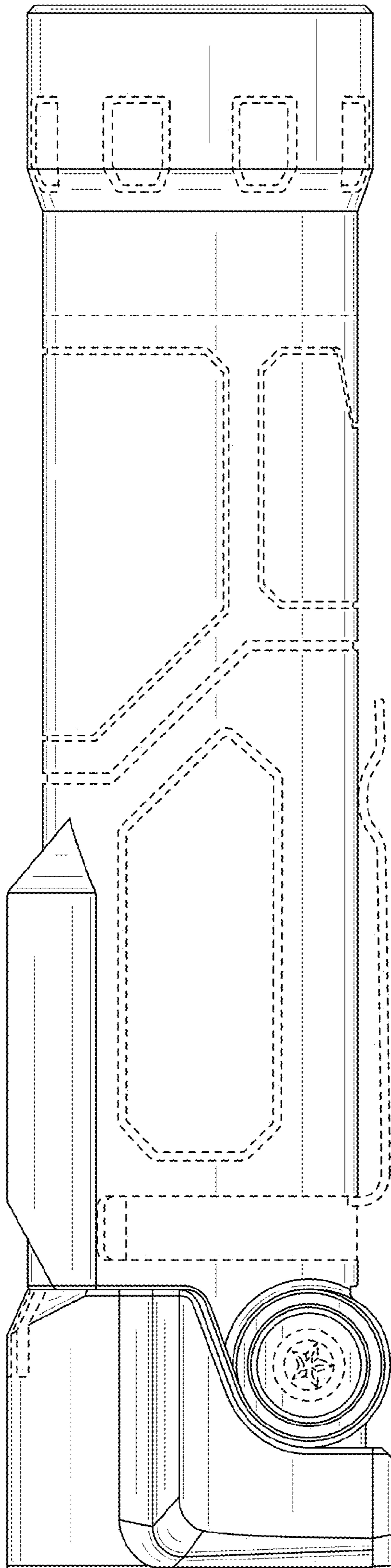


FIG. 2

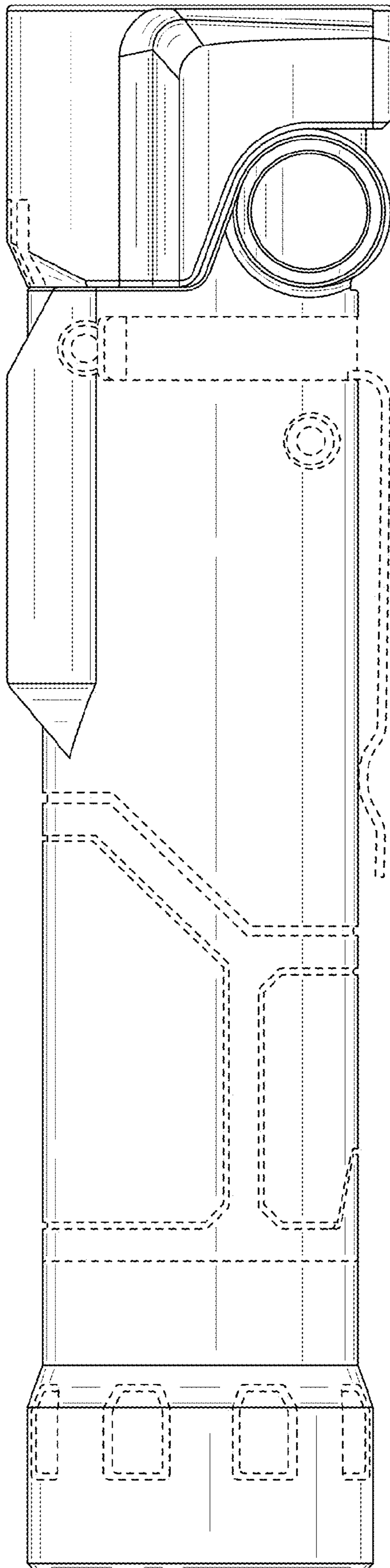


FIG. 3

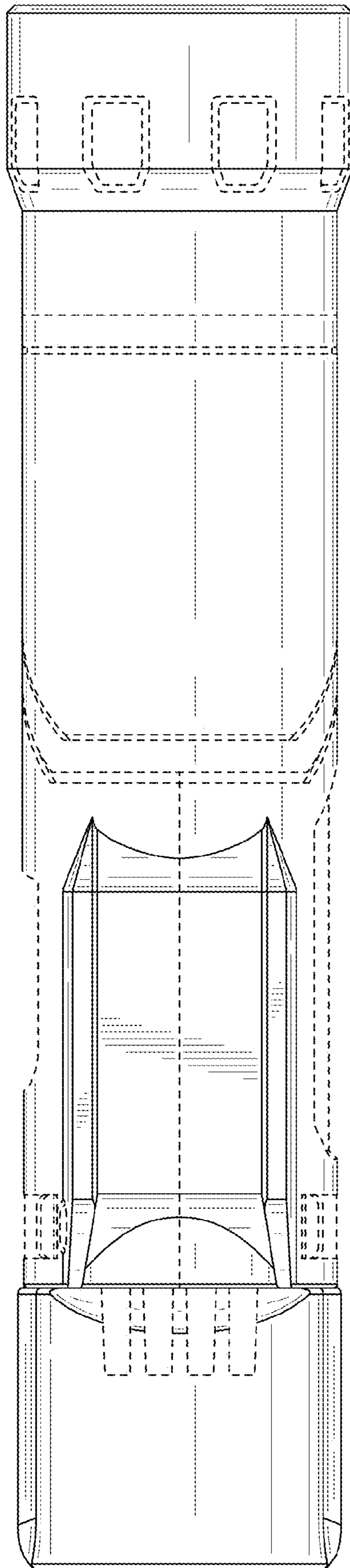


FIG. 4

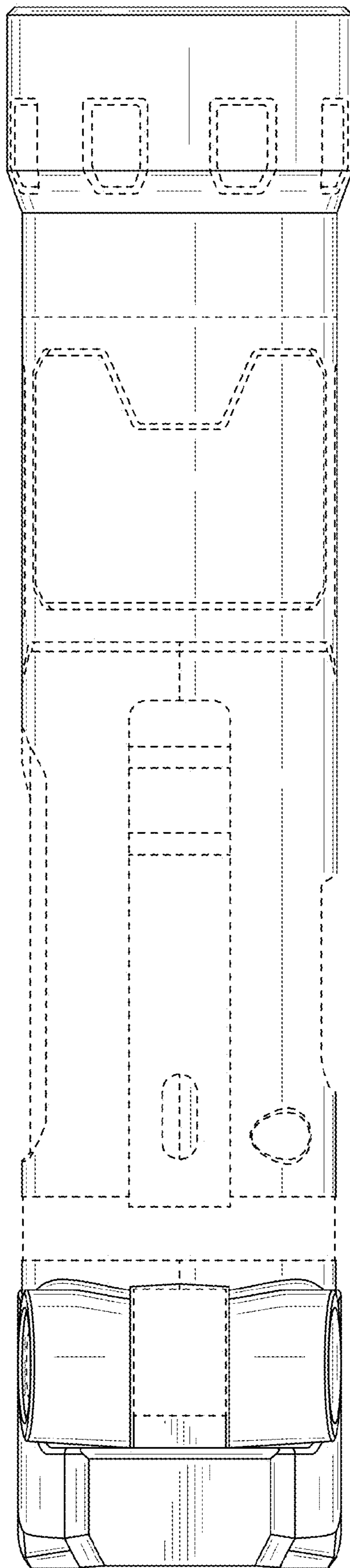


FIG. 5

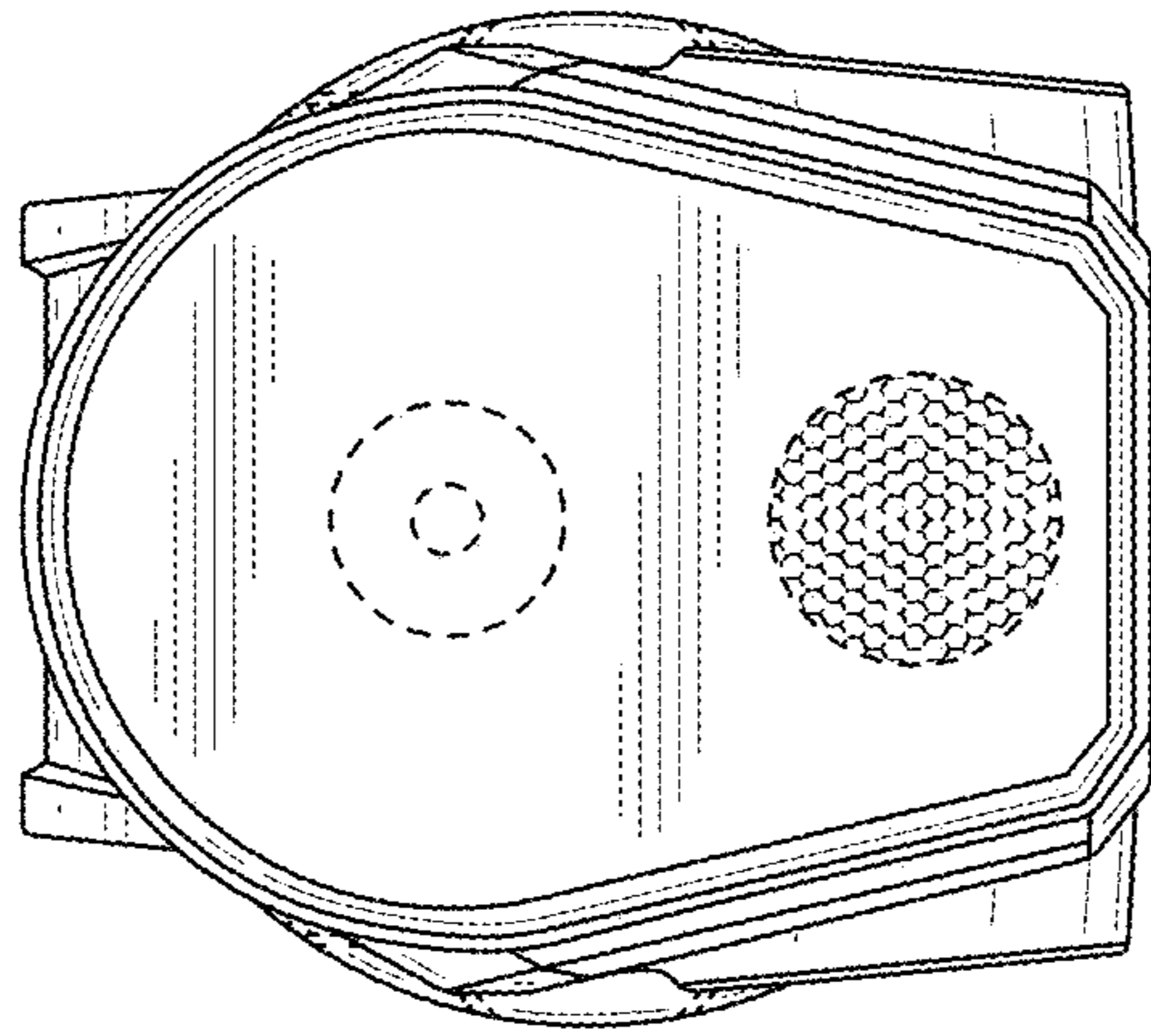


FIG. 6

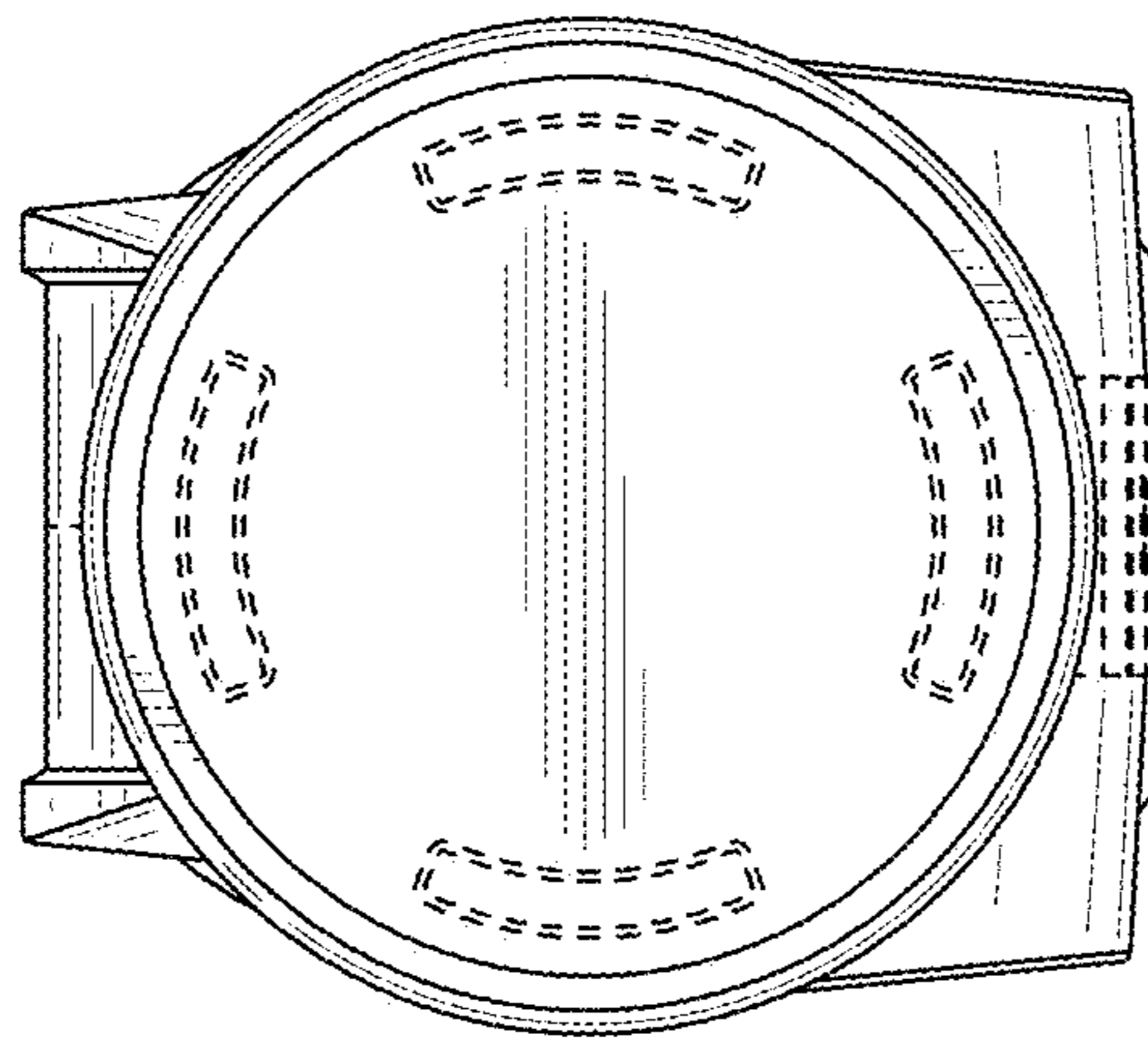


FIG. 7