



US00D906558S

(12) **United States Design Patent** (10) **Patent No.:** **US D906,558 S**
Yun et al. (45) **Date of Patent:** **** Dec. 29, 2020**

(54) **REAR COMBINATION LAMP FOR VEHICLES**

F21V 21/04; B60Q 1/30; B60Q 1/2607; B60Q 1/2696; B62J 6/00; B62J 6/04

See application file for complete search history.

(71) Applicants: **HYUNDAI MOTOR COMPANY**, Seoul (KR); **KIA MOTORS CORPORATION**, Seoul (KR)

(56) **References Cited**

U.S. PATENT DOCUMENTS

(72) Inventors: **Ji-Won Yun**, Seoul (KR); **Deuk-Heon Kang**, Hwaseong-si (KR)

D739,057	S	*	9/2015	Park	D26/28
D785,215	S	*	4/2017	Park	D26/28
D786,464	S	*	5/2017	Park	D26/28
D789,575	S	*	6/2017	Willett	D26/28
D812,266	S	*	3/2018	Keskin	D26/28
D812,792	S	*	3/2018	Jae	D26/28
D846,774	S	*	4/2019	Keskin	D26/28
D846,779	S	*	4/2019	Hwang	D26/28
D864,447	S	*	10/2019	Kim	D26/28
D865,243	S	*	10/2019	Kim	D26/28

(73) Assignees: **Hyundai Motor Company**, Seoul (KR); **Kia Motors Corporation**, Seoul (KR)

* cited by examiner

(**) Term: **15 Years**

Primary Examiner — Natasha Vujcic

(21) Appl. No.: **35/507,798**

(74) *Attorney, Agent, or Firm* — Mintz Levin Cohn Ferris Glovsky and Popeo, P.C.; Peter F. Corless; Carolina E. Säve

(22) Filed: **Jun. 14, 2019**

(80) **Hague Agreement Data**

Int. Filing Date: **Jun. 14, 2019**

Int. Reg. No.: **DM/203901**

Int. Reg. Date: **Jun. 14, 2019**

Int. Reg. Pub. Date: **Nov. 15, 2019**

(57) **CLAIM**

The ornamental design for a rear combination lamp for vehicles, as shown and described.

(30) **Foreign Application Priority Data**

Dec. 17, 2018 (KR) 30-2018-0059590

(51) **LOC (12) Cl.** **26-06**

(52) **U.S. Cl.**
USPC **D26/28**

(58) **Field of Classification Search**
USPC D26/28
CPC F21S 48/00; F21S 48/10; F21S 48/115; F21S 48/225; F21S 48/1233; F21S 48/1266; F21S 48/1388; F21S 48/2266;

DESCRIPTION

1. Rear combination lamp for vehicles

1.1 : Perspective

1.2 : Front

1.3 : Back

1.4 : Left

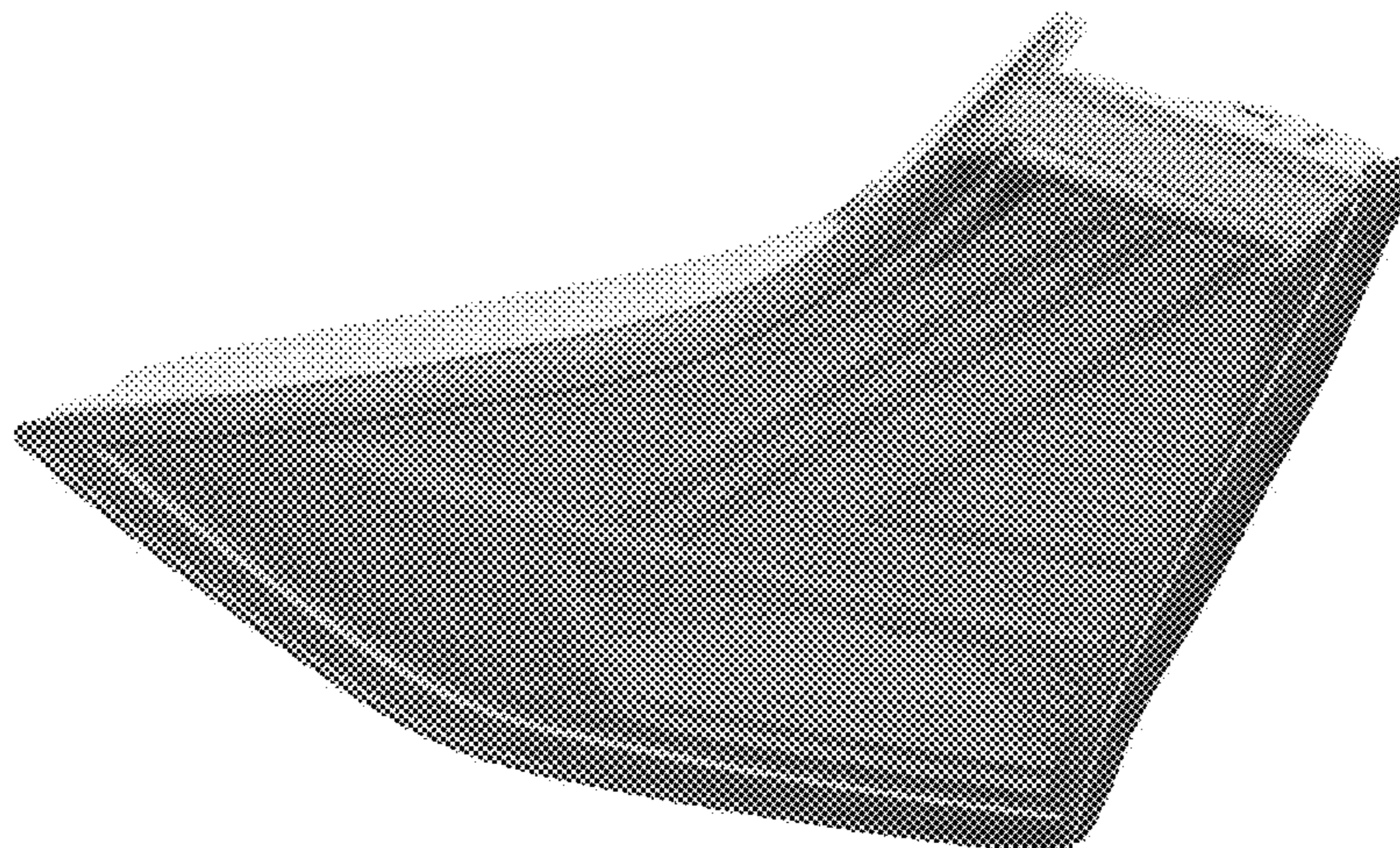
1.5 : Right

1.6 : Top

1.7 : Bottom

Reproduction 1.1 is a perspective view of a rear combination lamp for vehicles showing our new design; reproduction 1.2 is a front elevation view thereof; reproduction 1.3 is a rear elevation view thereof; reproduction 1.4 is a left side elevation view thereof; reproduction 1.5 is a right side elevation

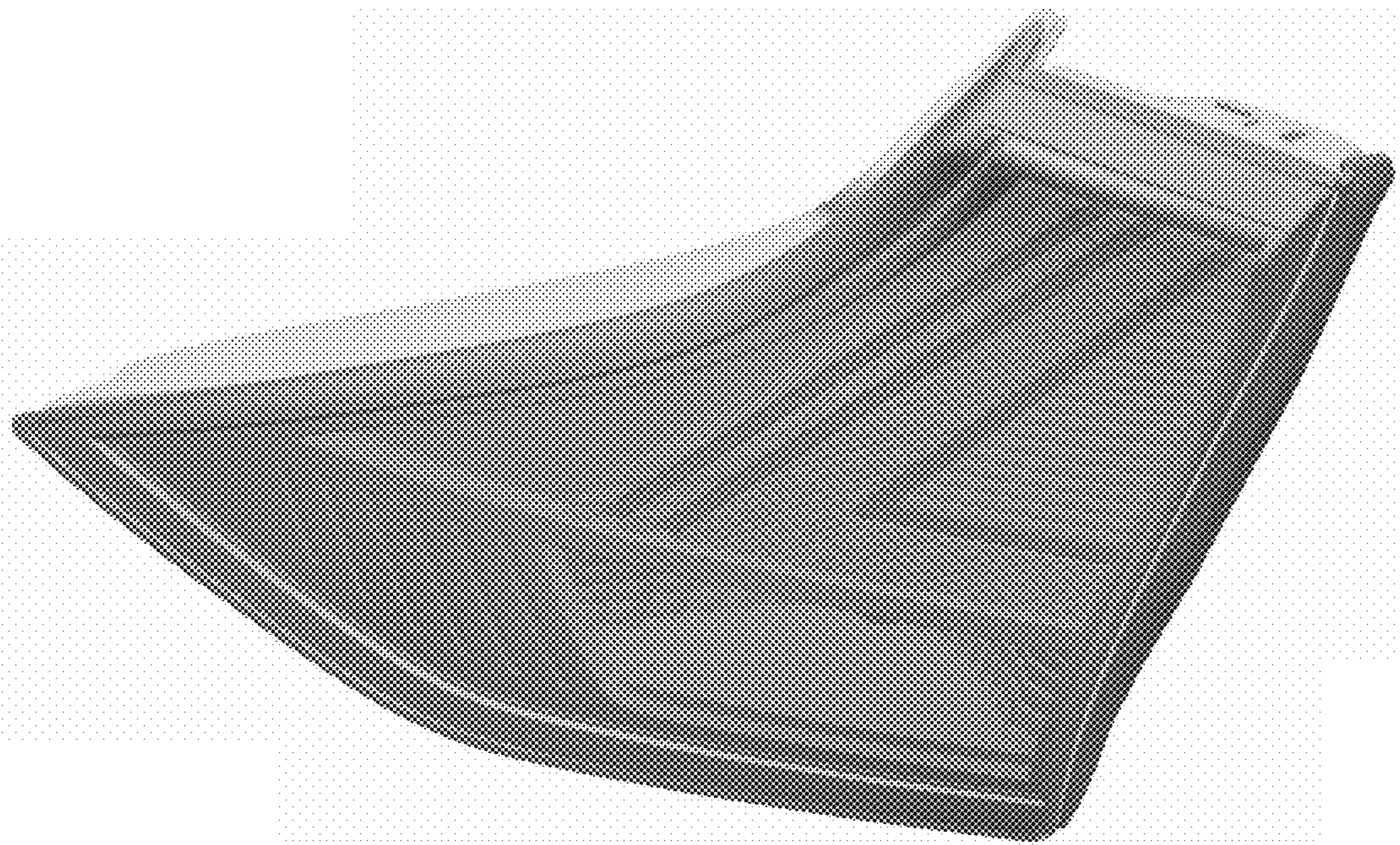
(Continued)



view thereof; reproduction 1.6 is a top plan view thereof;
and reproduction 1.7 is a bottom plan view thereof.

1 Claim, 7 Drawing Sheets

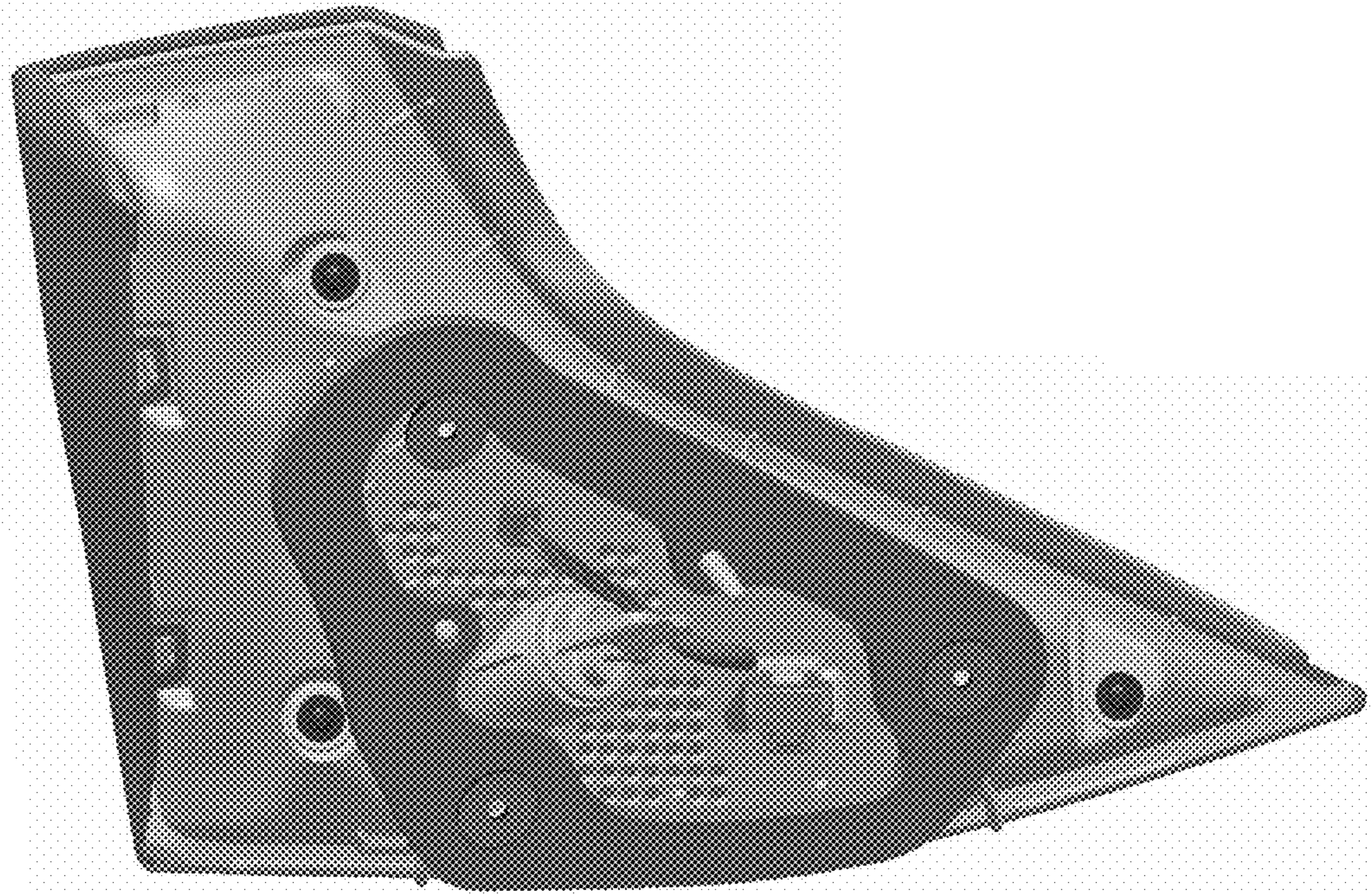
1.1



1.2



1.3



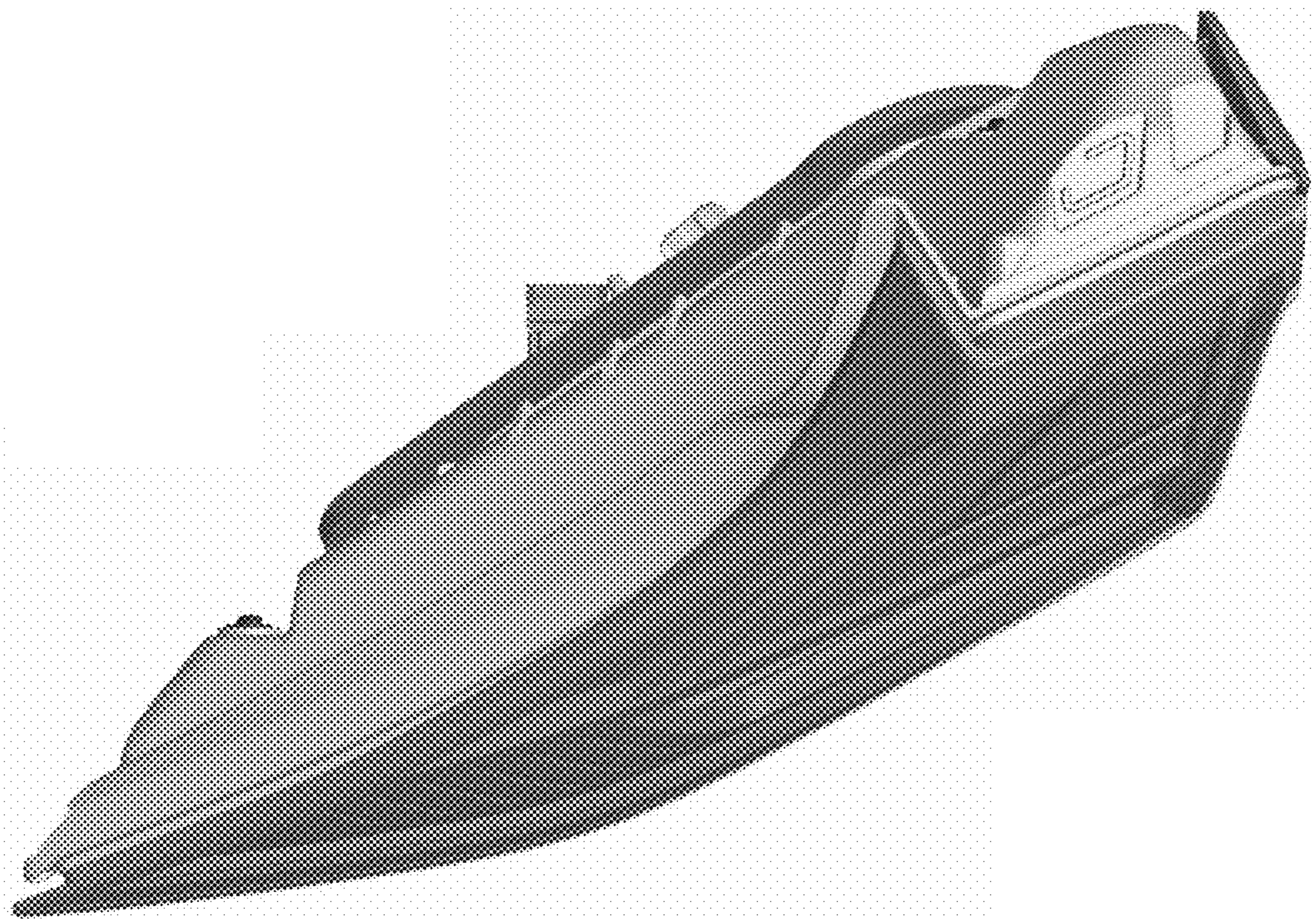
1.4



1.5



1.6



1.7

