



US00D906557S

(12) **United States Design Patent** (10) **Patent No.:** **US D906,557 S**
Patel (45) **Date of Patent:** **** Dec. 29, 2020**

(54) **VEHICLE HEAD LAMP**
(71) Applicant: **True Parts, Inc.**, Bakersfield, CA (US)
(72) Inventor: **Mitul Patel**, Bakersfield, CA (US)
(73) Assignee: **True Parts Inc.**, Bakersfield, CA (US)

(**) Term: **15 Years**

(21) Appl. No.: **29/717,300**

(22) Filed: **Dec. 16, 2019**

(51) **LOC (12) Cl.** **26-06**
(52) **U.S. Cl.**
USPC **D26/28**
(58) **Field of Classification Search**
USPC D26/28-36, 139
CPC F21S 48/00; F21S 48/10; F21S 48/115;
F21S 48/225; F21S 48/1233; F21S
48/1266; F21S 48/1388; F21S 48/2268;
F21V 21/04; F21V 29/004; F21W
2103/35; F21W 3/40; F21W 2102/17;
F21W 2102/30; F21W 2103/00; F21W
2103/55; F21W 2104/00; F21W 2107/13;
F21W 2107/17

See application file for complete search history.

(56) **References Cited**

U.S. PATENT DOCUMENTS

D626,670 S * 11/2010 Metzger D26/28
D688,400 S * 8/2013 Haumann D26/28
D716,477 S * 10/2014 Chu D26/28
D718,478 S * 11/2014 Adams D26/28

* cited by examiner

Primary Examiner — Marcus A Jackson
(74) *Attorney, Agent, or Firm* — James M. Duncan;
Scanlon Duncan LLP

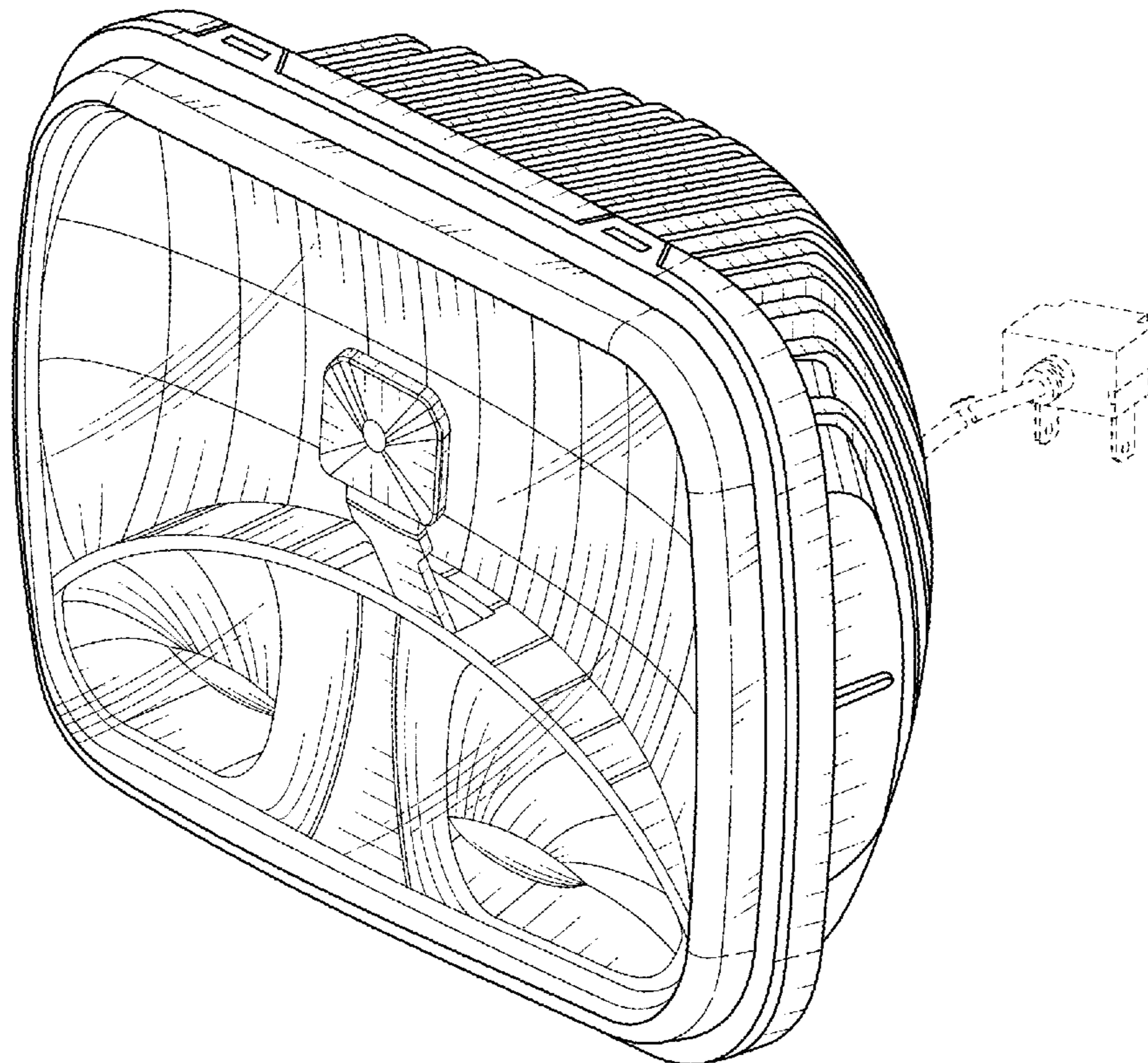
(57) **CLAIM**

The ornamental design for a vehicle head lamp, as shown and described.

DESCRIPTION

FIG. 1 is a perspective view of a vehicle head lamp showing my new design;
FIG. 2 is a front view thereof;
FIG. 3 is a rear view thereof;
FIG. 4 is a right side view thereof;
FIG. 5 is a left side view thereof;
FIG. 6 is a top view thereof; and,
FIG. 7 is a bottom view thereof.
The broken lines are included for the purpose of illustrating unclaimed portions of the vehicle head lamp and form no part of the claimed design.

1 Claim, 4 Drawing Sheets



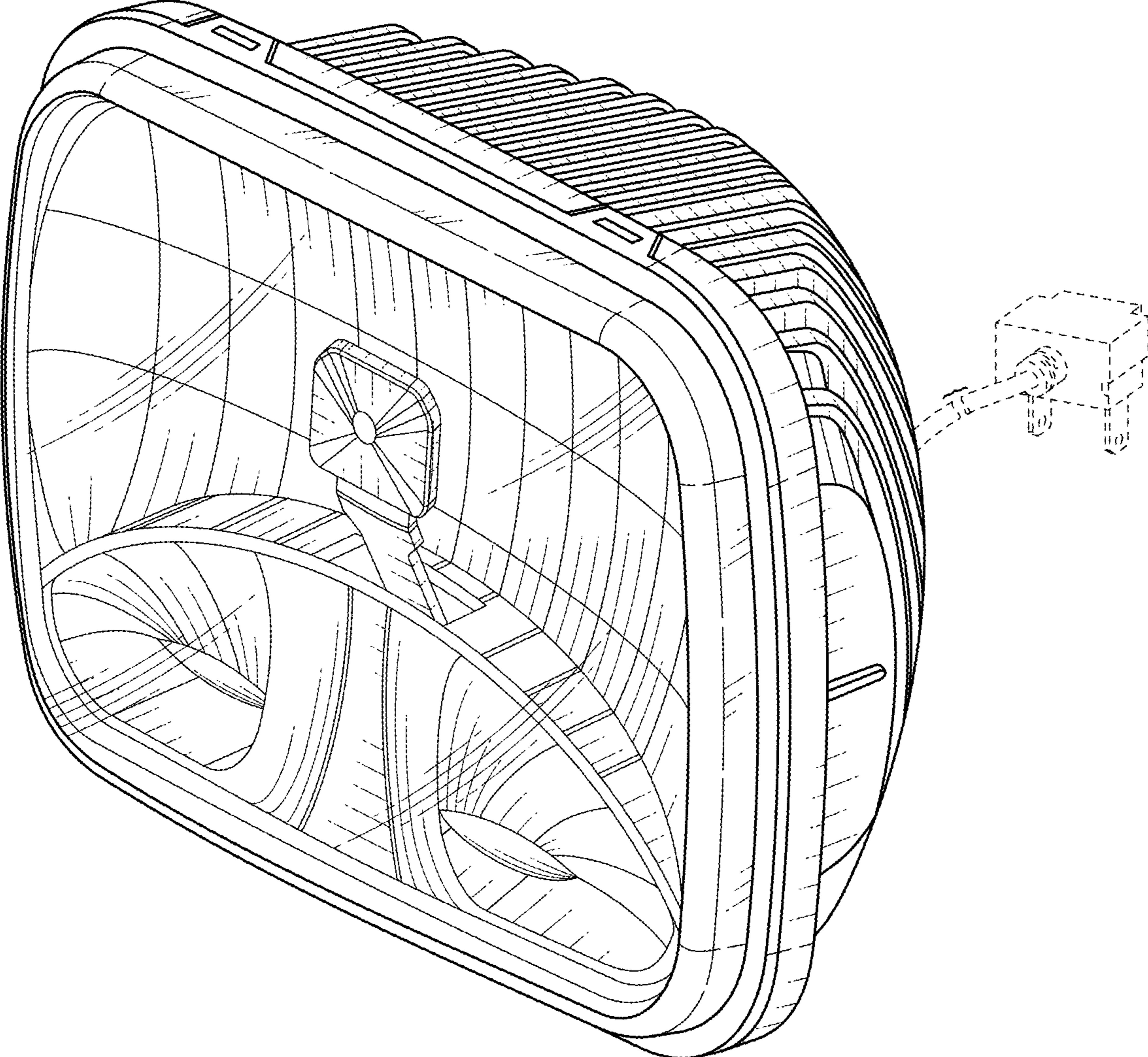


FIG. 1

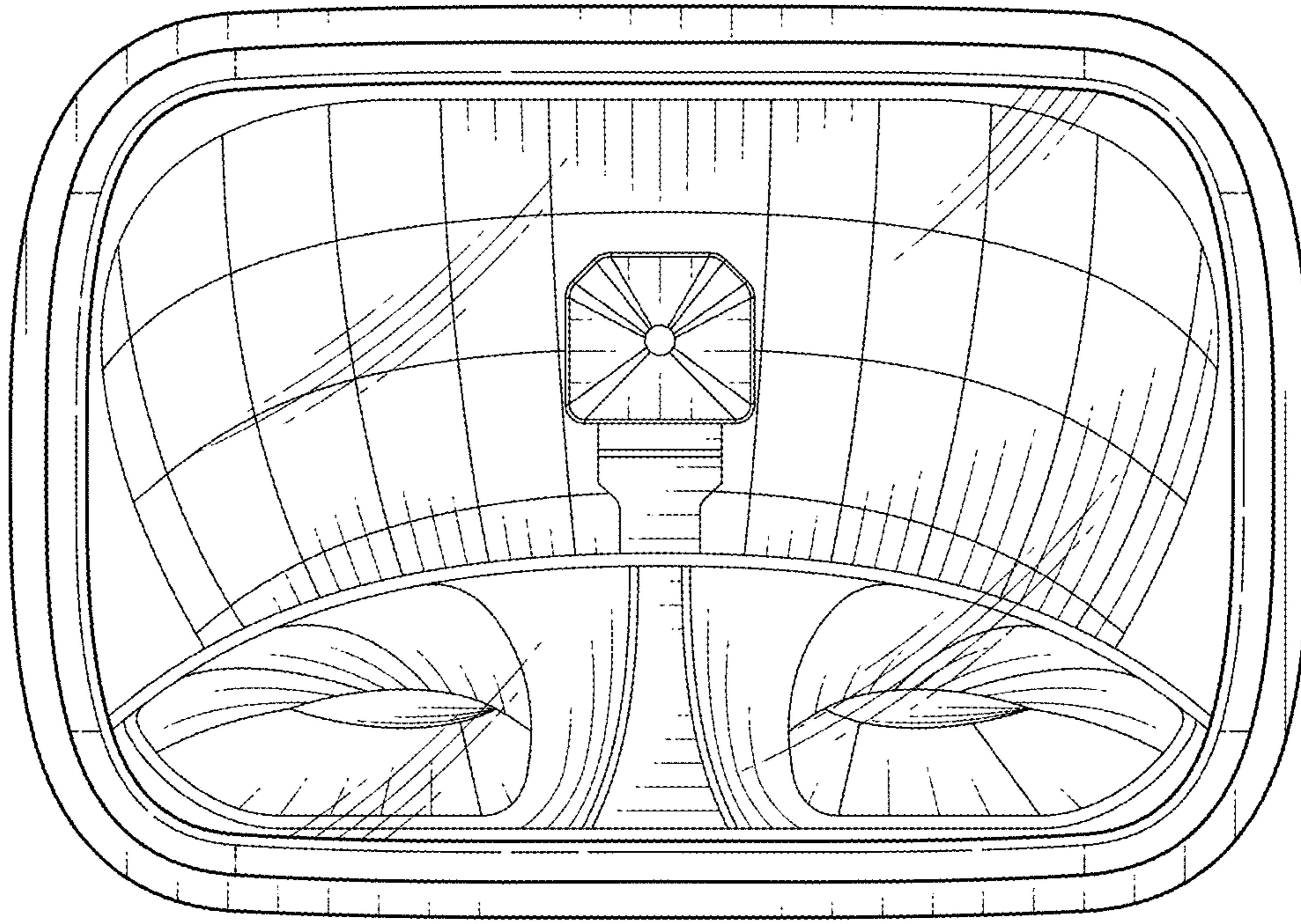


FIG. 2

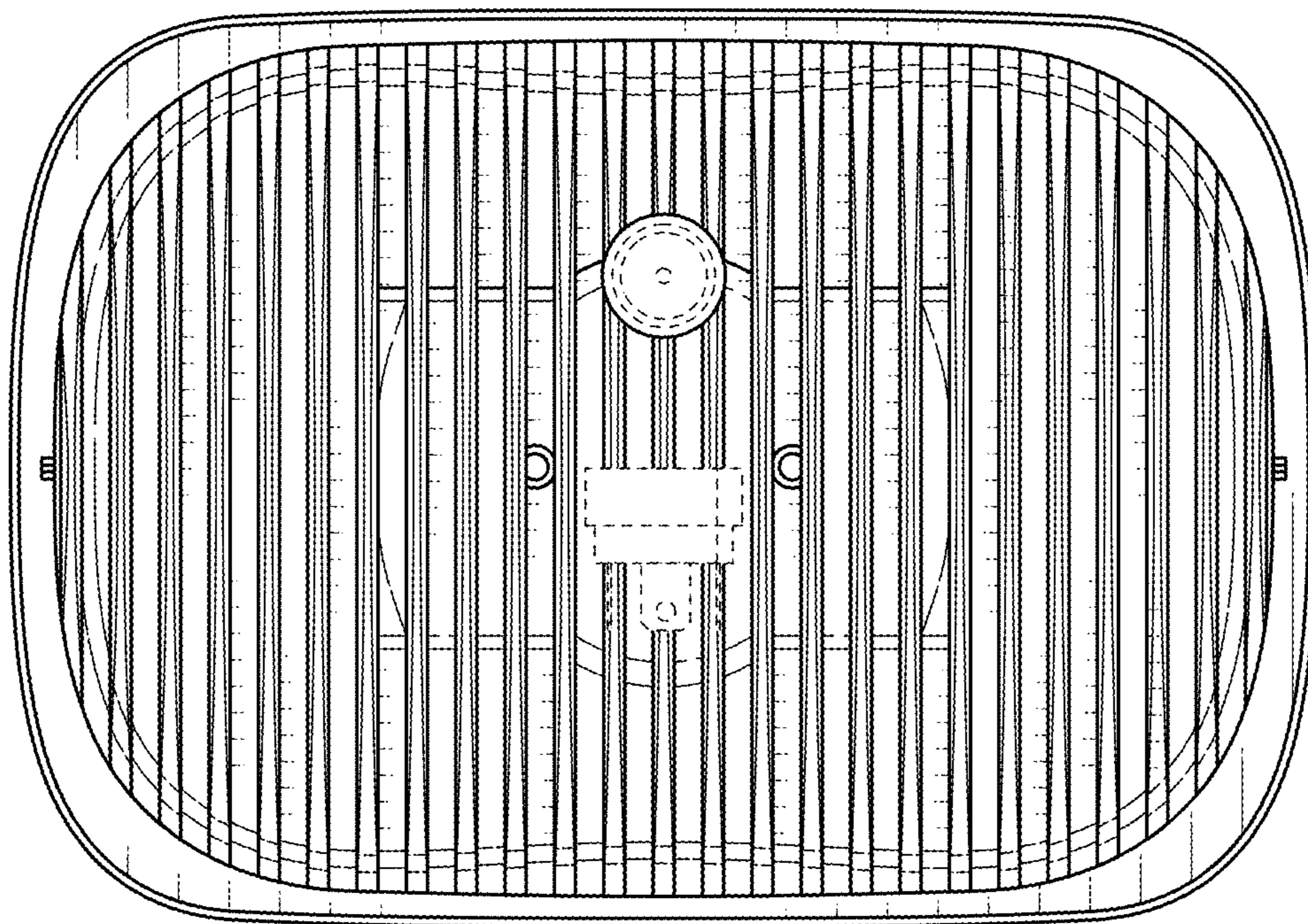


FIG. 3

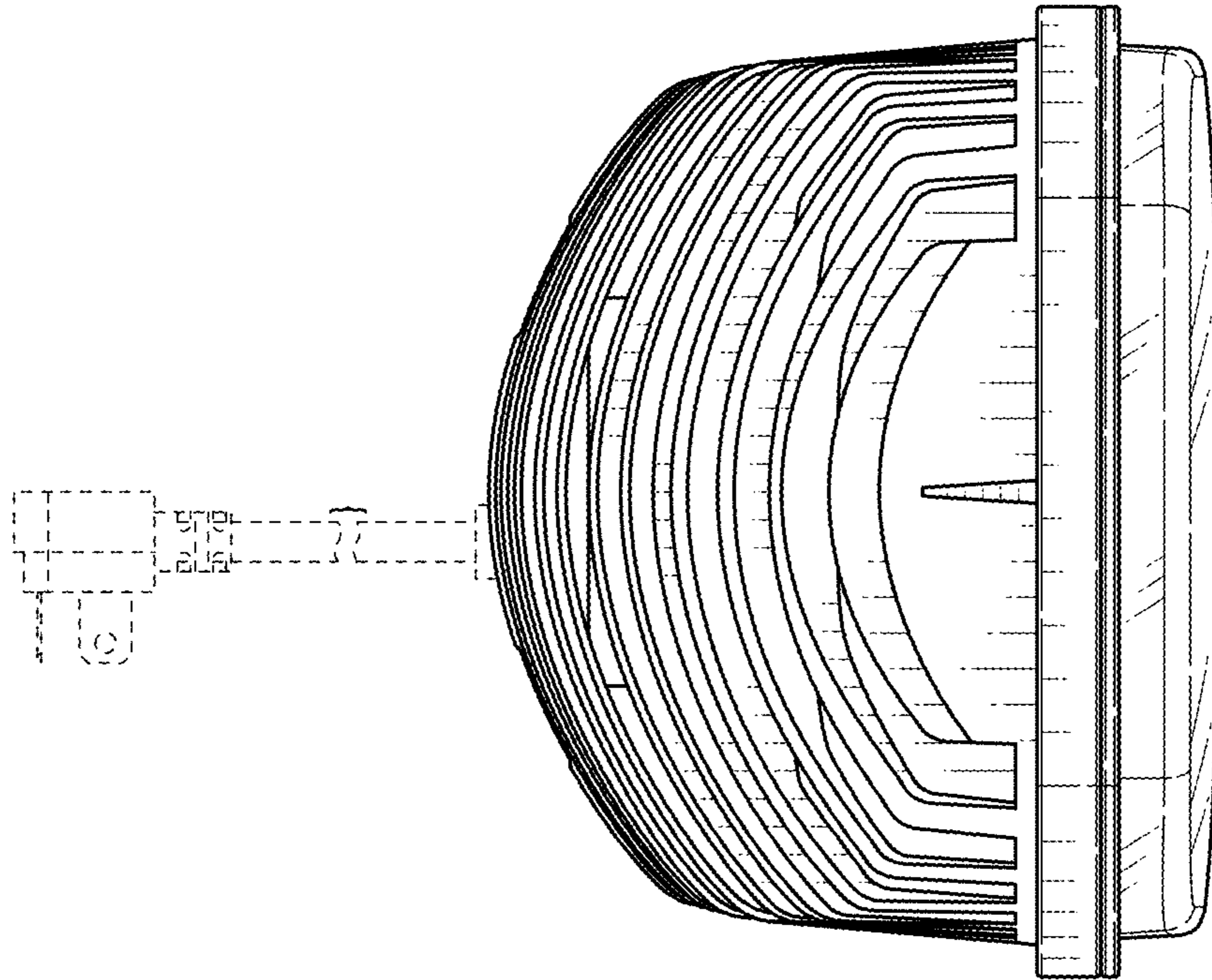


FIG. 4

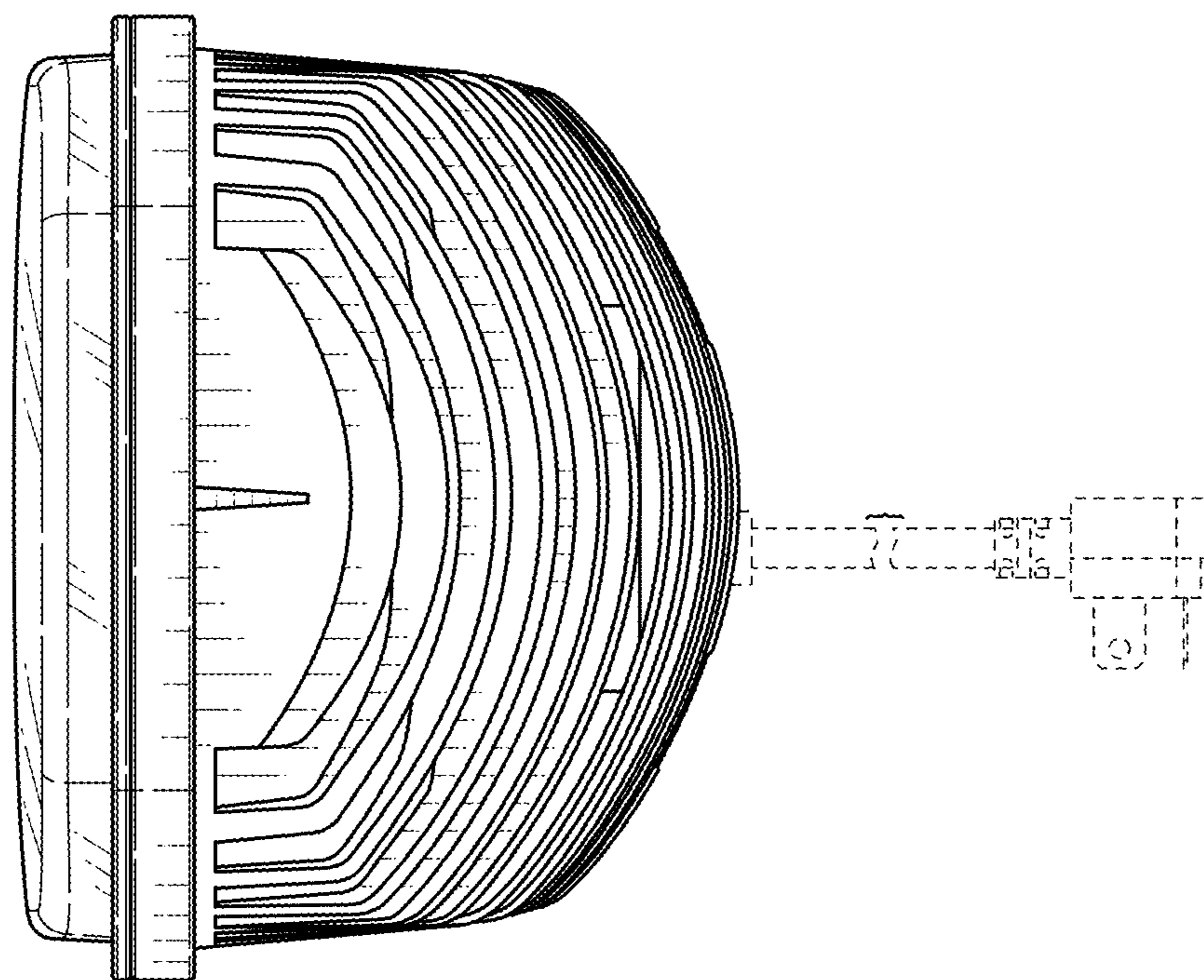


FIG. 5

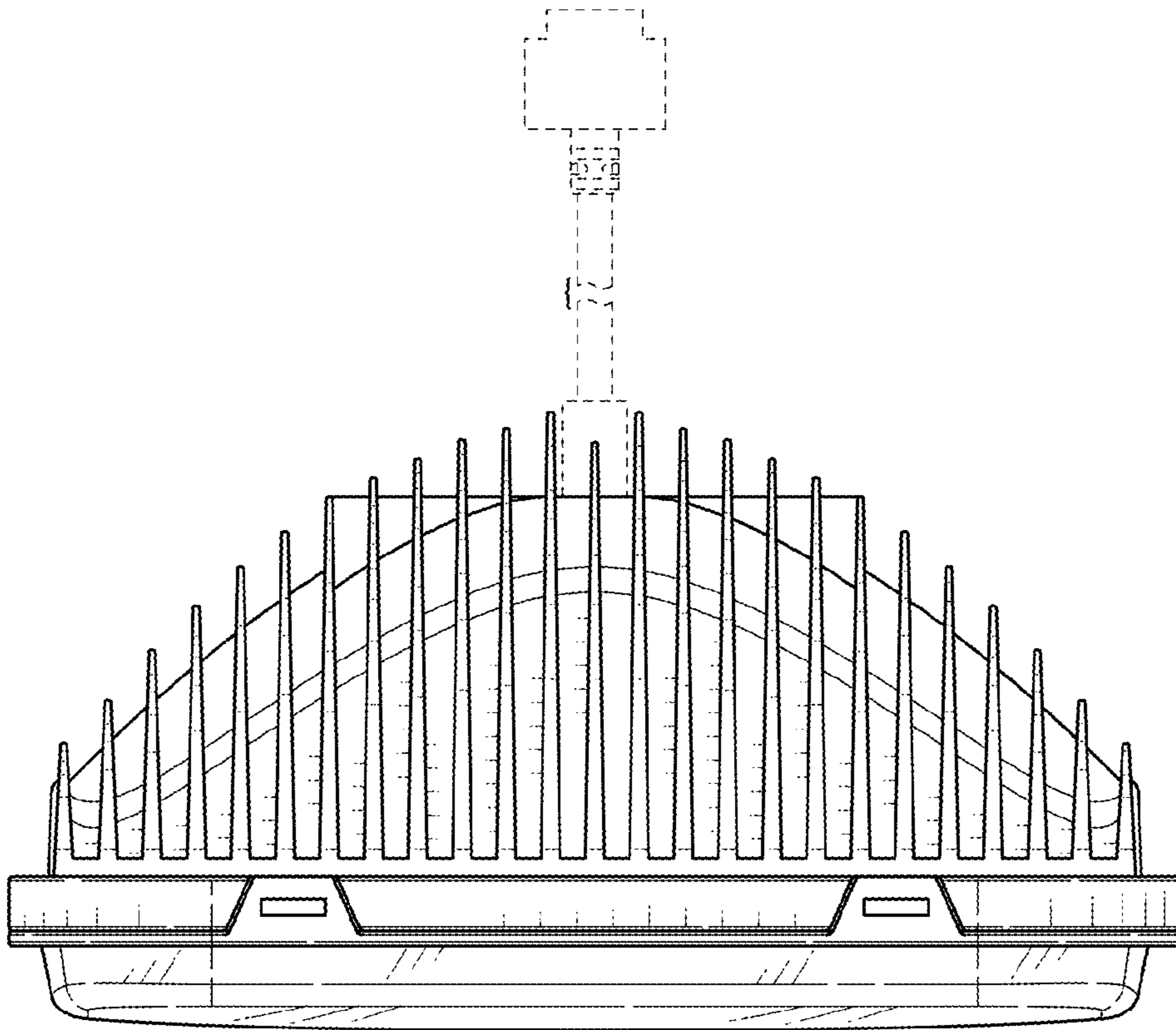


FIG. 6

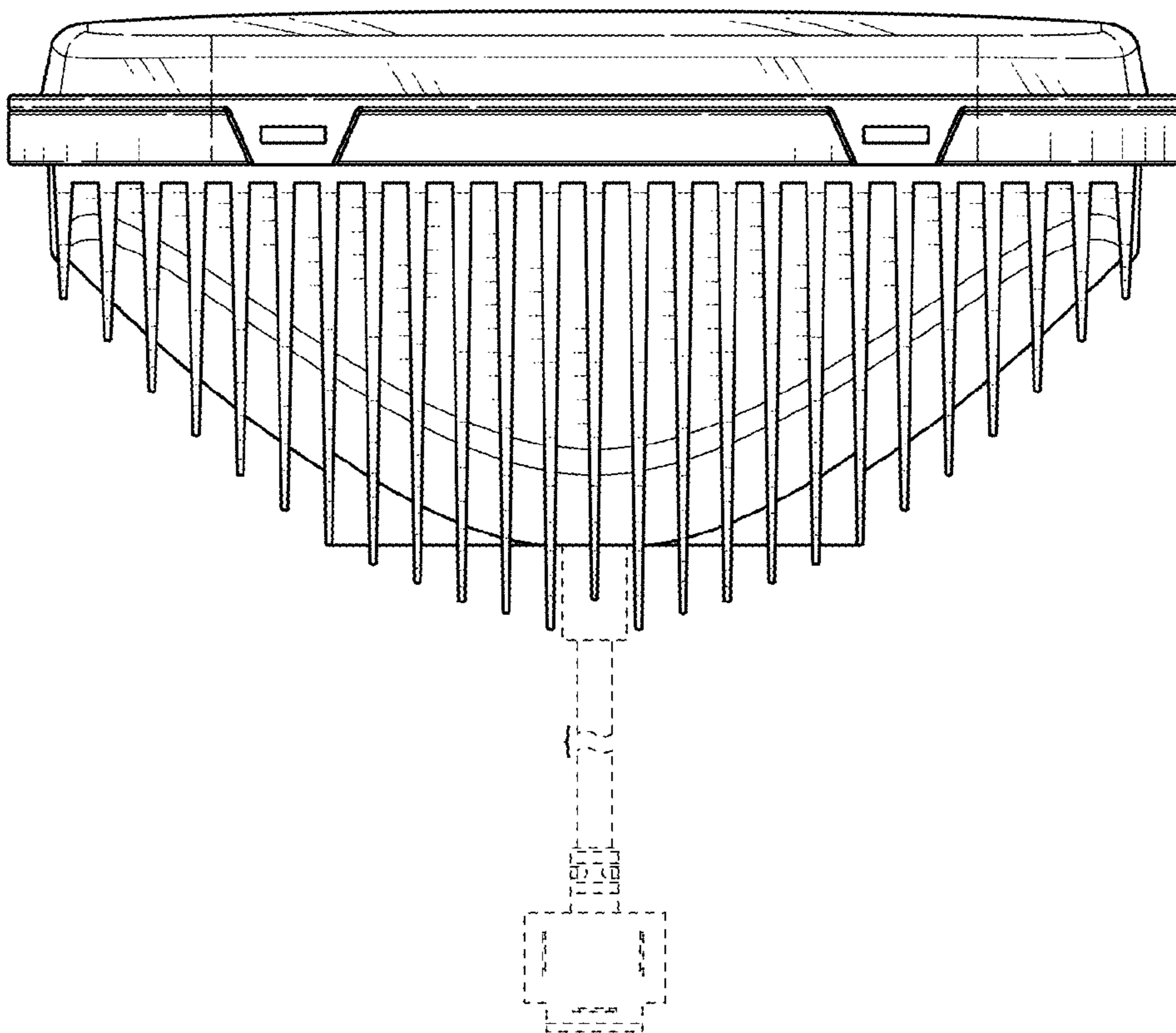


FIG. 7