



US00D906556S

(12) **United States Design Patent**
Yang

(10) **Patent No.:** **US D906,556 S**

(45) **Date of Patent:** **** Dec. 29, 2020**

(54) **VEHICLE HEADLIGHT**

D787,720 S * 5/2017 Lai D26/28
D787,721 S * 5/2017 Lai D26/28
D797,324 S * 9/2017 Lai D26/28

(71) Applicant: **SONAR AUTO PARTS CO., LTD.**,
New Taipei (TW)

* cited by examiner

(72) Inventor: **Hsiu-Pen Yang**, New Taipei (TW)

Primary Examiner — Marcus A Jackson

(73) Assignee: **SONAR AUTO PARTS CO., LTD.**,
New Taipei (TW)

(74) *Attorney, Agent, or Firm* — Li & Cai Intellectual
Property Office

(**) Term: **15 Years**

(21) Appl. No.: **29/713,935**

(57) **CLAIM**

(22) Filed: **Nov. 20, 2019**

The ornamental design for a vehicle headlight, as shown and
described.

(51) **LOC (12) Cl.** **26-06**

(52) **U.S. Cl.**
USPC **D26/28**

(58) **Field of Classification Search**
USPC D26/28–36, 139
CPC F21S 48/00; F21S 48/10; F21S 48/115;
F21S 48/225; F21S 48/1233; F21S
48/1266; F21S 48/1388; F21S 48/2268;
F21V 21/04; F21V 29/004; F21W
2103/35; F21W 3/40; F21W 2102/17;
F21W 2102/30; F21W 2103/00; F21W
2103/55; F21W 2104/00; F21W 2107/13;
F21W 2107/17; B60Q 9/13; B60Q 9/135;
B60Q 9/1375

See application file for complete search history.

DESCRIPTION

FIG. 1 is a front, top and right perspective view of a vehicle
headlight showing my new design;
FIG. 2 is a front elevational view thereof;
FIG. 3 is a rear elevational view thereof;
FIG. 4 is a left side elevational view thereof;
FIG. 5 is a right side elevational view thereof;
FIG. 6 is a top plan view thereof; and,
FIG. 7 is a bottom plan view thereof.

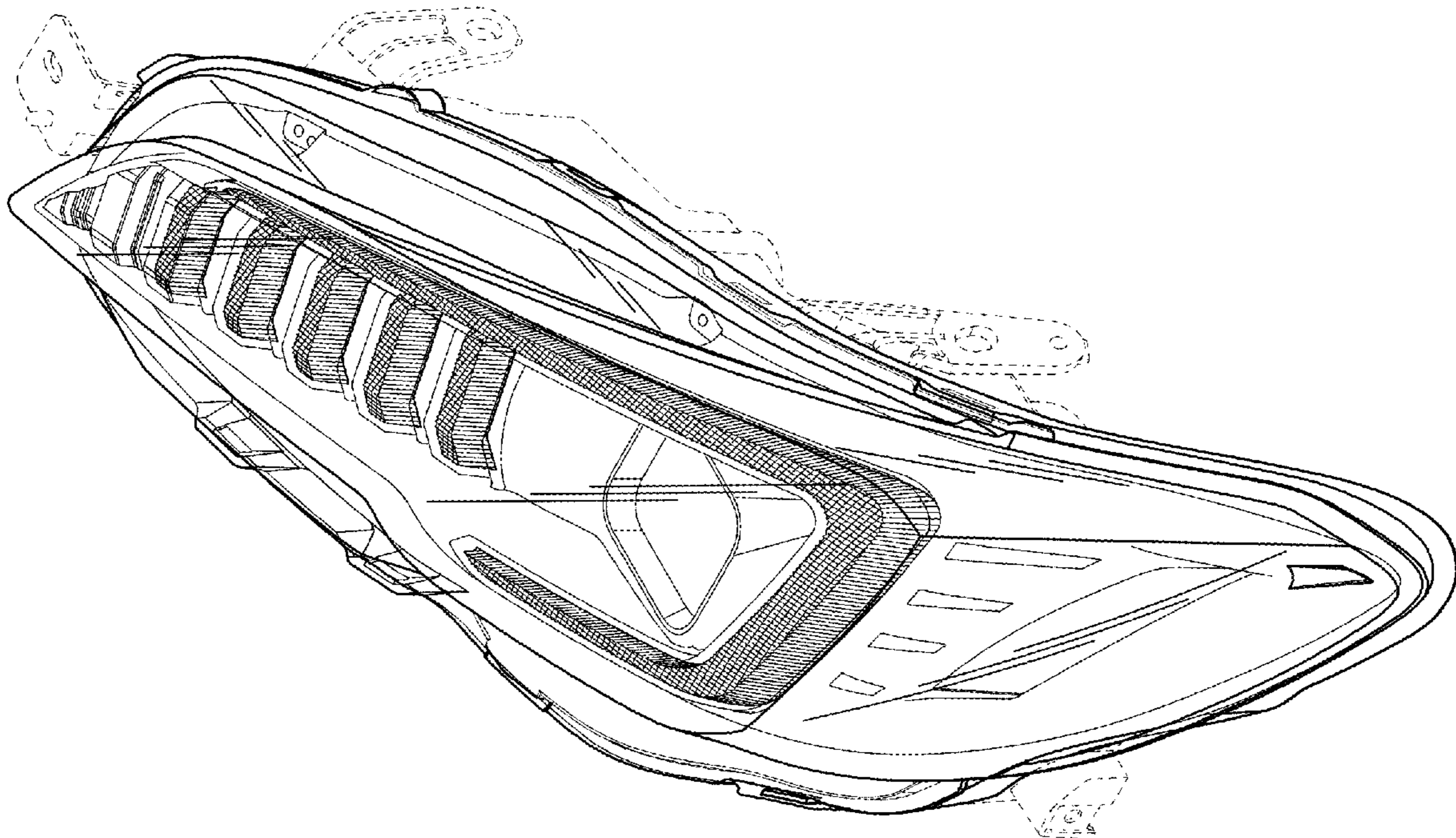
The broken lines depict portions of the vehicle headlight in
which the design is embodied that forms no part of the
claimed design.

(56) **References Cited**

U.S. PATENT DOCUMENTS

D605,792 S * 12/2009 Weil D26/28
D742,046 S * 10/2015 Hwang D26/28
D755,421 S * 5/2016 Alemany D26/28

1 Claim, 7 Drawing Sheets



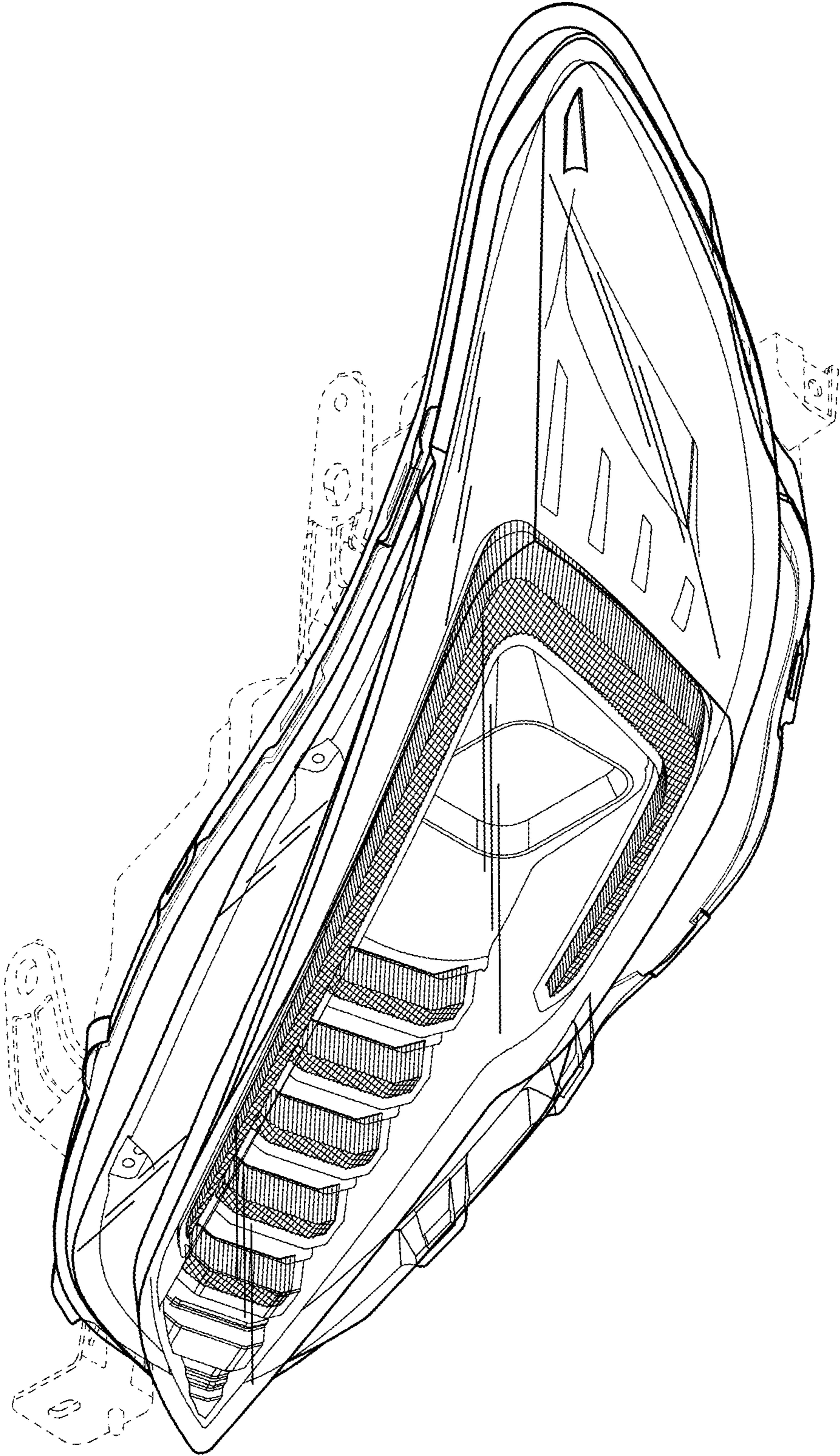


FIG. 1

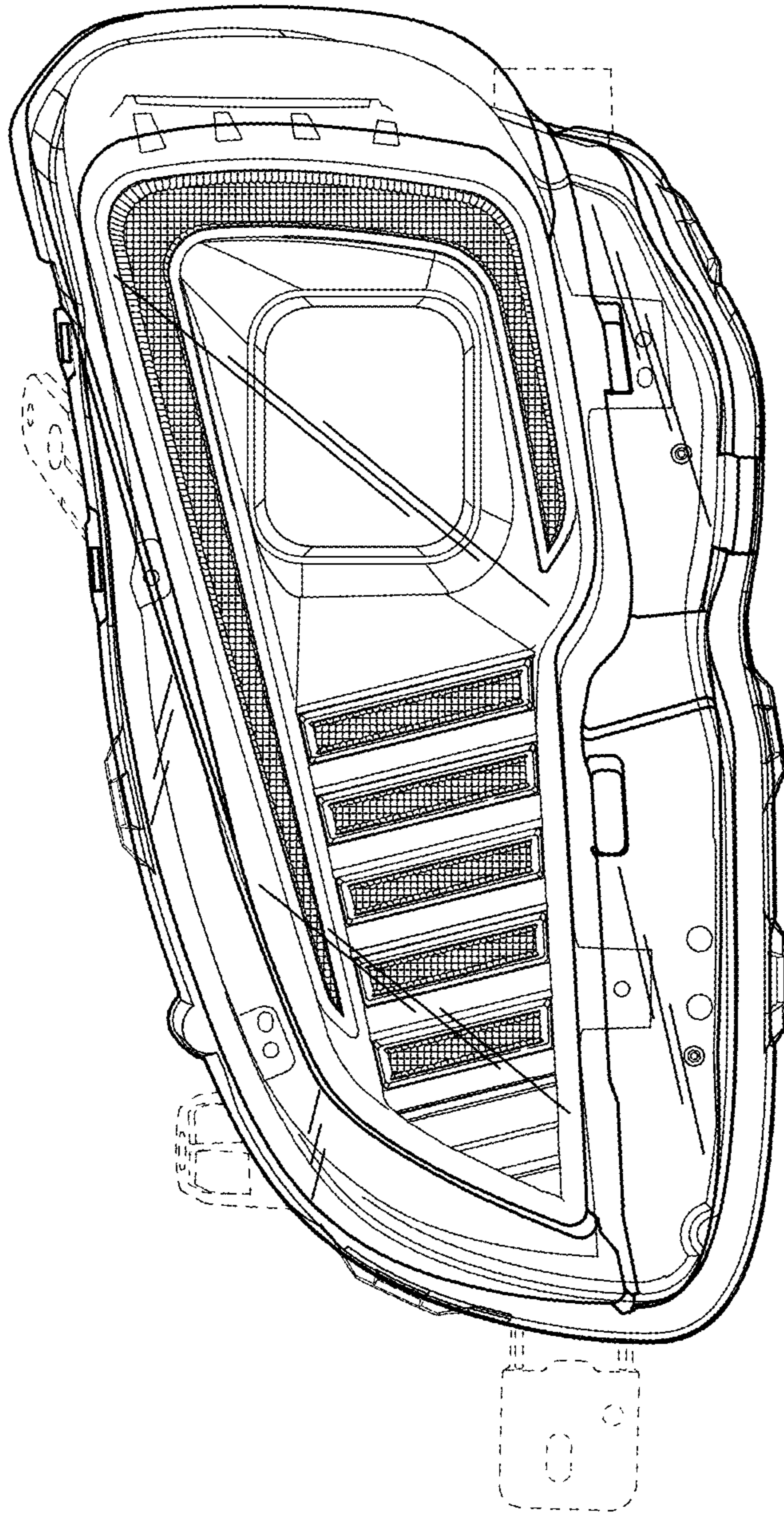


FIG. 2

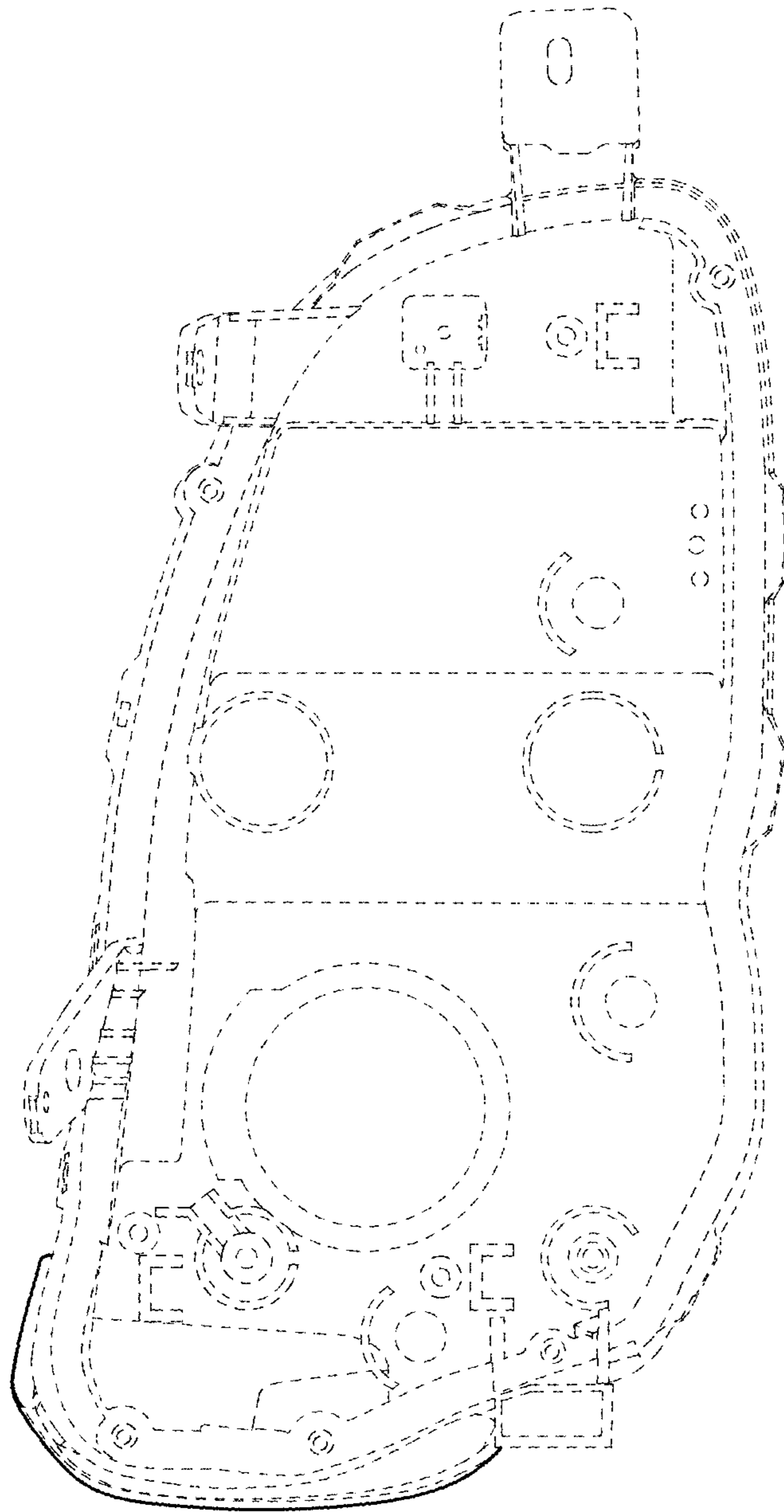


FIG. 3

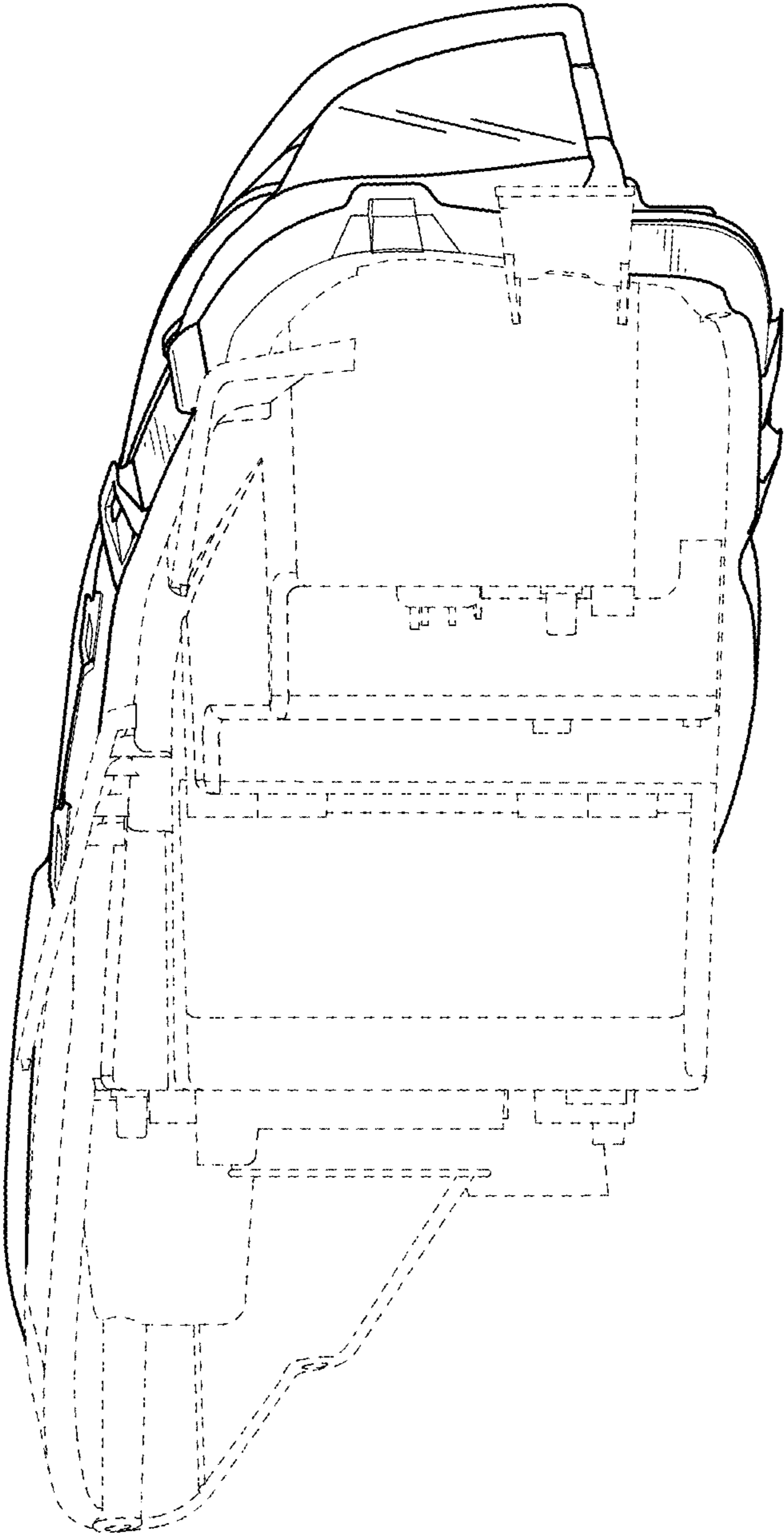


FIG. 4

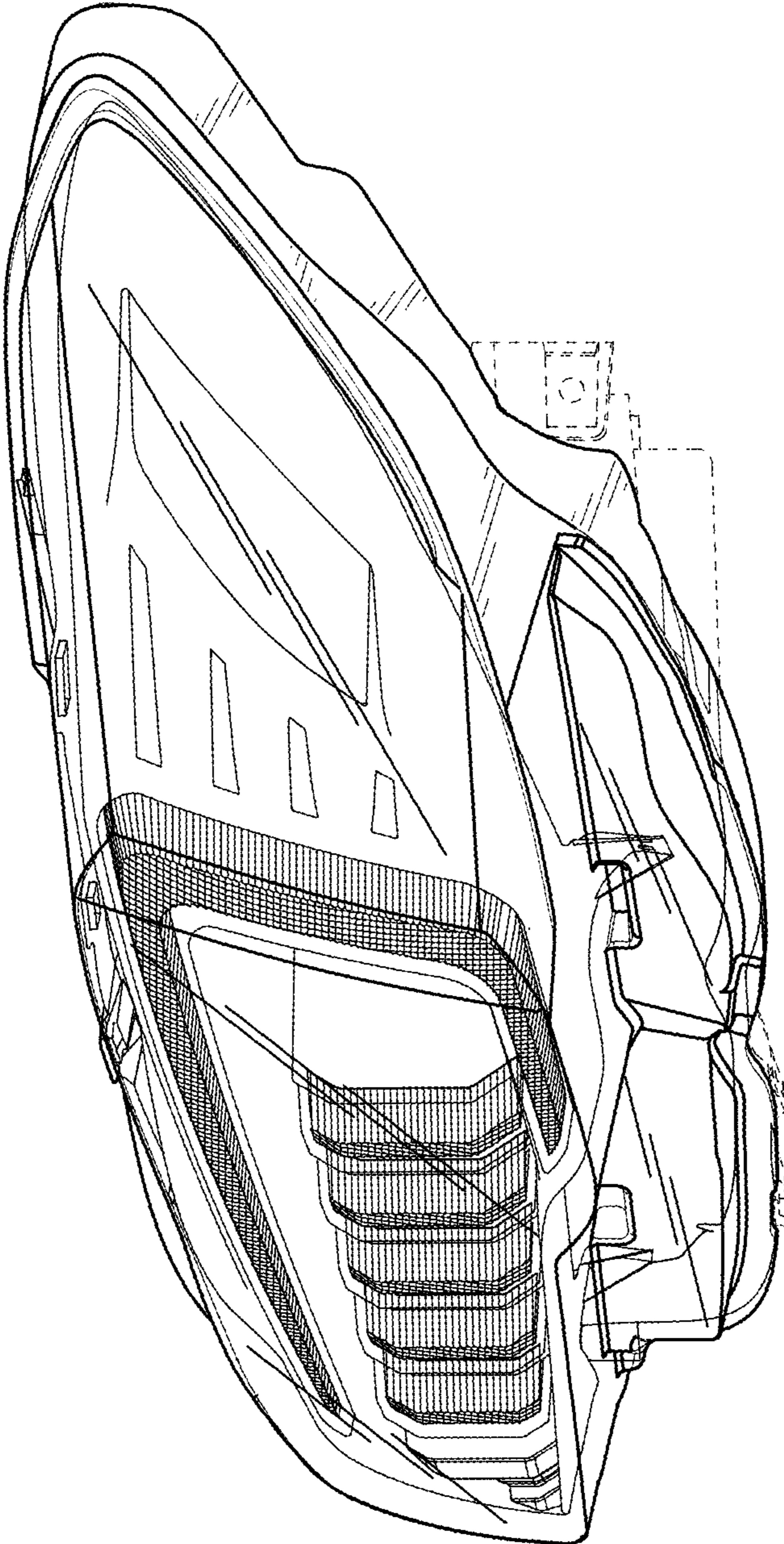


FIG. 5

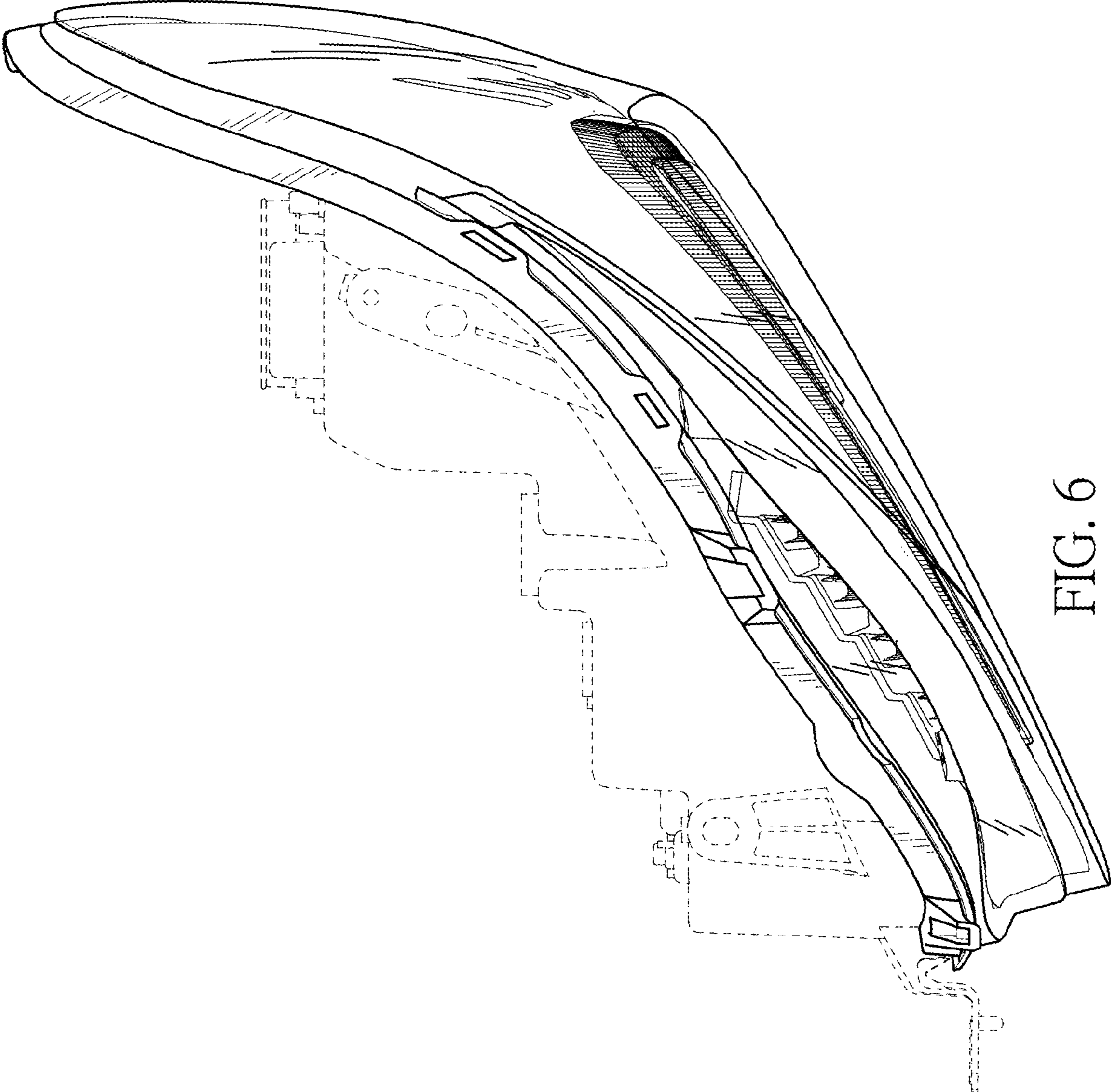


FIG. 6

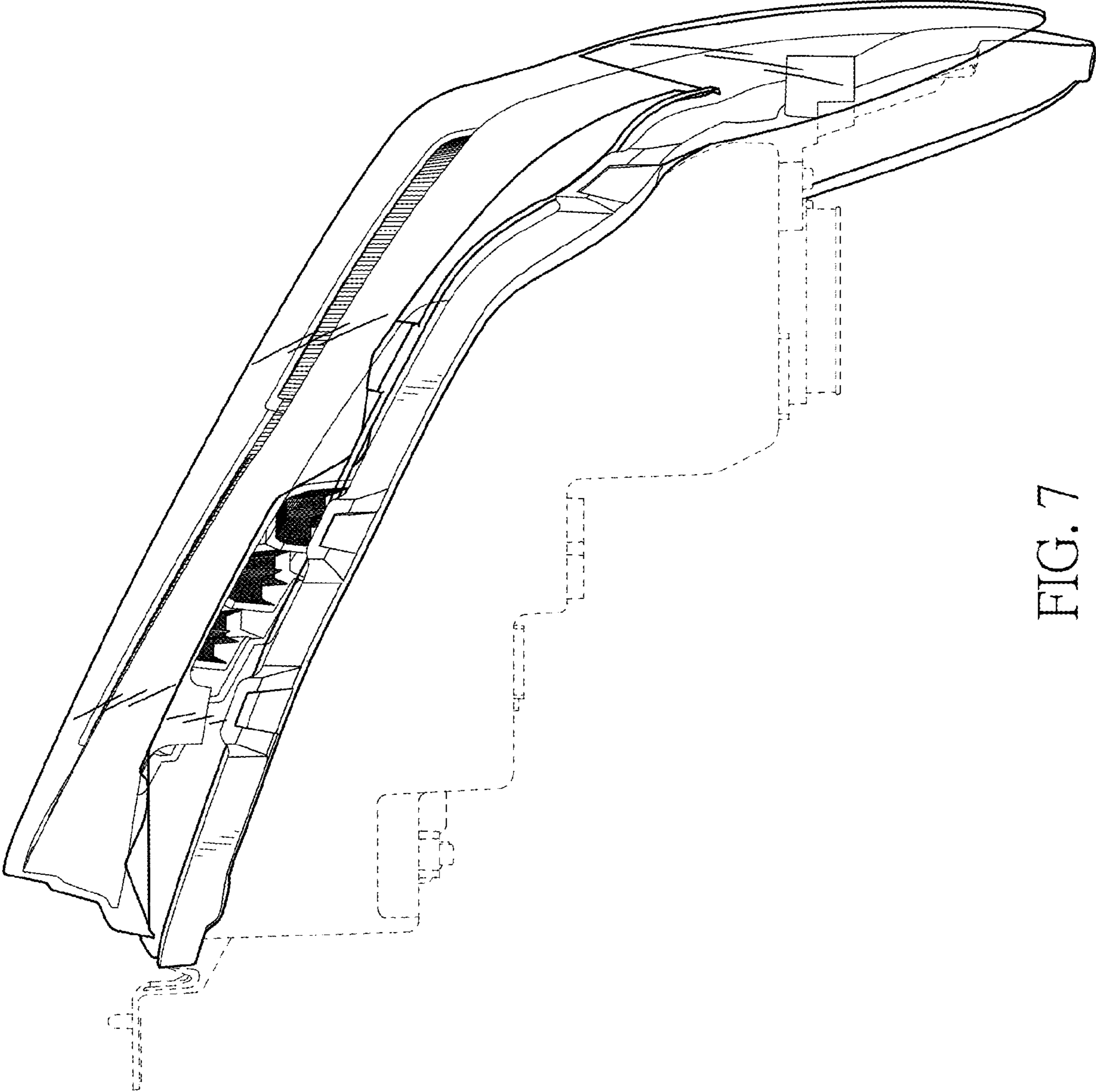


FIG. 7