



US00D906553S

(12) **United States Design Patent**  
**Wilcox**

(10) **Patent No.:** **US D906,553 S**

(45) **Date of Patent:** **\*\* \*Dec. 29, 2020**

(54) **DECORATIVE LIGHT HOUSING**

(71) Applicant: **Isaac Wilcox**, Berkley, CA (US)

(72) Inventor: **Isaac Wilcox**, Berkley, CA (US)

(\*) Notice: This patent is subject to a terminal disclaimer.

(\*\*) Term: **15 Years**

(21) Appl. No.: **29/687,884**

(22) Filed: **Apr. 16, 2019**

(51) **LOC (12) Cl.** ..... **26-04**

(52) **U.S. Cl.**  
USPC ..... **D26/2**

(58) **Field of Classification Search**

USPC ..... D26/1-4

CPC ..... H01R 5/00; H01R 13/46; H01R 13/048;

H01R 31/02; H01R 13/514; H01J 5/00;

H01J 5/16; H01J 1/02; H01J 15/00; H01J

5/48; H01J 5/50; H01J 19/54; F21V 5/00;

F21K 9/00; F21K 13/00

See application file for complete search history.

(56) **References Cited**

**U.S. PATENT DOCUMENTS**

D602,182 S *	10/2009	Foo	.....	D26/2
D623,777 S *	9/2010	Moon	.....	D26/2
D642,316 S *	7/2011	Zheng	.....	D26/2
D663,049 S *	7/2012	Wada	.....	D26/2
D673,698 S *	1/2013	Taylor	.....	D26/2
D706,462 S *	6/2014	Lu	.....	D26/2
D712,074 S *	8/2014	Rupp	.....	D26/2
D723,194 S *	2/2015	Taylor	.....	D26/2
D743,585 S *	11/2015	Ding	.....	D26/2

\* cited by examiner

*Primary Examiner* — Marcus A Jackson

(74) *Attorney, Agent, or Firm* — Johan Eide; Christopher Pilling; My Patent Guys

(57) **CLAIM**

An ornamental design for a decorative light housing, as shown and described.

**DESCRIPTION**

FIG. 1 is a perspective view of a new design for a decorative light housing that has a cylindrical light housing with a middle ridge protruding outward from the cylindrical light housing and with an external threaded section extending from a rear edge of the cylindrical light housing to the middle ridge and within the cylindrical light housing a transparent lens resting on an internal ridge;

FIG. 2 is a perspective view of the new design for a decorative light housing illustrating a non-claimed light bulb shell adjoined to the transparent lens;

FIG. 3 is a bottom view thereof;

FIG. 4 is a top view thereof;

FIG. 5 is a right view thereof

FIG. 6 is a left view thereof;

FIG. 7 is a front thereof; and,

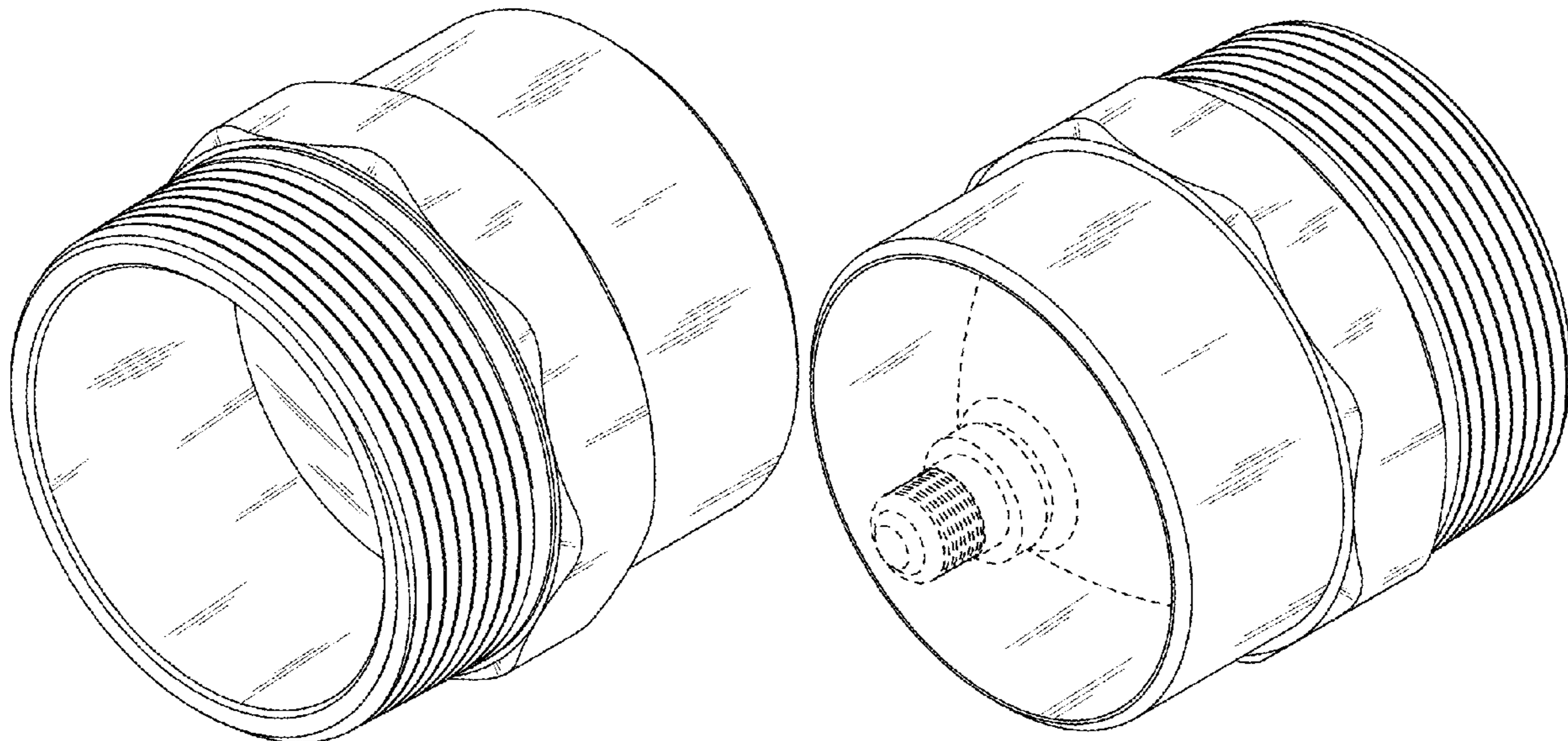
FIG. 8 is a rear view thereof.

The solid line showing illustrates the claimed features within the design for the claimed article of manufacture.

The broken lines shown in the drawings depict portions of the decorative light housing that form no part of the claimed design.

The shading is provided to illustrate contour and material type only and is not an indication of texture, gloss, etc.

**1 Claim, 8 Drawing Sheets**



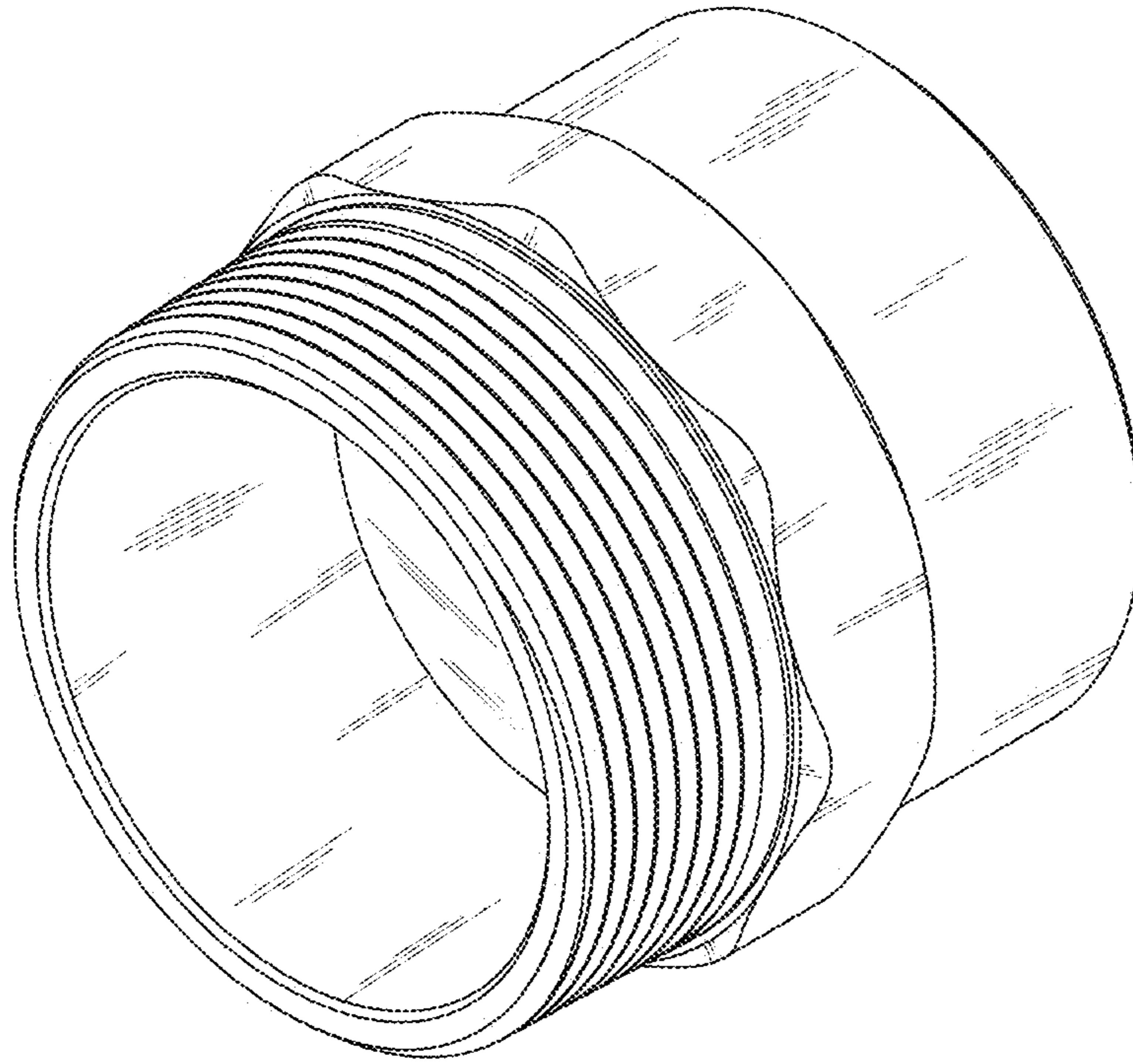


FIG. 1

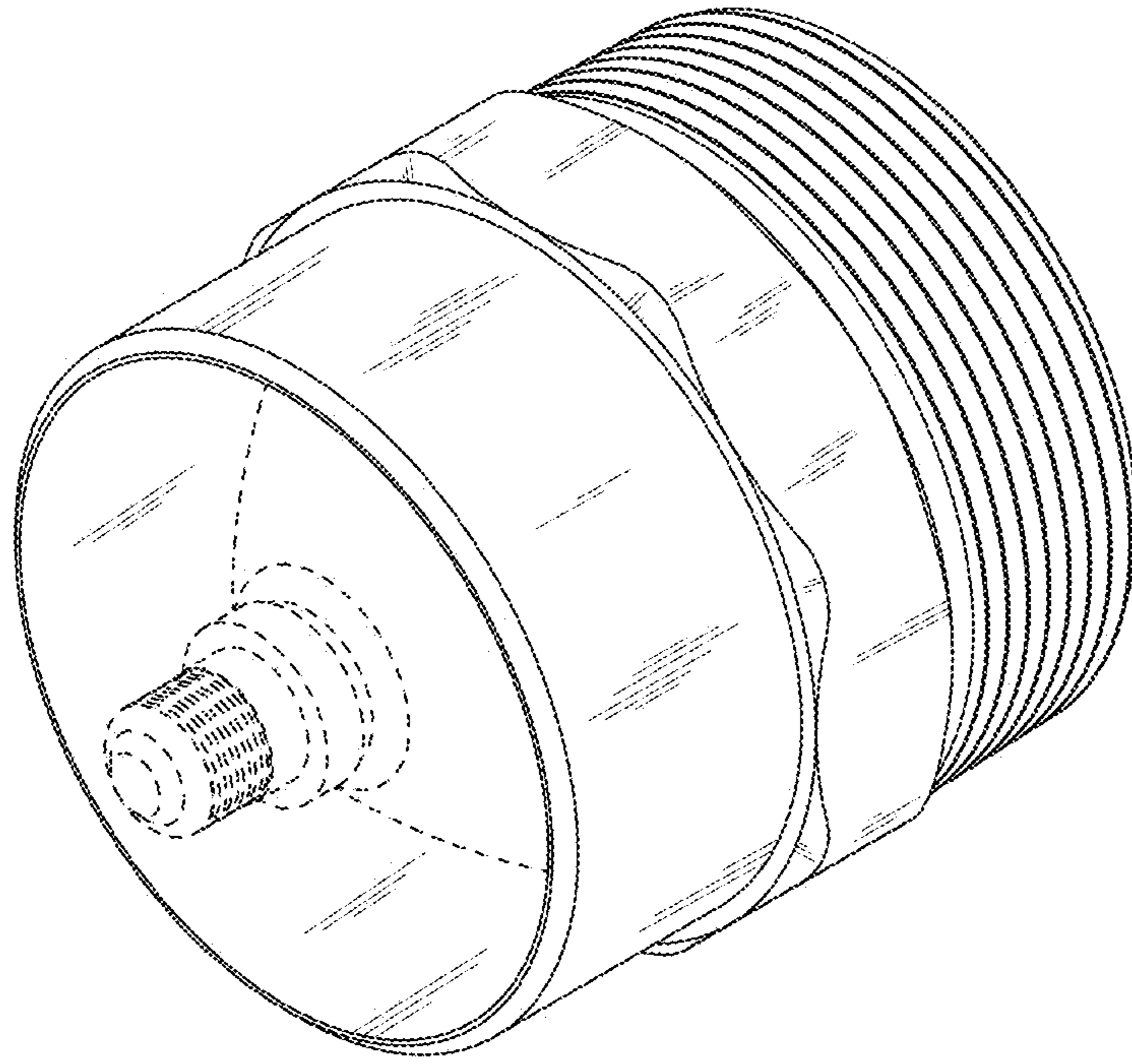


FIG. 2

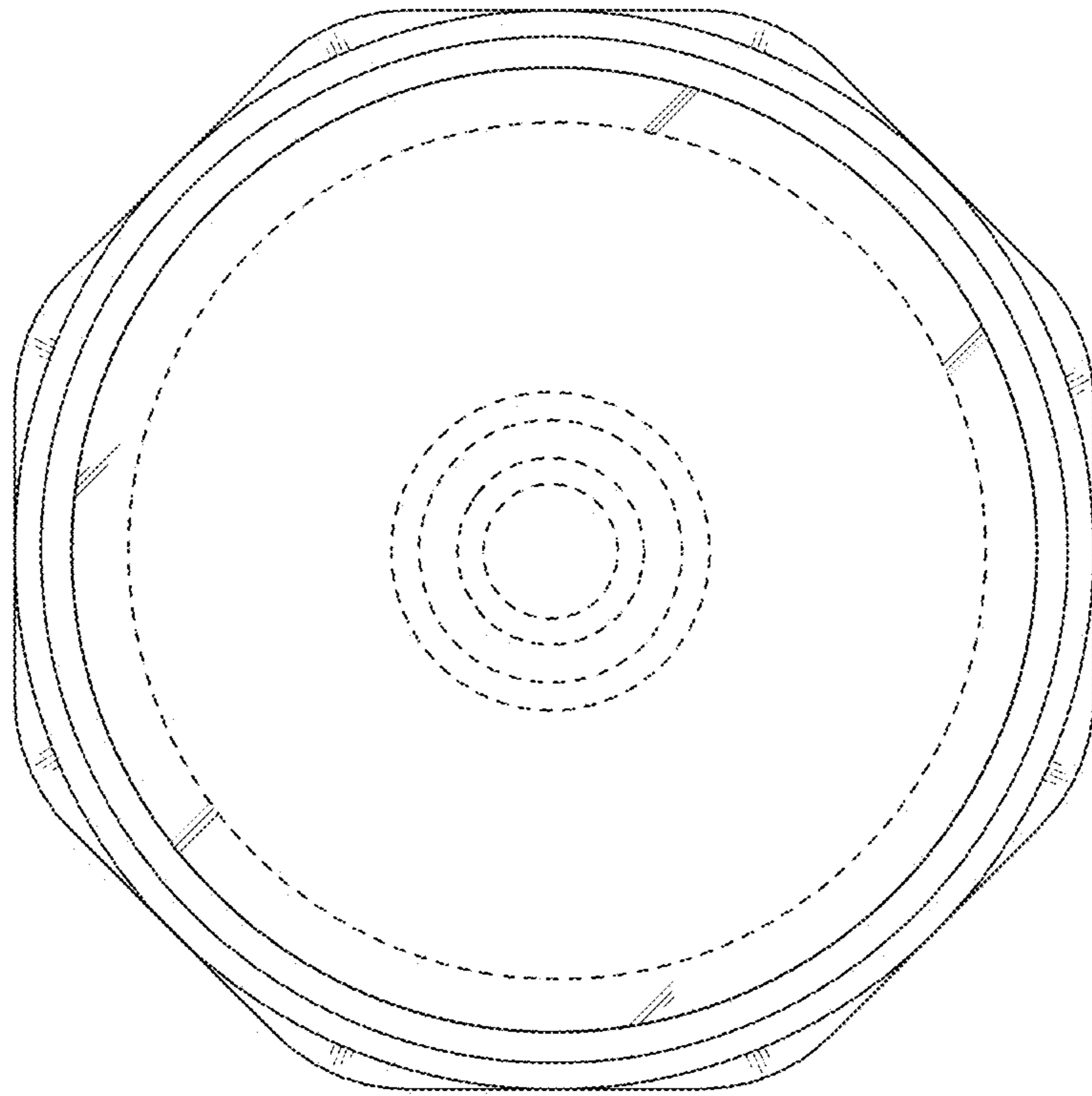


FIG. 3



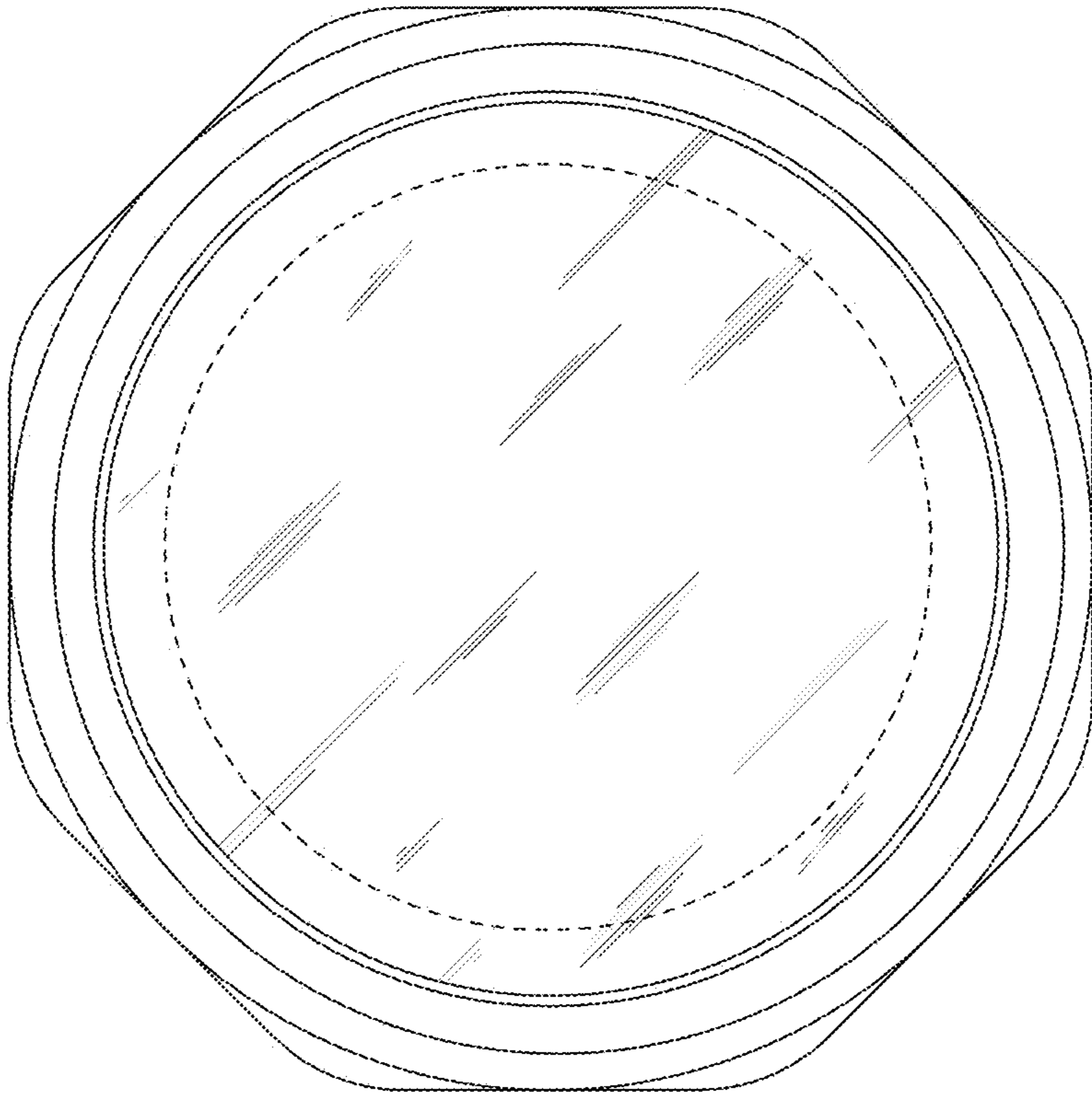


FIG. 4

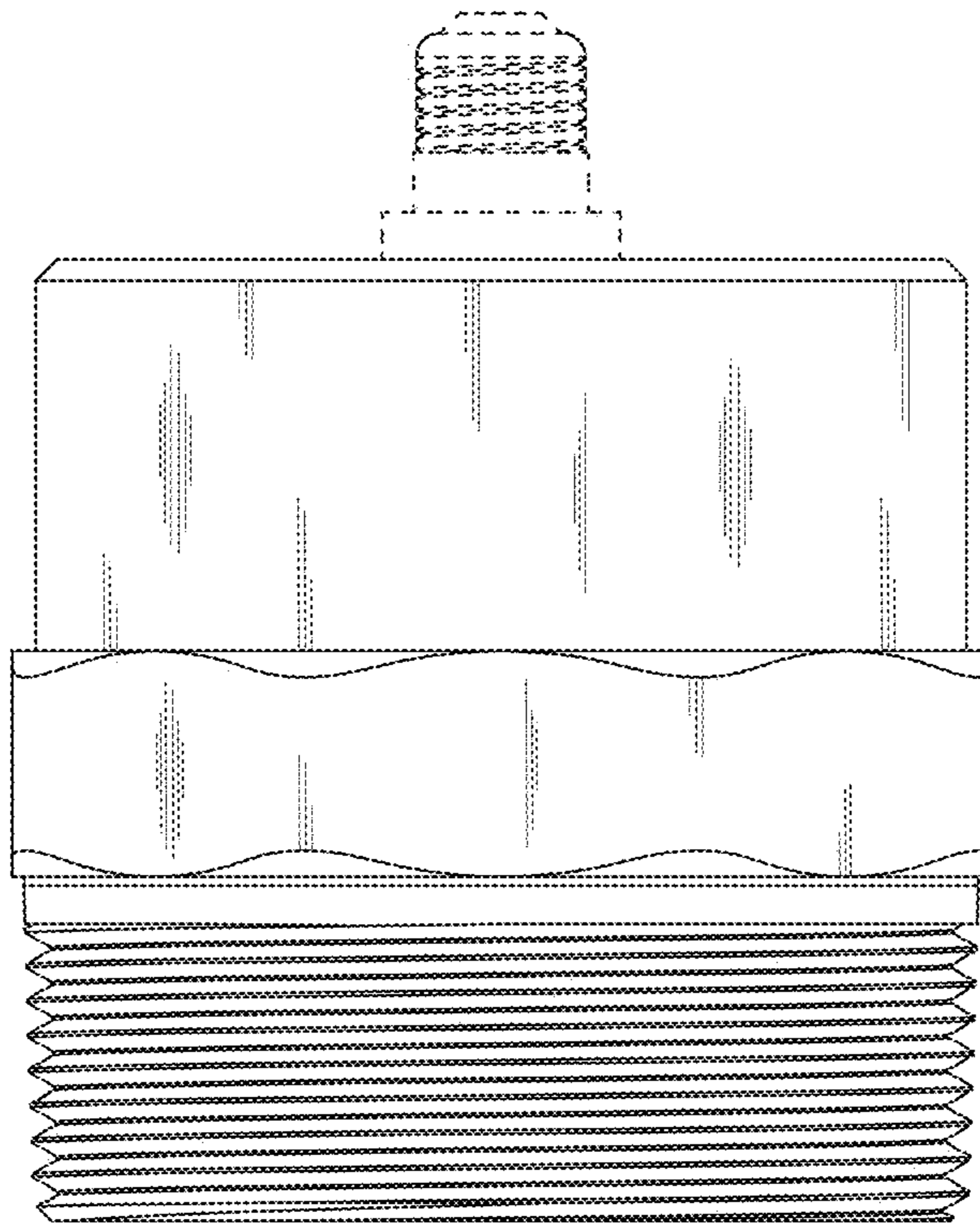


FIG. 5

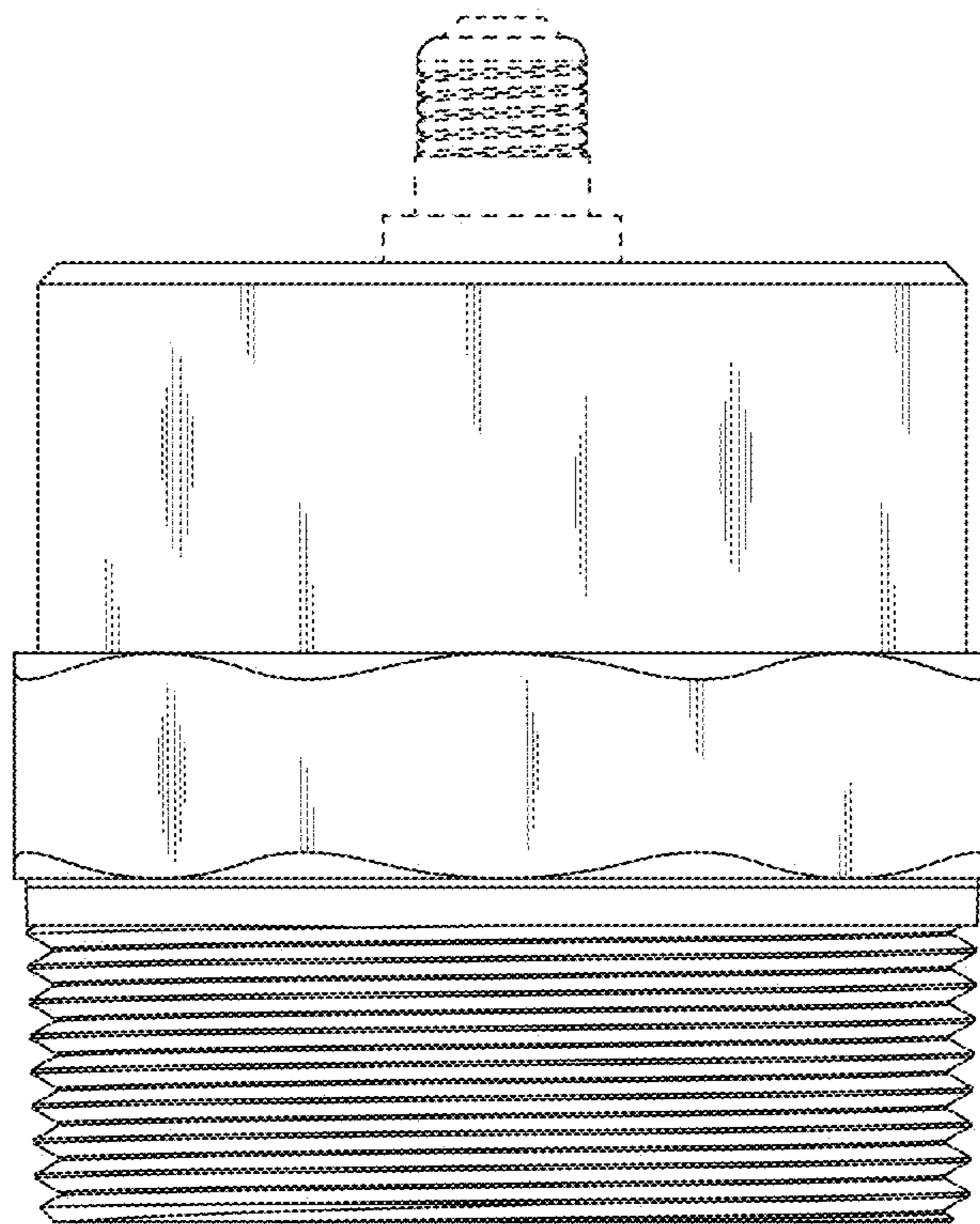


FIG. 6

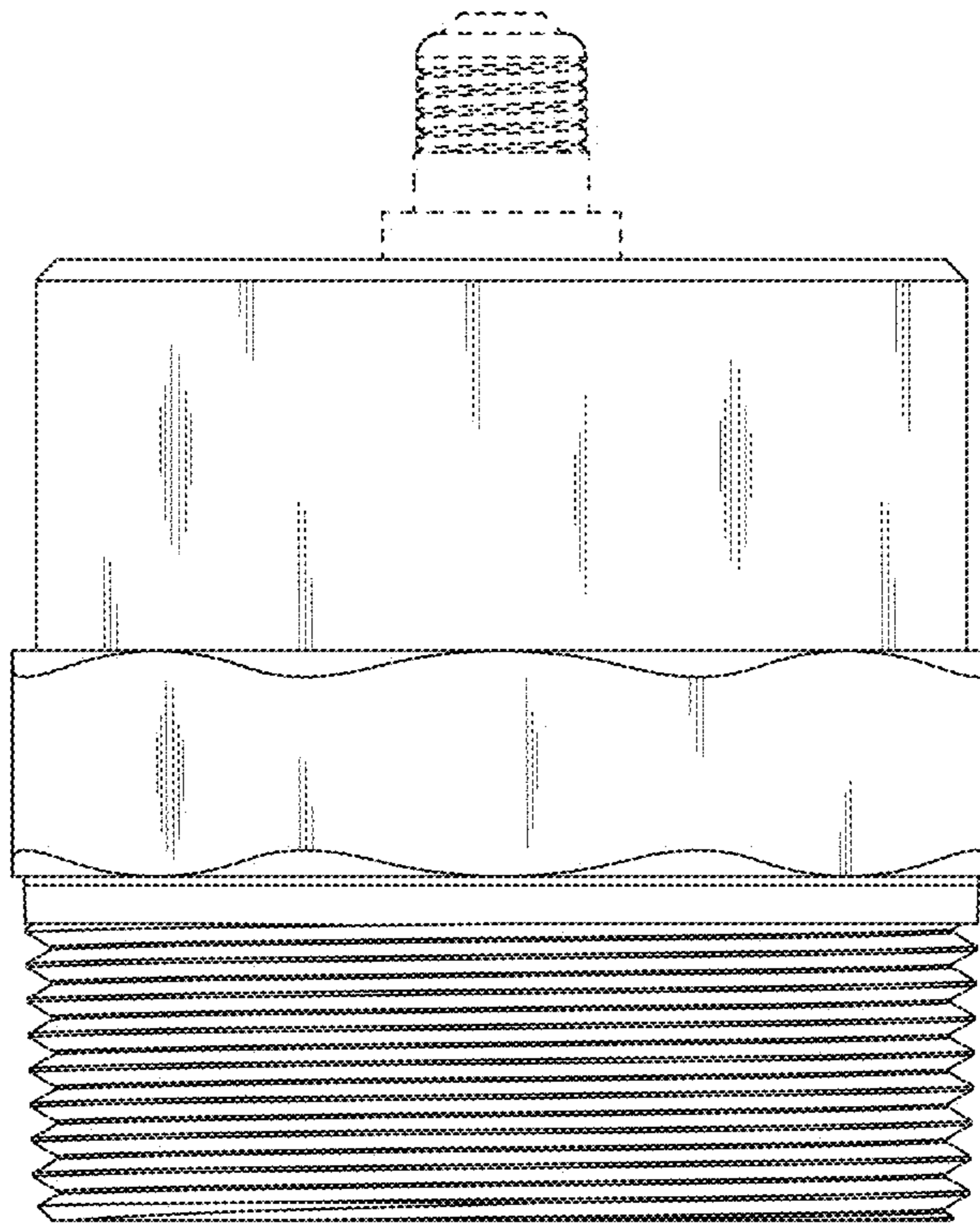


FIG. 7



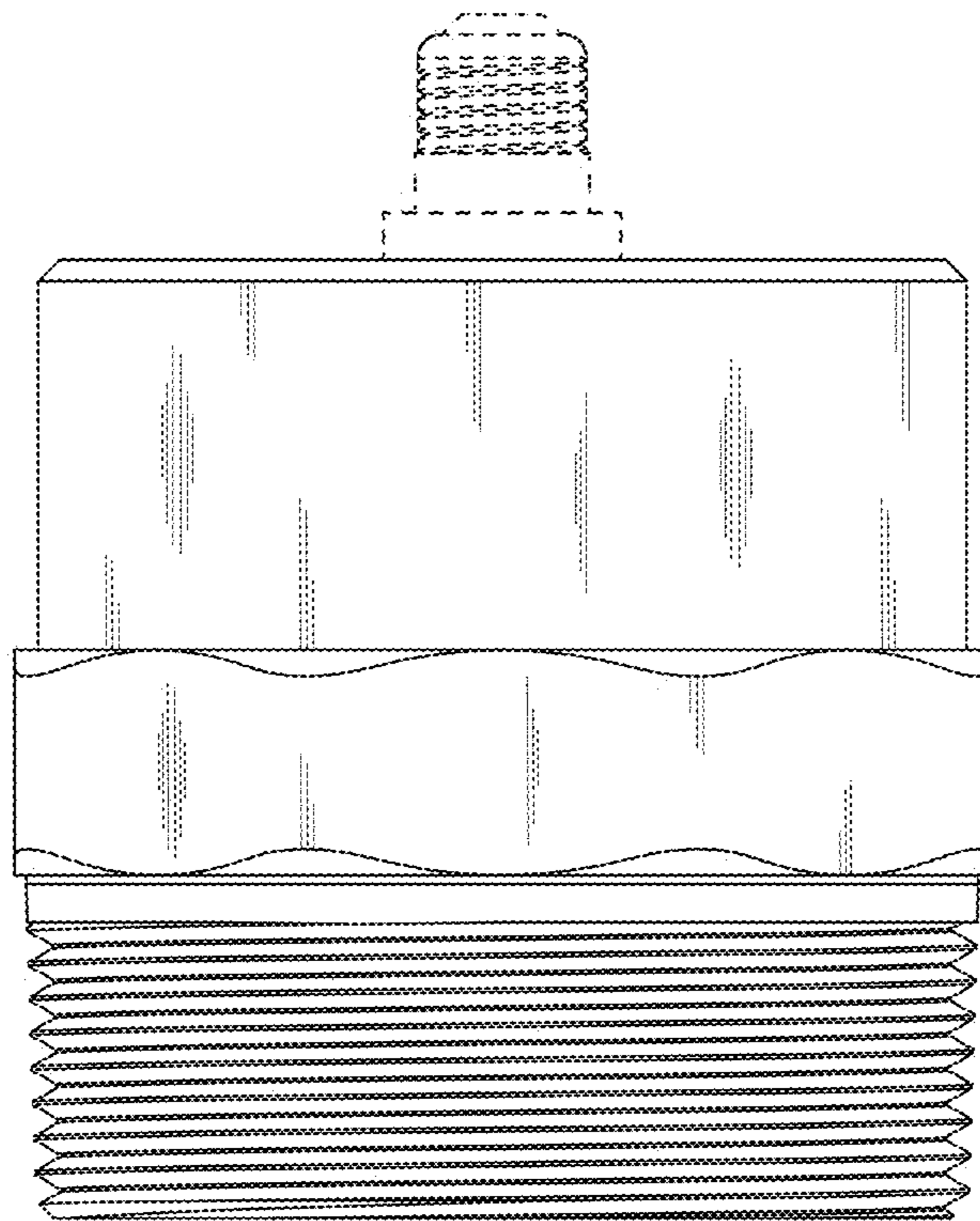


FIG. 8