



US00D906550S

(12) **United States Design Patent**  
**Raymond**

(10) **Patent No.:** **US D906,550 S**

(45) **Date of Patent:** **\*\* Dec. 29, 2020**

(54) **RAISED ACCESS FLOOR PANEL WITH EMBEDDED SENSORS**

(71) Applicant: **Raymond & Lae Engineering, Inc.**,  
Fort Collins, CO (US)

(72) Inventor: **Don Raymond**, Fort Collins, CO (US)

(\*\*) Term: **15 Years**

(21) Appl. No.: **29/674,787**

(22) Filed: **Dec. 26, 2018**

(51) **LOC (12) Cl.** ..... **25-01**

(52) **U.S. Cl.**  
USPC ..... **D25/152**

(58) **Field of Classification Search**  
USPC ..... D25/138, 152  
CPC ..... E04F 15/02452; E04F 15/0247; E04F  
15/02405; E04F 15/024; E04F 15/02458  
See application file for complete search history.

(56) **References Cited**

**U.S. PATENT DOCUMENTS**

4,996,818	A *	3/1991	Bettinger	.....	E04F 15/02423
					52/126.6
D622,421	S *	8/2010	Akkala	.....	D25/152
7,779,587	B1 *	8/2010	Meyer	.....	E04B 5/43
					292/195
D668,359	S *	10/2012	Curtin	.....	D25/152
8,590,219	B2 *	11/2013	Meyer	.....	E04F 15/02458
					52/126.5
D702,370	S *	4/2014	Kim	.....	D25/152
D740,450	S *	10/2015	Frith	.....	D25/152

\* cited by examiner

*Primary Examiner* — Doris Clark

(74) *Attorney, Agent, or Firm* — William W. Cochran;  
Cochran Freund & Young LLC

(57) **CLAIM**

The ornamental design for a raised access floor panel with embedded sensors, as shown and described.

**DESCRIPTION**

FIG. 1 is a top isometric view of a raised access floor panel with embedded sensors.

FIG. 2 is a bottom isometric view of the raised access floor panel with embedded sensors.

FIG. 3 is a top view of the raised access floor panel with embedded sensors.

FIG. 4 is a bottom view of the raised access floor panel with embedded sensors.

FIG. 5 is a right side view of the raised access floor panel with embedded sensors.

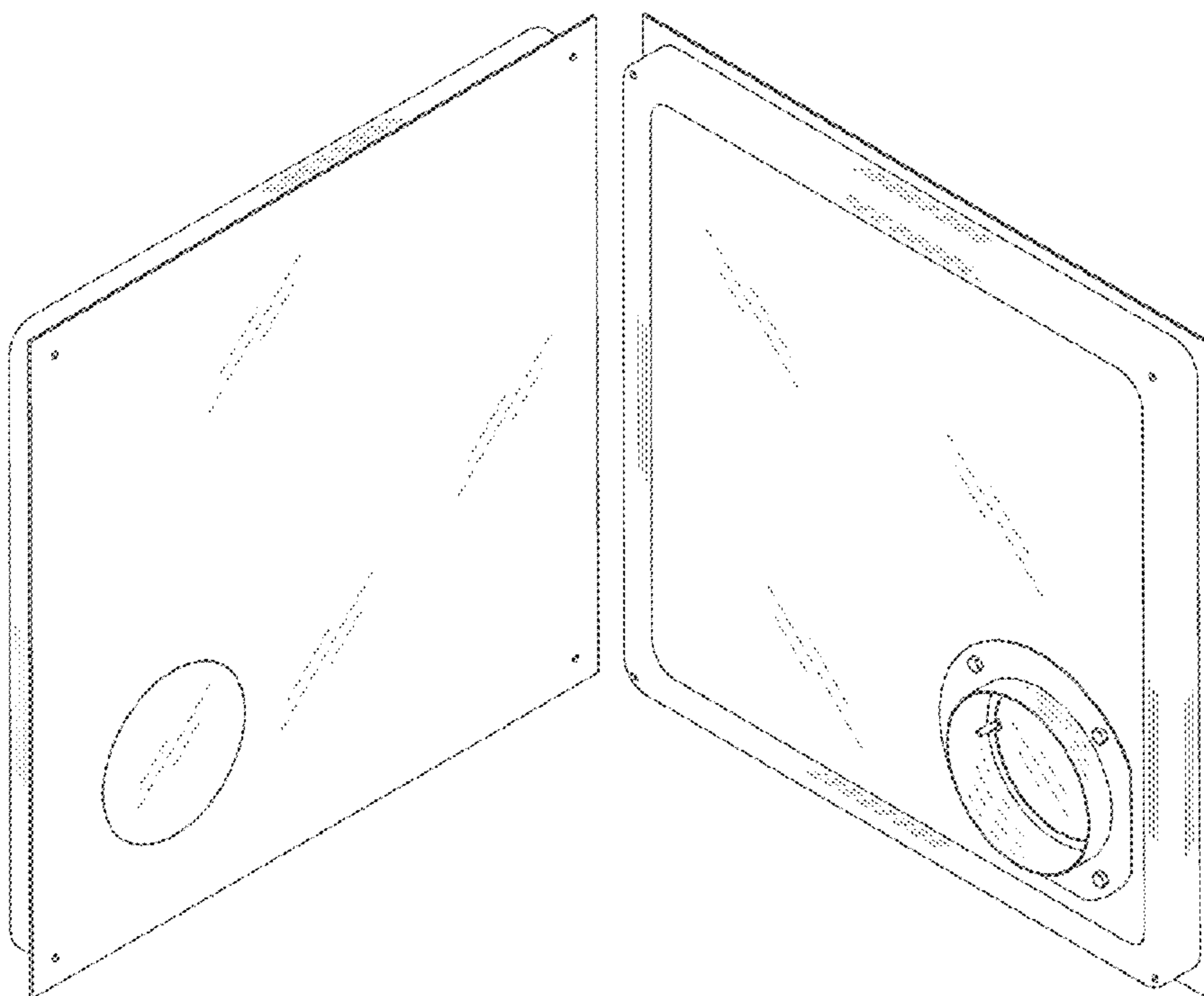
FIG. 6 is a left side view of the raised access floor panel with embedded sensors.

FIG. 7 is a front view of the raised access floor panel with embedded sensors; and,

FIG. 8 is a rear view of the raised access floor panel with embedded sensors.

Any broken line portions of the disclosure are for illustrative purposes only and form no part of the claimed design.

**1 Claim, 8 Drawing Sheets**



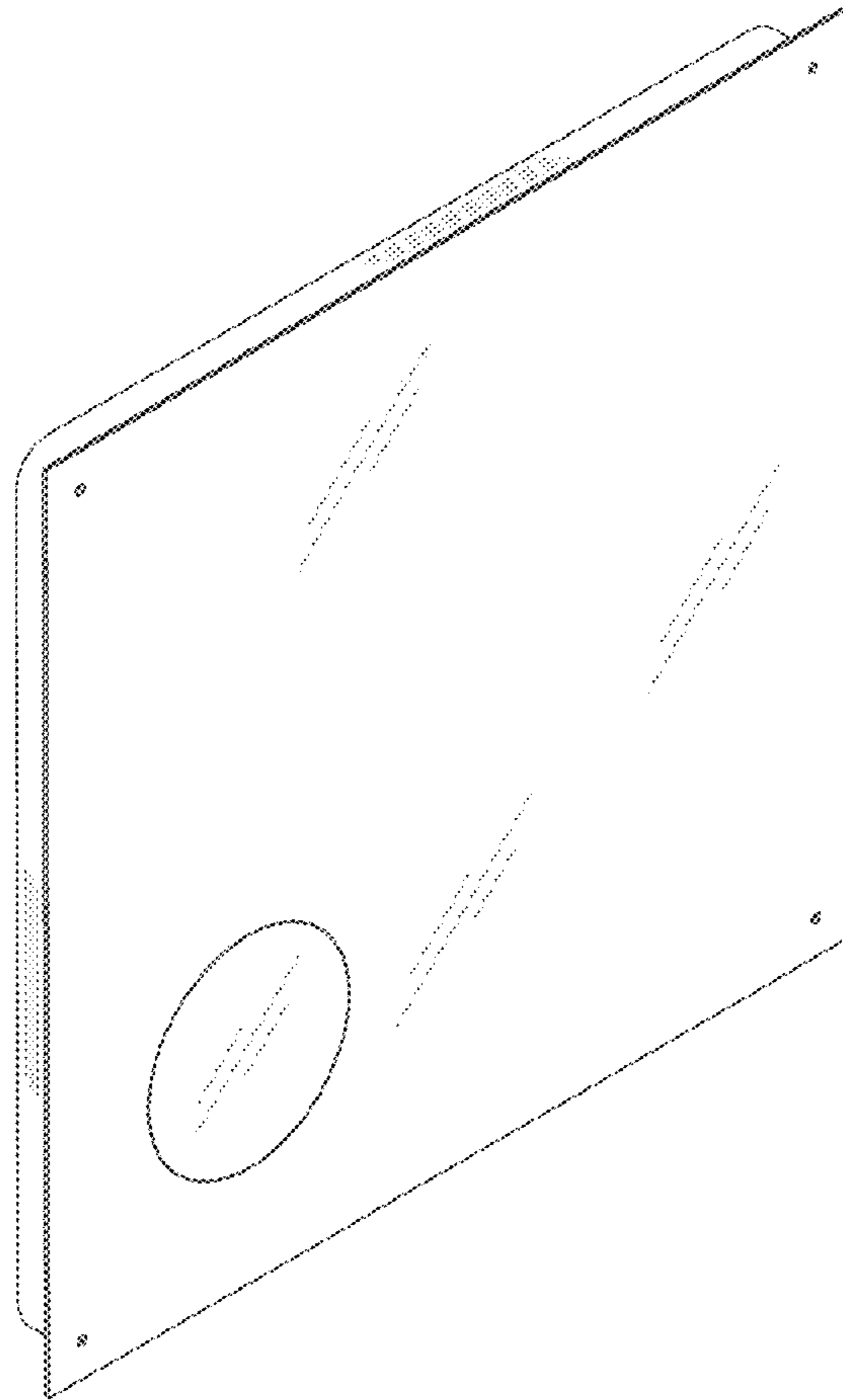


Fig. 1

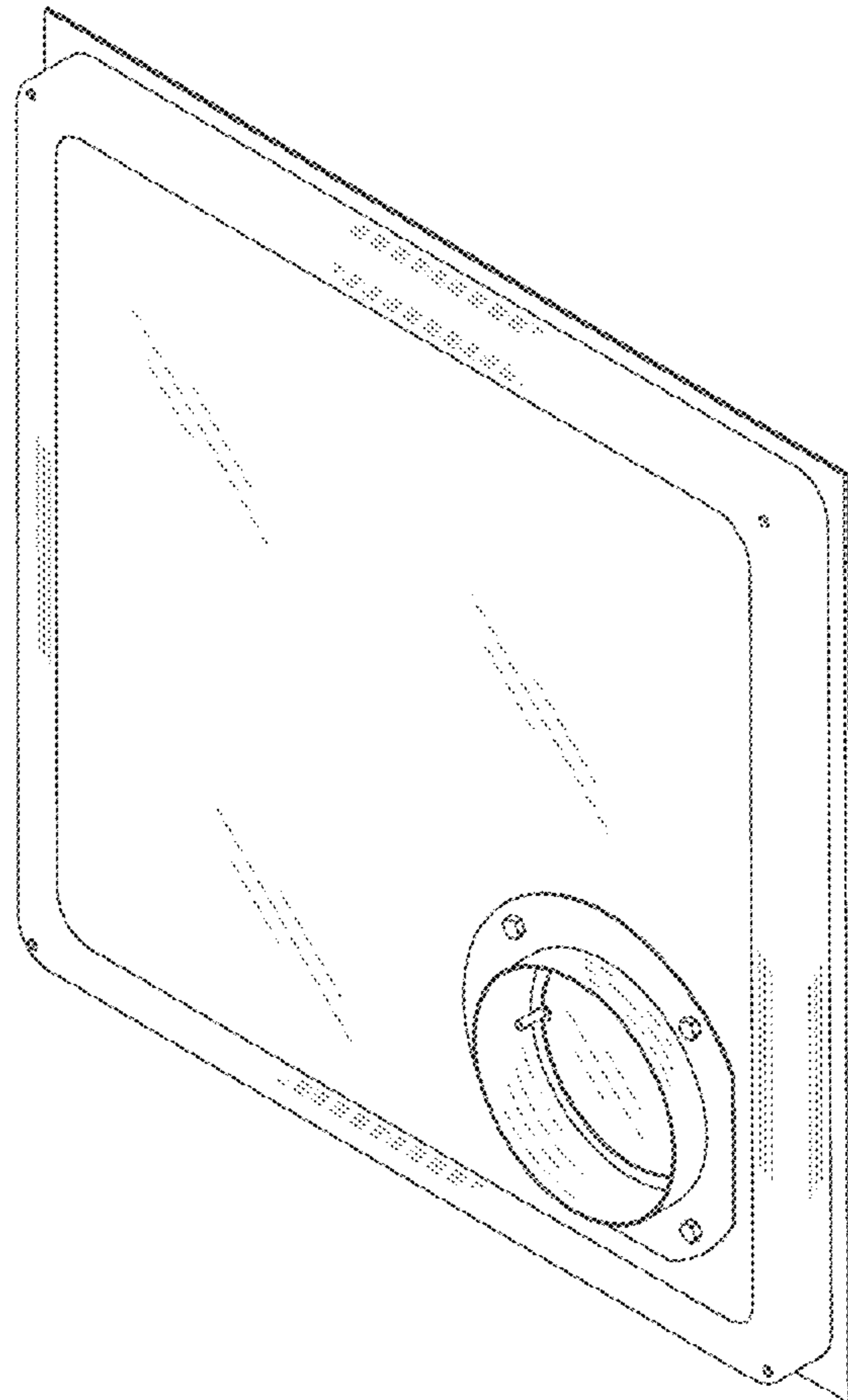


Fig. 2

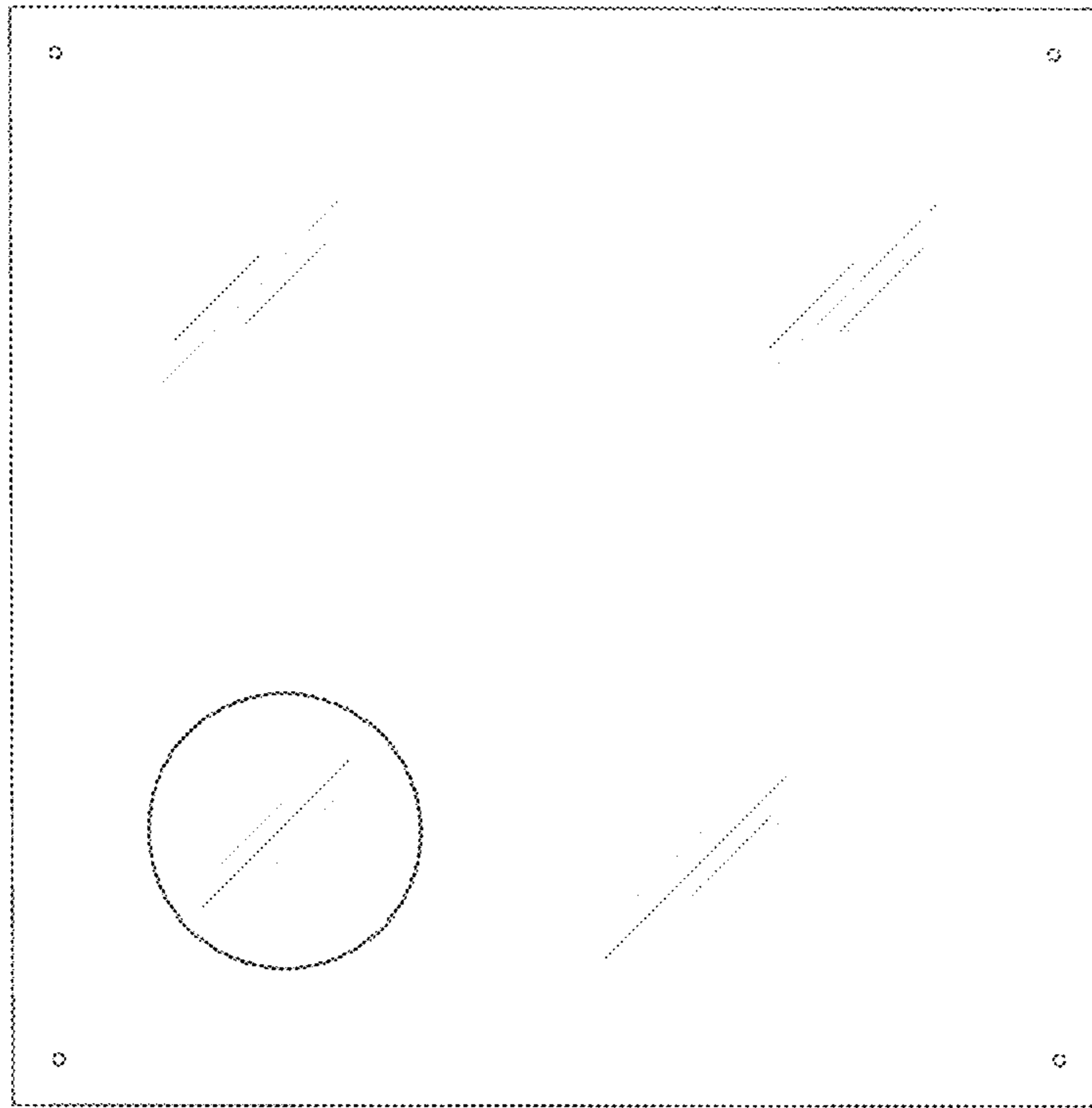


Fig. 3

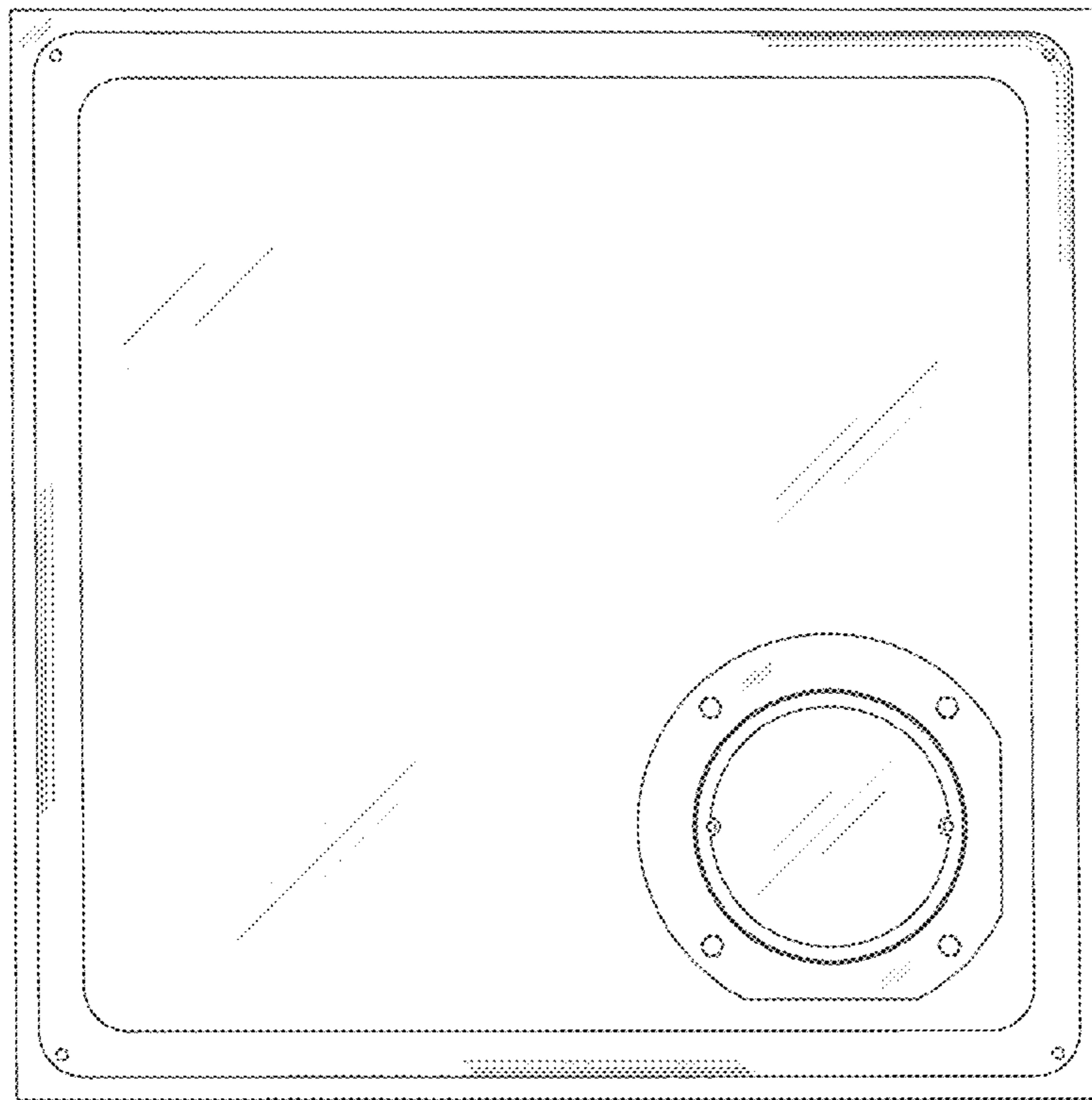


Fig. 4

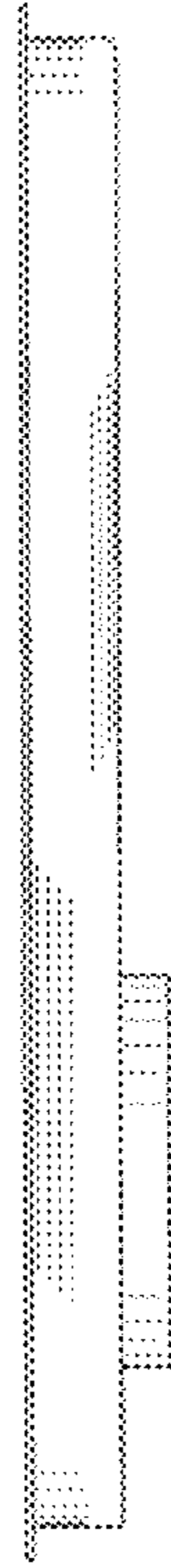


Fig. 5

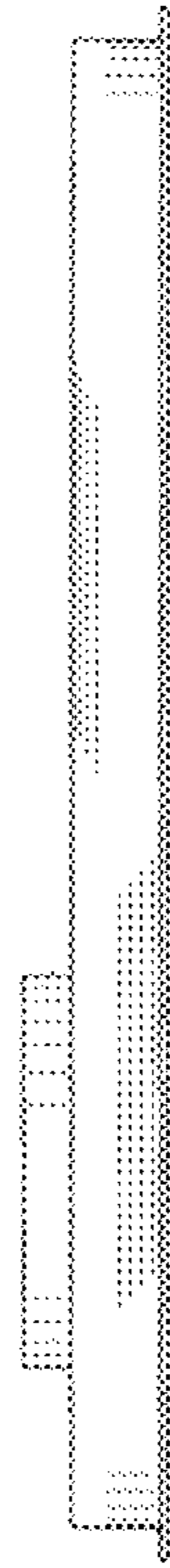


Fig. 6

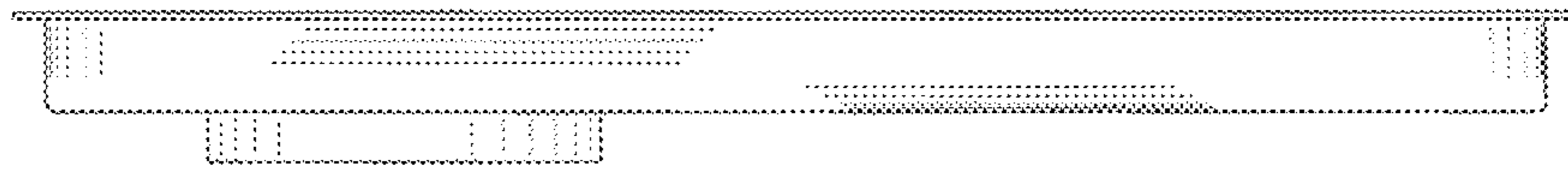


Fig. 7



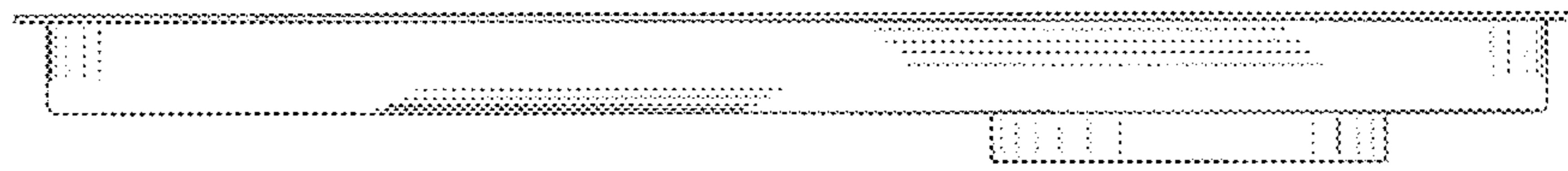


Fig. 8