

US00D906548S

(12) **United States Design Patent** (10) **Patent No.:** **US D906,548 S**  
**Jackson et al.** (45) **Date of Patent:** **\*\* Dec. 29, 2020**

(54) **CHANNEL TRIM**

(71) Applicant: **R. H. Tamlyn & Sons, LP**, Stafford, TX (US)  
 (72) Inventors: **Terrance Jackson**, Missouri City, TX (US); **Wayne Harold Braun**, Houston, TX (US)  
 (73) Assignee: **R. H. Tamlyn & Sons, LP**, Stafford, TX (US)

(\*\*) Term: **15 Years**

(21) Appl. No.: **29/642,795**  
 (22) Filed: **Apr. 2, 2018**

**Related U.S. Application Data**

(63) Continuation of application No. 29/583,885, filed on Nov. 9, 2016, now Pat. No. Des. 822,852.  
 (51) **LOC (12) Cl.** ..... **25-01**  
 (52) **U.S. Cl.**  
 USPC ..... **D25/119**  
 (58) **Field of Classification Search**  
 USPC ..... D25/48.2, 48.4, 55, 102, 119–123, 138, D25/142, 164; D8/349, 354  
 CPC . E04F 19/02; E04F 19/04; E04F 19/06; E04F 19/061; E04F 19/062; E04F 19/063; E04F 19/065; E04F 19/066; E04F 19/067; E04F 19/068; E04F 13/00; E04F 13/07; E04F 13/072; E04F 13/08; E04F 13/0801; E04F 13/12; E04F 13/21; E04F 13/26; E04F 13/28; E04B 2/00; E04B 2/58; E04B 2/60; E04B 2/62; E04B 2/72; E04B 2002/725; E04B 2002/726; E04B 2/82; E04B 2/821; E04B 2/825; E04B 2/828

See application file for complete search history.

(56) **References Cited**

U.S. PATENT DOCUMENTS

1,421,950 A \* 7/1922 Kane ..... E04B 2/58  
 52/464  
 D194,585 S 2/1963 Waring  
 D194,586 S 2/1963 Waring  
 3,078,971 A 2/1963 Wallerstein, Jr.  
 3,222,839 A \* 12/1965 Philpot ..... E04B 2/58  
 52/768  
 3,228,160 A 1/1966 Glennon  
 (Continued)

OTHER PUBLICATIONS

“U.S. Appl. No. 29/583,885, Ex Parte Quayle Action dated Dec. 1, 2017”, 7 pgs.

(Continued)

*Primary Examiner* — Llorelys Martinez

(74) *Attorney, Agent, or Firm* — Schwegman Lundberg & Woessner, P.A.

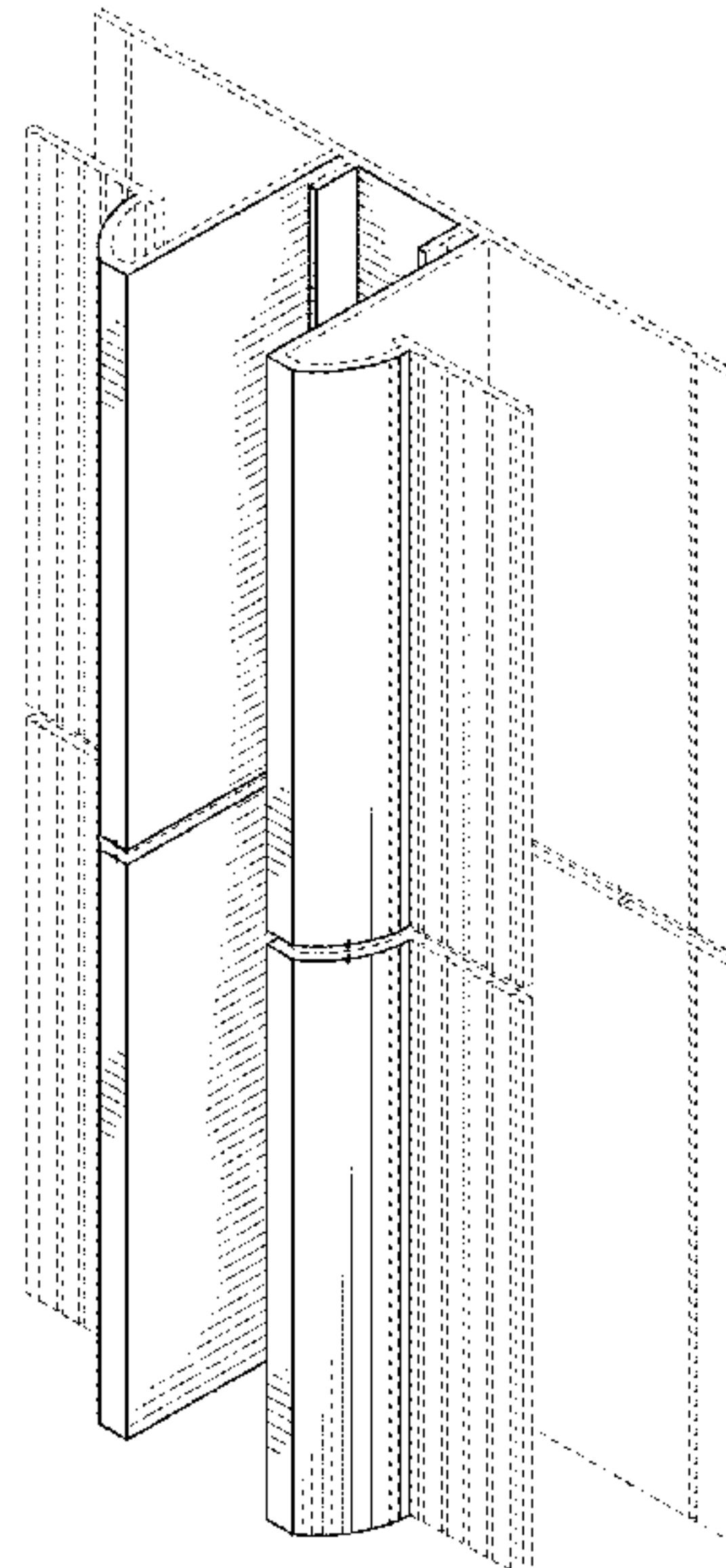
(57) **CLAIM**

The ornamental design for a channel trim, as shown and described.

**DESCRIPTION**

FIG. 1 is a perspective view of the channel trim, showing the new design.  
 FIG. 2 is a front view of the channel trim of FIG. 1.  
 FIG. 3 is a back view of the channel trim of FIG. 1.  
 FIG. 4 is a first side view of the channel trim of FIG. 1.  
 FIG. 5 is a second side view of the channel trim of FIG. 1.  
 FIG. 6 is a top view of the channel trim of FIG. 1; and,  
 FIG. 7 is a bottom view of the channel trim of FIG. 1.  
 The channel trim is shown with symbolic breaks in its length. The appearance of any portion of the channel trim between the break lines forms no part of the claimed design. The broken lines in the drawings depict portions of the channel trim that form no part of the claimed design.

**1 Claim, 5 Drawing Sheets**



(56)

**References Cited**

U.S. PATENT DOCUMENTS

D217,713 S	6/1970	Miller et al.	
3,550,340 A *	12/1970	Klein .....	E04F 19/06
			52/312
3,696,569 A *	10/1972	Didry .....	E04B 2/745
			52/126.4
3,877,193 A *	4/1975	Hall .....	E04B 2/60
			52/665
4,058,951 A *	11/1977	Dean .....	E04B 2/58
			52/656.1
D270,479 S	9/1983	Braswell	
5,090,174 A	2/1992	Fragale	
D360,038 S	7/1995	Bancroft	
D363,132 S	10/1995	Simon	
5,537,791 A	7/1996	Champagne	
5,711,117 A	1/1998	Zaccagni et al.	
5,829,206 A	11/1998	Bachman	
D427,327 S	6/2000	Bevan et al.	
D427,694 S	7/2000	Bevan	
D452,335 S	12/2001	Brown	
D452,744 S	1/2002	Brown	
D460,197 S	7/2002	Stringer	
D486,247 S	2/2004	Eichner et al.	
D486,921 S	2/2004	Zyburt	
7,200,970 B2	4/2007	Koenig, Jr. et al.	
D573,267 S	7/2008	Brinton et al.	
D573,268 S	7/2008	Lundsgaard et al.	
D616,566 S	5/2010	Desrosiers	
D620,622 S	7/2010	Steel et al.	
D624,212 S	9/2010	Sawyer	
D625,588 S *	10/2010	Norris .....	D8/382
8,104,234 B1	1/2012	Sawyer	
D653,771 S	2/2012	Olmsted et al.	
D656,603 S	3/2012	Egan et al.	
D662,405 S	6/2012	Zhang et al.	
D679,419 S	4/2013	Gori et al.	
D679,420 S	4/2013	Nolan et al.	
D689,199 S *	9/2013	Elizarraras .....	D25/55
D745,189 S	12/2015	Stoesser et al.	
D774,874 S	12/2016	Wentzel et al.	
D797,956 S	9/2017	Shaw	

D800,923 S *	10/2017	Gonzales .....	D25/121
D815,757 S *	4/2018	Braun .....	E04F 19/064
			D25/119
D817,520 S *	5/2018	Gonzales .....	D25/126
D821,610 S *	6/2018	Jackson .....	D25/119
D822,852 S *	7/2018	Jackson .....	D25/119
D828,582 S *	9/2018	Jackson .....	D25/119
D834,727 S *	11/2018	Jackson .....	D25/119
D834,728 S *	11/2018	Jackson .....	D25/119
D835,299 S *	12/2018	Jackson .....	D25/119
D853,587 S *	7/2019	Jackson .....	D25/119
D853,588 S *	7/2019	Jackson .....	D25/119
D853,589 S *	7/2019	Jackson .....	D25/119
2013/0118106 A1 *	5/2013	Clark .....	E04B 1/78
			52/404.4
2013/0186027 A1 *	7/2013	Sharpe .....	E04F 19/061
			52/506.05
2013/0205696 A1	8/2013	Little et al.	
2014/0208673 A1 *	7/2014	Huang .....	E04B 2/7425
			52/234
2017/0051505 A1 *	2/2017	Newcomer .....	E04B 2/82
2017/0306618 A1	10/2017	Braun	

OTHER PUBLICATIONS

“U.S. Appl. No. 29/583,885, Notice of Allowance dated Mar. 12, 2018”, 5 pgs.

“U.S. Appl. No. 29/583,885, filed Oct. 31, 2017 to Restriction Requirement dated Aug. 31, 2017”, 3 pgs.

“U.S. Appl. No. 29/583,885, Response to Ex Parte Quayle Action filed Feb. 1, 2018”, 5 pgs.

“U.S. Appl. No. 29/583,885, Restriction Requirement dated Aug. 31, 2017”, 5 pgs.

“Canadian Application Serial No. 174,723, Office Action dated Nov. 9, 2017”, 3 pgs.

“Canadian Application Serial No. 174,723, Response filed Feb. 9, 2018 to Office Action dated Nov. 9, 2017”, 10 pgs.

“U.S. Appl. No. 29/583,885, Corrected Notice of Allowance dated Apr. 9, 2018”.

“Canadian Application Serial No. 174,723, Office Action dated Mar. 9, 2018”, 1 pg.

\* cited by examiner

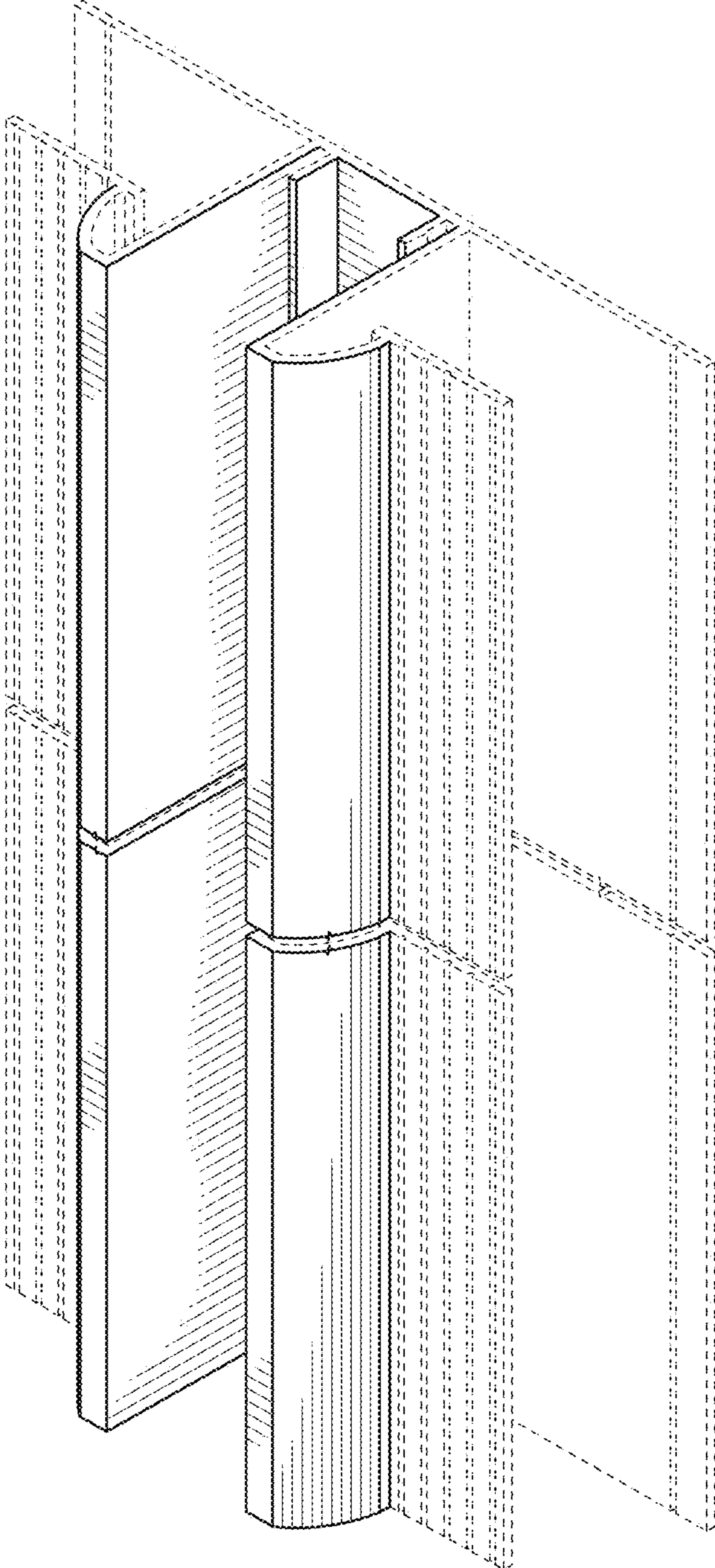


FIG. 1



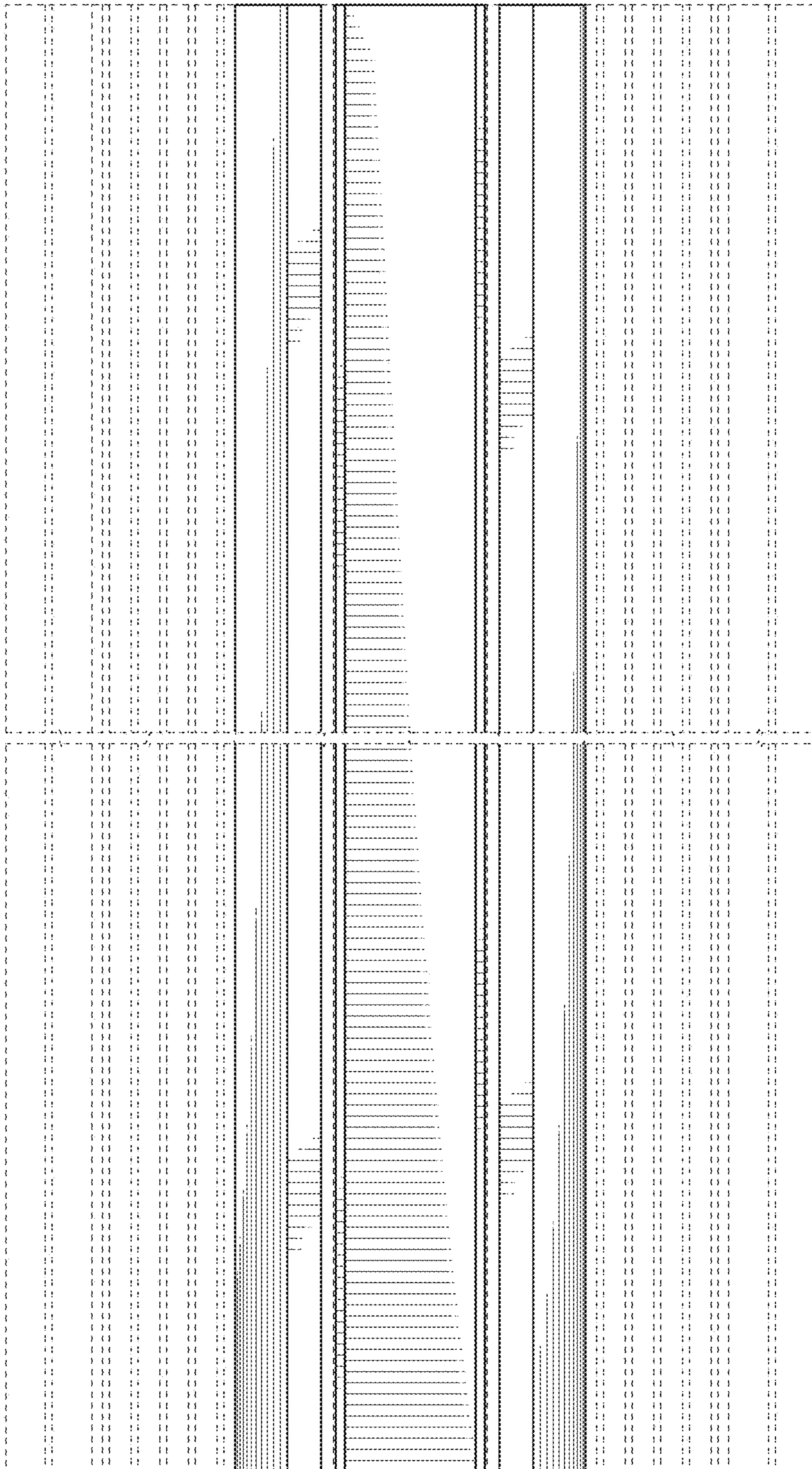


FIG. 2

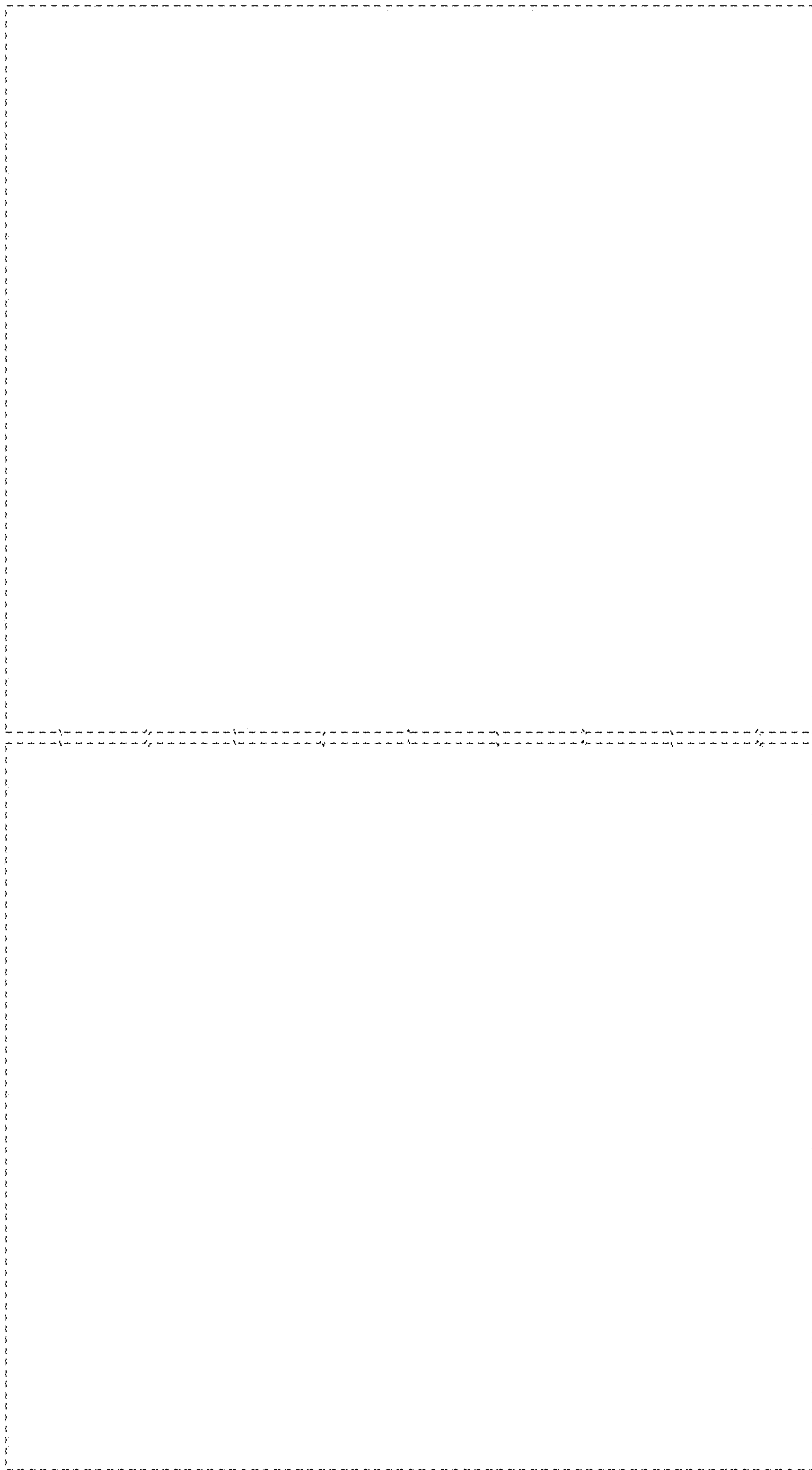


FIG. 3

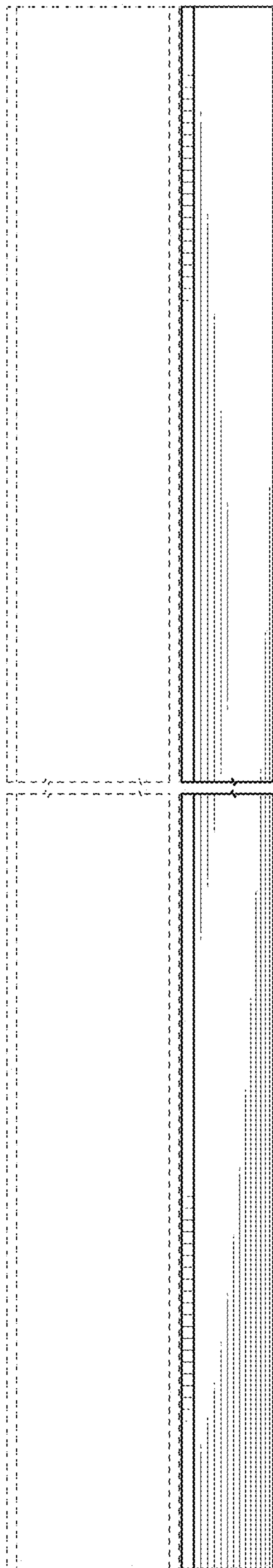


FIG. 4

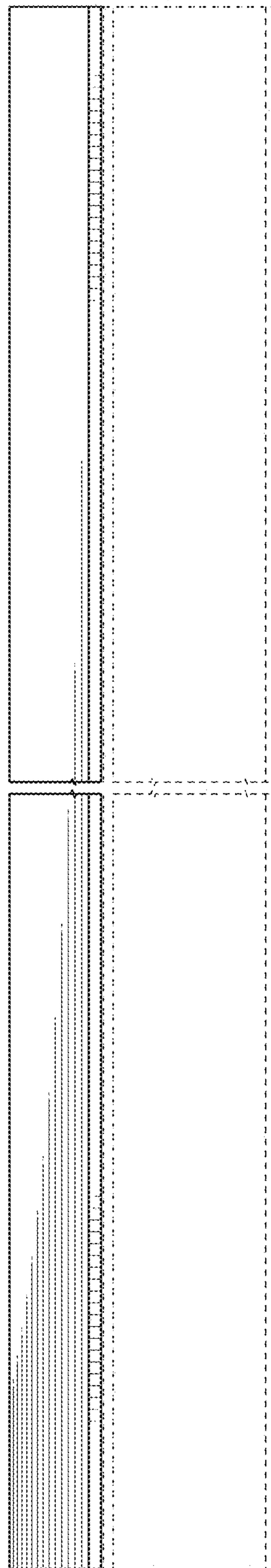


FIG. 5

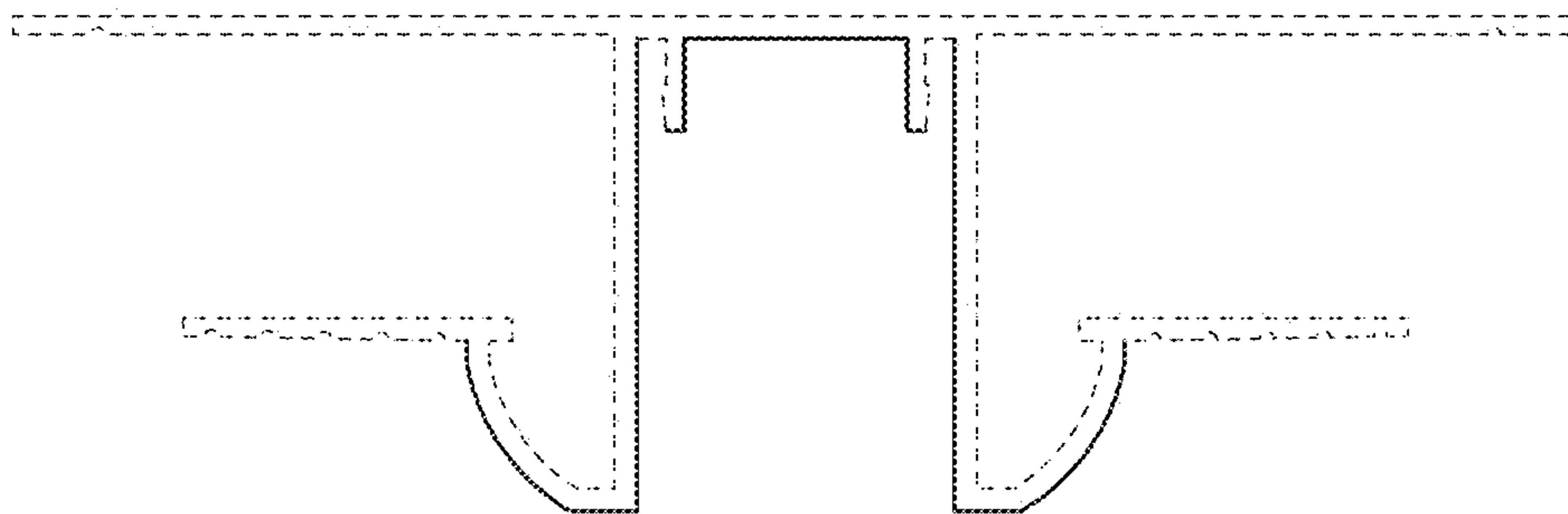


FIG. 6

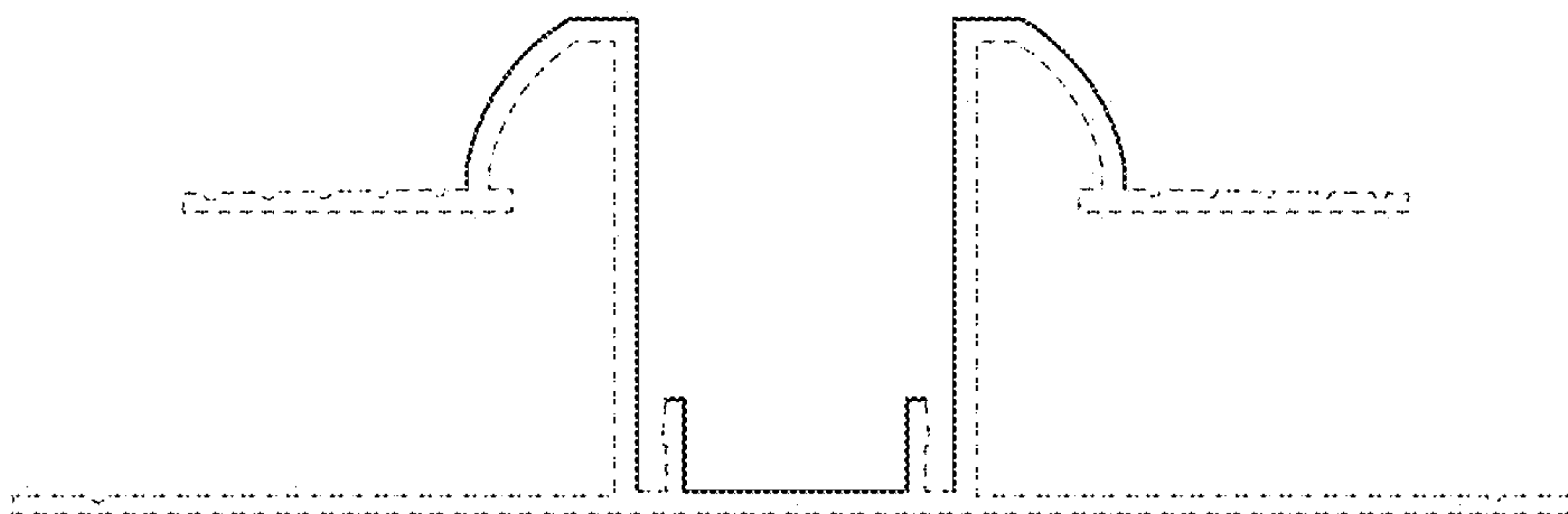


FIG. 7