



US00D906547S

(12) **United States Design Patent**
Loyer

(10) **Patent No.:** **US D906,547 S**

(45) **Date of Patent:** **** Dec. 29, 2020**

(54) **TOOL TRAY FOR USE ON A STEP LADDER**

(71) Applicant: **Jocelyn Loyer**, St-Felix-de-Valois (CA)

(72) Inventor: **Jocelyn Loyer**, St-Felix-de-Valois (CA)

(**) Term: **15 Years**

(21) Appl. No.: **29/645,733**

(22) Filed: **Apr. 28, 2018**

(51) **LOC (12) Cl.** **25-04**

(52) **U.S. Cl.**
USPC **D25/68**

(58) **Field of Classification Search**
USPC D25/68; 182/17, 230; 220/570, 751;
D32/53.1

CPC ... E06C 7/14; E06C 7/143; E06C 7/16; E06C
7/182; E06C 7/188; B25H 3/06

See application file for complete search history.

(56) **References Cited**

U.S. PATENT DOCUMENTS

2,911,133	A	11/1959	Ruggieri
3,309,053	A	3/1967	Baker
4,310,134	A	1/1982	Schopp et al.
4,653,713	A	3/1987	Hamilton
4,949,925	A	8/1990	Gorecki
5,123,620	A	6/1992	Bourne
5,727,649	A	3/1998	Buckley
6,443,260	B1	9/2002	Katz et al.

D484,251	S	*	12/2003	Pruett	D25/68
D631,561	S	*	1/2011	Luciano	D25/68
D700,361	S	*	2/2014	Green	D25/68
9,051,959	B2	*	6/2015	Davis	F16B 45/00
9,056,756	B1	*	6/2015	De Marco	A47G 25/0614
D735,354	S	*	7/2015	Fadear	D25/68
D753,319	S	*	4/2016	Constable	D25/68
2005/0258002	A1		11/2005	Sabo		
2006/0137937	A1		6/2006	Pratt		
2011/0168493	A1		7/2011	Clark		

* cited by examiner

Primary Examiner — Gino Colan

(57) **CLAIM**

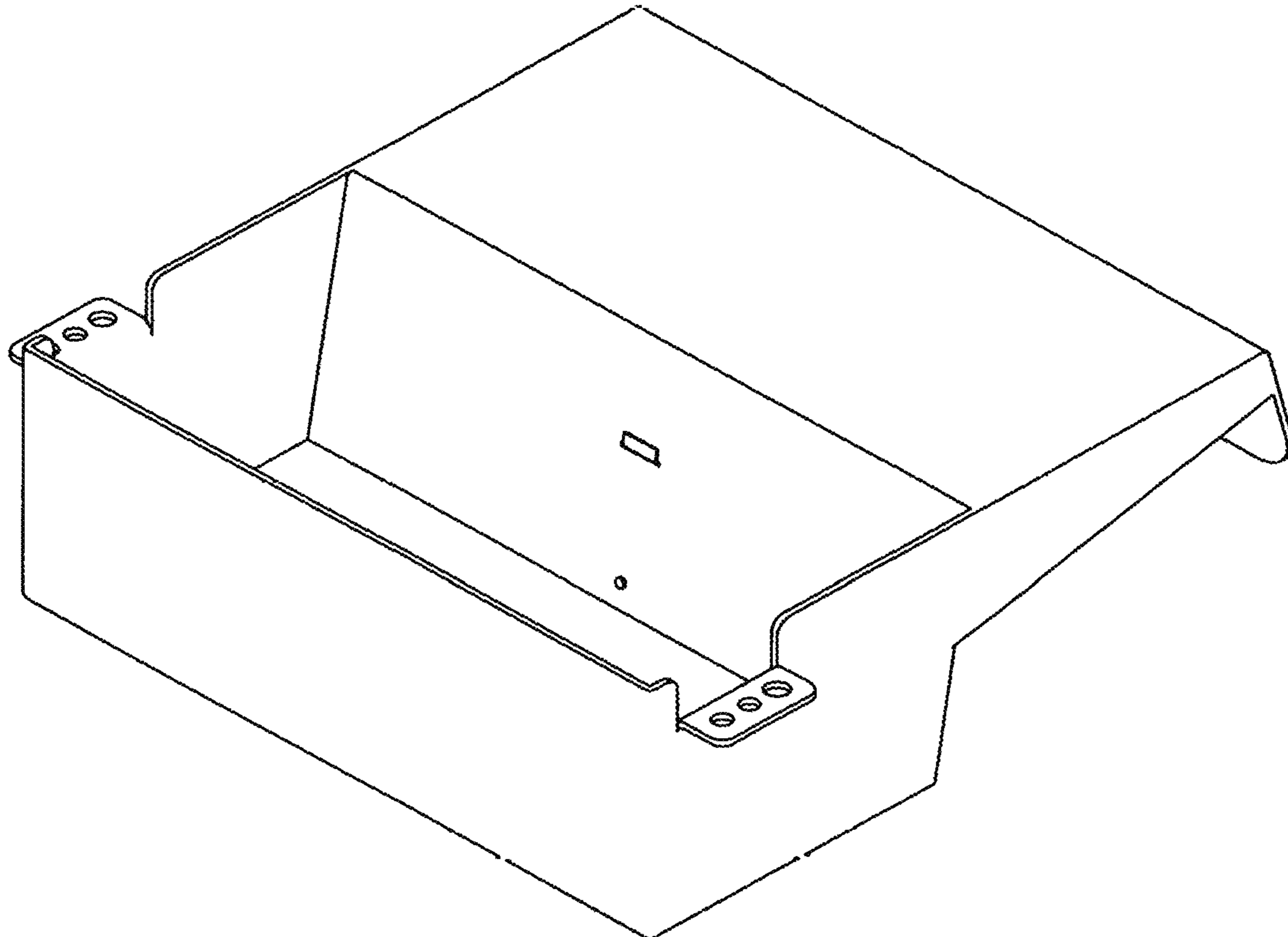
The ornamental design for a tool tray for use on a step ladder, as shown and described.

DESCRIPTION

FIG. 1 is an isometric view representing a tool tray for use on a step ladder;
FIG. 2 is a top view thereof;
FIG. 3 is a bottom view thereof;
FIG. 4 is a front view thereof;
FIG. 5 is a rear view thereof; and,
FIG. 6 is a side view thereof, the opposite side being a mirror image.

The broken lines form no part of the claimed invention.

1 Claim, 6 Drawing Sheets



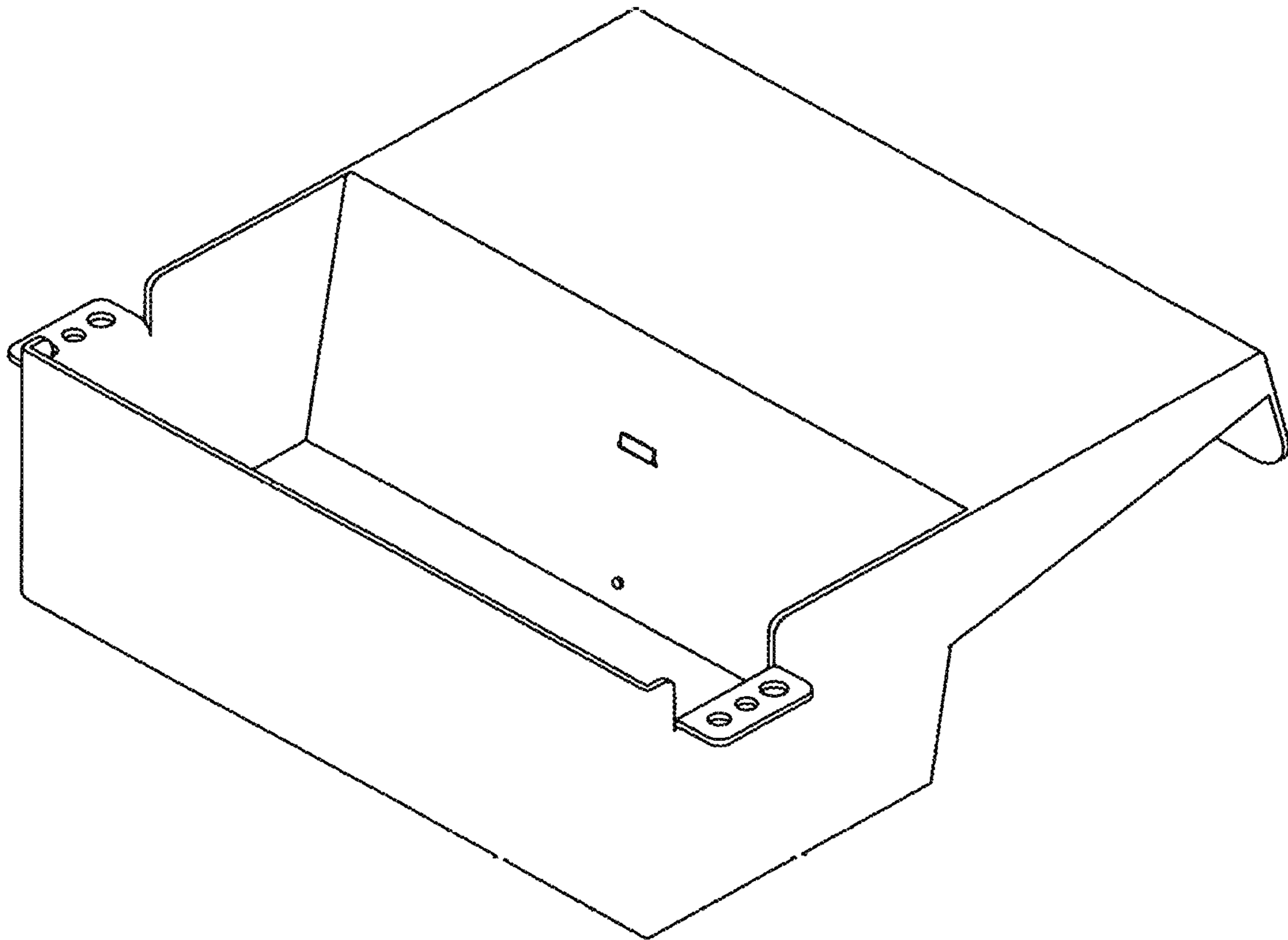


FIG. 1

FIG. 2

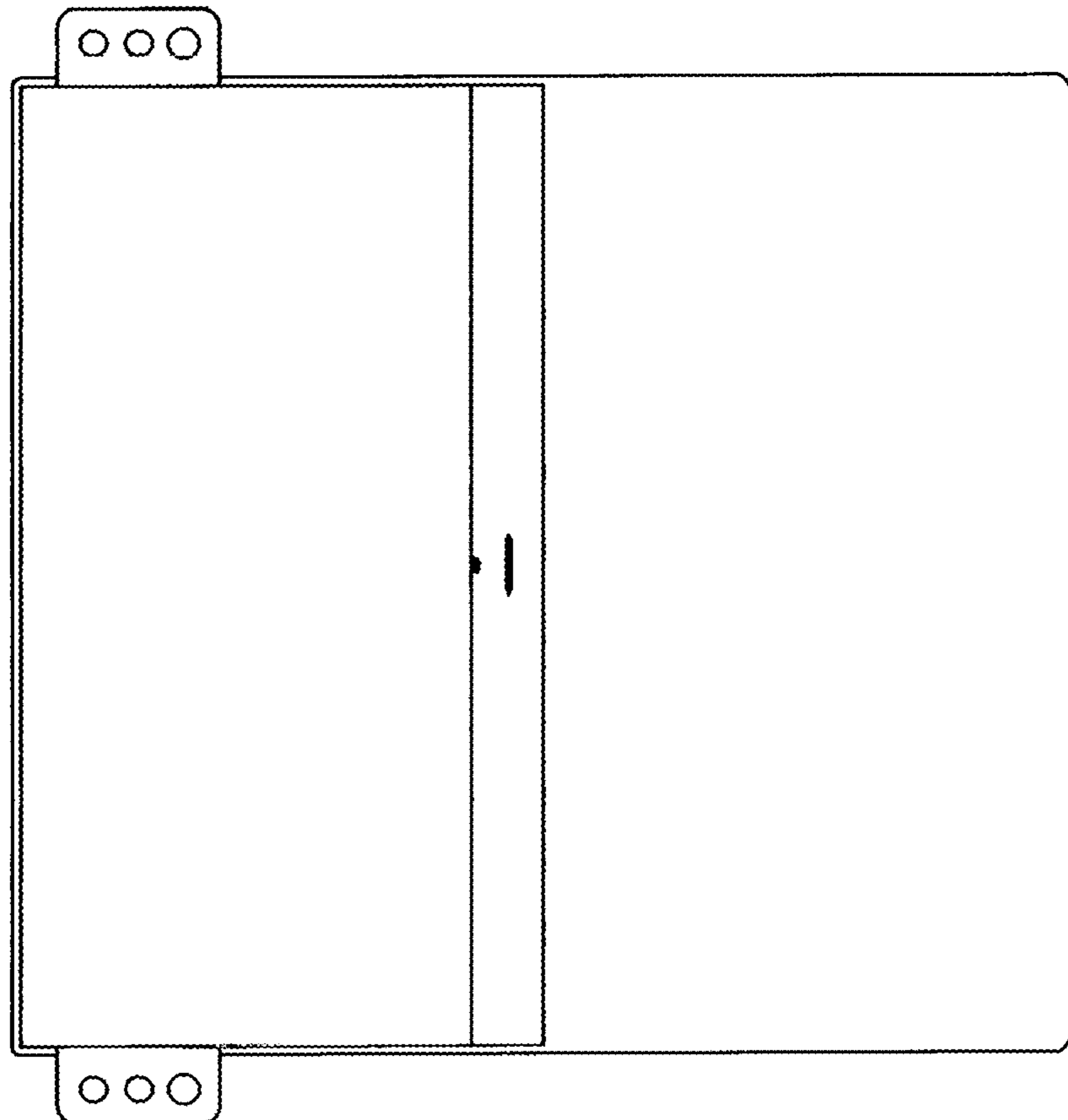


FIG. 3

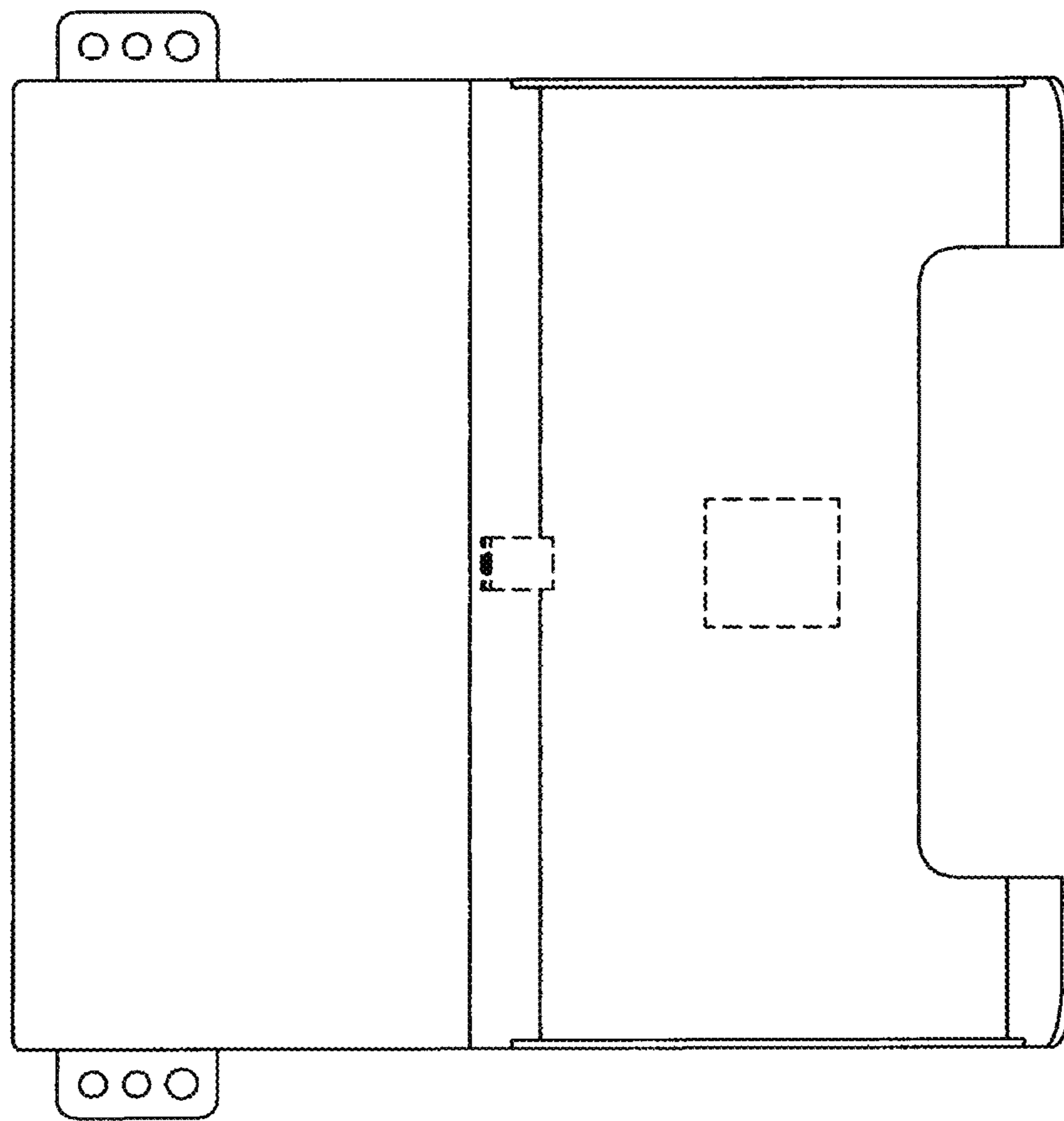


FIG. 4

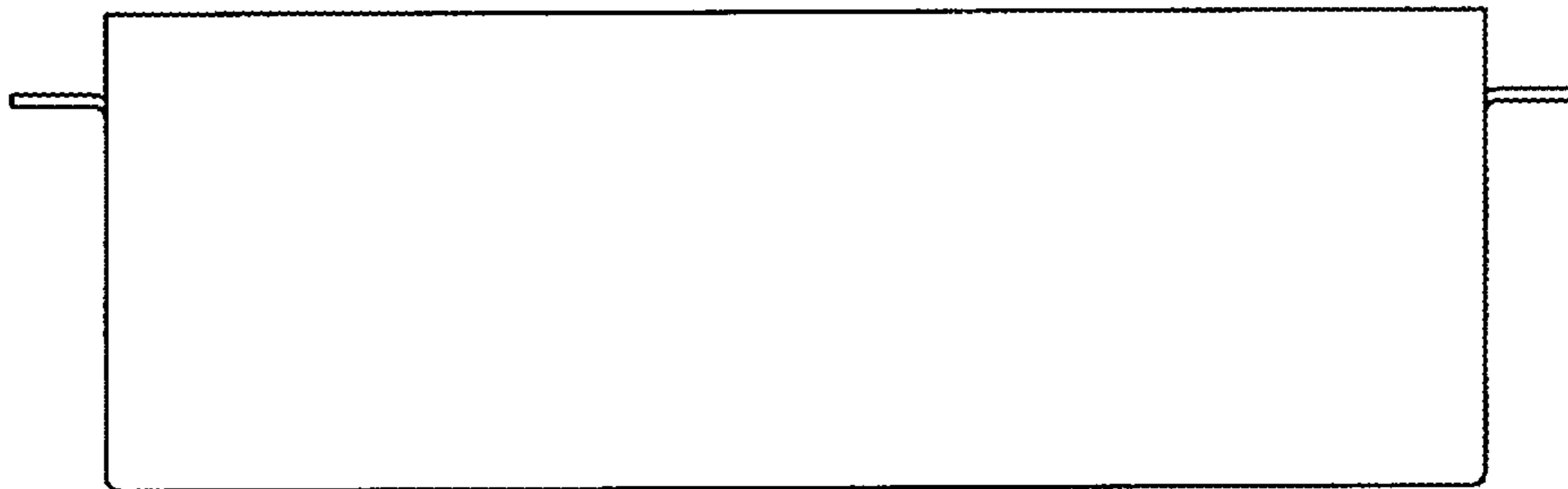


FIG. 5

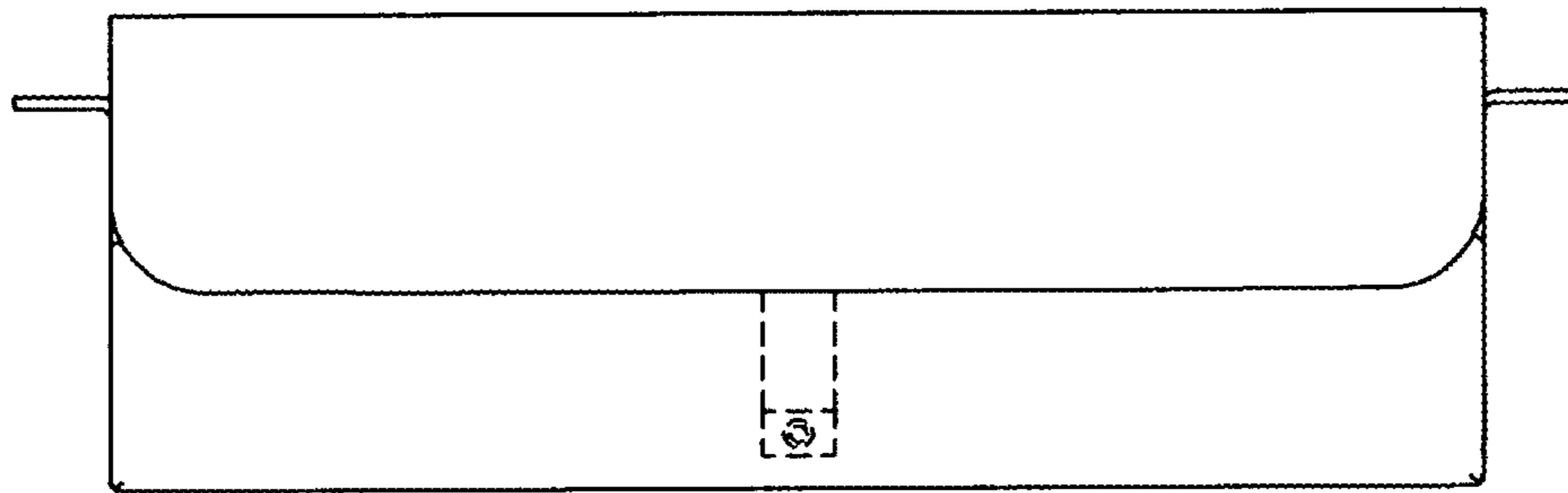


FIG. 6

