



US00D906546S

(12) **United States Design Patent** (10) **Patent No.:** **US D906,546 S**
Badillo (45) **Date of Patent:** **** Dec. 29, 2020**

- (54) **VEHICLE LADDER**
- (71) Applicant: **Intelligent Designs 2000 Corp.**,
Aurora, CO (US)
- (72) Inventor: **Paul Badillo**, Littleton, CO (US)
- (73) Assignee: **INTELLIGENT DESIGNS 2000**
CORP., Aurora, CO (US)
- (**) Term: **15 Years**
- (21) Appl. No.: **29/731,987**
- (22) Filed: **Apr. 20, 2020**

Related U.S. Application Data

- (63) Continuation of application No. 29/589,364, filed on Dec. 30, 2016, now Pat. No. Des. 882,119.
- (51) **LOC (12) Cl.** **25-04**
- (52) **U.S. Cl.**
USPC **D25/64**
- (58) **Field of Classification Search**
USPC D12/203, 400, 408; D25/62, 63, 64, 65,
D25/66, 67, 68, 69
CPC E06C 1/36; E06C 5/04; E06C 5/24; B60R
3/005; B63B 27/14
See application file for complete search history.

(56) **References Cited**

U.S. PATENT DOCUMENTS

2,227,873	A	1/1941	Bartsch
2,419,065	A	4/1947	Fowler
2,485,413	A	10/1949	Ross
D173,148	S	10/1954	Emmite
D176,238	S	11/1955	Wallace et al.
2,947,555	A	8/1960	Olsen
3,028,929	A	4/1962	Chubbs
3,058,607	A	10/1962	Kiley
3,387,754	A	6/1968	Sinkey
3,498,410	A	3/1970	Storch

3,603,431	A	9/1971	Nameche et al.
D222,526	S	11/1971	Meier
D241,614	S	9/1976	Wallace
4,151,895	A	5/1979	Rasada, Jr. et al.
4,239,139	A	12/1980	Bott
4,249,683	A	2/1981	Park
4,312,620	A	1/1982	Muschalek, Jr.

(Continued)

OTHER PUBLICATIONS

“FJ Ladder,” BajaRack Adventure Equipment, 2 pages, first sale estimated in 2011 [retrieved from: <http://www.bajarack.com/ladder>].

(Continued)

Primary Examiner — Susan E Krakower

Assistant Examiner — Jerry Shiuan-Hua Hsu

(74) *Attorney, Agent, or Firm* — Sheridan Ross P.C.

(57) **CLAIM**

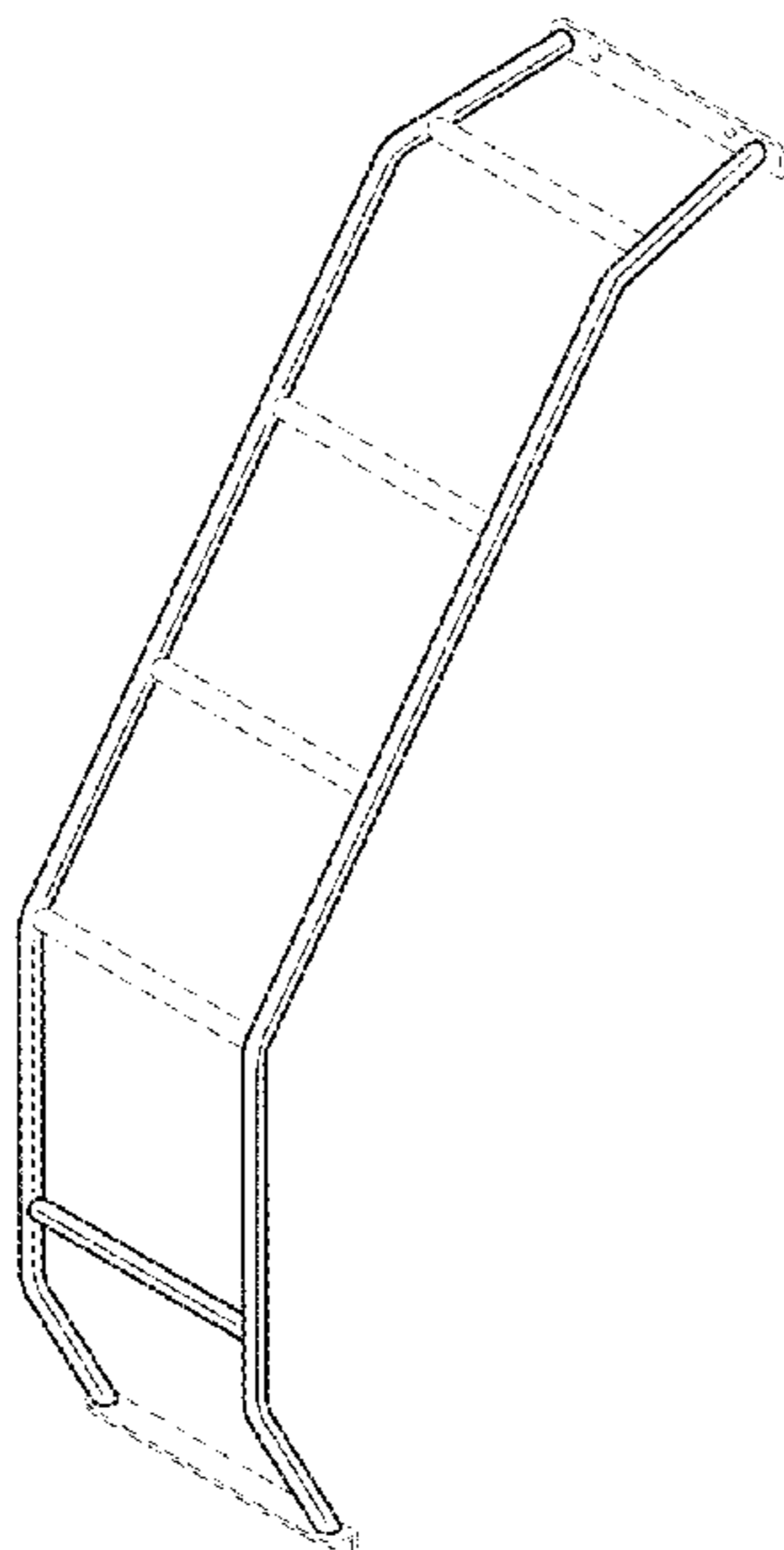
The ornamental design for a vehicle ladder, as shown and described.

DESCRIPTION

FIG. 1 is a front perspective view of the vehicle ladder, showing my new design;
FIG. 2 is a front elevation view thereof;
FIG. 3 is a rear elevation view thereof;
FIG. 4 is a right elevation view thereof;
FIG. 5 is a left elevation view thereof;
FIG. 6 is a top plan view thereof;
FIG. 7 is a bottom plan view thereof; and,
FIG. 8 is a front elevation view thereof shown in a condition of use.

The broken lines on the ladder depict portions of the vehicle ladder that form no part of the claimed design. The broken lines in FIG. 8 showing a vehicle, illustrate environmental structure that forms no part of the claimed design.

1 Claim, 7 Drawing Sheets



(56)

References Cited

U.S. PATENT DOCUMENTS

4,320,816 A 3/1982 Callahan
 4,431,082 A 2/1984 Bott
 4,716,988 A 1/1988 Graffy
 4,719,989 A 1/1988 Ritten
 4,825,975 A 5/1989 Symes
 4,831,808 A 5/1989 Wynar
 D309,560 S 7/1990 Warlick
 4,947,961 A 8/1990 Dudley
 5,039,119 A 8/1991 Baughman
 5,131,780 A 7/1992 Love
 5,228,739 A 7/1993 Love
 D346,355 S 4/1994 Weger, Jr. et al.
 D346,994 S 5/1994 Weger, Jr. et al.
 D359,134 S 6/1995 Toews
 D392,178 S 3/1998 Hirano
 5,765,902 A 6/1998 Love
 D410,374 S 6/1999 Meurer
 6,003,633 A 12/1999 Rolson
 D423,328 S 4/2000 Burrows
 6,116,378 A 9/2000 Barrow
 D442,289 S 5/2001 Ziaylek et al.
 6,231,093 B1 5/2001 Storer
 6,270,301 B1 8/2001 Dunlop
 6,378,654 B1 4/2002 Ziaylek, Jr. et al.
 6,409,275 B1 6/2002 Gerding
 6,565,048 B1 5/2003 Meyer
 D479,884 S 9/2003 Berryman
 D490,163 S 5/2004 Thurston
 6,739,349 B2 5/2004 Kastenschmid et al.
 6,948,588 B1 9/2005 Chustak
 D512,783 S * 12/2005 Badillo D25/64
 7,025,712 B2 4/2006 Parrilla
 7,066,299 B1 6/2006 Fleming
 D538,734 S 3/2007 Reimitz
 D547,641 S 7/2007 Jueneman
 7,244,090 B2 7/2007 Wooten et al.
 7,249,927 B2 7/2007 Wooten et al.
 D549,838 S * 8/2007 Badillo D25/64
 D601,719 S 10/2009 Gibson
 7,789,359 B2 9/2010 Chopp, Jr. et al.
 7,819,225 B2 10/2010 Smith
 7,874,966 B2 1/2011 Parrilla
 D657,054 S 4/2012 Bacon

8,157,229 B2 4/2012 Palermo
 8,261,880 B1 9/2012 Hop
 8,496,146 B2 7/2013 Badillo
 8,585,107 B2 11/2013 Kekich, Jr. et al.
 8,602,162 B2 12/2013 Dondurur et al.
 D710,030 S 7/2014 Fitzgerald et al.
 9,345,923 B2 5/2016 Haggard et al.
 D759,841 S * 6/2016 Badillo D25/64
 D770,962 S 11/2016 Badillo
 9,527,712 B1 12/2016 Pigg et al.
 D812,777 S * 3/2018 Ma D25/64
 9,945,179 B1 * 4/2018 Joldersma E06C 5/24
 D822,851 S * 7/2018 Conner D25/64
 10,030,446 B2 7/2018 Badillo
 D832,760 S * 11/2018 Annett D12/203
 D845,853 S * 4/2019 Annett D12/203
 D882,119 S * 4/2020 Badillo D25/64
 2003/0020253 A1 1/2003 Bosman et al.
 2004/0069566 A1 * 4/2004 Bareket E06C 5/04
 182/97
 2005/0039983 A1 * 2/2005 Tombarello B63B 27/14
 182/93
 2005/0082326 A1 4/2005 Badillo
 2005/0098595 A1 5/2005 Smith et al.
 2006/0108179 A1 * 5/2006 Sieb B60R 3/005
 182/127
 2006/0124394 A1 6/2006 Bracken
 2006/0191967 A1 8/2006 Smith et al.
 2008/0277199 A1 11/2008 Castonguay
 2011/0132252 A1 6/2011 Kaye
 2015/0252618 A1 9/2015 Levi
 2016/0159437 A1 6/2016 Pappas et al.
 2017/0050571 A1 * 2/2017 Badillo E06C 5/24
 2018/0044985 A1 * 2/2018 Orscheln E06C 5/02
 2018/0201195 A1 * 7/2018 Downing E06C 5/04
 2018/0328109 A1 11/2018 Badillo
 2019/0351832 A1 11/2019 Fuller et al.

OTHER PUBLICATIONS

Official Action for U.S. Appl. No. 29/589,364, dated Sep. 30, 2019
 6 pages.
 Notice of Allowance for U.S. Appl. No. 29/589,364, dated Dec. 20,
 2019 6 pages.

* cited by examiner

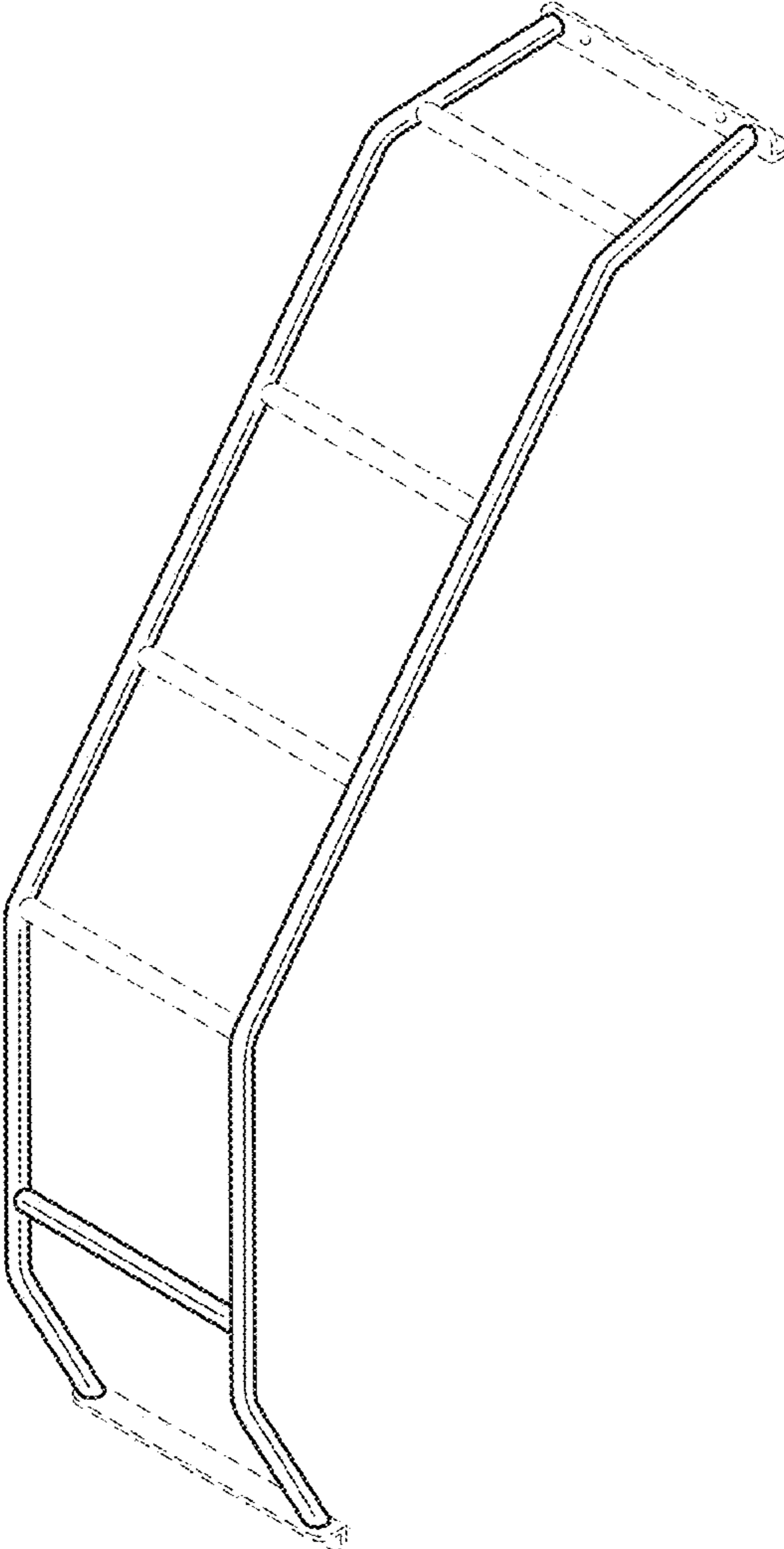


FIG.1

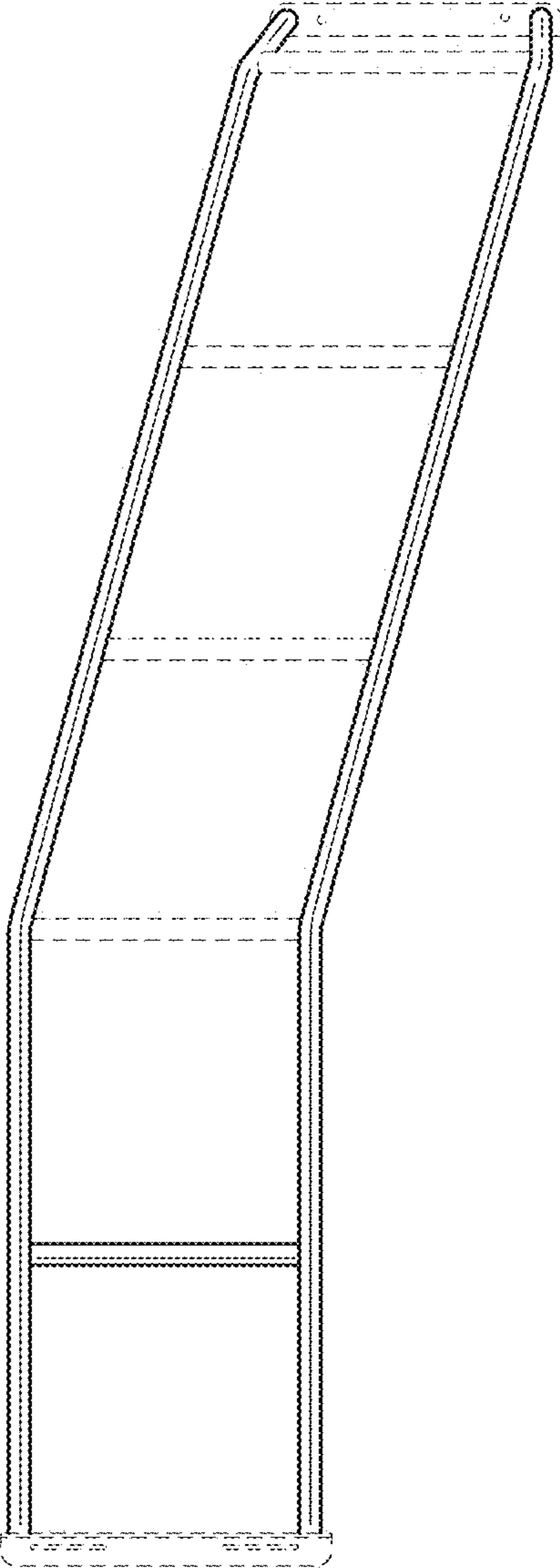


FIG.2

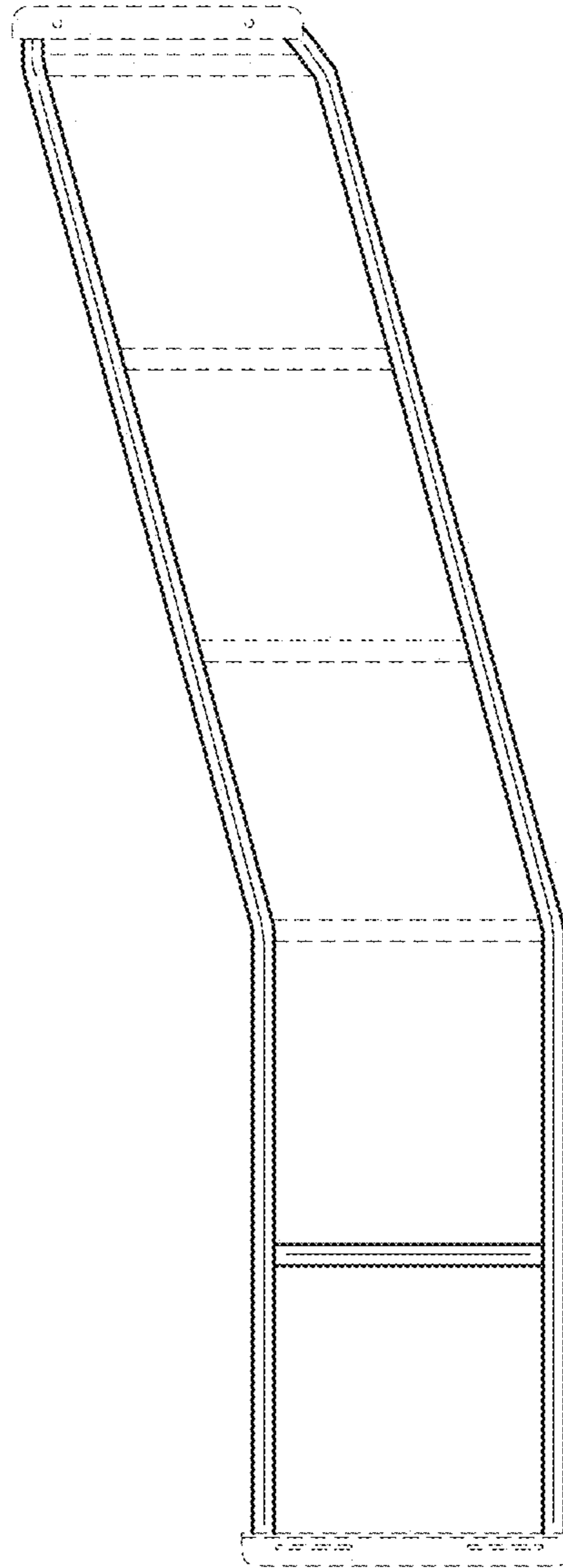


FIG.3

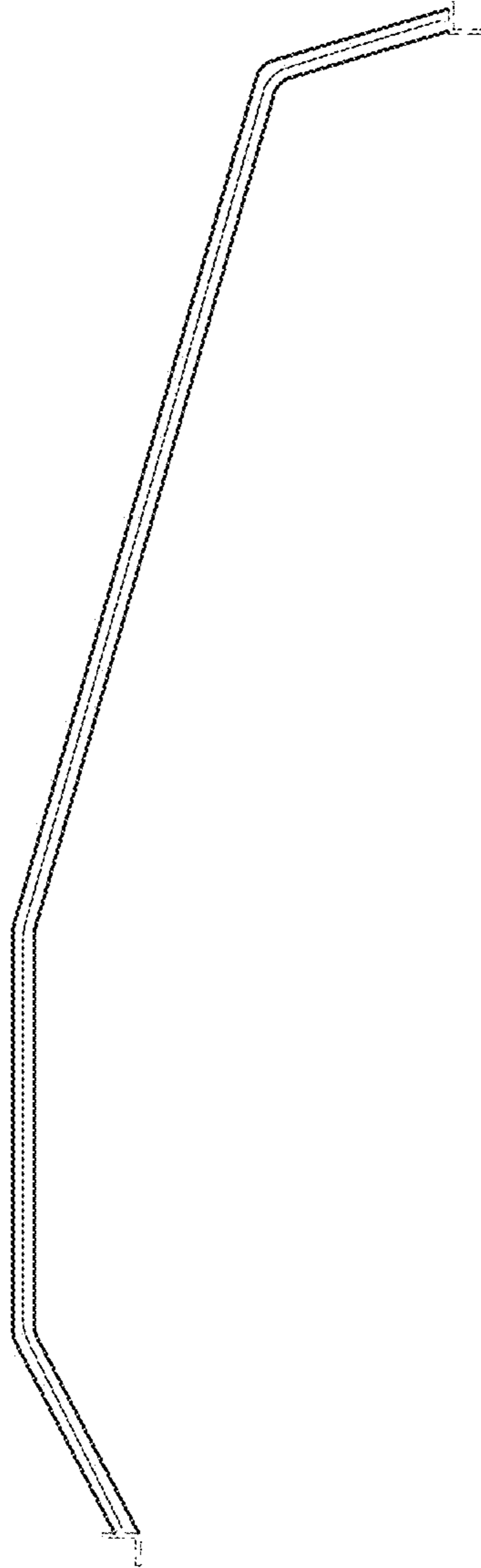


FIG.4

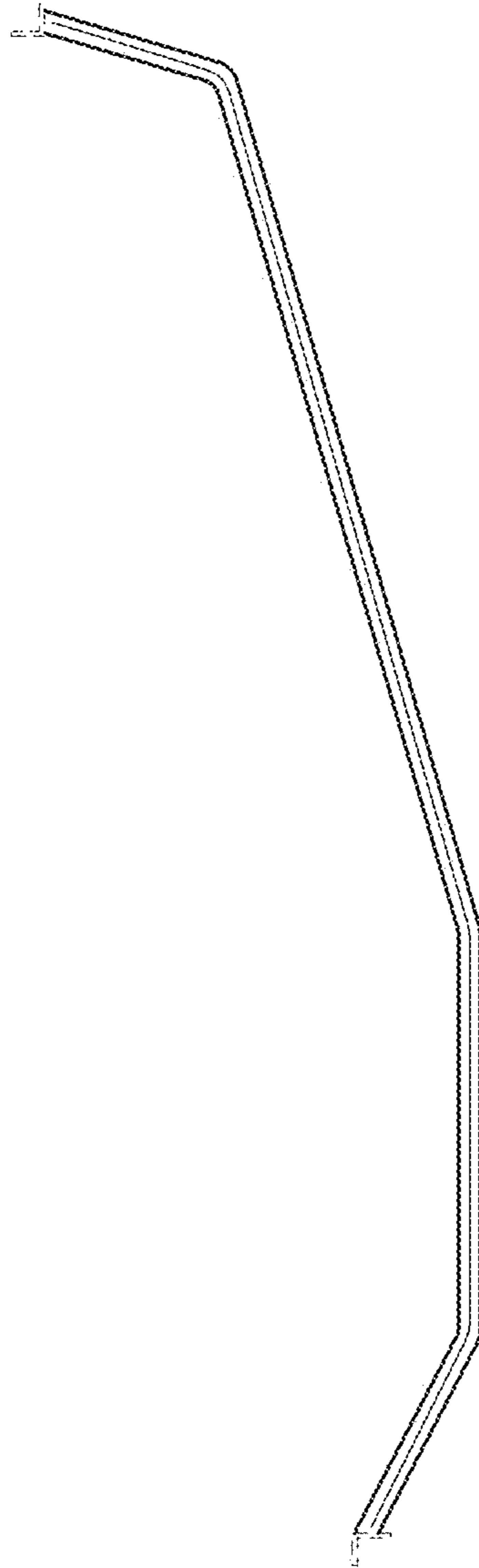


FIG.5

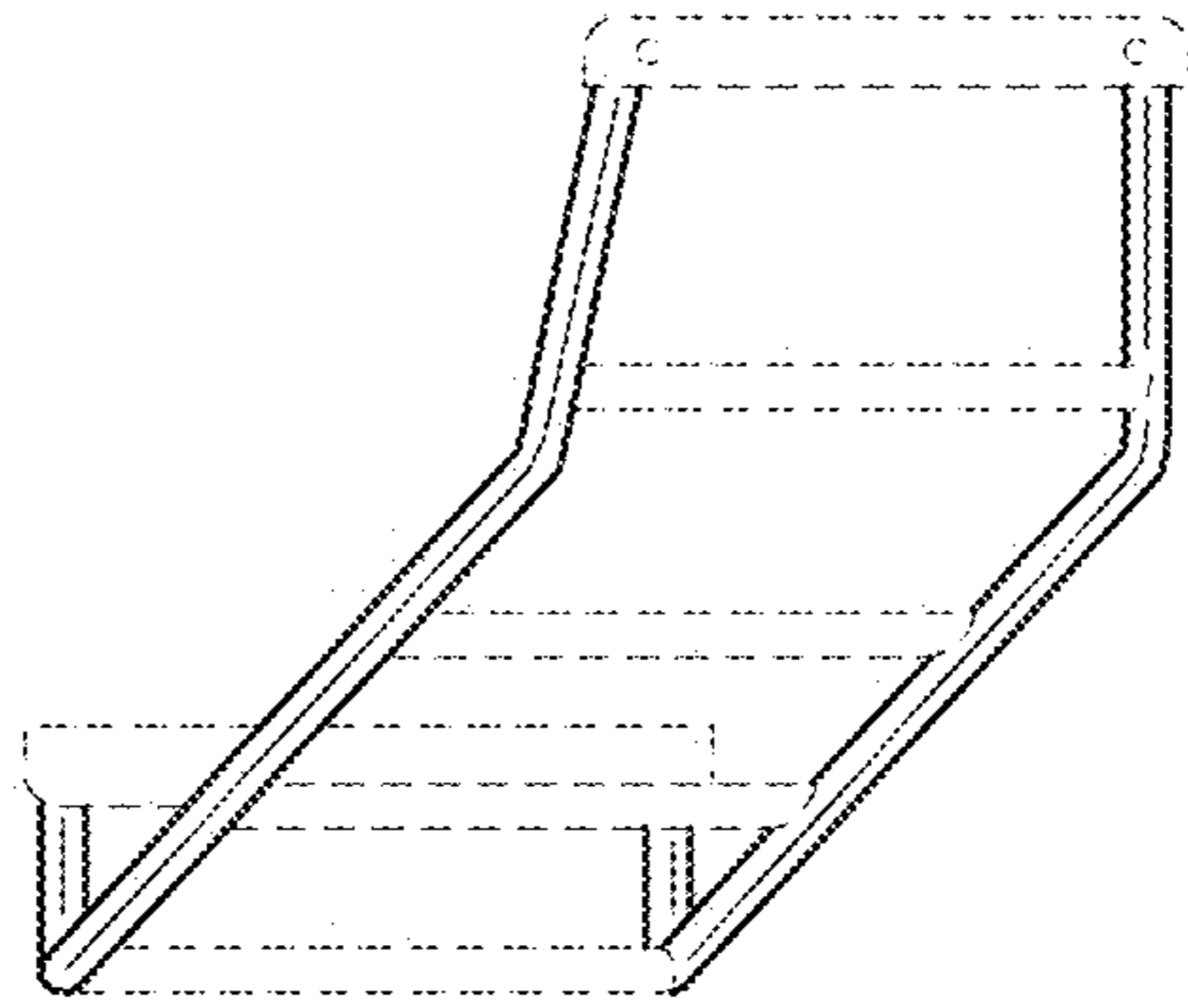


FIG. 6

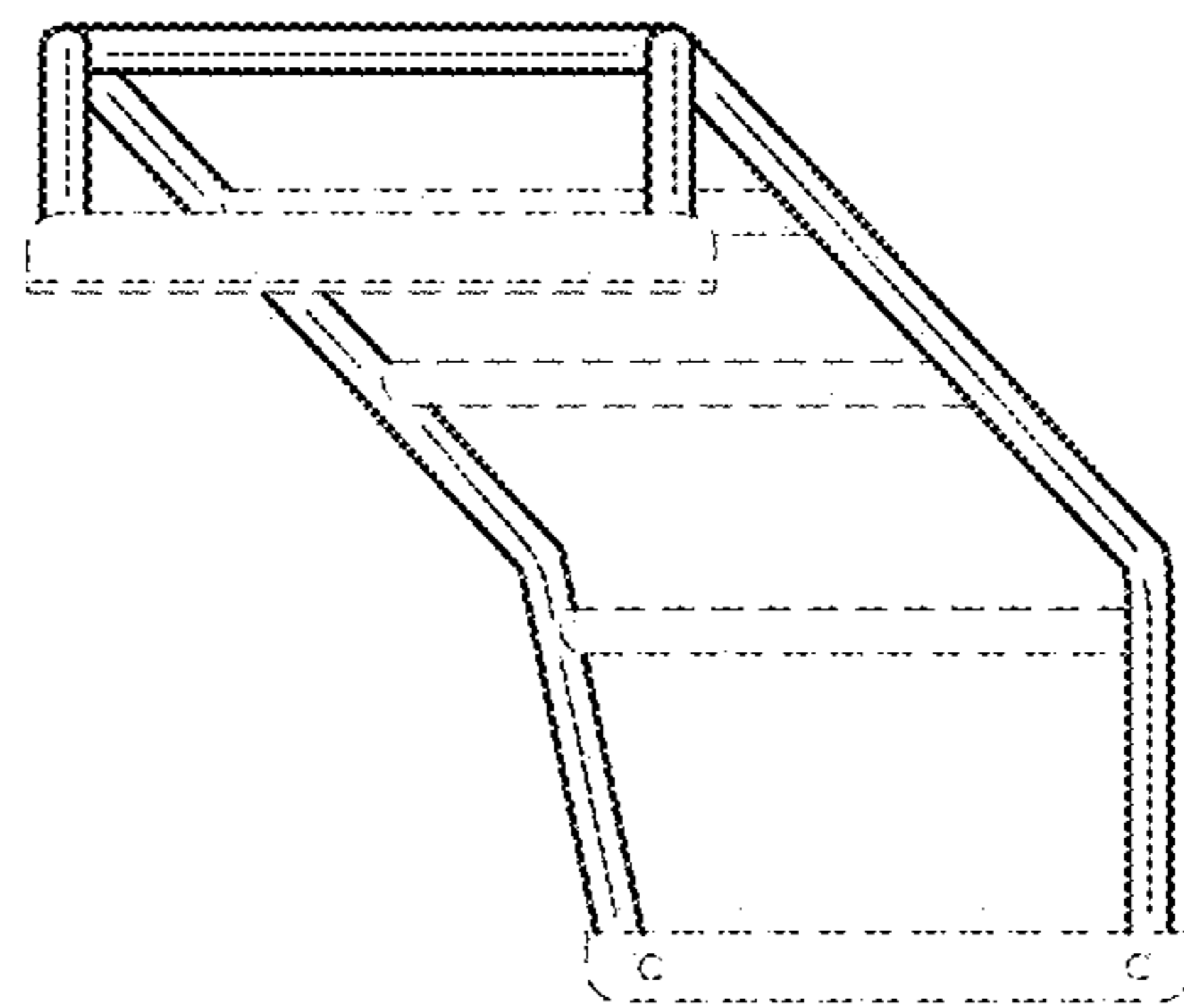


FIG. 7

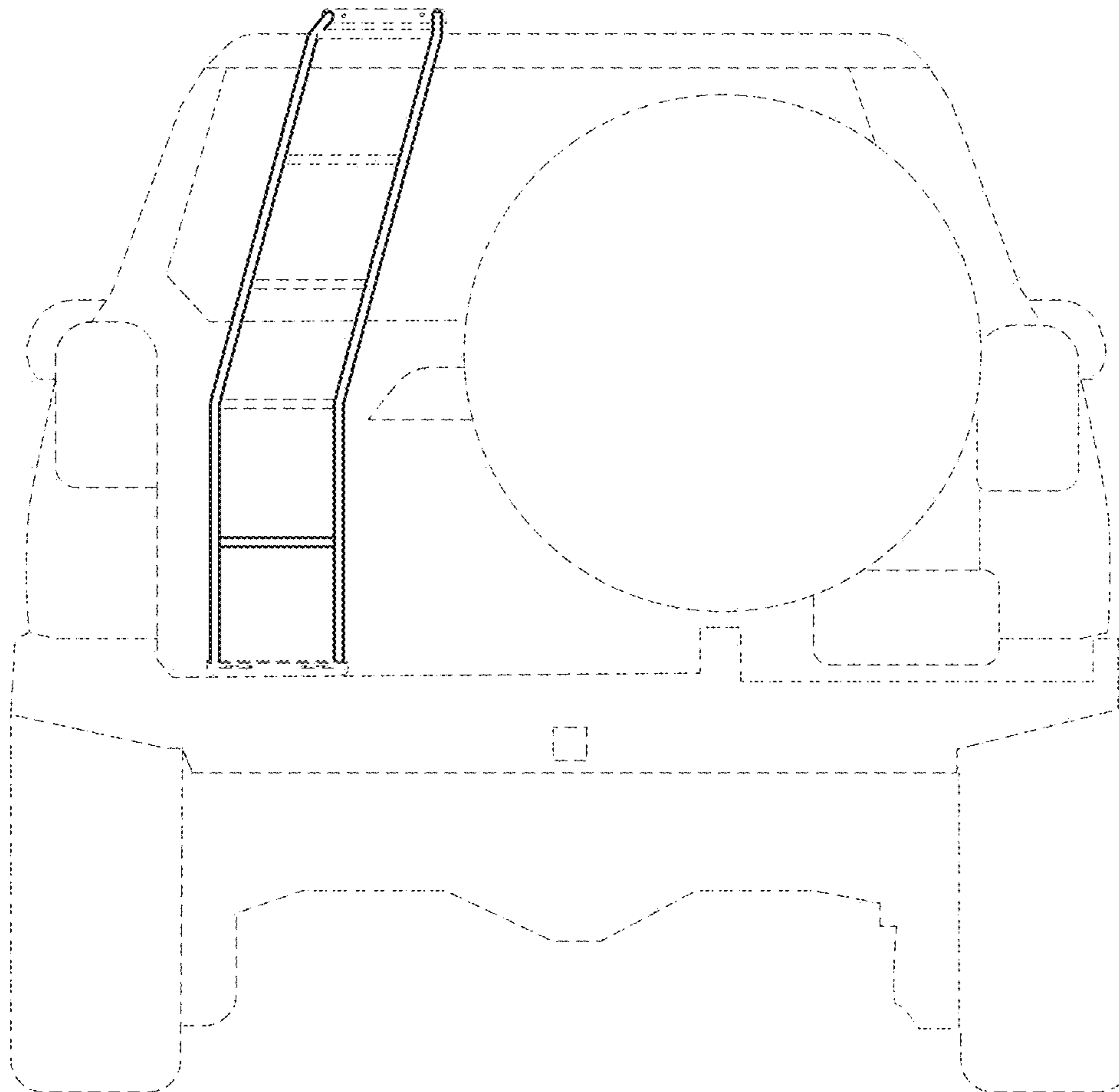


FIG.8