



US00D906538S

(12) **United States Design Patent** (10) **Patent No.:** **US D906,538 S**
Mendez Padilla et al. (45) **Date of Patent:** **** Dec. 29, 2020**

(54) **PIPETTE TIP RECEPTACLE PLATE**
(71) Applicant: **BIOTIX, INC.**, San Diego, CA (US)
(72) Inventors: **Juan Martin Mendez Padilla**, Tijuana (MX); **Arta Motadel**, San Diego, CA (US); **Peter Paul Blaszcak**, San Diego, CA (US)

8,470,265 B2 6/2013 Motadel et al.
D699,370 S 2/2014 Motadel
D699,859 S 2/2014 Motadel
D718,470 S 11/2014 So
D724,236 S 3/2015 Motadel
9,089,845 B2 7/2015 Motadel
(Continued)

(73) Assignee: **BIOTIX, INC.**, San Diego, CA (US)
(**) Term: **15 Years**

FOREIGN PATENT DOCUMENTS
DE 10 2015 006731 12/2016
EM 004124998-0005 * 4/2018
(Continued)

(21) Appl. No.: **29/692,493**
(22) Filed: **May 24, 2019**

OTHER PUBLICATIONS

Tip Eject Reload, posted at biotix.com, no posting date available, online, URL:<http://biotix.com/innovation/packaging/tip-eject-reload/?hsCtaTracking=91ace01a-a571-4807-b747-8714d0f8a979%7Caeeda8e0-37e7-4109-9932-4104ce40bce7> (Year: 2018).
(Continued)

Related U.S. Application Data

(62) Division of application No. 29/592,990, filed on Feb. 3, 2017, now Pat. No. Des. 854,185.
(51) **LOC (12) Cl.** **24-01**
(52) **U.S. Cl.**
USPC **D24/229**
(58) **Field of Classification Search**
USPC D24/108, 127-130, 216, 222, 224-232;
422/63, 65, 250, 266, 297, 300, 476, 526,
422/562, 564; 211/69, 71-72, 74, 71.01,
211/85.18; 206/562, 508, 723; 414/404;
221/92
CPC B01L 9/543; B01L 2200/025; G01N
2035/103; G01N 2035/0427
See application file for complete search history.

Primary Examiner — Lilyana Bekic
Assistant Examiner — Mary Shannon Malley
(74) *Attorney, Agent, or Firm* — Grant IP, Inc.

(57) **CLAIM**

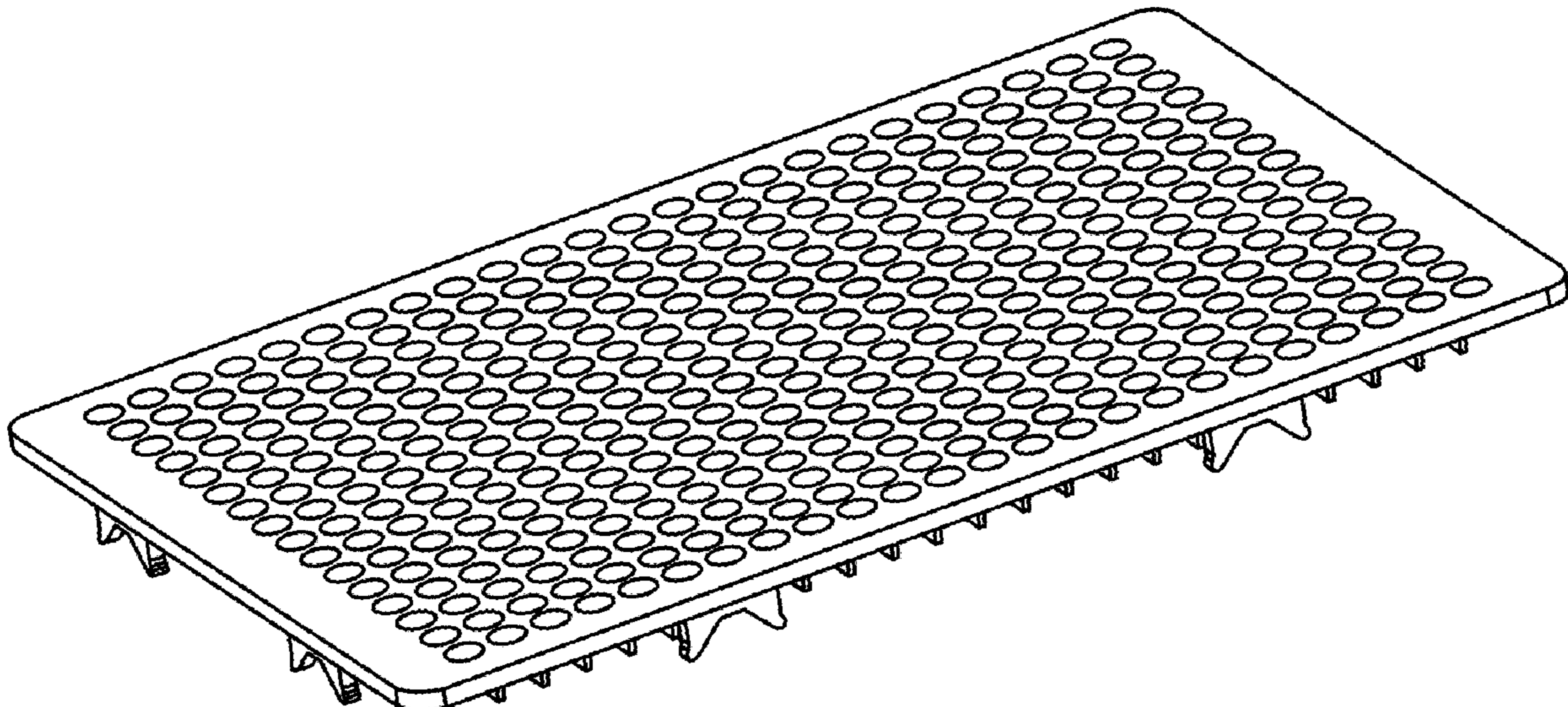
The ornamental design for a pipette tip receptacle plate, as shown and described.

DESCRIPTION

FIG. 1 is a top perspective view of a pipette tip receptacle plate;
FIG. 2 is a bottom perspective view of the plate shown in FIG. 1;
FIG. 3 is a top view of the plate shown in FIG. 1;
FIG. 4 is a bottom view of the plate shown in FIG. 1;
FIG. 5 is a longer side view of the plate shown in FIG. 1; and,
FIG. 6 is a shorter side view of the plate shown in FIG. 1.

(56) **References Cited**
U.S. PATENT DOCUMENTS
3,247,602 A 4/1966 Hamilton
4,349,109 A 9/1982 Scordato et al.
D632,803 S 2/2011 Motadel
8,460,622 B2* 6/2013 Motadel B01L 9/543
422/564

1 Claim, 3 Drawing Sheets



(56)

References Cited

U.S. PATENT DOCUMENTS

D767,783 S 9/2016 McClland
 9,486,803 B2 11/2016 Motadel et al.
 10,137,453 B2 * 11/2018 Curry B01L 3/0275
 10,173,218 B2 * 1/2019 Peterson B01L 3/50851
 D849,961 S * 5/2019 Muller D24/224
 D849,962 S * 5/2019 Curry D24/227
 D851,274 S * 6/2019 Gomi D24/224
 D854,185 S * 7/2019 Mendez Padilla D24/229
 D861,190 S * 9/2019 Potdar D24/230
 2003/0129089 A1 7/2003 Arnold
 2005/0249638 A1 11/2005 Stockwell
 2006/0133965 A1 6/2006 Tajima
 2007/0105214 A1 5/2007 Micklash
 2009/0293643 A1 12/2009 Powell et al.
 2010/0258578 A1 10/2010 Motadel
 2011/0236278 A1 9/2011 Motadel
 2012/0058479 A1 3/2012 Gisler
 2012/0258026 A1 10/2012 Naumann
 2013/0336852 A1 12/2013 Rethwisch et al.
 2014/0234182 A1 8/2014 Motadel et al.
 2016/0167041 A1 6/2016 Curry et al.
 2017/0008001 A1 1/2017 Motadel
 2018/0117595 A1 5/2018 Curry
 2018/0221884 A1 8/2018 Mendez
 2019/0078079 A1 * 3/2019 Higgins B01J 19/12
 2019/0135605 A1 * 5/2019 Lee B01L 3/50853

FOREIGN PATENT DOCUMENTS

EP 2 338 596 6/2011
 WO WO 2006/133440 12/2006
 WO WO 2010/008737 1/2010
 WO WO 2018/144733 8/2018

OTHER PUBLICATIONS

International Search Report and Written Opinion dated Jun. 29, 2018 for International Application No. PCT/US2018/0016456, filed on Feb. 1, 2018 and published as WO 2018/144733 on Aug. 9, 2018. Office Action dated Nov. 27, 2018 in Design U.S. Appl. No. 29/592,990, filed Feb. 3, 2017. Office Action dated Feb. 21, 2019 in Design U.S. Appl. No. 29/592,990, filed Feb. 3, 2017. "International Preliminary Report on Patentability dated Aug. 15, 2019 in International Patent Application No. PCT/US2018/016456, filed on Feb. 1, 2018", 14 pages. "Office Action Received dated Dec. 10, 2019 in U.S. Appl. No. 15/886,513, filed Feb. 1, 2018 and published as US-2018-0221884-A1 on Aug. 9, 2018", 17 pages. "Office Action dated Jun. 2, 2020 in U.S. App. No. 15/886,513, filed Feb. 1, 2018 and published as US 2018-0221884 on Aug. 9, 2018", 13 pages.

* cited by examiner

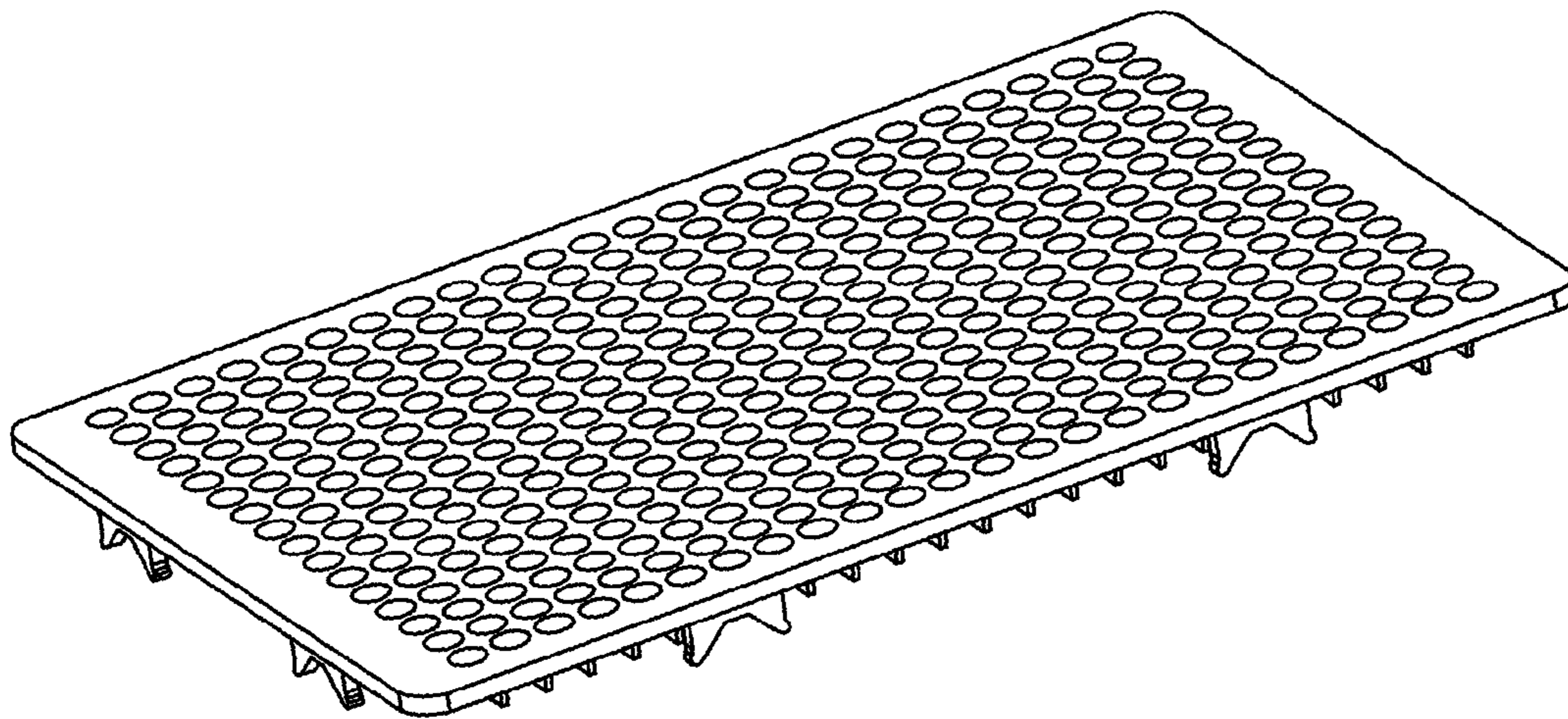


FIG. 1

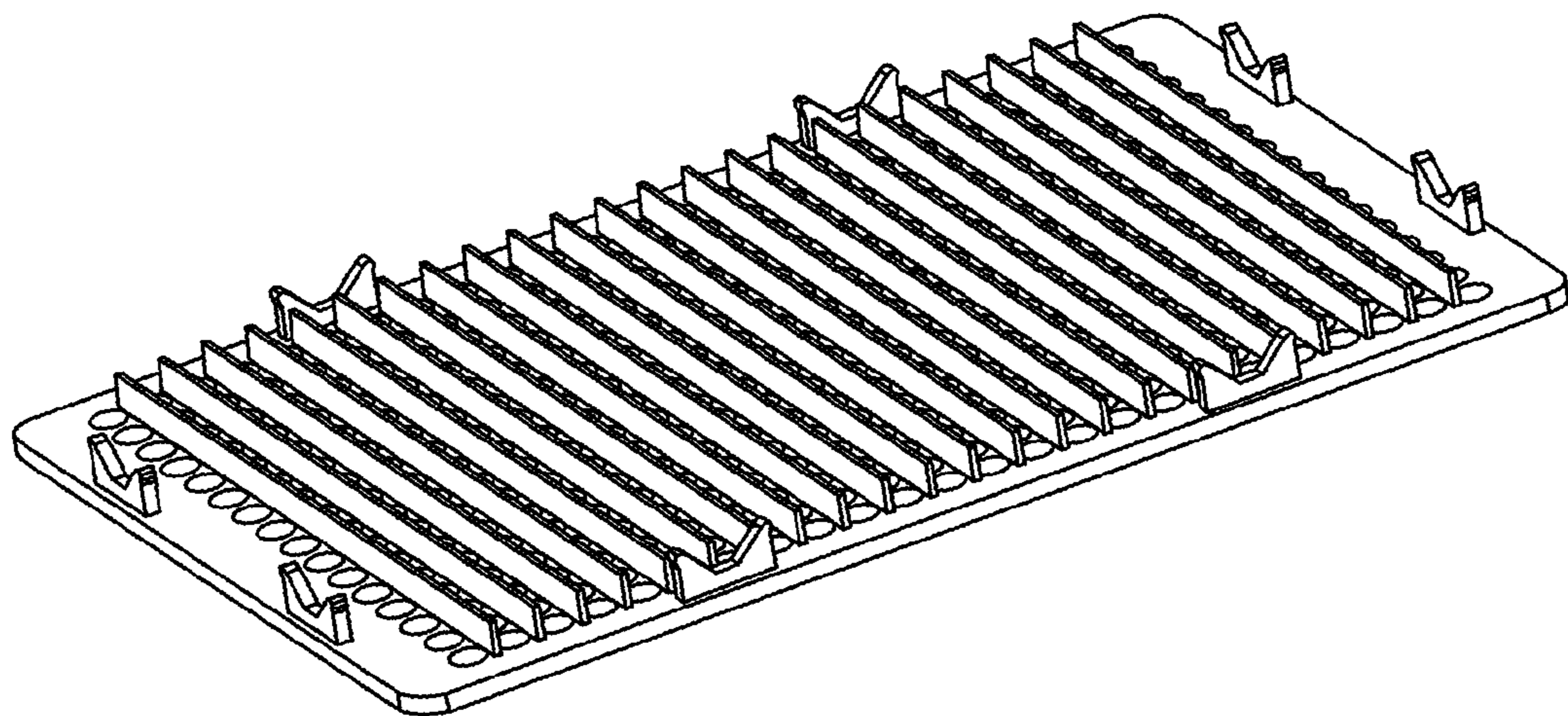


FIG. 2

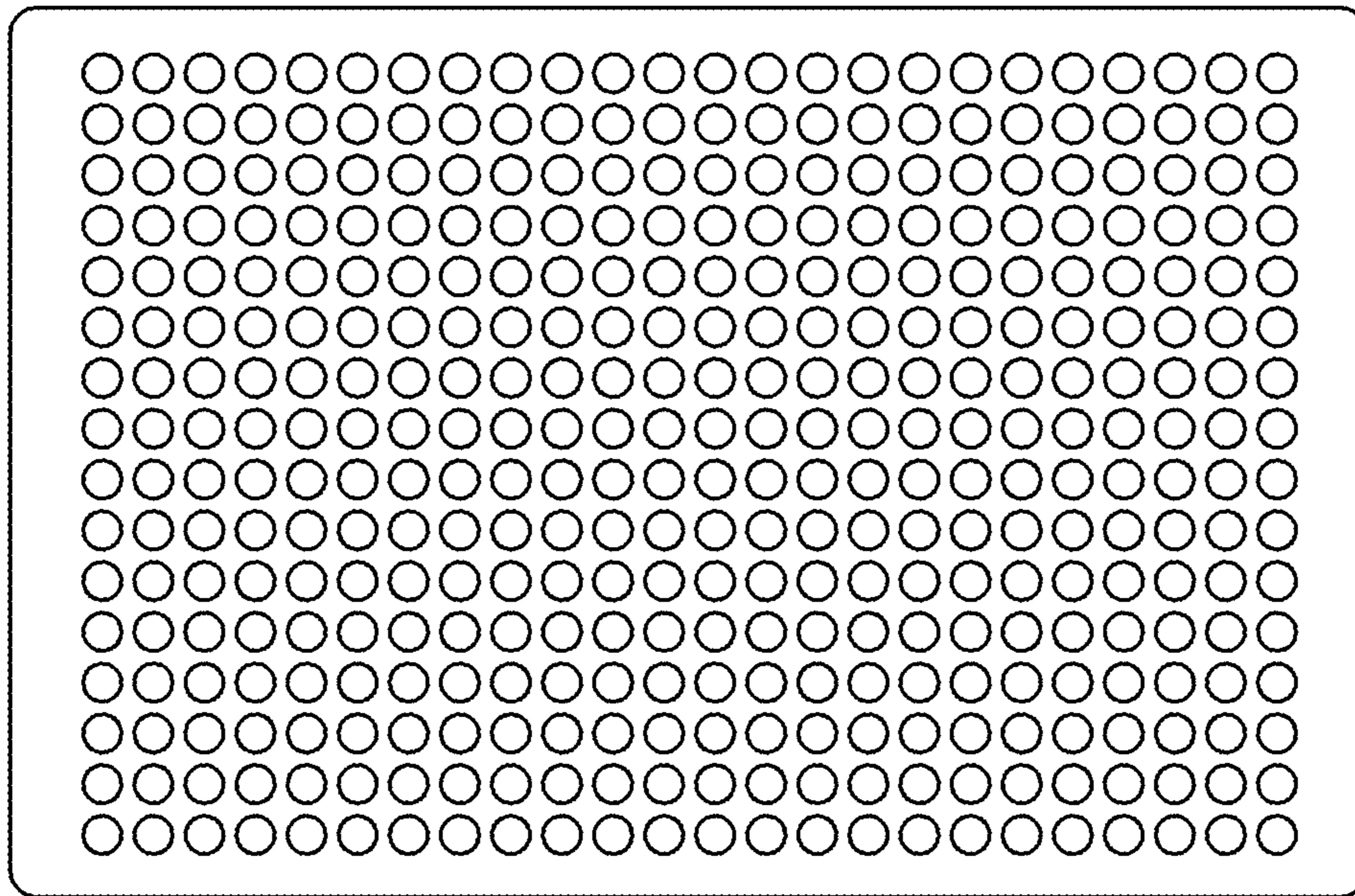


FIG. 3

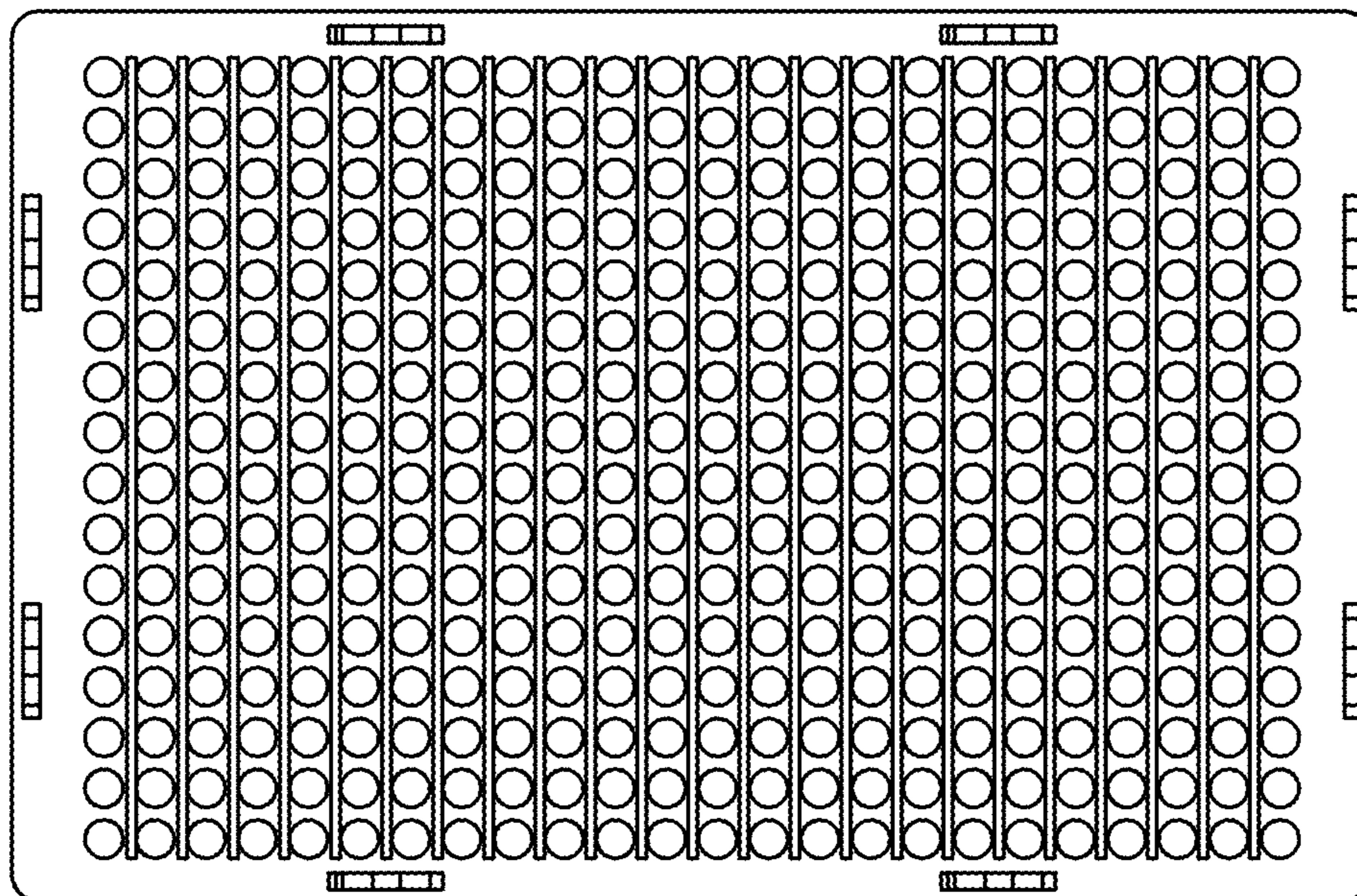


FIG. 4

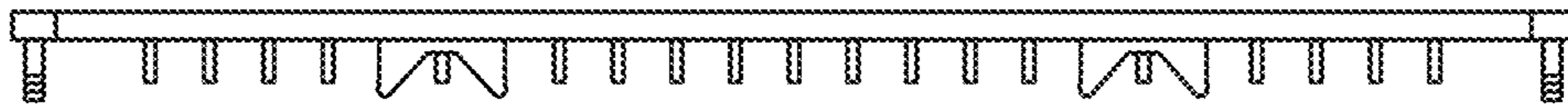


FIG. 5

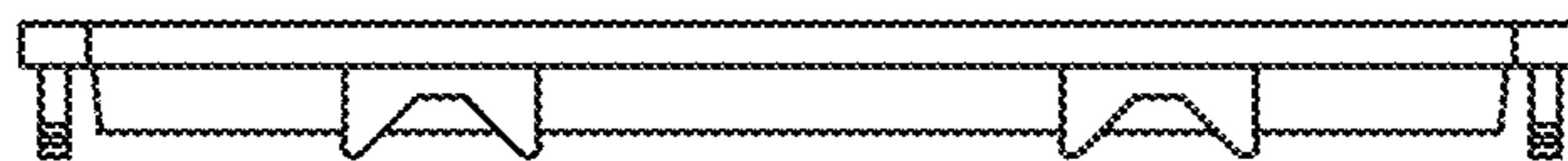


FIG. 6