



US00D906535S

(12) **United States Design Patent** (10) **Patent No.:** **US D906,535 S**  
**Li** (45) **Date of Patent:** **\*\* Dec. 29, 2020**

(54) **MASSAGE APPLIANCE**

(71) Applicant: **Jiajun Li**, Xiamen (CN)

(72) Inventor: **Jiajun Li**, Xiamen (CN)

(\*\*) Term: **15 Years**

(21) Appl. No.: **29/740,852**

(22) Filed: **Jul. 7, 2020**

(51) **LOC (12) Cl.** ..... **28-03**

(52) **U.S. Cl.**  
USPC ..... **D24/215**

(58) **Field of Classification Search**  
USPC ..... D24/200, 211, 212, 213, 214, 215;  
D30/160; D21/725, 727  
CPC ..... A61H 2015/0014; A61H 7/007  
See application file for complete search history.

(56) **References Cited**

**U.S. PATENT DOCUMENTS**

D40,158 S *	7/1909	Appel	D24/214
D119,035 S *	2/1940	Lindgren	D24/212
D152,951 S *	3/1949	Eldredge	D24/212
2,546,095 A *	3/1951	Gustlin	A61H 15/02 601/121
D177,529 S *	4/1956	McDermont	D24/212
D211,549 S *	6/1968	Christopher	D24/211
D256,503 S *	8/1980	Moustakas	D24/212
D263,077 S *	2/1982	Stanton	D24/212
4,378,007 A *	3/1983	Kachadourian	A61H 15/00 482/79
D274,360 S *	6/1984	Gomez	D24/211
D281,816 S *	12/1985	Conn, Sr.	D24/211
D399,569 S *	10/1998	Wier	D24/212
D408,948 S *	4/1999	Huettner	D30/160
D419,378 S *	1/2000	Madden	D7/510
6,102,876 A *	8/2000	Winger	A61H 15/0092 601/107
D465,852 S *	11/2002	Bloch	D24/211
D495,422 S *	8/2004	Chen	D24/211
D587,411 S *	2/2009	Rezny	D30/160
D642,067 S *	7/2011	Azar	D9/668

D648,034 S *	11/2011	Rice	D24/215
D676,140 S *	2/2013	Feightner	D24/212
D686,720 S *	7/2013	Lin	D23/366
D699,794 S *	2/2014	Wauldron	D21/662
D717,016 S *	11/2014	Osenga	D1/199
D744,663 S *	12/2015	Holland	D24/211
D750,797 S *	3/2016	Mannheim	D24/215
D755,314 S *	5/2016	Williams	D21/725
D762,042 S *	7/2016	Osenga	D1/106
D780,384 S *	2/2017	Miksovsky	D30/160
D788,934 S *	6/2017	Hirokawa	
D792,980 S *	7/2017	Olivares	D24/215
D796,125 S *	8/2017	Gibson	D30/160
D812,240 S *	3/2018	Janapol	D24/215

(Continued)

**OTHER PUBLICATIONS**

Amazon, "Wooden Stick Reflexology", Oct. 31, 2020. [https://www.amazon.com/WHGYDUGSYAGD-Massage-Reflexology-Relieve-Soreness/dp/B08LVP8DC6/ref=sr\\_1\\_231?crd=3TCEGBCBL8ZZ&dchild=1&keywords=wooden+massage+stick&qid=1604088975&sprefix=wooden+massage+stcik%2Caps%2C163&sr=8-231](https://www.amazon.com/WHGYDUGSYAGD-Massage-Reflexology-Relieve-Soreness/dp/B08LVP8DC6/ref=sr_1_231?crd=3TCEGBCBL8ZZ&dchild=1&keywords=wooden+massage+stick&qid=1604088975&sprefix=wooden+massage+stcik%2Caps%2C163&sr=8-231). Shown on p. 1. (Year: 2020).\*

*Primary Examiner* — Cynthia Ramirez

*Assistant Examiner* — Michael A Maharajh

(74) *Attorney, Agent, or Firm* — ScienBiziP, P.C.

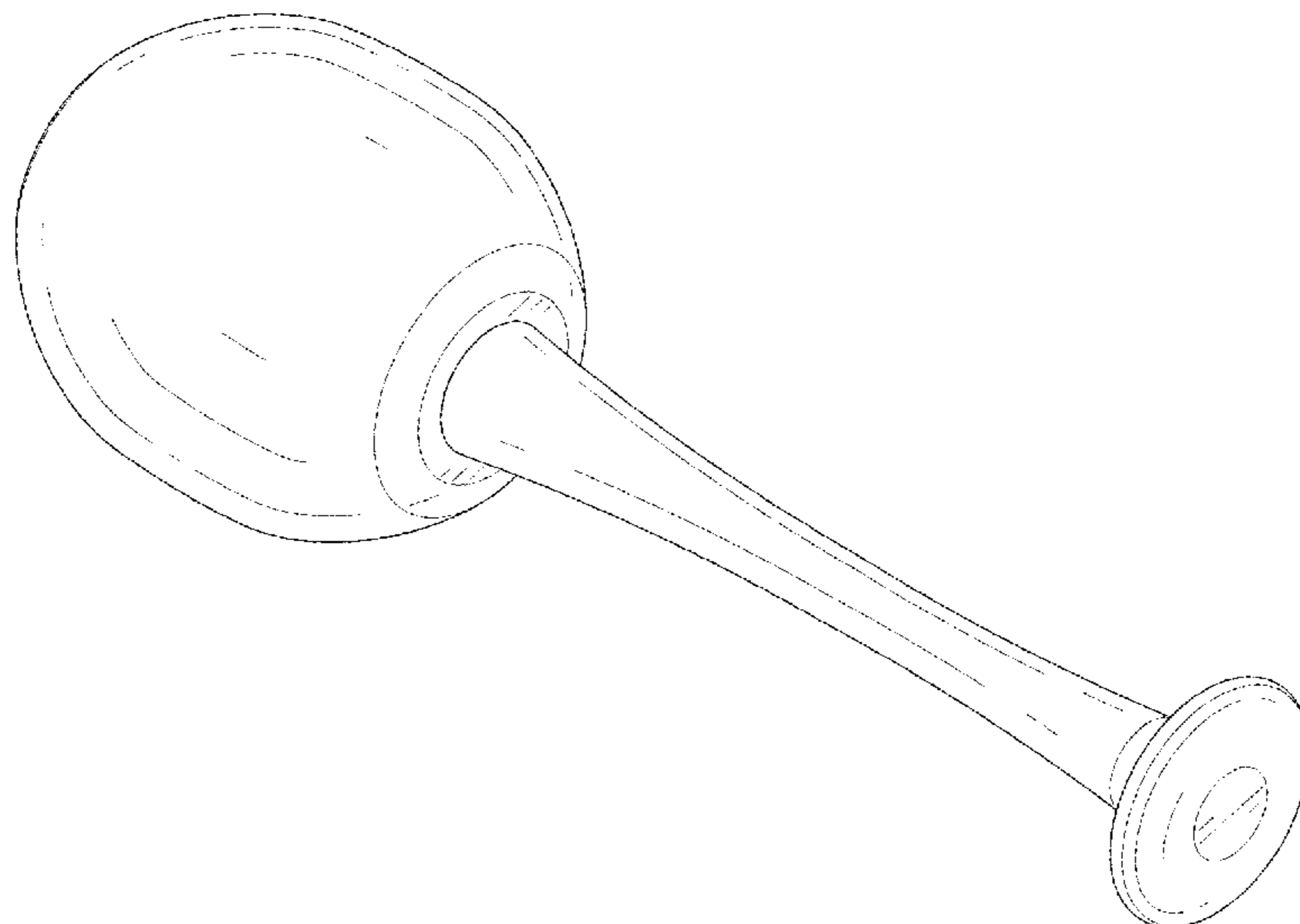
(57) **CLAIM**

The ornamental design for a massage appliance, as shown and described.

**DESCRIPTION**

FIG. 1 is a front and top perspective view of a massage appliance, showing my design.  
FIG. 2 is a front elevation view thereof.  
FIG. 3 is a rear elevation view thereof.  
FIG. 4 is a left side elevation view thereof.  
FIG. 5 is a right side elevation view thereof.  
FIG. 6 is a top plan view thereof; and,  
FIG. 7 is a bottom plan view thereof.

**1 Claim, 7 Drawing Sheets**



(56)

**References Cited**

U.S. PATENT DOCUMENTS

D826,418	S *	8/2018	Lad .....	D24/215
D844,803	S *	4/2019	Liu .....	D24/215
D845,501	S *	4/2019	Janapol .....	D24/215
D857,222	S *	8/2019	Liu .....	D24/215
D865,983	S *	11/2019	Huang .....	D24/211
D866,785	S *	11/2019	Tarashchansky .....	D24/215
D881,712	S *	4/2020	Young .....	D9/668
D881,713	S *	4/2020	Young .....	D9/668
D883,507	S	5/2020	Yamada	
D885,599	S *	5/2020	Guerizec .....	D24/211
D886,319	S	6/2020	Sugimoto	
D890,866	S *	7/2020	Religa .....	D21/662
D898,141	S *	10/2020	Riley .....	D21/725
2008/0200851	A1 *	8/2008	Faussett .....	A61H 15/0092 601/119
2016/0022529	A1 *	1/2016	Abdo .....	A61H 15/0092 601/119
2016/0030801	A1 *	2/2016	Porto .....	A61H 15/0092 482/139
2019/0343713	A1 *	11/2019	Boghosian .....	A61H 15/0092

\* cited by examiner

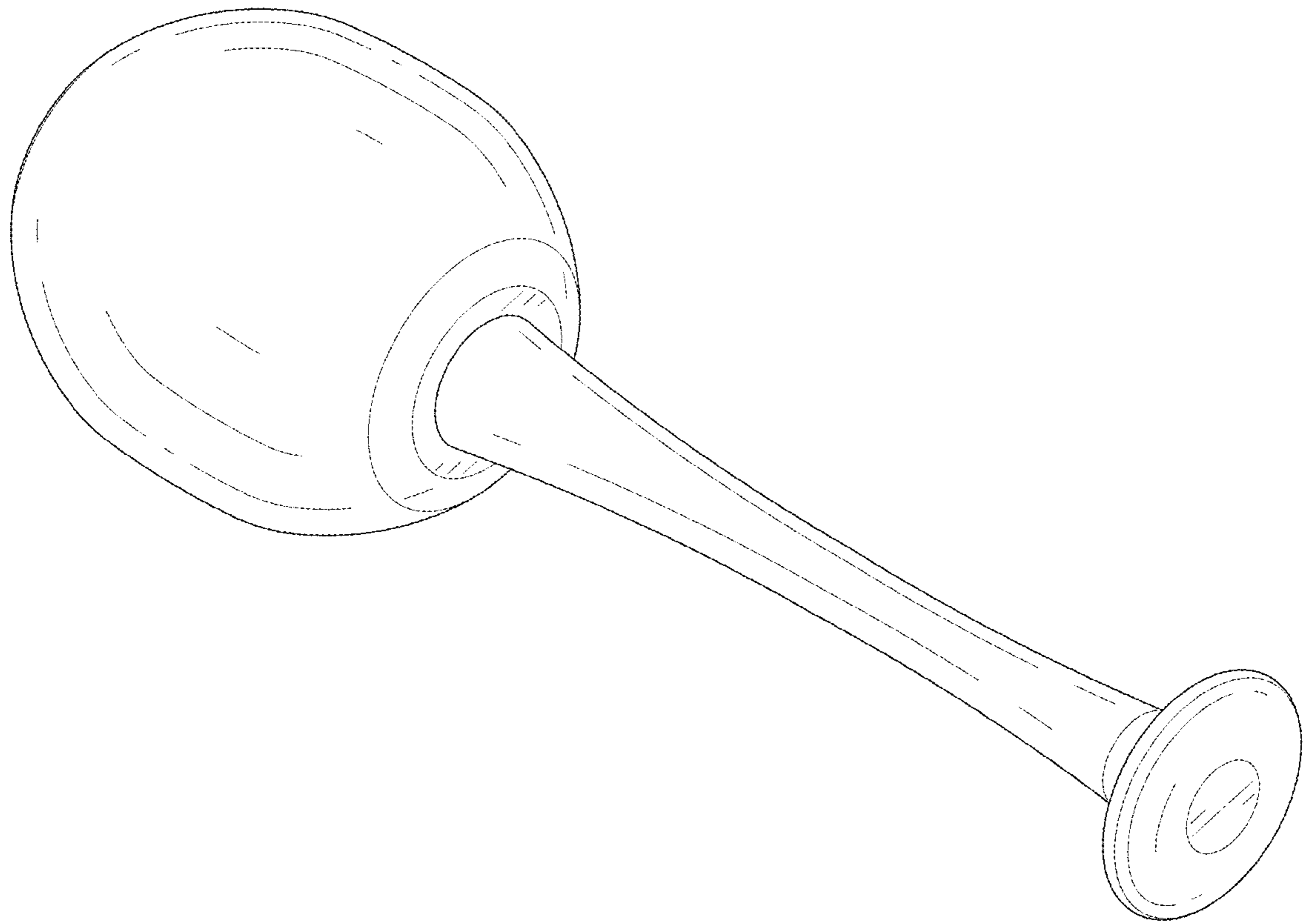


FIG.1

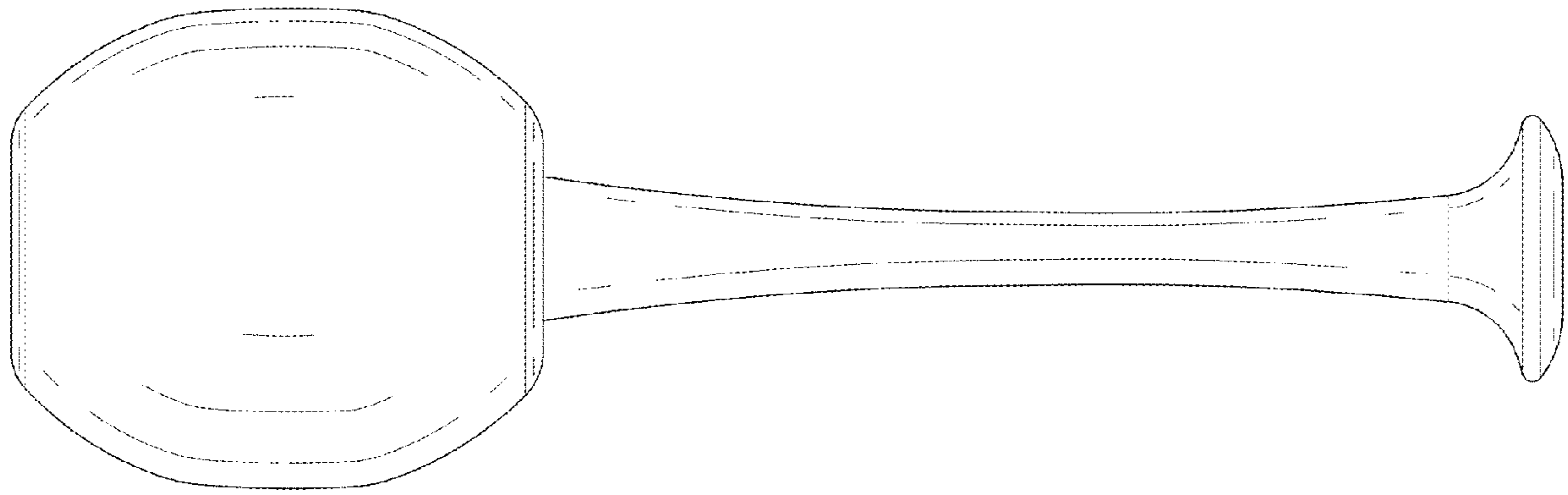


FIG.2

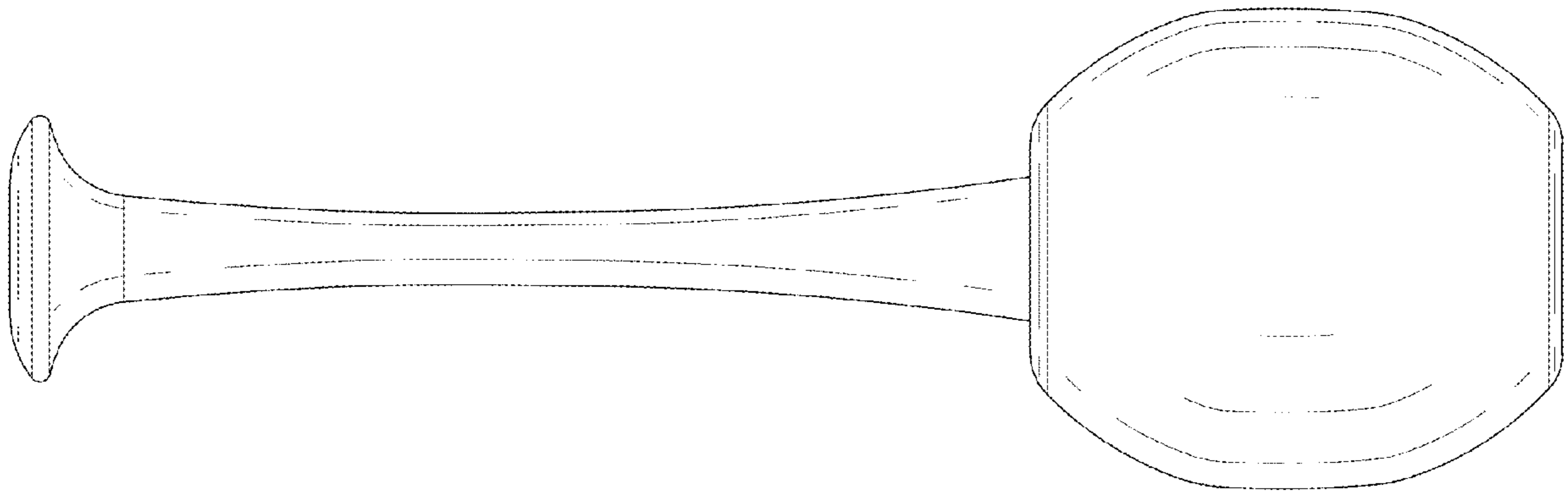


FIG.3

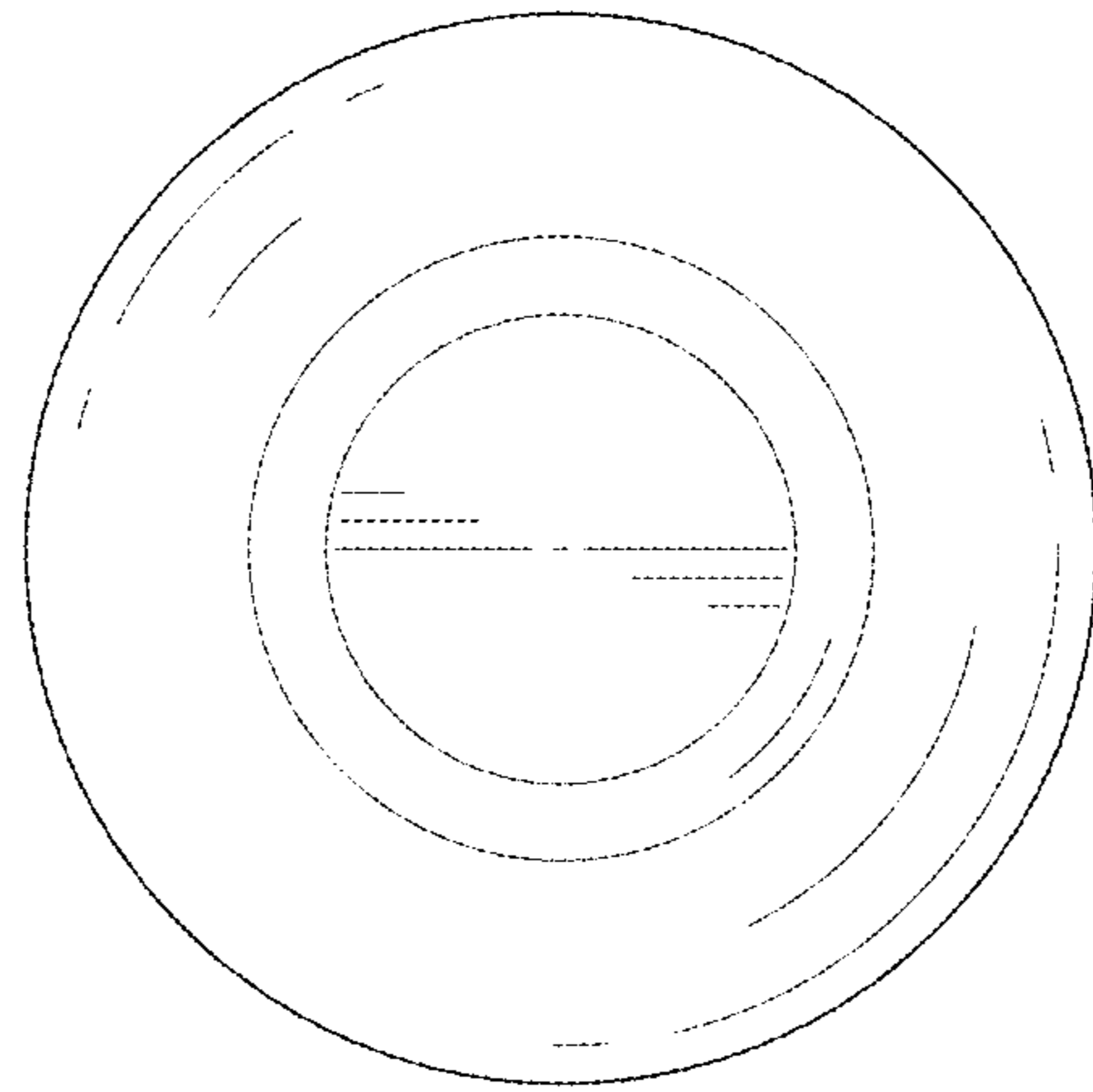


FIG.4

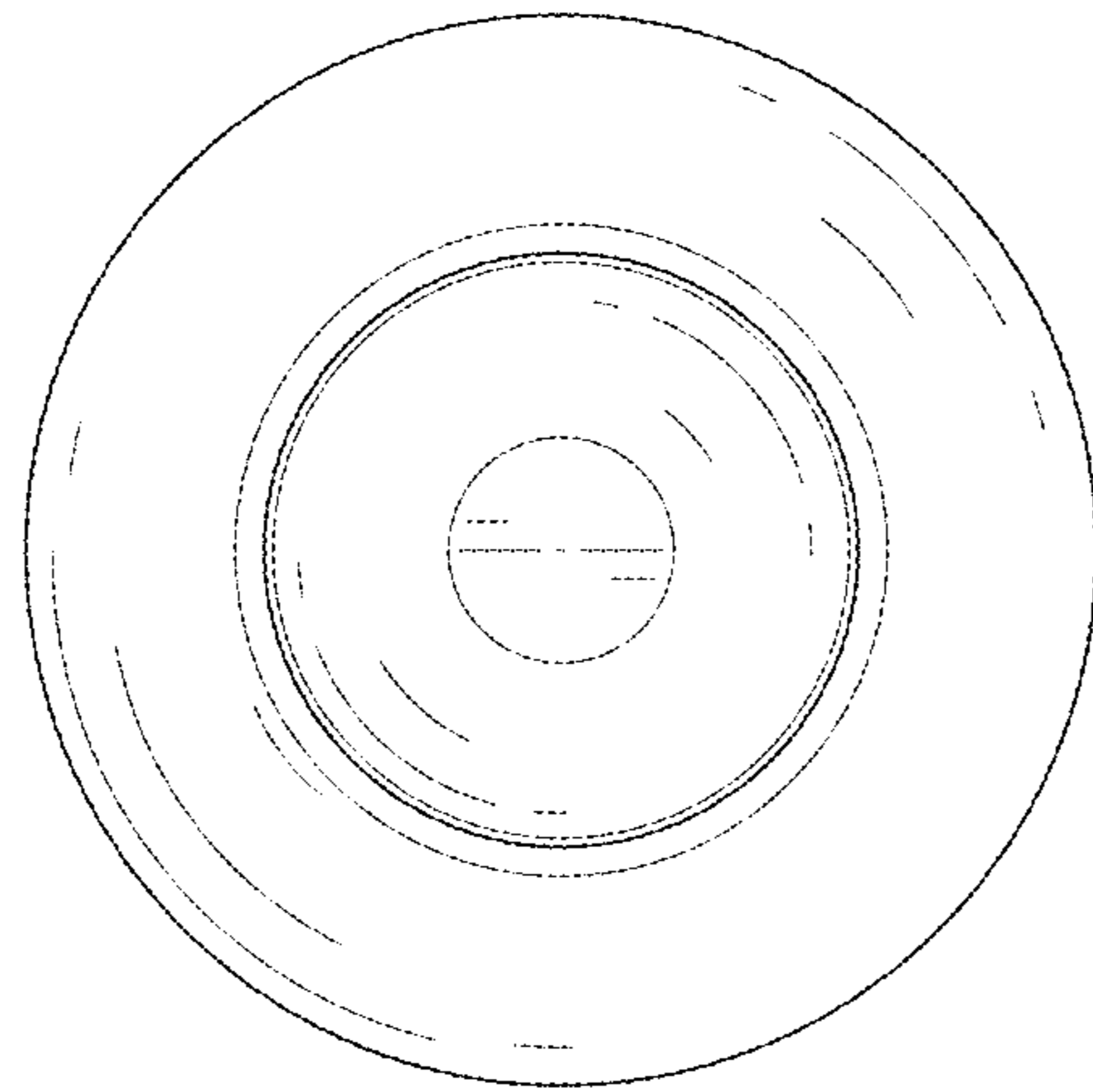


FIG.5

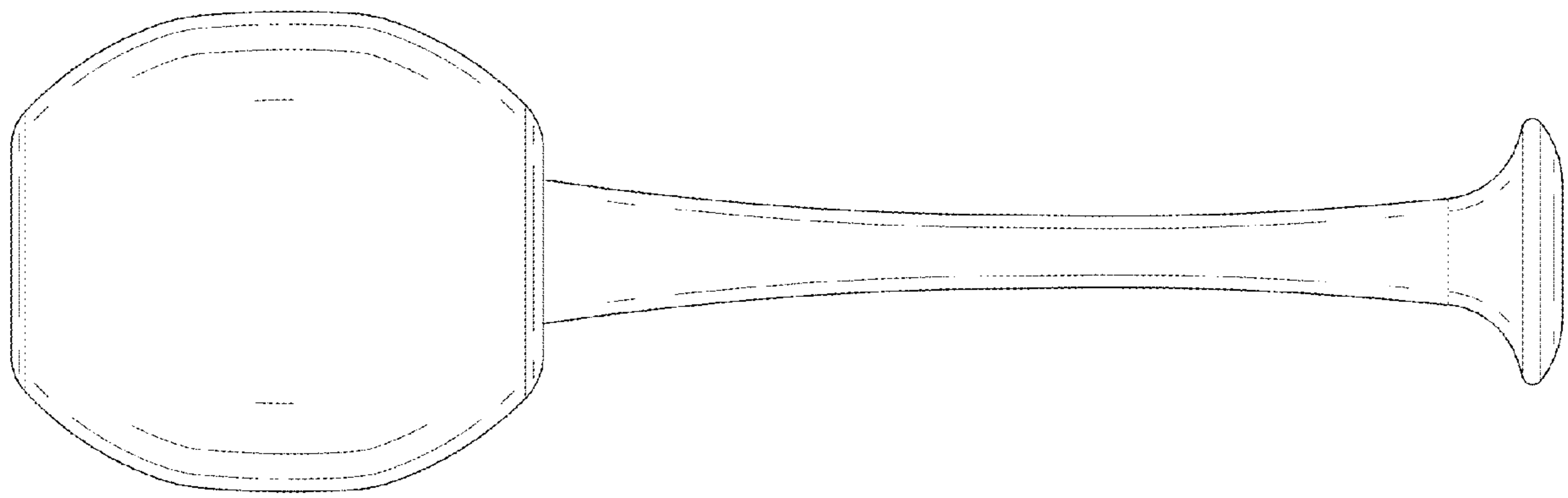


FIG.6



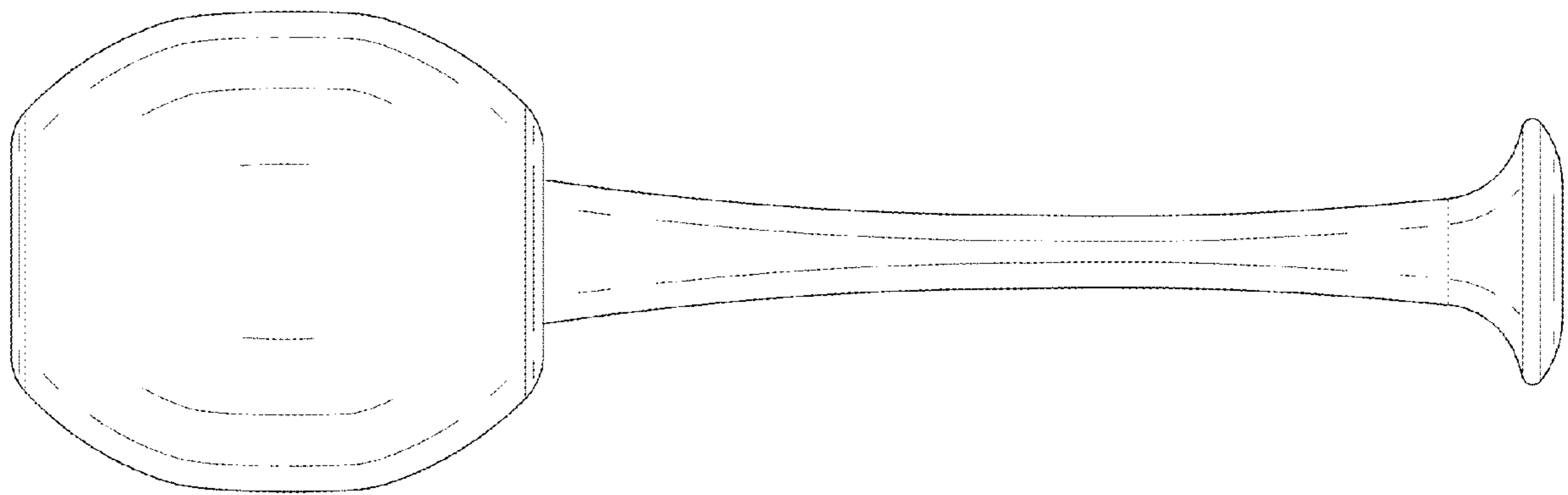


FIG.7