



US00D906533S

(12) **United States Design Patent** (10) **Patent No.:** **US D906,533 S**  
**Xu** (45) **Date of Patent:** **\*\* Dec. 29, 2020**

(54) **DEEP TISSUE MASSAGER**  
(71) Applicant: **YONG KANG AIJIU INDUSTRIAL & TRADE CO., LTD**, Zhejiang (CN)  
(72) Inventor: **Lijun Xu**, Zhejiang (CN)  
(73) Assignee: **YONG KANG AIJIU INDUSTRIAL & TRADE CO., LTD**, Yongkang (CN)

D880,715 S \* 4/2020 Wersland ..... D24/215  
D880,716 S \* 4/2020 Wersland ..... D24/215  
D884,205 S \* 5/2020 Zhuang ..... D24/215  
D884,207 S \* 5/2020 Ma ..... D24/215  
D884,915 S \* 5/2020 Wersland ..... D24/215  
D885,601 S \* 5/2020 Wersland ..... D24/215  
D886,317 S \* 6/2020 Marton ..... D24/215  
10,714,953 B1 \* 7/2020 Solana ..... H02J 50/005  
D893,738 S \* 8/2020 Zhuang ..... D24/215  
D895,133 S \* 9/2020 Xu ..... D24/215

(Continued)

(\*\*) Term: **15 Years**

(21) Appl. No.: **29/705,072**

(22) Filed: **Sep. 9, 2019**

(30) **Foreign Application Priority Data**

Aug. 26, 2019 (CN) ..... 2019 3 0465809

(51) **LOC (12) Cl.** ..... **28-03**

(52) **U.S. Cl.**  
USPC ..... **D24/215**

(58) **Field of Classification Search**  
USPC ..... D24/200, 211, 212, 213, 214, 215;  
D30/160; D8/14.1  
CPC ..... A61H 23/0254; A61H 2201/0153  
See application file for complete search history.

(56) **References Cited**

**U.S. PATENT DOCUMENTS**

D478,385 S 8/2003 Dirks  
D840,547 S \* 2/2019 Harle ..... D24/214  
D847,364 S \* 4/2019 Lee ..... D24/215  
10,314,762 B1 \* 6/2019 Marton ..... A61H 23/004  
D855,822 S \* 8/2019 Marton ..... D24/215  
D872,869 S \* 1/2020 Lu ..... D24/215  
D873,432 S 1/2020 Duan  
D874,015 S \* 1/2020 Marton ..... D24/215  
D875,961 S \* 2/2020 Li ..... D24/211  
D877,351 S \* 3/2020 Wersland ..... D24/215  
D879,985 S \* 3/2020 Wersland ..... D24/214  
D879,986 S \* 3/2020 Wersland ..... D24/214  
D880,714 S \* 4/2020 Wersland ..... D24/215

**OTHER PUBLICATIONS**

Amazon, "Muscle Massage Gun", Apr. 11, 2020. <https://www.amazon.com/Athletes-Percussion-Massager-Handheld-Soreness/dp/B085Q1L9NL>. Shown on p. 1. (Year: 2020).\*

*Primary Examiner* — Cynthia Ramirez  
*Assistant Examiner* — Michael A Maharajh

(57) **CLAIM**

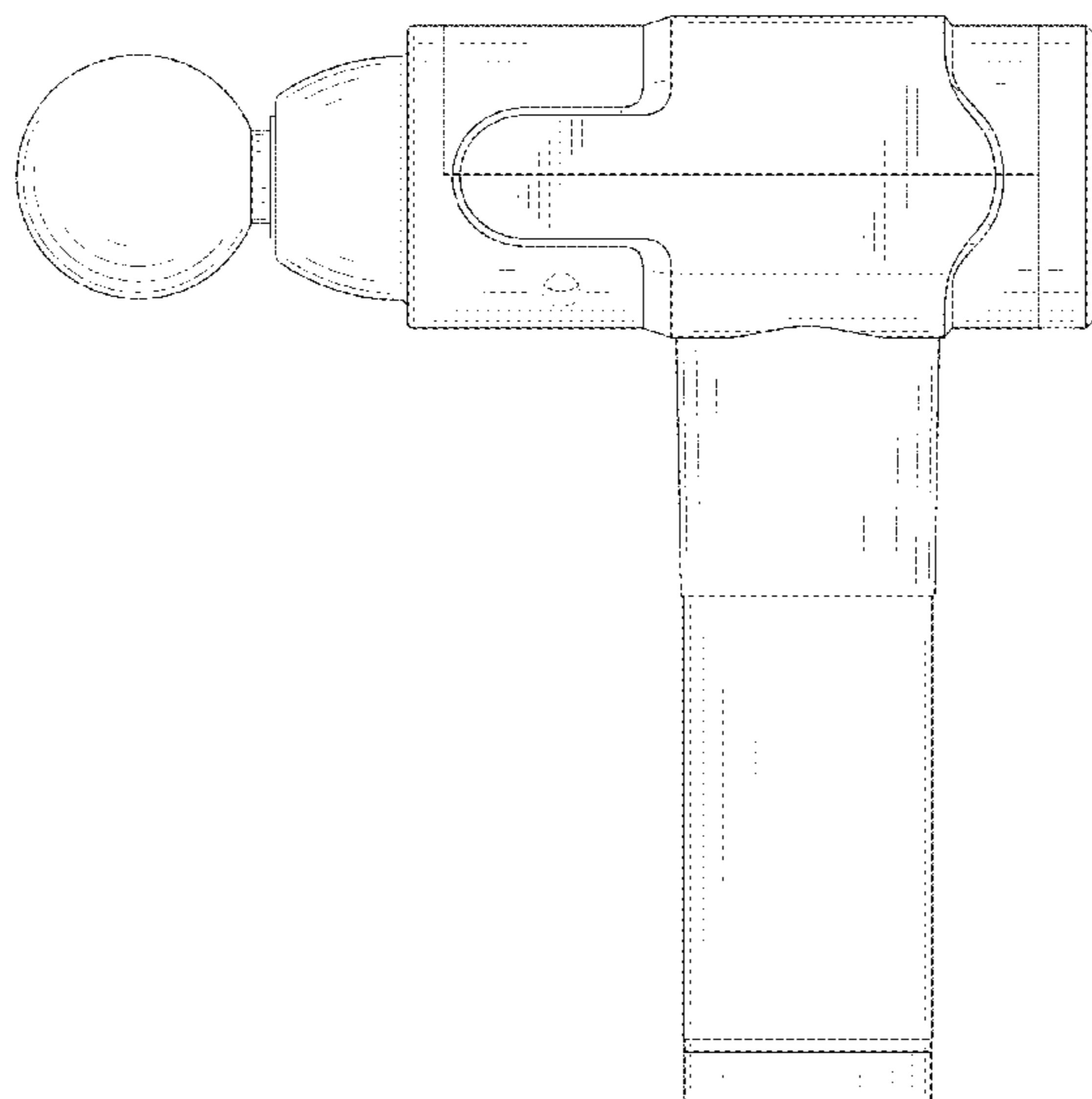
The ornamental design for a deep tissue massager, as shown and described.

**DESCRIPTION**

FIG. 1 is a front elevational view of a deep tissue massager showing my new design;  
FIG. 2 is a rear elevational view thereof;  
FIG. 3 is a left side view thereof;  
FIG. 4 is a right side view thereof;  
FIG. 5 is a top plan view thereof;  
FIG. 6 is a bottom plan view thereof;  
FIG. 7 is a top, front and left side perspective view thereof;  
and,  
FIG. 8 is a bottom, rear and right side perspective view thereof.

The broken lines in the drawings illustrate portions of the deep tissue massager which form no part of the claimed design.

**1 Claim, 8 Drawing Sheets**



(56)

**References Cited**

U.S. PATENT DOCUMENTS

D895,135 S \* 9/2020 Xu ..... D24/215  
D895,831 S \* 9/2020 Chen ..... D24/215  
D896,396 S \* 9/2020 Wersland ..... D24/215  
D898,209 S \* 10/2020 Xu ..... D24/214  
D898,933 S \* 10/2020 Xu ..... D24/215  
D899,620 S \* 10/2020 Huang ..... D24/215  
2015/0133792 A1 \* 5/2015 Spahn ..... A61B 5/7425  
600/474  
2018/0200141 A1 \* 7/2018 Wersland ..... A61H 23/0254  
2019/0231195 A1 \* 8/2019 Spahn ..... A61B 5/0077  
2019/0254921 A1 \* 8/2019 Marton ..... A61H 23/006  
2020/0069510 A1 \* 3/2020 Wersland ..... A61H 23/00  
2020/0085675 A1 \* 3/2020 Lee ..... A61H 1/00  
2020/0214930 A1 \* 7/2020 Wersland ..... A61H 1/00  
2020/0261307 A1 \* 8/2020 Wersland ..... A61H 1/00  
2020/0268594 A1 \* 8/2020 Pepe ..... A61H 23/0254

\* cited by examiner

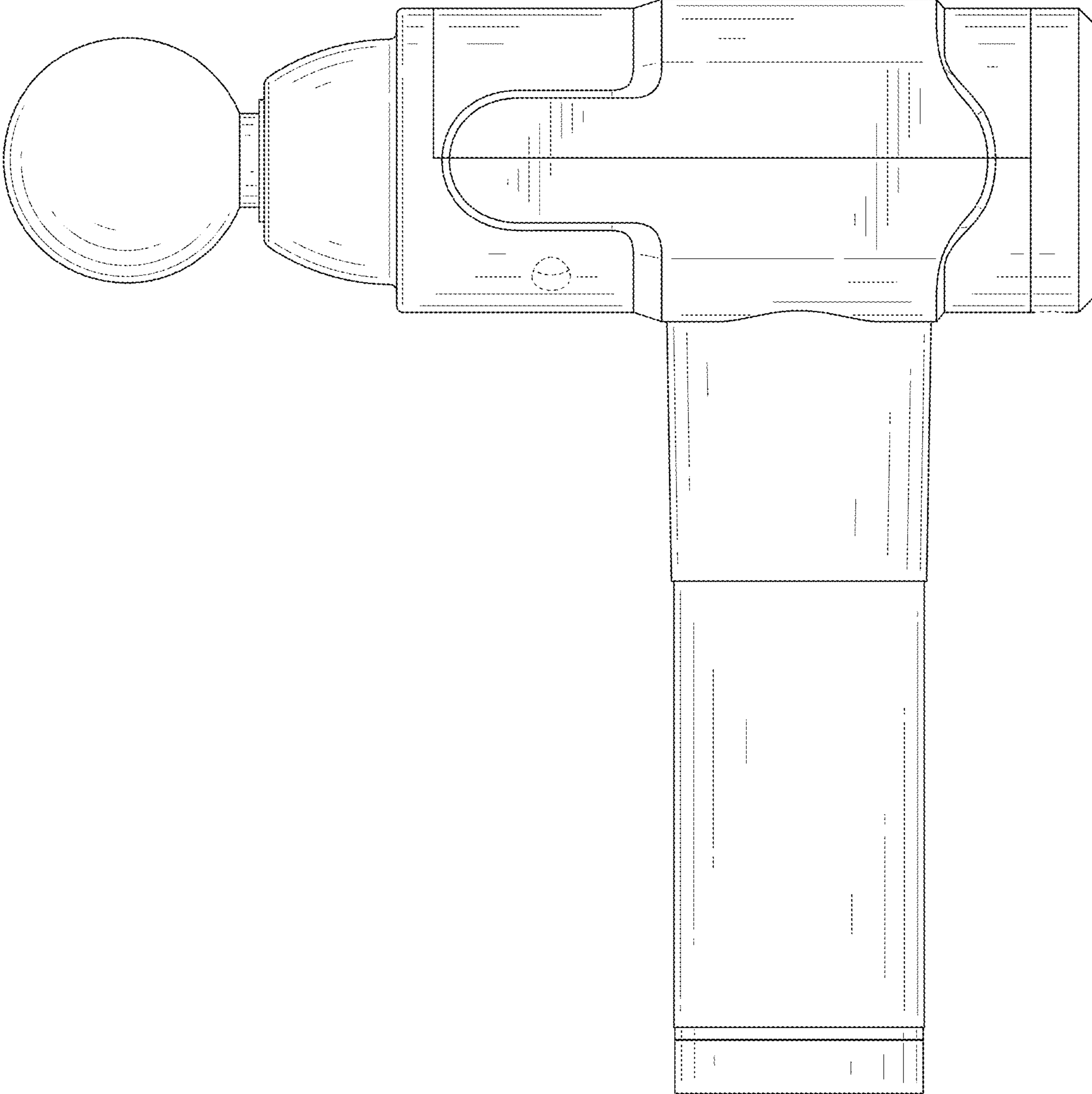


FIG. 1

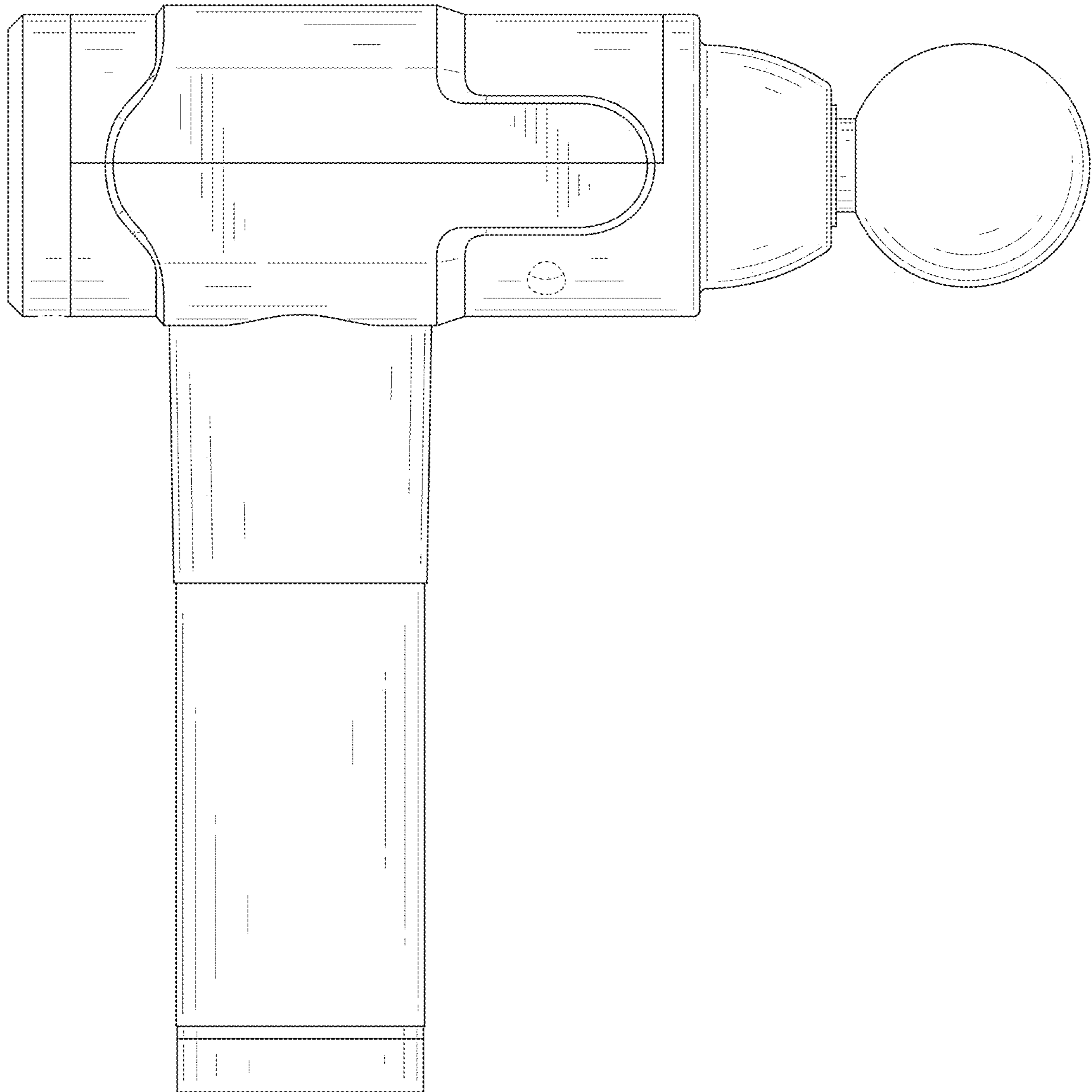


FIG. 2

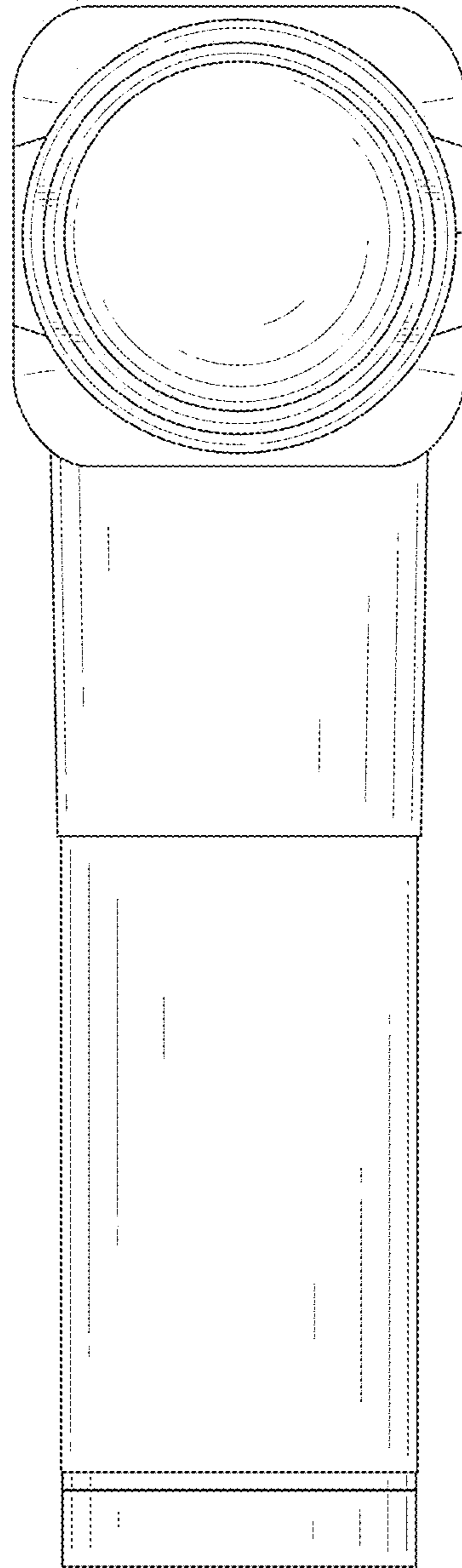


FIG. 3

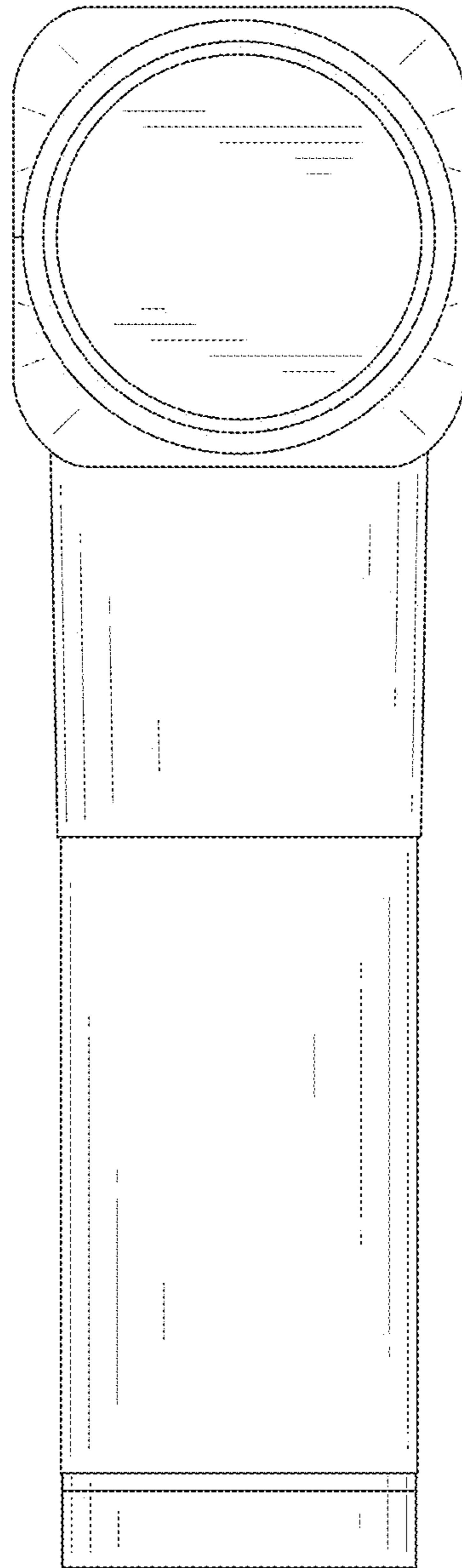


FIG. 4

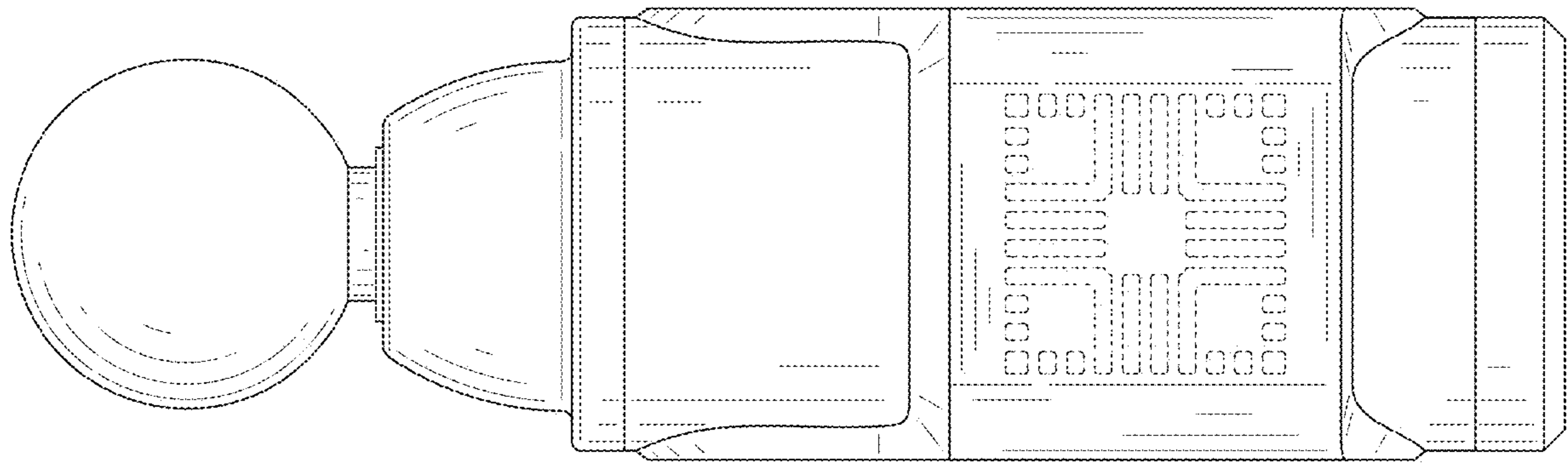


FIG. 5

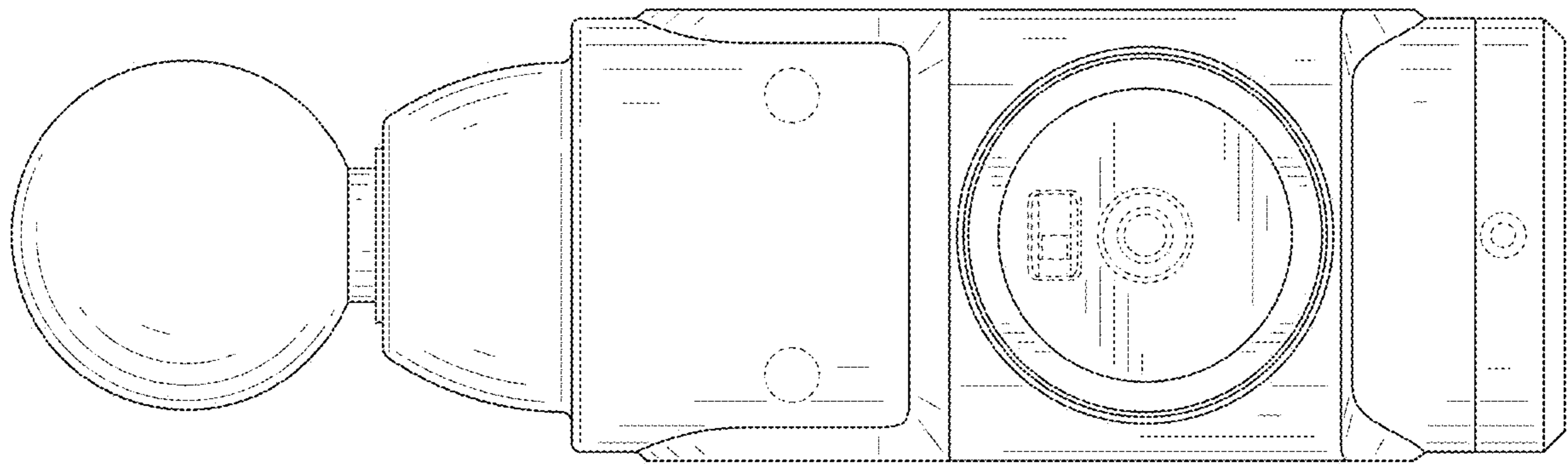


FIG. 6



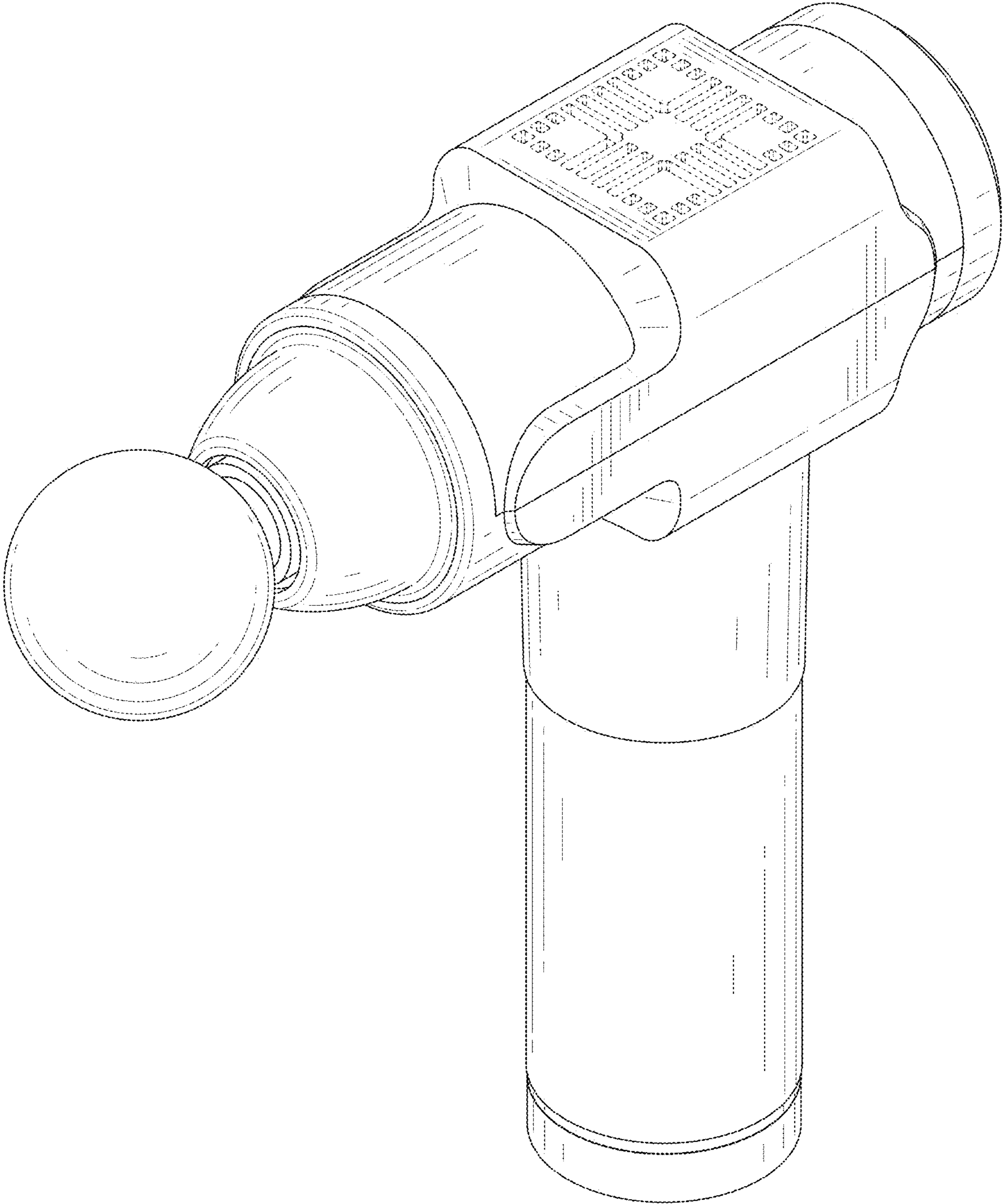


FIG. 7

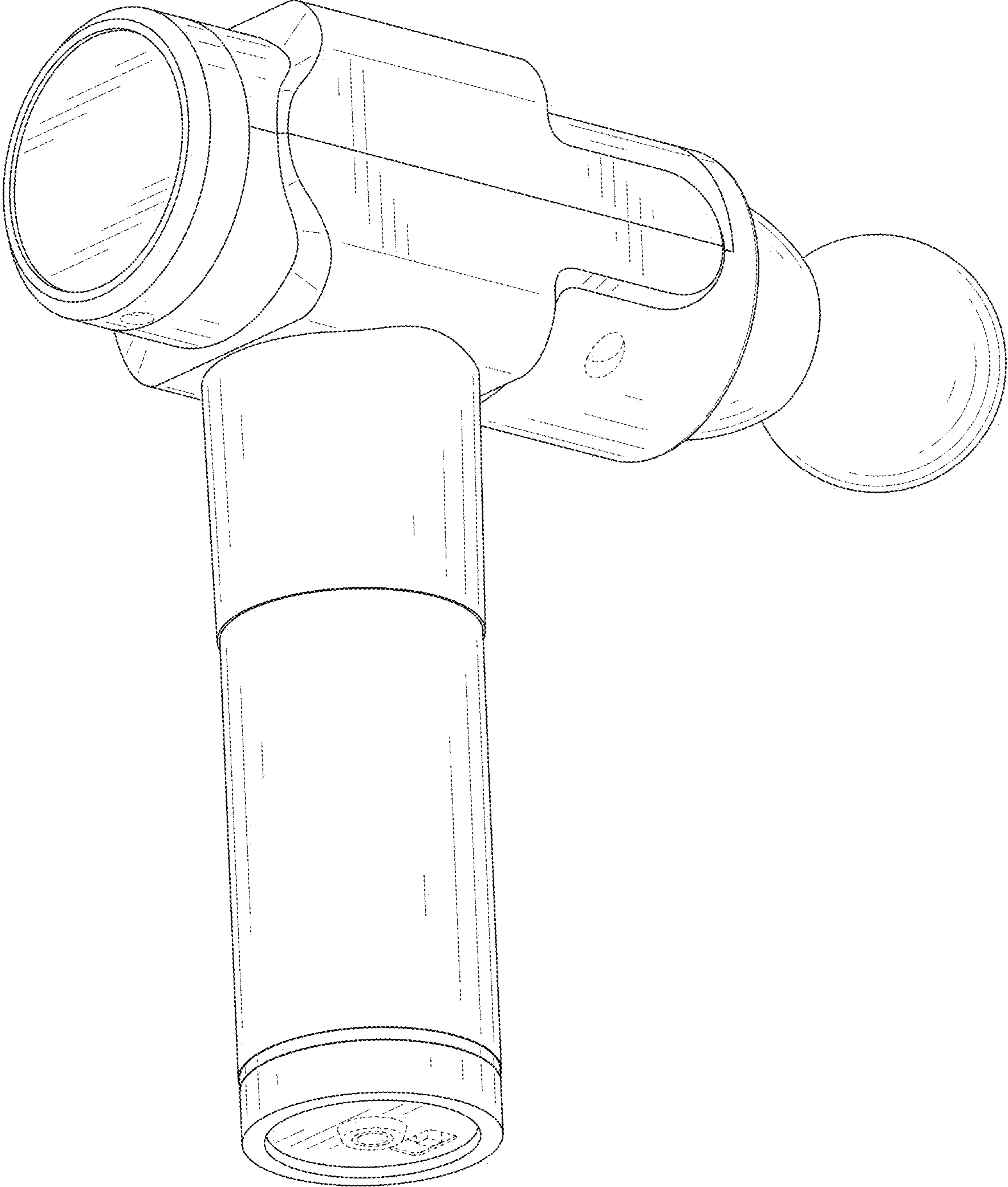


FIG. 8