



US00D906531S

(12) **United States Design Patent** (10) **Patent No.:** **US D906,531 S**
Lopez (45) **Date of Patent:** **** Dec. 29, 2020**

(54) **VIBRATION RING**

FOREIGN PATENT DOCUMENTS

(71) Applicant: **Queen City Boxes, Inc.**, New York, NY (US)

DE 20 2016 000 683 U1 2/2016

(72) Inventor: **Julia F. Lopez**, Laurence Harbor, NJ (US)

OTHER PUBLICATIONS

Unboundbabes, "Palma", Mar. 18, 2019. <https://unboundbabes.com/products/palma>. Shown on p. 1. (Year: 2019).*

(73) Assignee: **Queen City Boxes, Inc.**, New York, NY (US)

Primary Examiner — Cynthia Ramirez

Assistant Examiner — Michael A Maharajh

(**) Term: **15 Years**

(74) *Attorney, Agent, or Firm* — Florek & Endres PLLC

(21) Appl. No.: **29/661,584**

(22) Filed: **Aug. 29, 2018**

(57) **CLAIM**

(51) **LOC (12) Cl.** **28-03**

The ornamental design for a vibration ring, as shown and described.

(52) **U.S. Cl.**

USPC **D24/215**

(58) **Field of Classification Search**

USPC D24/200, 211, 212, 213, 214, 215

CPC A61H 19/32; A61H 19/50

See application file for complete search history.

DESCRIPTION

(56) **References Cited**

U.S. PATENT DOCUMENTS

6,907,883	B2 *	6/2005	Lin	A61F 5/41
					128/842
D523,958	S *	6/2006	Fang	D24/105
D552,748	S *	10/2007	Gromosaik	D11/26
D552,749	S *	10/2007	Gromosaik	D11/26
D552,750	S *	10/2007	Gromosaik	D11/26
D557,805	S *	12/2007	Gromosaik	D24/105
D557,806	S *	12/2007	Gromosaik	D24/105
D564,666	S *	3/2008	Klearman	D11/26
D581,544	S *	11/2008	Adams	D24/105
D643,129	S *	8/2011	Talbot	D24/215
D674,477	S *	1/2013	Beresford-Wylie	D24/105
D674,910	S *	1/2013	Adams	D24/215
D676,141	S *	2/2013	Wu	D24/215
D684,701	S *	6/2013	Uygur	D24/215
D694,897	S *	12/2013	Small	D24/215
D702,363	S *	4/2014	Tai	D24/215
D704,346	S *	5/2014	Tai	D24/215

(Continued)

FIG. 1 is a top perspective view of the vibration ring of the present invention.

FIG. 2 is a bottom perspective view of the vibration ring of the present invention.

FIG. 3 is a top plan view of the vibration ring of the present invention.

FIG. 4 is a bottom plan view of the vibration ring of the present invention.

FIG. 5 is a left side elevation of the vibration ring of the present invention.

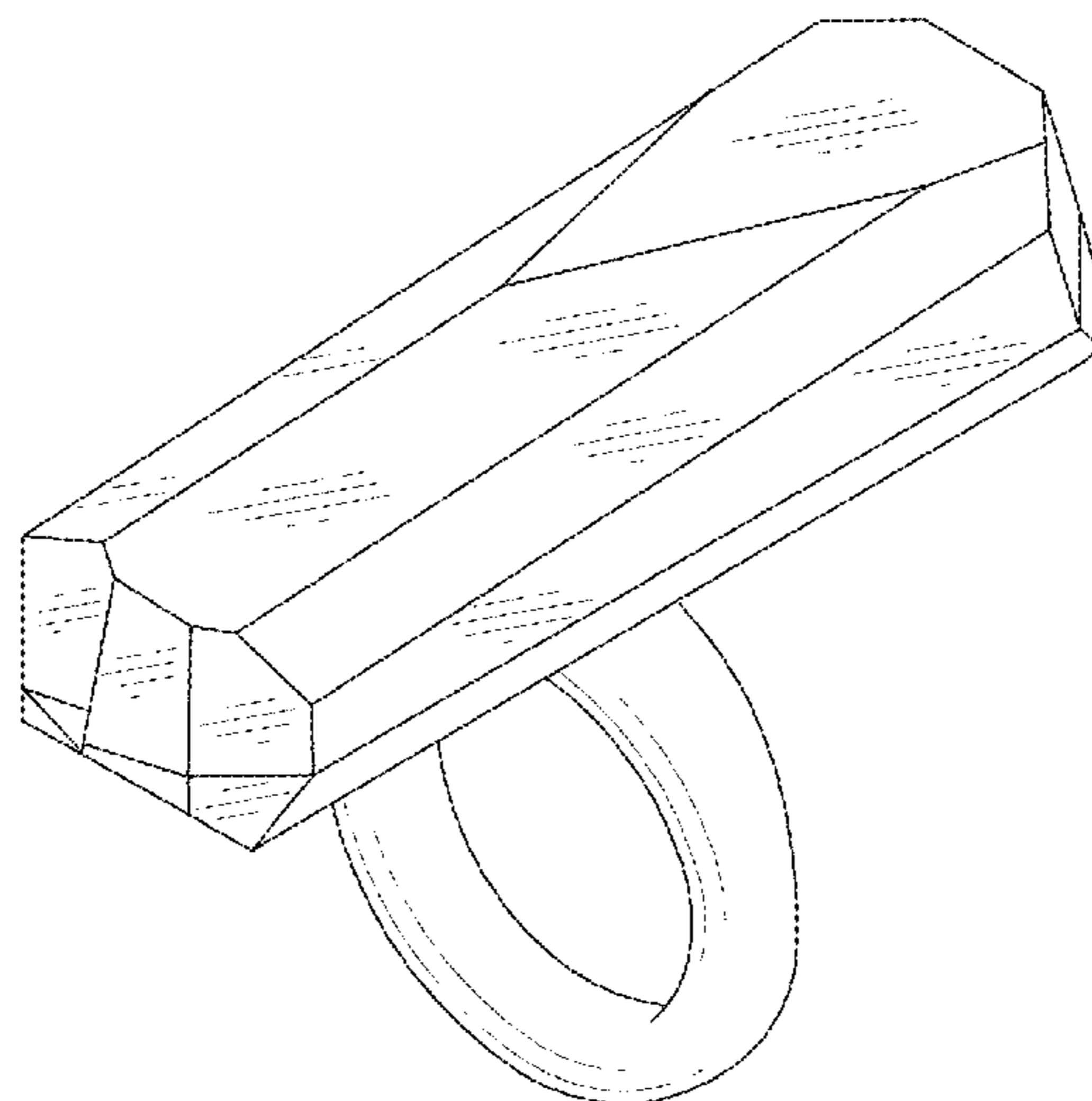
FIG. 6 is a right side elevation of the vibration ring of the present invention.

FIG. 7 is a rear elevation of the vibration ring of the present invention; and,

FIG. 8 is a front elevation of the vibration ring of the present invention.

The broken lines shown in the drawings are for the purposes of illustrating portions of the vibration ring, which form no part of the claimed design.

1 Claim, 8 Drawing Sheets



(56)

References Cited

U.S. PATENT DOCUMENTS

D704,347 S *	5/2014	Tai	D24/215	2007/0118199 A1*	5/2007	Yang	A61H 19/00
D706,436 S *	6/2014	Hahr	D24/215					607/143
D706,437 S *	6/2014	Hahr	D24/215	2009/0012355 A1*	1/2009	Lin	A61H 19/50
D706,438 S *	6/2014	Hahr	D24/215					600/41
D706,439 S *	6/2014	Hahr	D24/215	2009/0069629 A1*	3/2009	Uson Calvo	A61H 19/34
D706,443 S *	6/2014	Hahr	D24/215					600/38
D707,840 S *	6/2014	Levine	D24/215	2009/0306468 A1*	12/2009	Tasker	A61H 19/50
D707,841 S *	6/2014	Levine	D24/215					600/41
D725,283 S *	3/2015	Sedic	D24/215	2009/0318755 A1*	12/2009	Adams	A61F 5/41
D727,526 S *	4/2015	Mercado Diaz	D24/215					600/41
D742,535 S *	11/2015	Wu	D24/215	2012/0259254 A1*	10/2012	Chen	A61H 19/40
D752,298 S *	3/2016	Stephens	D30/199					601/46
D771,270 S *	11/2016	Tai	D24/215	2015/0157531 A1*	6/2015	Sedic	A61H 19/32
D771,831 S *	11/2016	Barnard	D24/215					601/46
D773,066 S *	11/2016	Sedic	D24/215	2015/0313749 A1*	11/2015	Hahr	A61H 19/50
D793,571 S *	8/2017	Iurchenko	D24/215					600/39
D808,034 S *	1/2018	Matsuura	D24/215	2016/0106569 A1*	4/2016	Hahr	A61F 5/41
D824,037 S *	7/2018	Yueh	D24/215					600/41
2002/0103415 A1*	8/2002	Manska	A61H 19/32	2017/0042757 A1*	2/2017	Wang	A61H 19/34
				600/38	2018/0193221 A1*	7/2018	Li	A61H 19/32
2005/0283044 A1*	12/2005	Chang	A61F 5/41	2018/0193620 A1*	7/2018	Barasch	A61H 19/32
				600/38	2020/0069511 A1*	3/2020	Lopez	G06F 3/016
					2020/0093685 A1*	3/2020	Luke	A61H 1/00

* cited by examiner

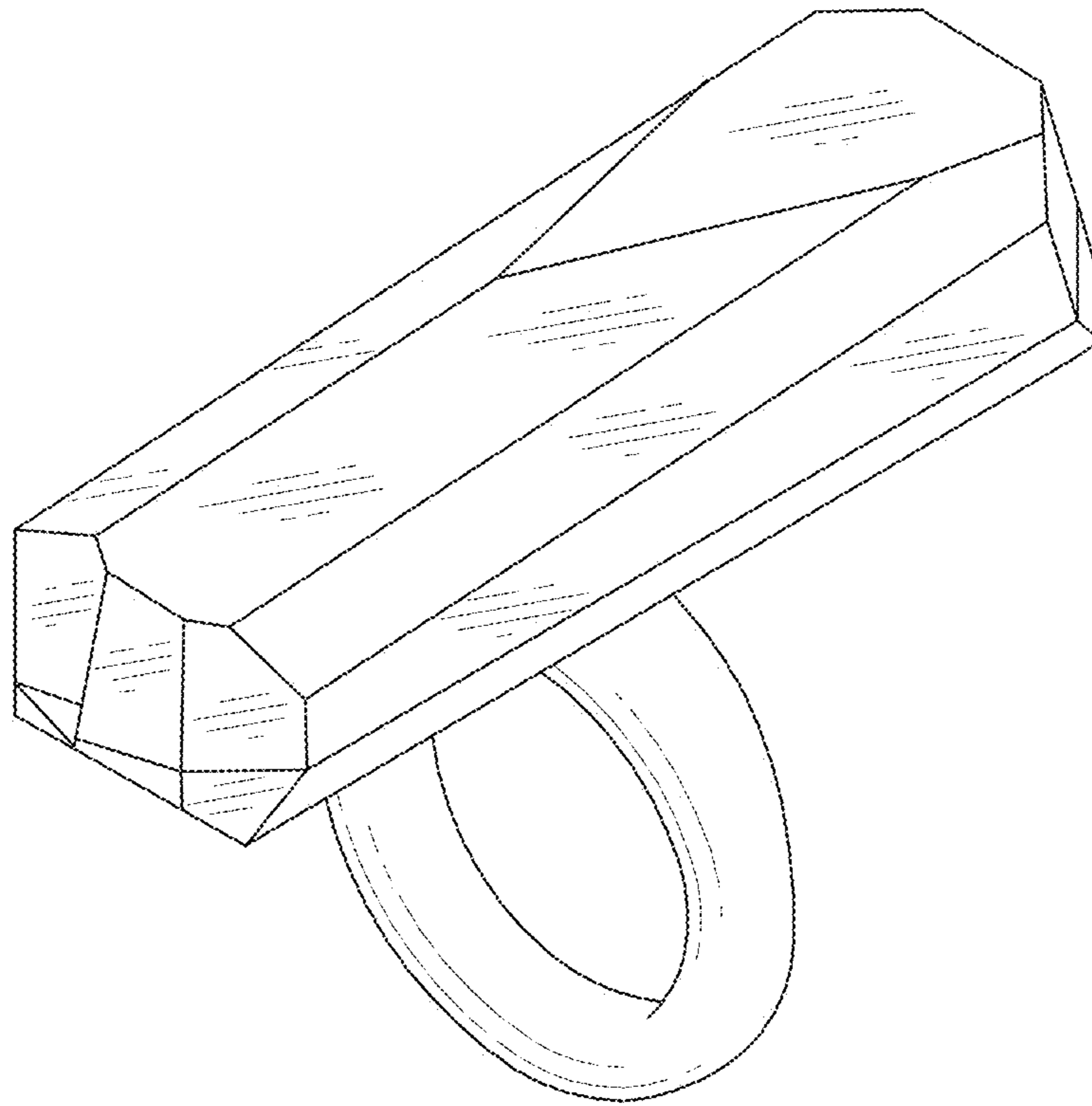


FIG. 1

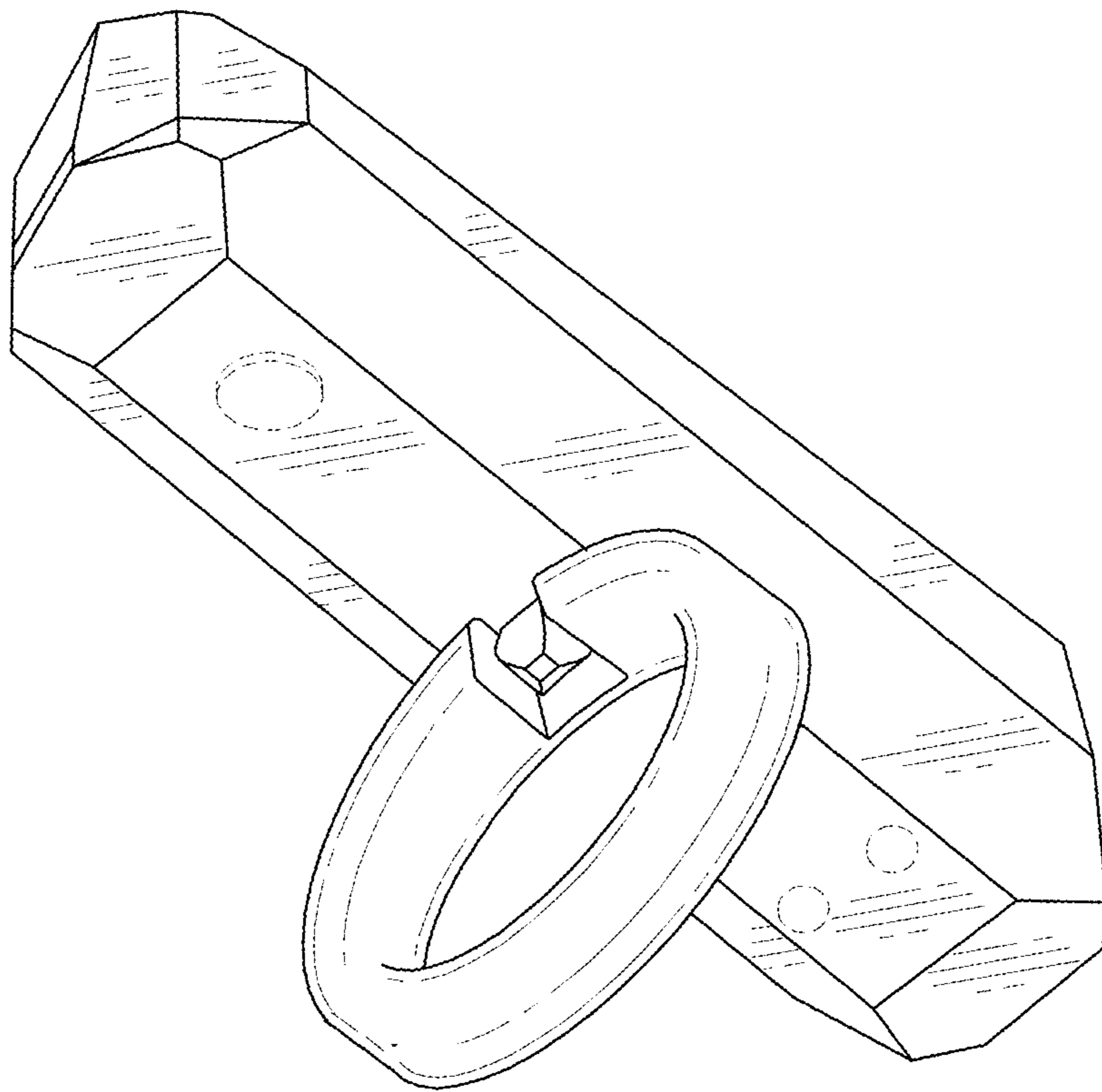


FIG. 2

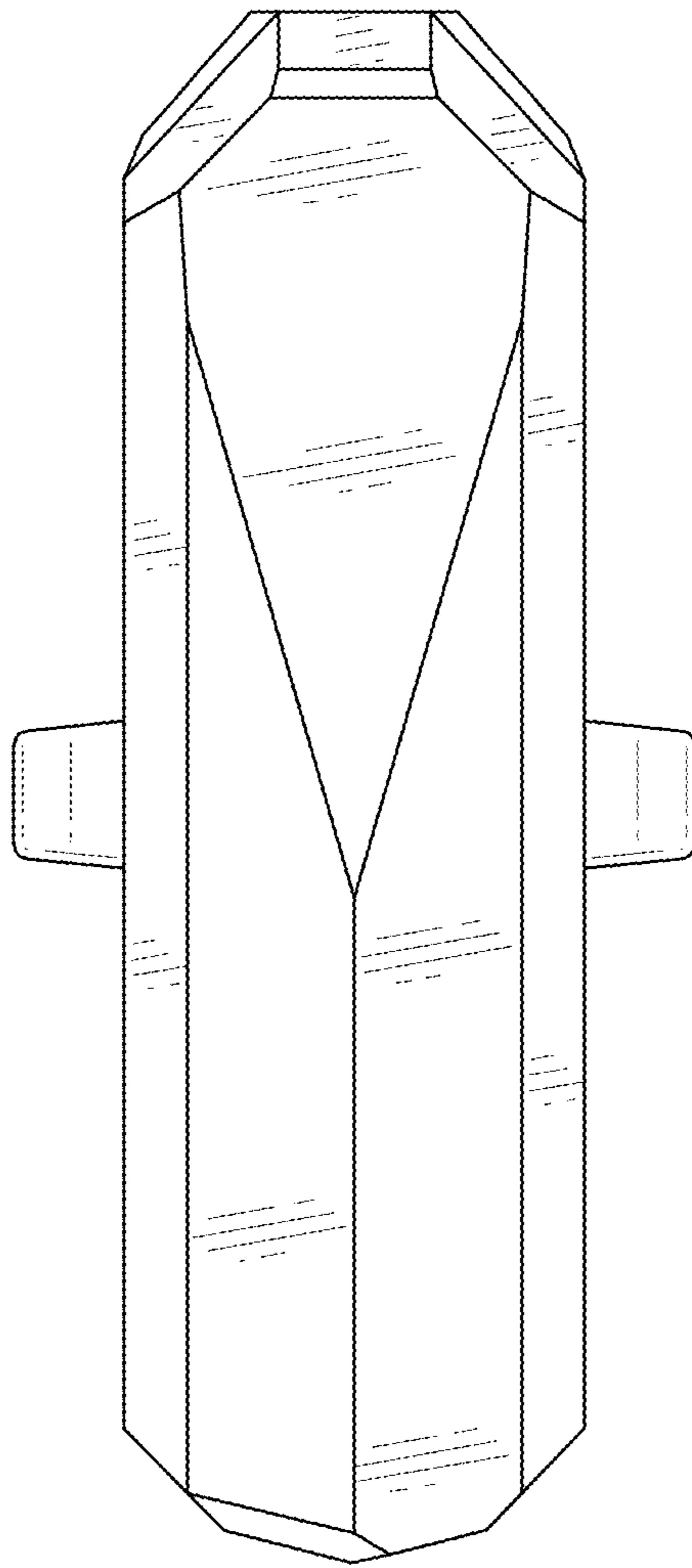


FIG. 3

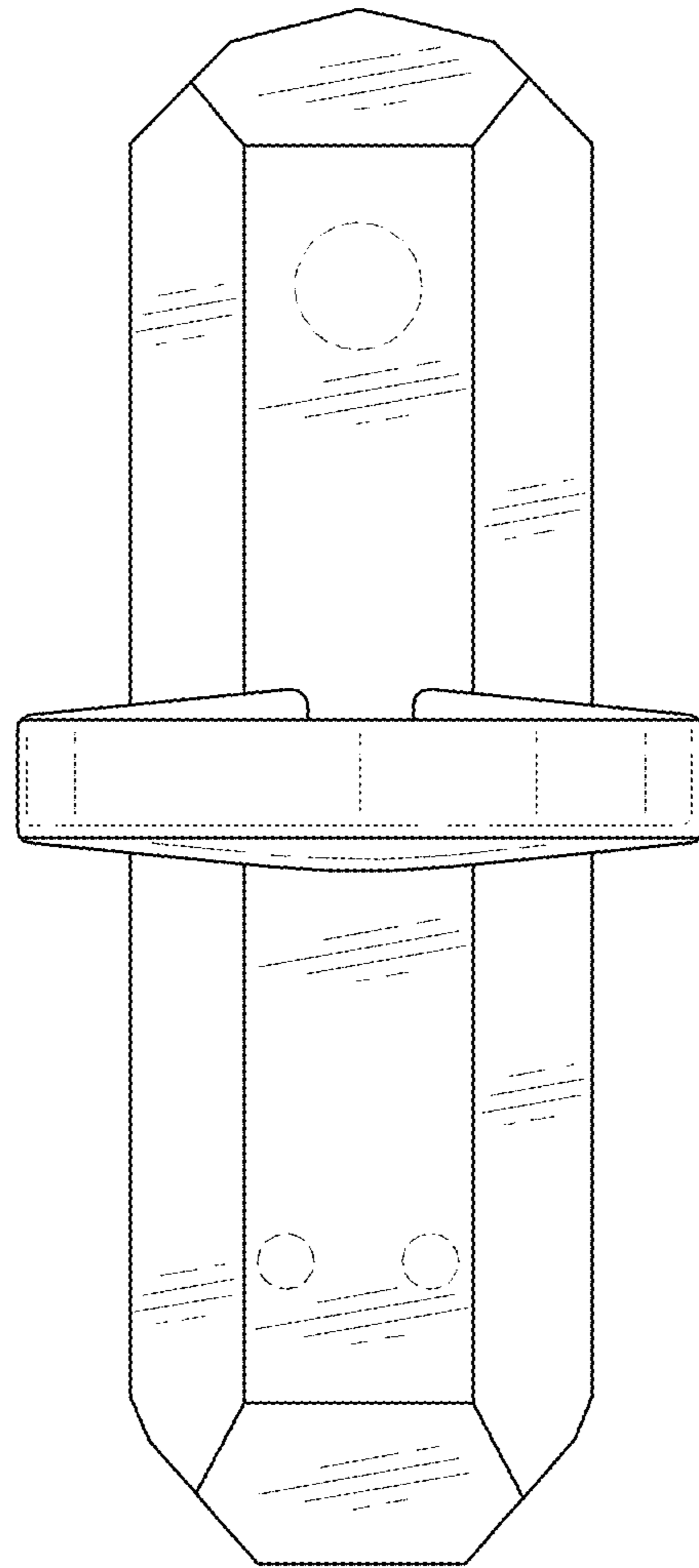


FIG. 4

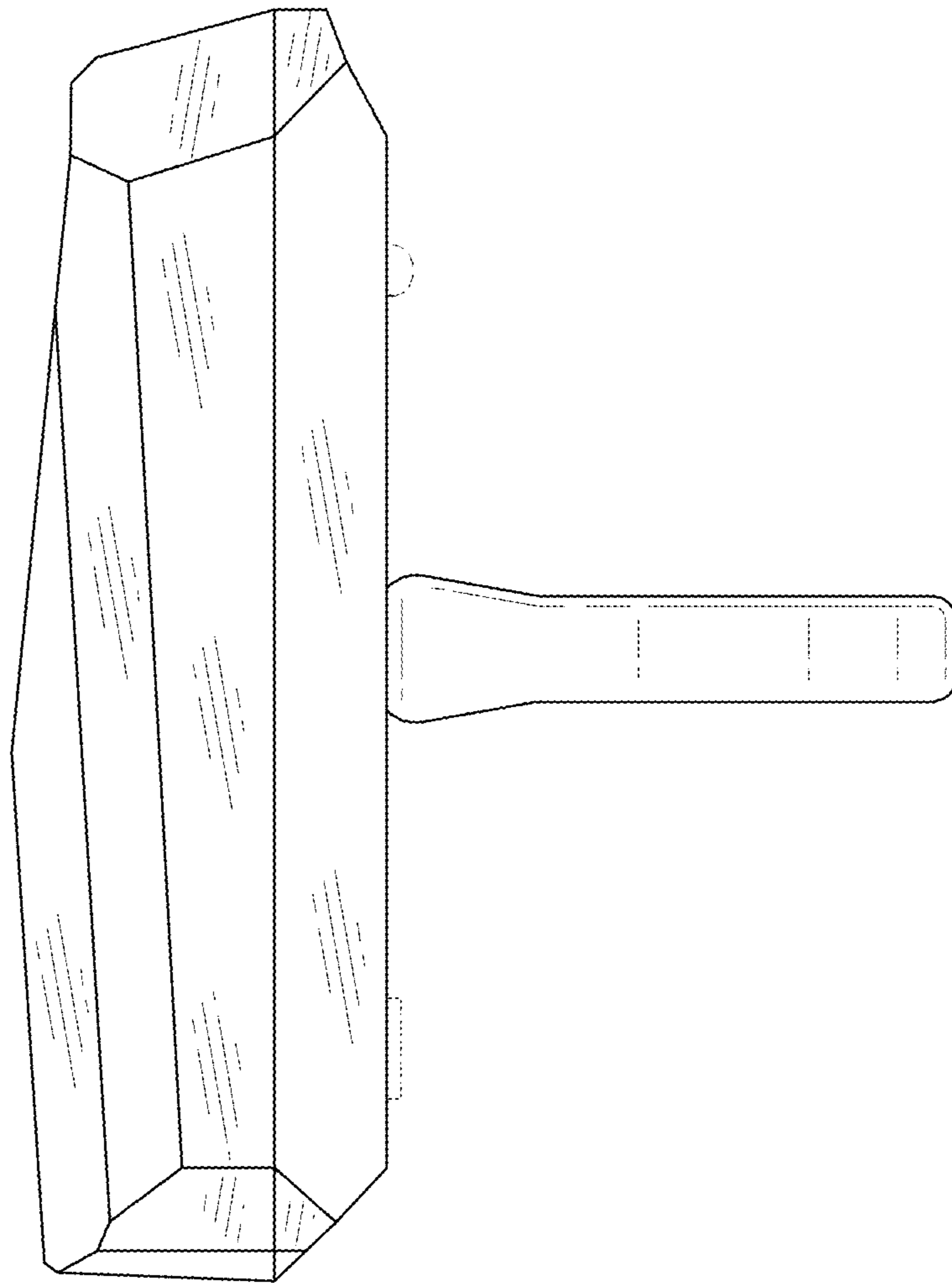


FIG. 5

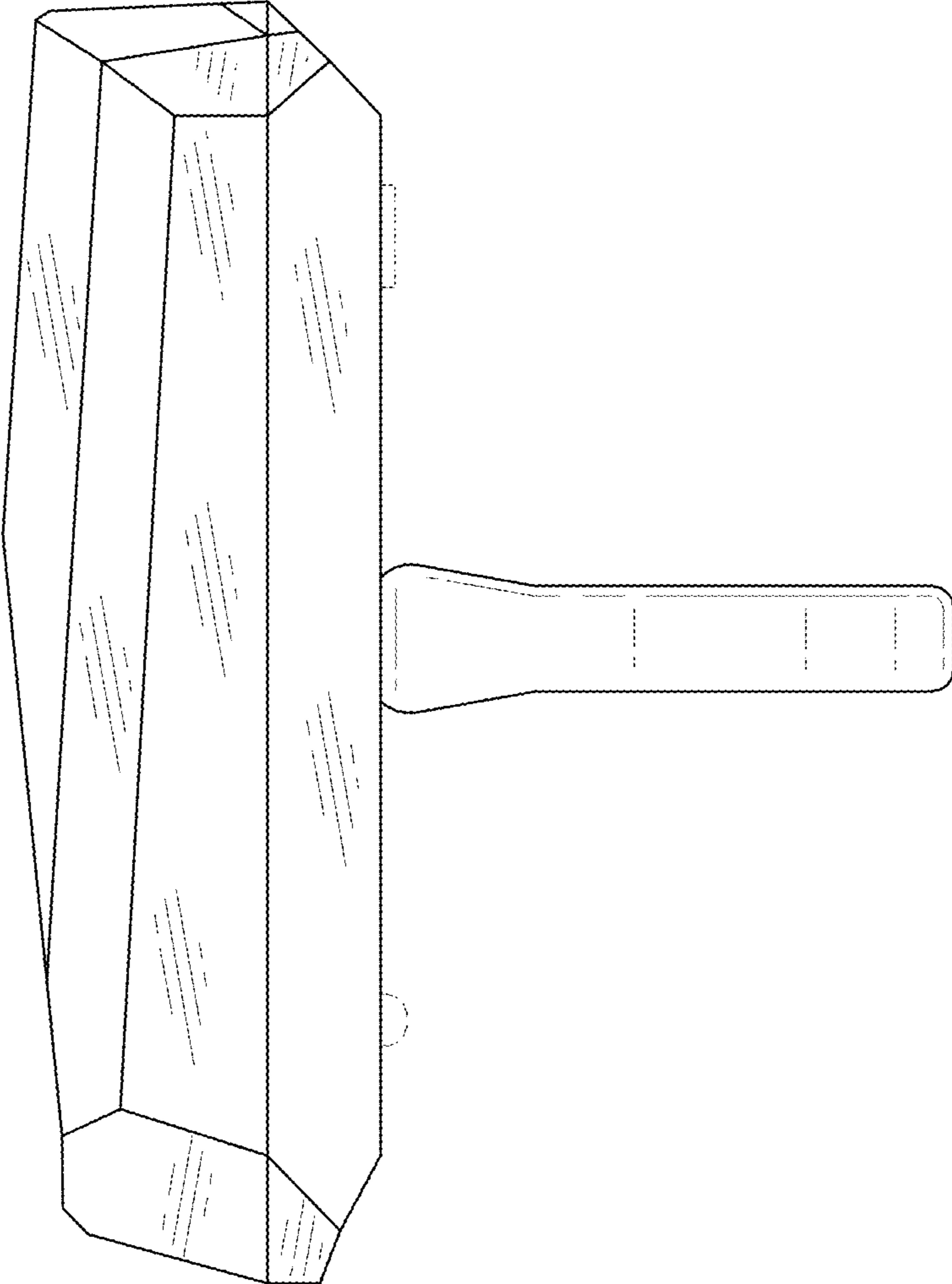


FIG. 6

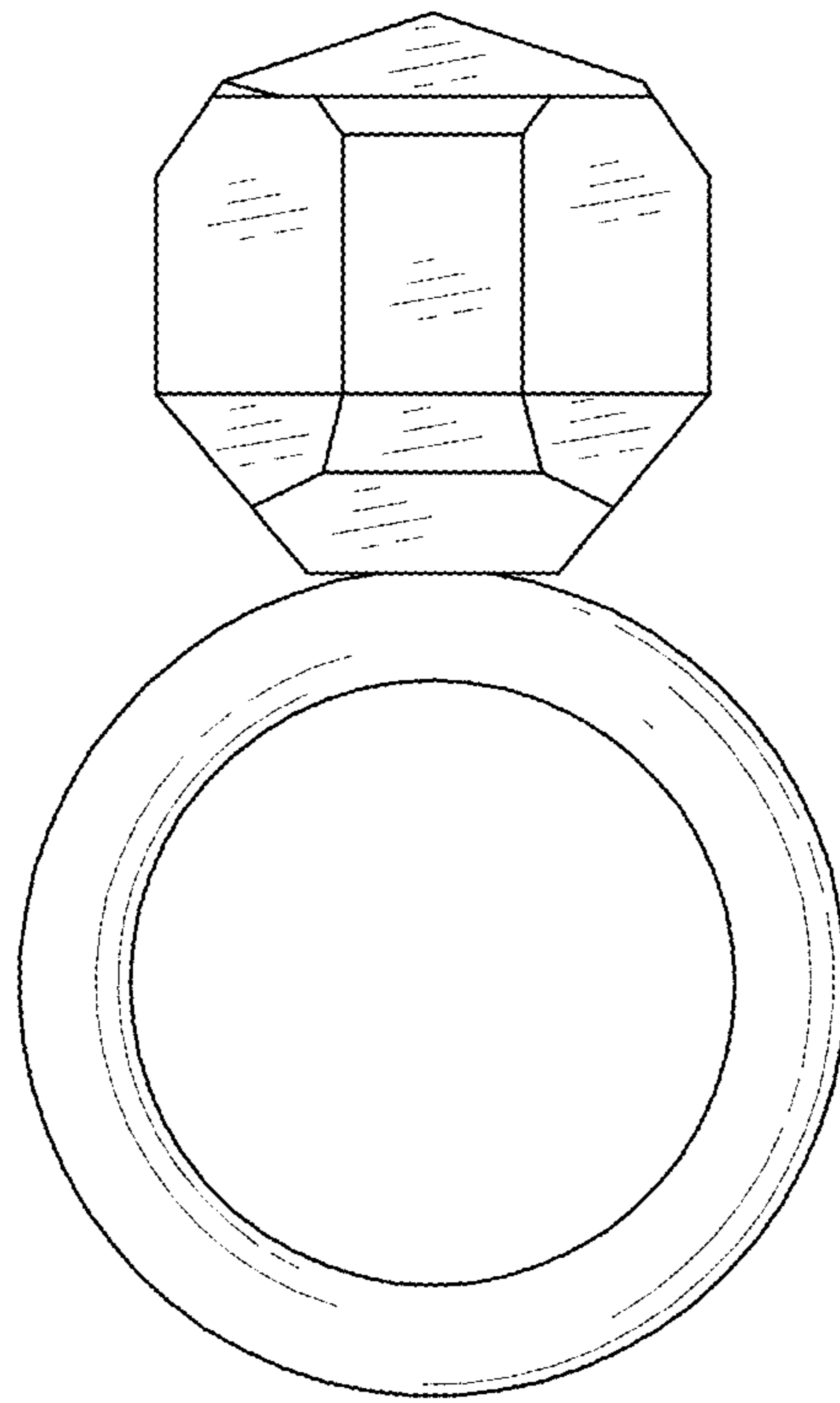


FIG. 7

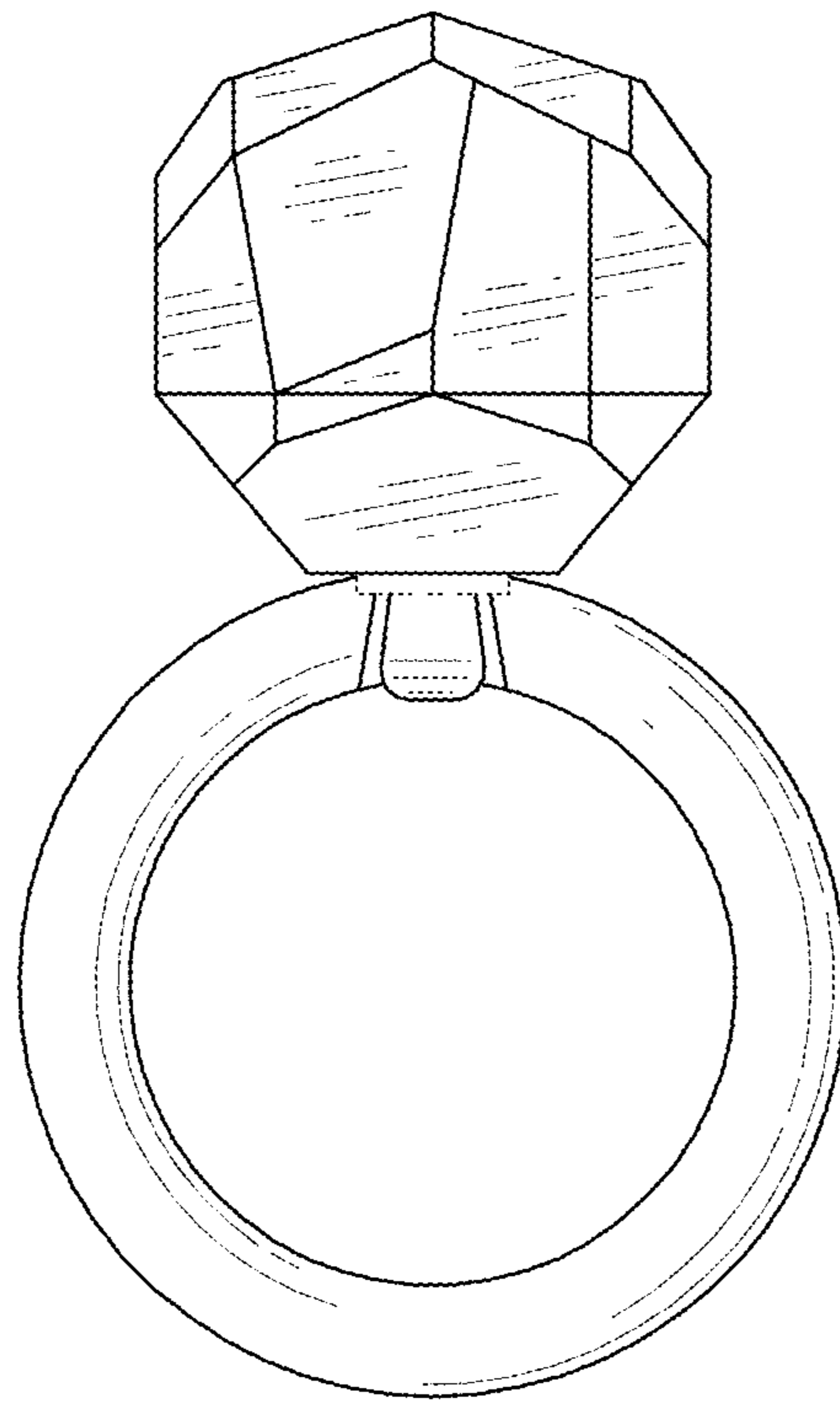


FIG. 8