



US00D906527S

(12) **United States Design Patent**
Igaue et al.

(10) **Patent No.:** **US D906,527 S**
(45) **Date of Patent:** **** Dec. 29, 2020**

(54) **WARMER**

(71) Applicant: **KOBAYASHI Healthcare International Inc.**, Dalton, GA (US)

(72) Inventors: **Tsuyoshi Igaue**, Dalton, GA (US);
Daisaku Nagaike, Dalton, GA (US)

(73) Assignee: **KOBAYASHI Healthcare International Inc.**, Dalton, GA (US)

(**) Term: **15 Years**

(21) Appl. No.: **29/744,464**

(22) Filed: **Jul. 29, 2020**

Related U.S. Application Data

(62) Division of application No. 29/676,566, filed on Jan. 11, 2019, now Pat. No. Des. 899,611.

(51) **LOC (12) Cl.** **24-04**

(52) **U.S. Cl.**
USPC **D24/206**

(58) **Field of Classification Search**

USPC D24/200–207, 208–215, 194, 187–189,
D24/183, 184, 188–192, 118; D9/756,
D9/414, 424, 432, 668, 702, 703, 707,
D9/709–711, 569; D6/616, 601, 604,
D6/622, 582, 583, 592, 596, 595, 605,
D6/606; D5/1, 2, 25, 53, 57, 61;
D12/203, 212, 221; D7/550.1;
D32/55–58; D30/145; D21/191, 302,
D21/306, 671, 686, 784, 797, 798, 803,
D21/809; D19/67–69; D25/141, 143,
D25/147, 152, 157, 163; D29/113, 101.5,
D29/120.1, 121.1, 707; D27/139, 141,
D27/144, 152, 154, 159; D3/327;
D23/314, 316, 332, 351, 355, 364, 366,
D23/77; 601/15, 40, 64; 602/2, 7;
606/27
CPC A61F 7/00; A61F 7/02; A61F 2007/0021;
A61F 2007/0001; A61F 7/007; A61F
7/034; A61F 7/0085; A61F 2007/0036;

A61F 2007/0078; A61F 2007/0085; A61F
2007/0087; A61N 1/025; A61N 1/06;
A61N 1/26; A61N 1/3603; A61N
1/36031; A61N 1/36034; A61H 1/0218;
A61H 39/00; A61H 39/04; A61H 15/00;
A61H 7/001–003; A61H 39/02; A61H
39/08; A63F 2300/1068; A43B 3/108;
A47G 27/02; A47K 3/002; A47K 3/04;
A47K 3/003; A47L 23/22; B60N 3/04;
B60N 3/044; B60N 3/048; H05B 1/0288

See application file for complete search history.

(56) **References Cited**

U.S. PATENT DOCUMENTS

754,329 A 3/1904 Milliken
D167,743 S 9/1952 Dorfman
4,462,224 A 7/1984 Dunshee et al.
4,700,706 A 10/1987 Munch
D321,761 S 11/1991 Shimizu

(Continued)

Primary Examiner — T Chase Nelson

Assistant Examiner — Kelly L Gross

(74) *Attorney, Agent, or Firm* — Sterne, Kessler,
Goldstein & Fox P.L.L.C.

(57) **CLAIM**

The ornamental design for a warmer, as shown and described.

DESCRIPTION

FIG. 1 is a top perspective view of a warmer showing the claimed design;

FIG. 2 is a bottom perspective view thereof;

FIG. 3 is a top view thereof;

FIG. 4 is a bottom view thereof;

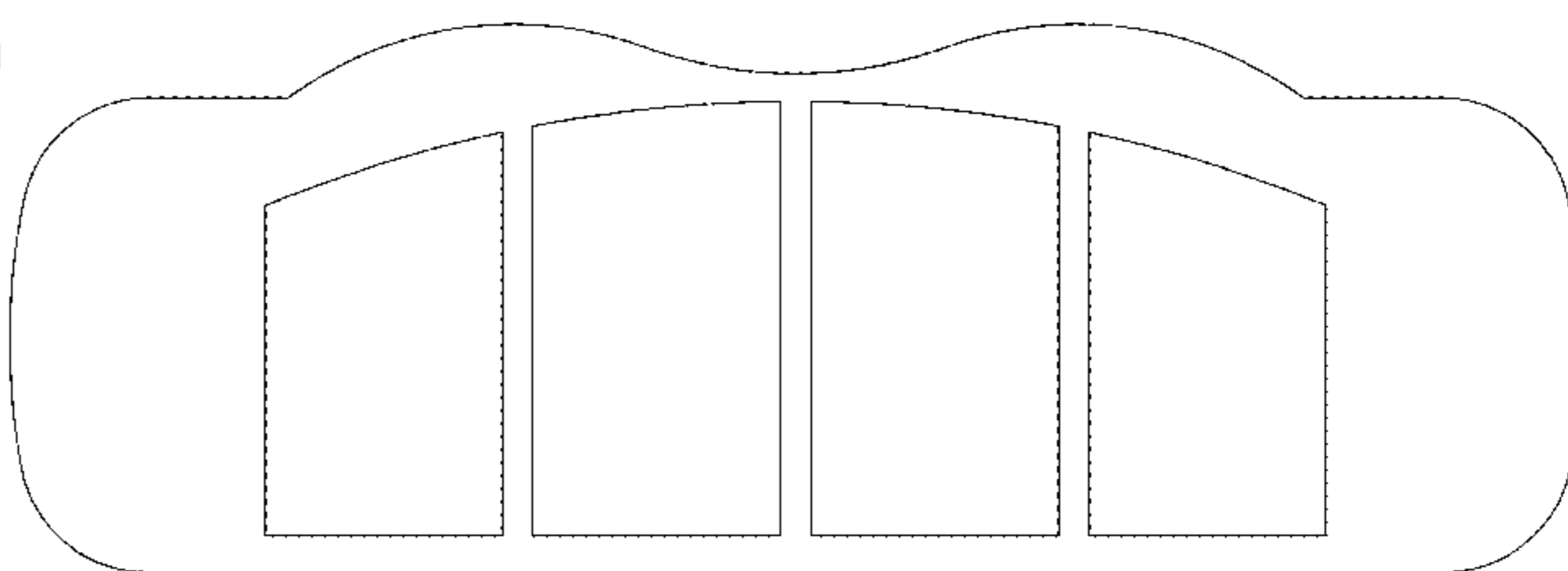
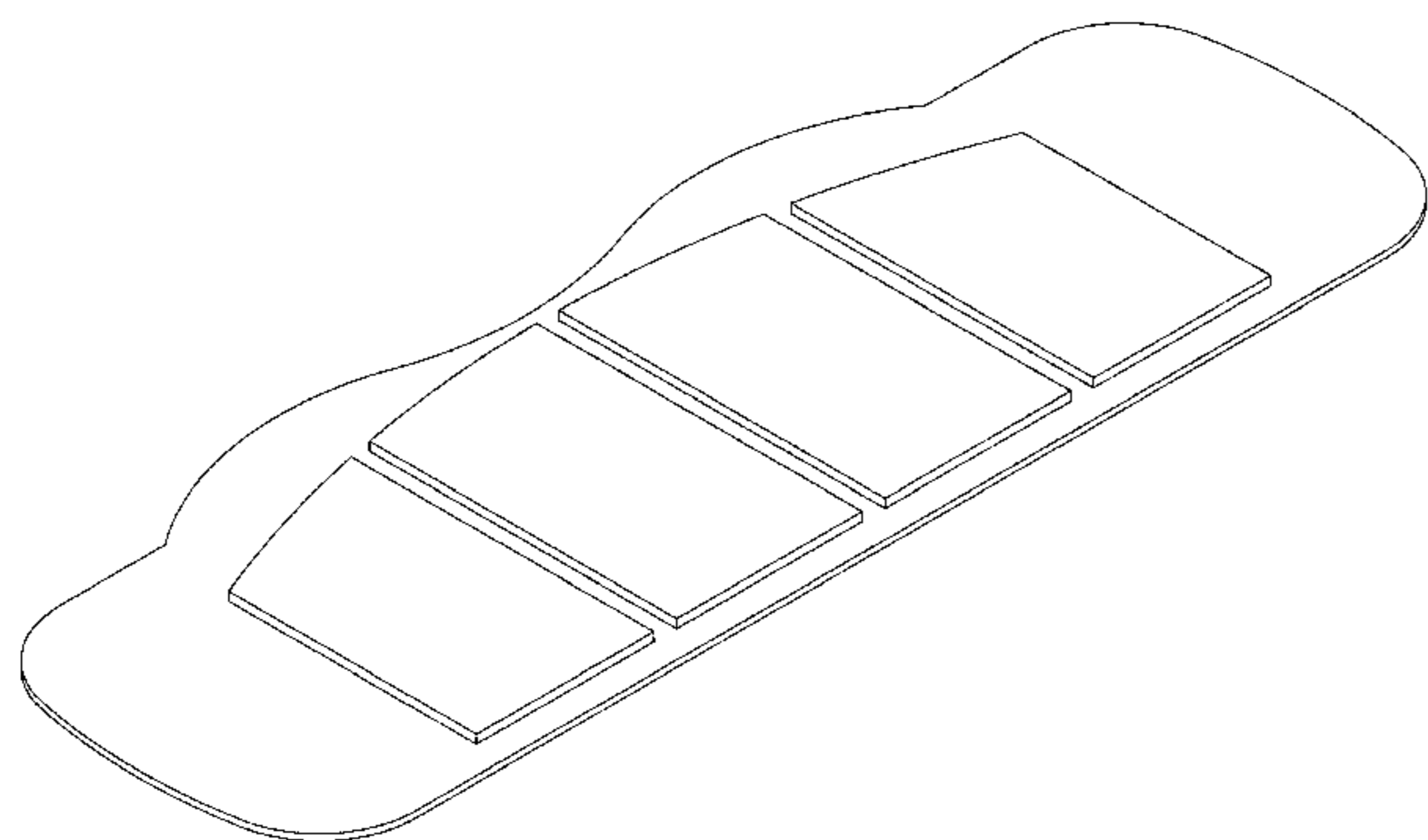
FIG. 5 is a right side view thereof;

FIG. 6 is a left side view thereof;

FIG. 7 is a front view thereof; and,

FIG. 8 is a rear view thereof.

1 Claim, 5 Drawing Sheets



(56)

References Cited

U.S. PATENT DOCUMENTS

D327,329 S	6/1992	Hubbard et al.	D613,181 S	4/2010	Friedland et al.
D328,792 S	8/1992	Salmon et al.	D620,787 S	8/2010	Moriya
D342,790 S	12/1993	Zona	D627,076 S	11/2010	Matsuo et al.
5,336,255 A	8/1994	Kanare et al.	D627,078 S	11/2010	Matsuo et al.
D354,349 S	1/1995	Grein	D628,004 S	11/2010	Moorefield
D372,984 S	8/1996	Jordan	D628,705 S	12/2010	Usui et al.
D417,007 S	11/1999	Davis et al.	D628,706 S	12/2010	Usui et al.
D420,746 S	2/2000	Cardy	D629,914 S	12/2010	Hunter
D435,910 S	1/2001	Davis et al.	D636,498 S	4/2011	Smith
D467,006 S	12/2002	Knight et al.	D656,235 S	3/2012	Howell
D469,878 S	2/2003	Davis et al.	D658,187 S	4/2012	Diebel
D472,321 S	3/2003	Davis et al.	8,261,734 B2	9/2012	Dodo
D474,544 S	5/2003	Hoglund et al.	D679,823 S	4/2013	Daniels et al.
D509,694 S	9/2005	Pitchford	D682,466 S	5/2013	Cantelmo
D526,720 S	8/2006	Dodo et al.	D683,035 S	5/2013	Dunshee et al.
D526,722 S	8/2006	Dodo et al.	D683,040 S	5/2013	Arsenault et al.
D527,829 S	9/2006	Dodo et al.	D685,489 S	7/2013	Nishioka et al.
D550,847 S	9/2007	Kixmiller	D703,826 S	4/2014	Nishioka et al.
D553,410 S	10/2007	Kramer	D704,850 S	5/2014	Nishioka et al.
D556,333 S	11/2007	Hoffman et al.	D706,944 S	6/2014	Igaue et al.
D571,015 S	6/2008	Freeland	8,807,127 B2	8/2014	Igaki et al.
D571,922 S	6/2008	Freeland	D713,966 S	9/2014	Hoonakker
D572,367 S	7/2008	Freeland	8,945,072 B2	2/2015	Oda et al.
D572,825 S	7/2008	Freeland	D726,391 S	4/2015	Clark
D572,826 S	7/2008	Freeland	D726,928 S	4/2015	Suzuki et al.
D574,503 S	8/2008	Reed et al.	D737,986 S	9/2015	Arbesman
D577,607 S	9/2008	Friedland et al.	D745,975 S	12/2015	Igaue et al.
D580,784 S	11/2008	Kila	D746,480 S	12/2015	Usui
D582,047 S	12/2008	Yim	D758,677 S	6/2016	Maniates et al.
D583,479 S	12/2008	Yim	D766,579 S	9/2016	Stegmeyer
D583,958 S	12/2008	Usui et al.	9,463,914 B2	10/2016	Andochick
D583,959 S	12/2008	Yim	D783,854 S	4/2017	Biser et al.
D587,811 S	3/2009	Uchiyama et al.	D787,080 S	5/2017	Baltazar
D587,812 S	3/2009	Uchiyama et al.	D797,943 S	9/2017	Long
D591,013 S	4/2009	Mose	D821,597 S	6/2018	Martinez
D593,682 S	6/2009	Freeland	D848,004 S	5/2019	Del Rossi et al.
D596,305 S	7/2009	Usui et al.	D851,270 S	6/2019	Biser et al.
D599,484 S	9/2009	Gray et al.	D857,218 S	8/2019	Fan et al.
D602,598 S	10/2009	Yim	D862,720 S	10/2019	Cutone
D609,357 S	2/2010	Yim	D863,562 S	10/2019	Hahn
D609,358 S	2/2010	Yim	D865,196 S	10/2019	Godfrey
D609,359 S	2/2010	Yim	D873,428 S	1/2020	Godfrey
D609,360 S	2/2010	Yim	D875,548 S	2/2020	Mahin et al.
			D875,958 S	2/2020	Emslander et al.
			D877,350 S	3/2020	Biser et al.
			2008/0200971 A1	8/2008	Dodo
			2009/0090346 A1	4/2009	Ajiri et al.
			2012/0143292 A1	6/2012	Matsuo

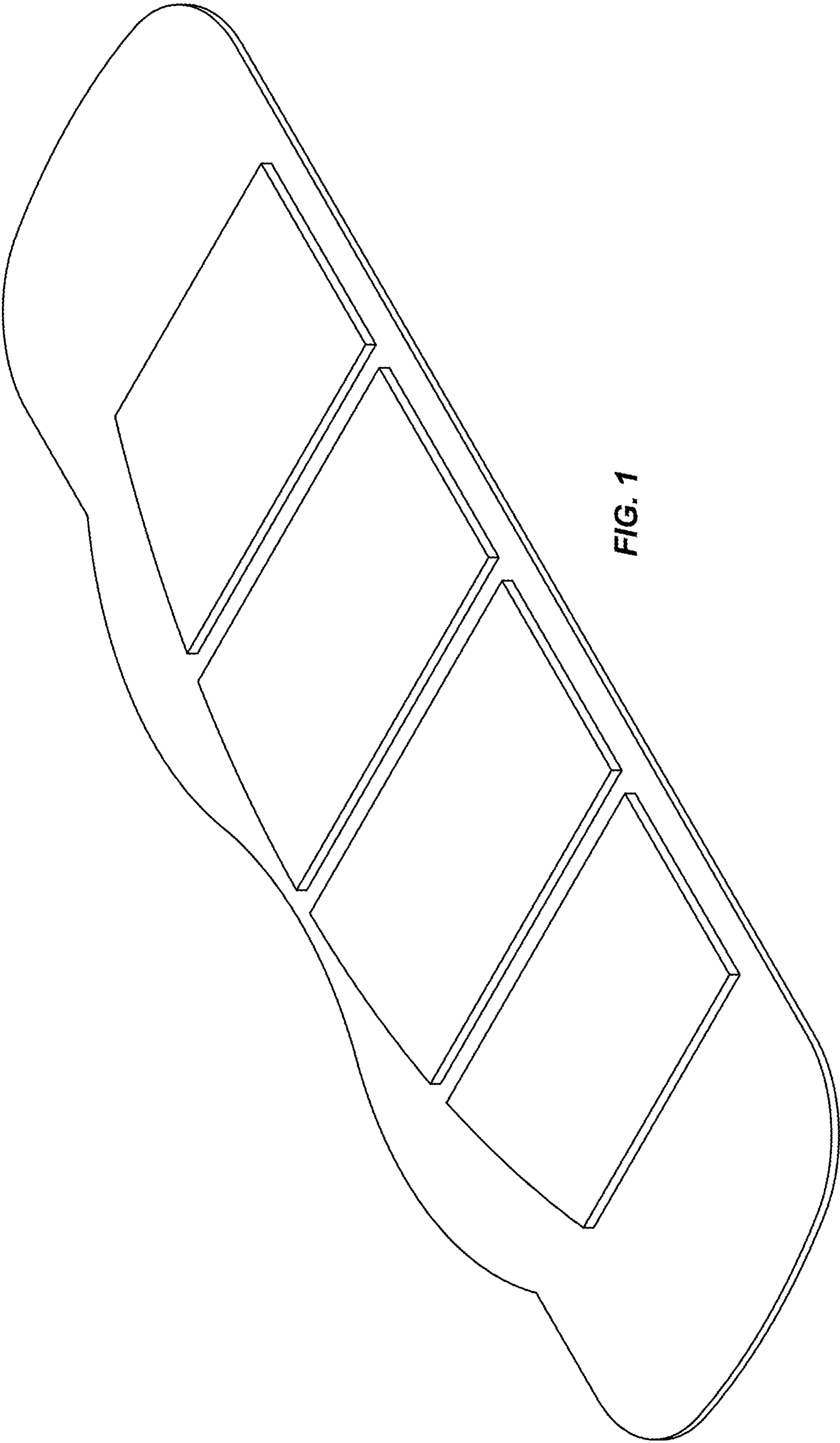


FIG. 1

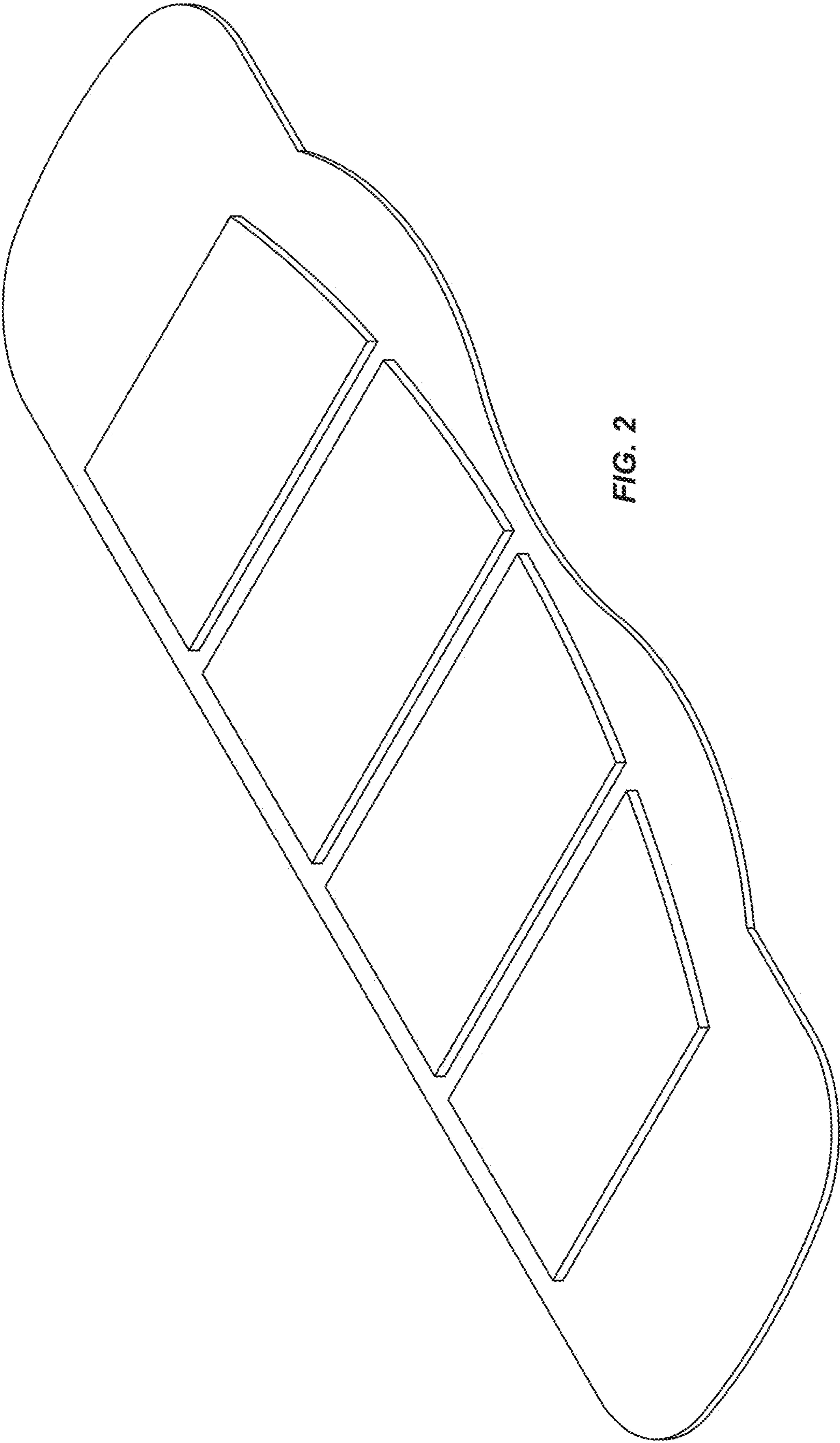


FIG. 2

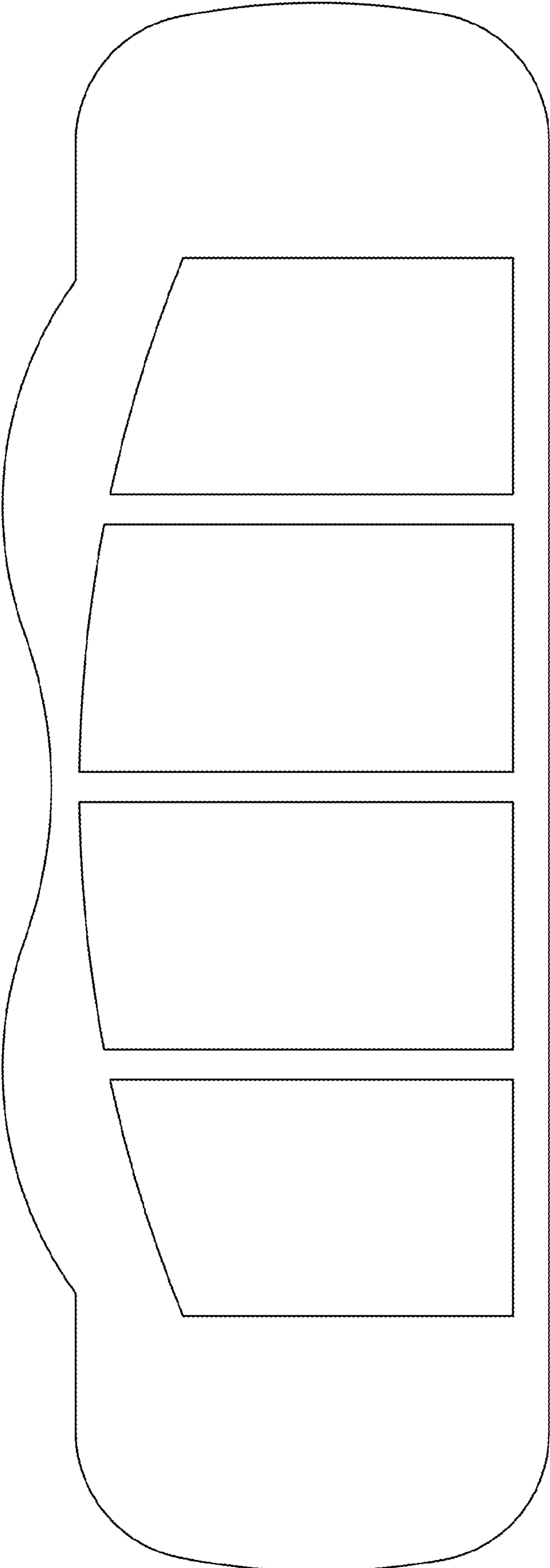


FIG. 3

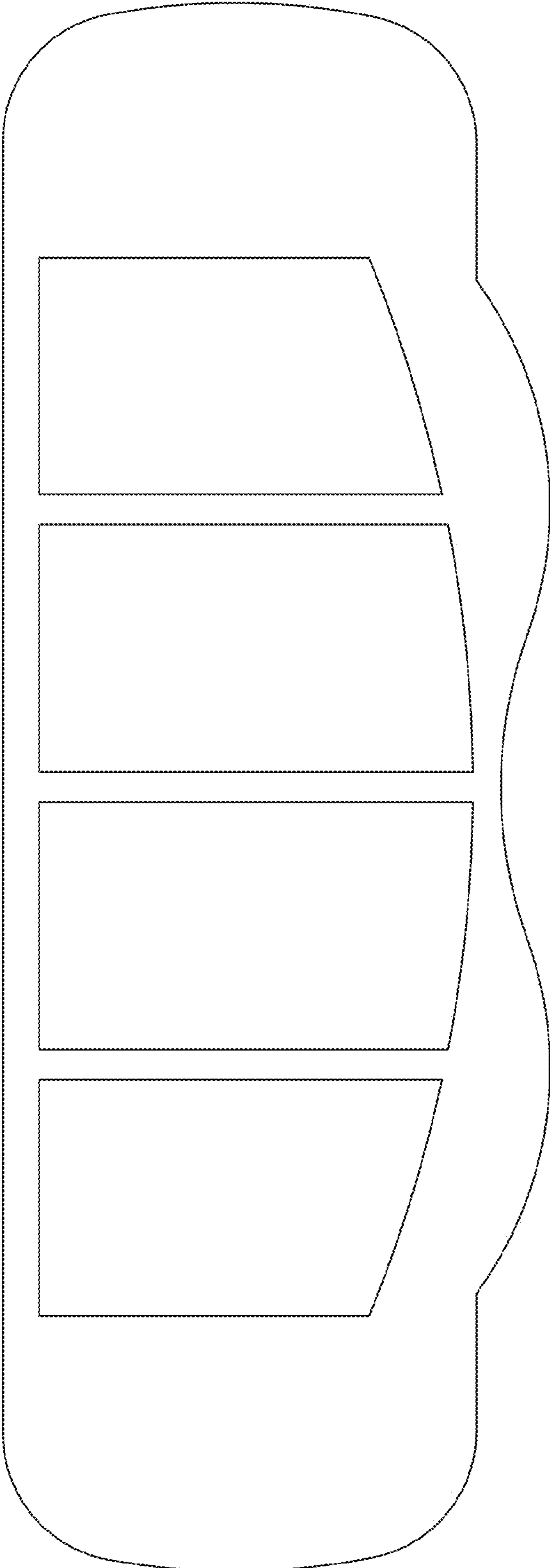


FIG. 4

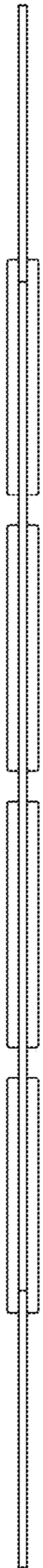


FIG. 5



FIG. 6



FIG. 8

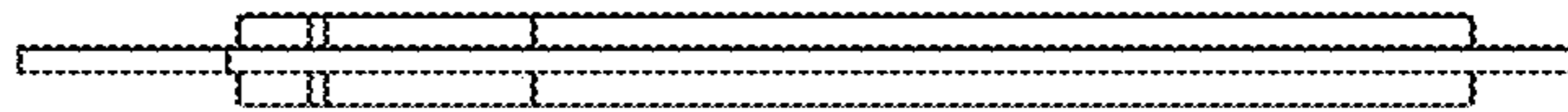


FIG. 7