



US00D906526S

(12) **United States Design Patent** (10) **Patent No.:** **US D906,526 S**  
**Wade et al.** (45) **Date of Patent:** **\*\* Dec. 29, 2020**

(54) **DIAGNOSTIC READER DEVICE**

D829,337 S \* 9/2018 Klein ..... D24/216  
10,449,538 B1 \* 10/2019 Carrano ..... B01L 3/50273  
2019/0204315 A1 \* 7/2019 Choi ..... G01N 33/497

(71) Applicant: **Alveo Technologies, Inc.**, Alameda, CA (US)

\* cited by examiner

(72) Inventors: **Daniel J. Wade**, Bay Point, CA (US);  
**Kyle William Montgomery**, Antioch, CA (US); **Shad Pierson**, Napa, CA (US); **Yuh-Min Chiang**, Sunnyvale, CA (US); **Ronald Phillip Chiarello**, Orinda, CA (US)

*Primary Examiner* — Anhdao Doan  
(74) *Attorney, Agent, or Firm* — Knobbe, Martens, Olson & Bear, LLP

(73) Assignee: **Alveo Technologies, Inc.**, Alameda, CA (US)

(57) **CLAIM**

The ornamental design for a diagnostic reader device, as shown and described.

(\*\*) Term: **15 Years**

**DESCRIPTION**

(21) Appl. No.: **29/674,352**

FIG. 1 is a top, front, and right side perspective view of a first embodiment of a diagnostic reader device;  
FIG. 2 is a bottom, rear, and left side perspective view thereof;  
FIG. 3 is a front elevation view thereof;  
FIG. 4 is a rear elevation view thereof;  
FIG. 5 is a top plan view thereof;  
FIG. 6 is a bottom plan view thereof;  
FIG. 7 is a left side elevation view thereof, the right side being a mirror image;  
FIG. 8 is a top, front, and right side perspective view of a second embodiment of a diagnostic reader device;  
FIG. 9 is a bottom, rear, and left side perspective view thereof;  
FIG. 10 is a front elevation view thereof;  
FIG. 11 is a rear elevation view thereof;  
FIG. 12 is a top plan view thereof;  
FIG. 13 is a bottom plan view thereof; and,  
FIG. 14 is a left side elevation view thereof, the right side being a mirror image.

(22) Filed: **Dec. 20, 2018**

(51) **LOC (12) Cl.** ..... **24-01**

(52) **U.S. Cl.**  
USPC ..... **D24/186**

(58) **Field of Classification Search**  
USPC ..... D24/107, 169, 186, 216, 219, 231, 232;  
D10/81  
CPC ..... G01N 2035/00306; G01N 2035/00326;  
G01N 2035/00336; G01N 2030/027;  
G01N 21/76; G01N 33/50; G01N 35/025  
See application file for complete search history.

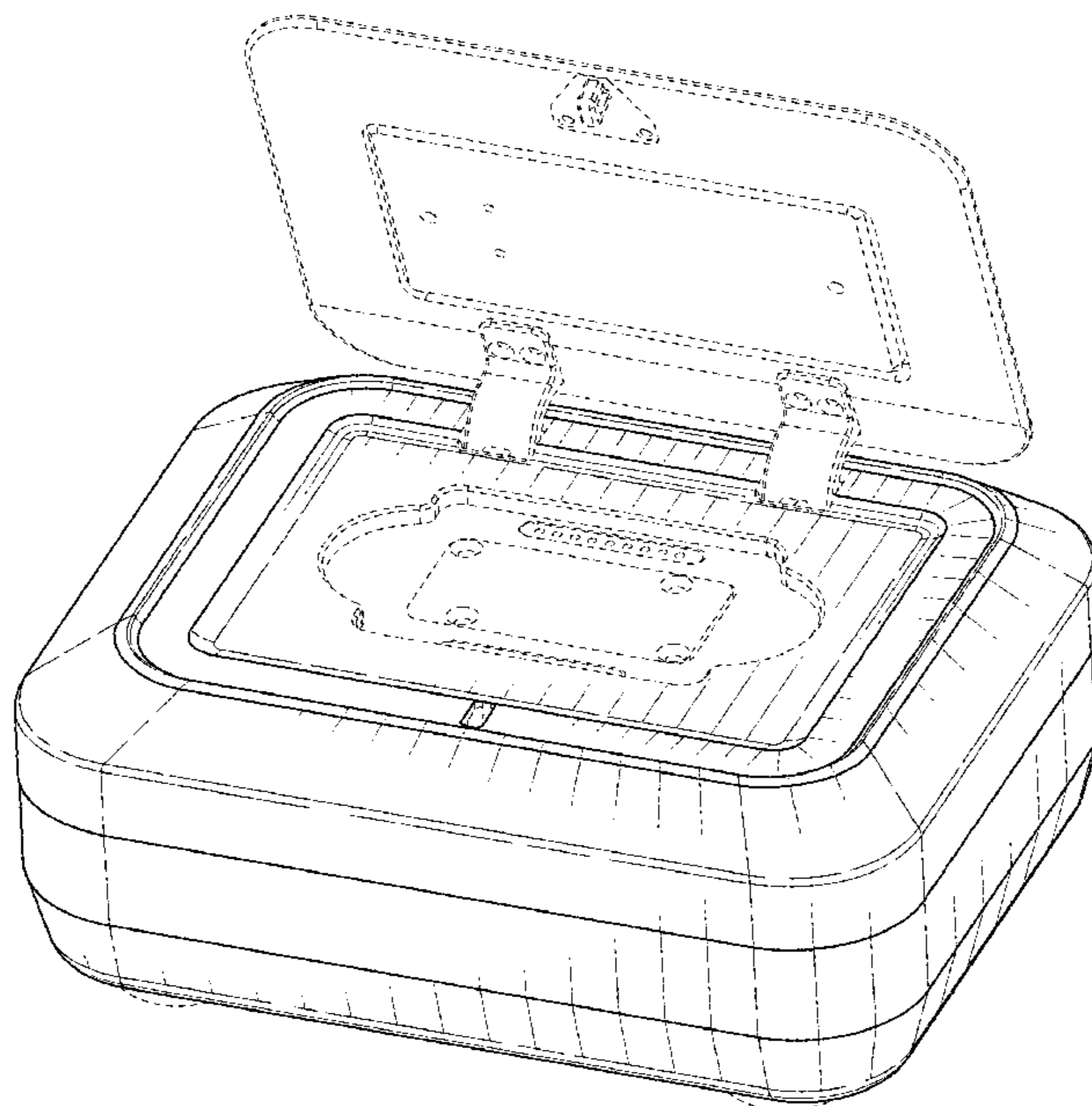
(56) **References Cited**

U.S. PATENT DOCUMENTS

D731,662 S \* 6/2015 Khan ..... D24/186  
D761,142 S \* 7/2016 Golta ..... D10/81  
D800,912 S \* 10/2017 Uzri ..... D24/216  
D808,833 S \* 1/2018 Abbott ..... D10/81  
D817,509 S \* 5/2018 McMullin ..... D24/216

The broken lines depict portions of the diagnostic reader device that form no part of the claimed design; the broken lines form no part of the claimed design.

**1 Claim, 12 Drawing Sheets**



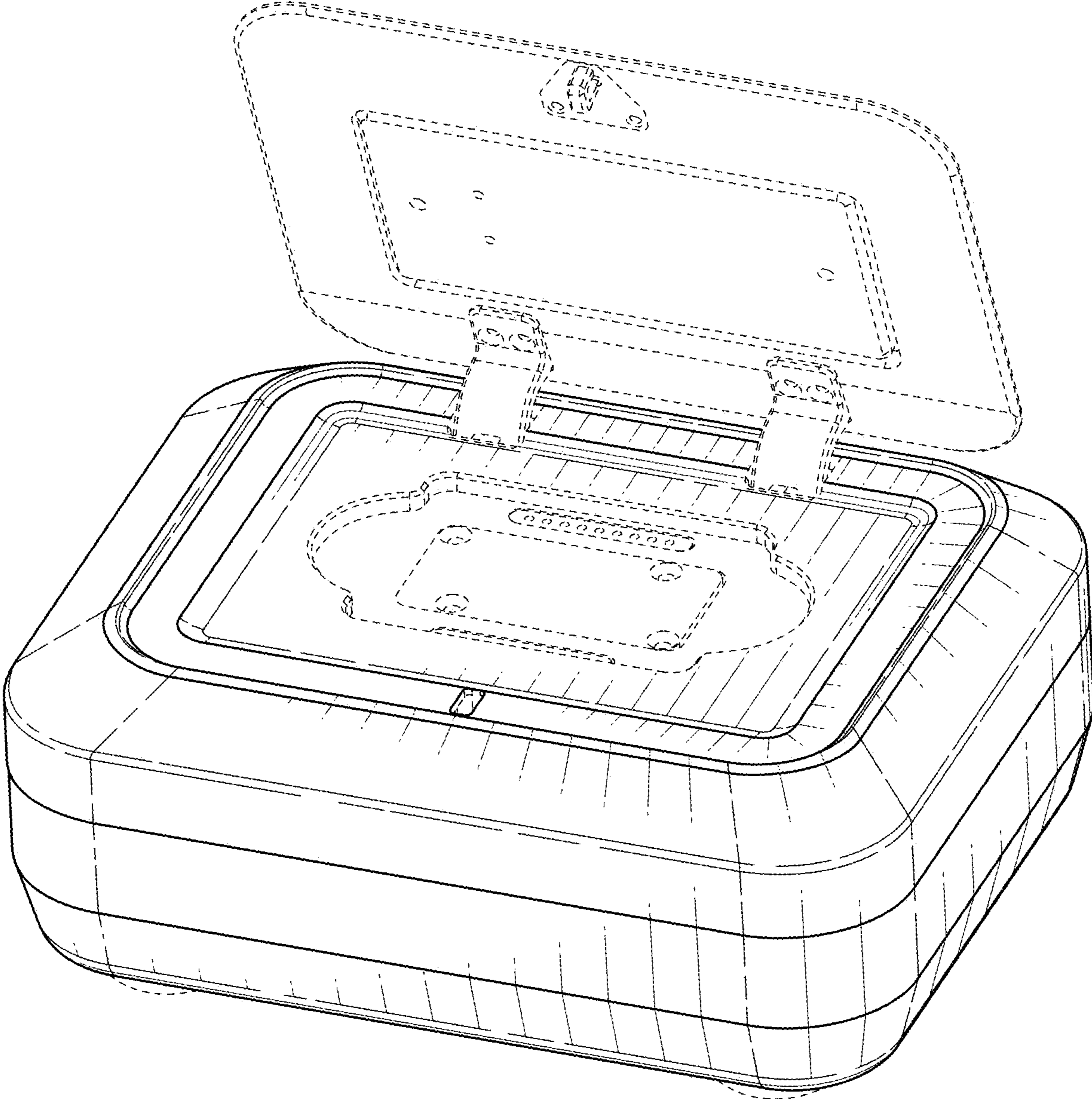


FIG. 1

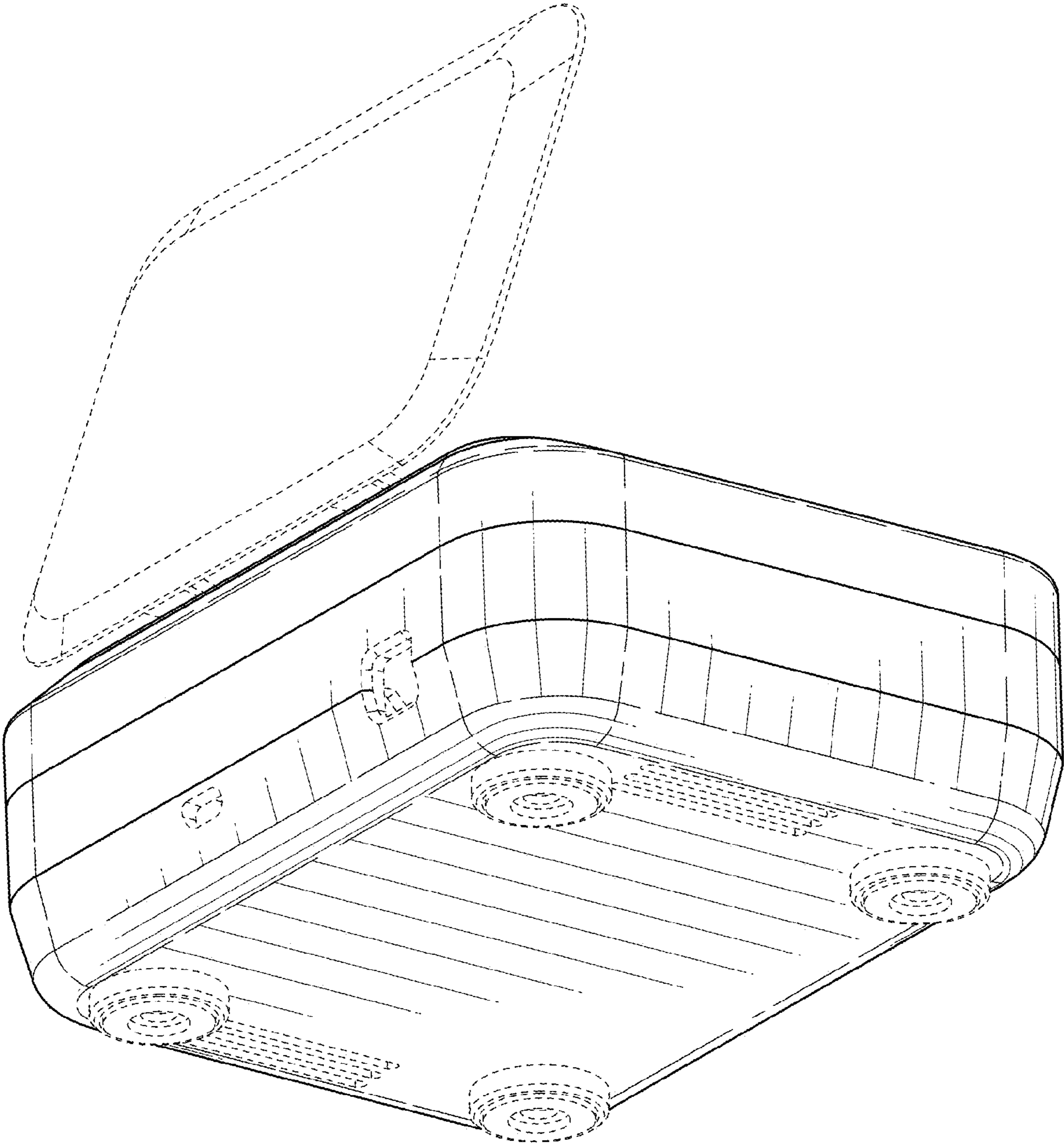


FIG. 2

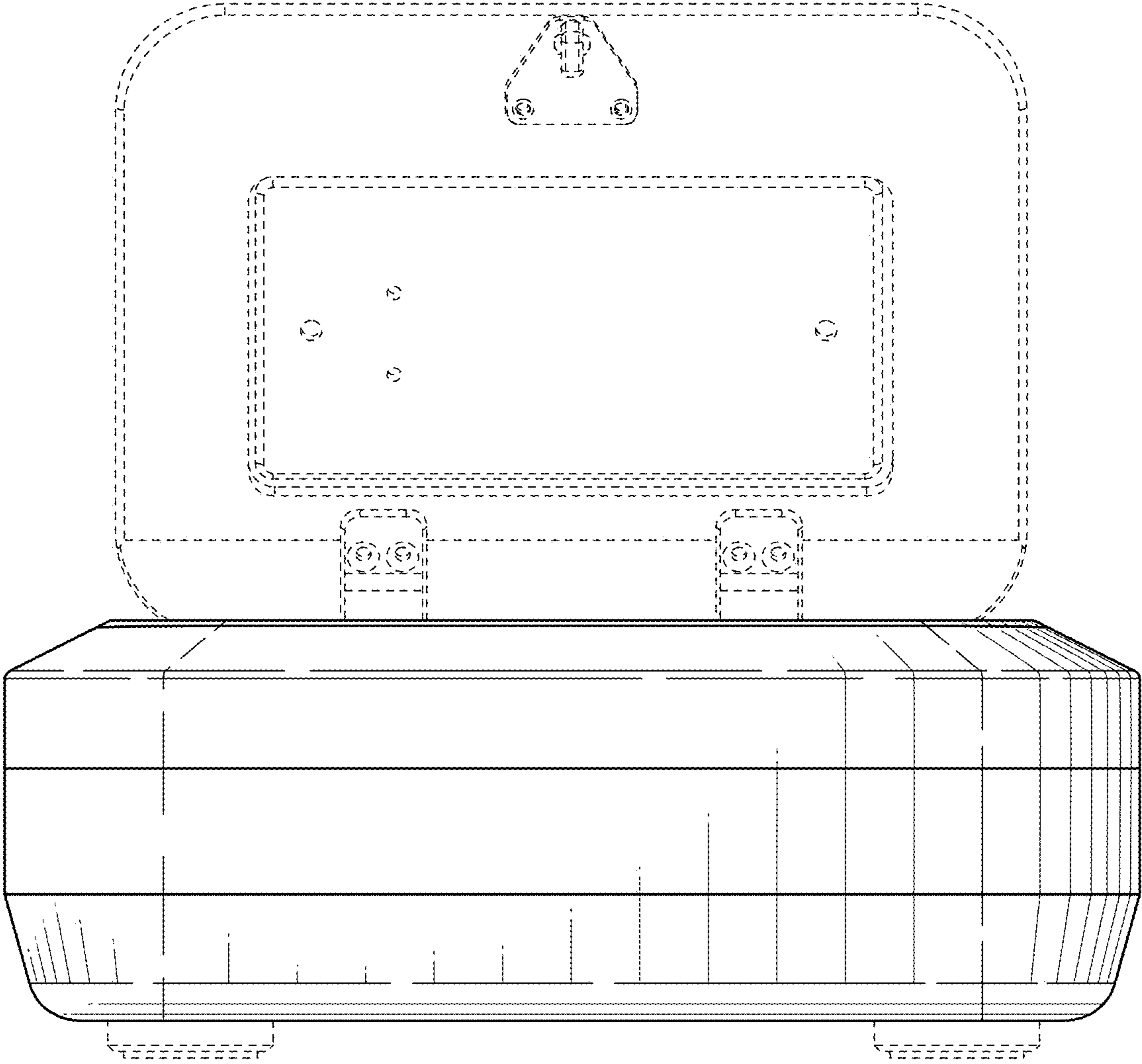


FIG. 3

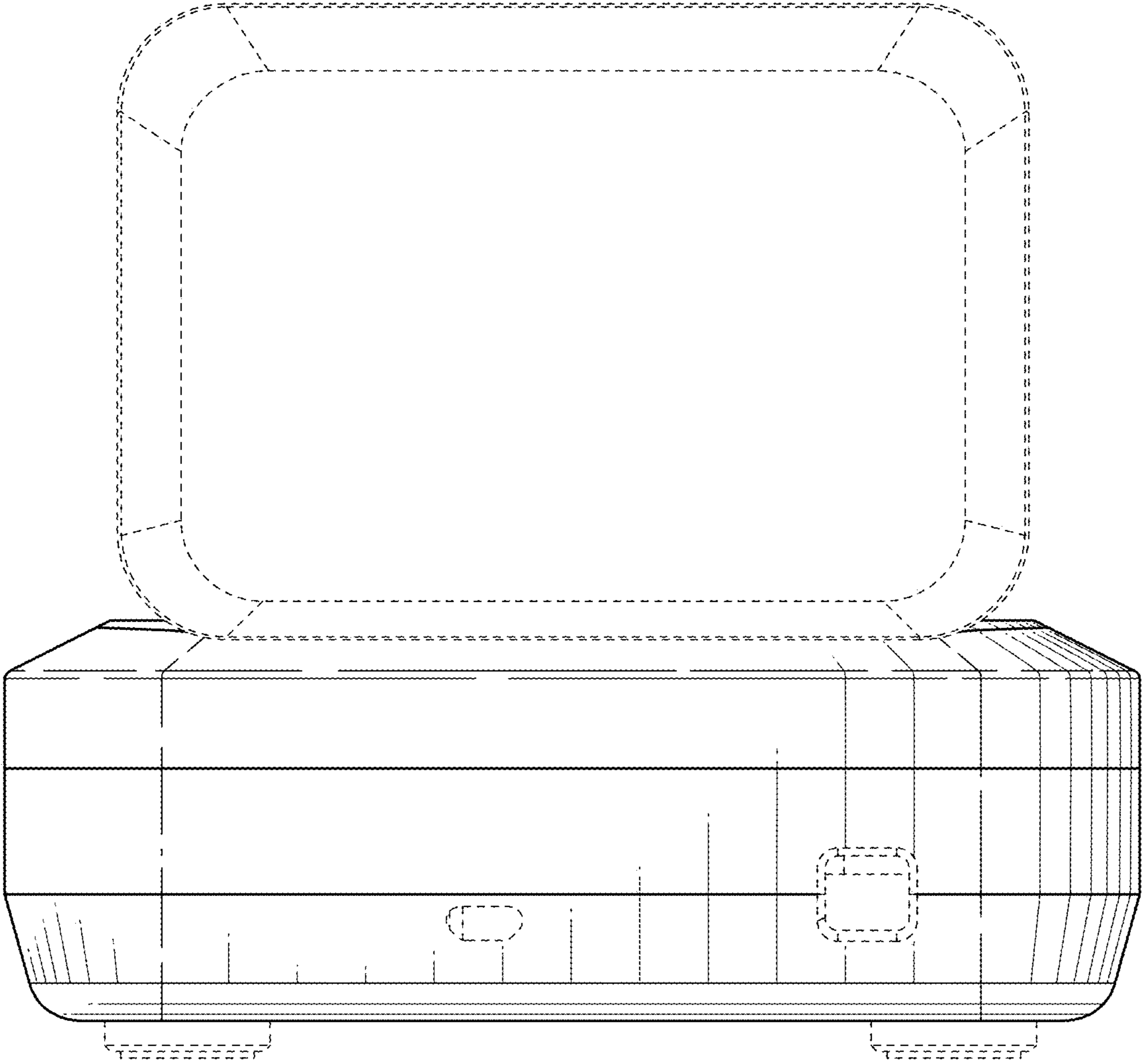


FIG. 4

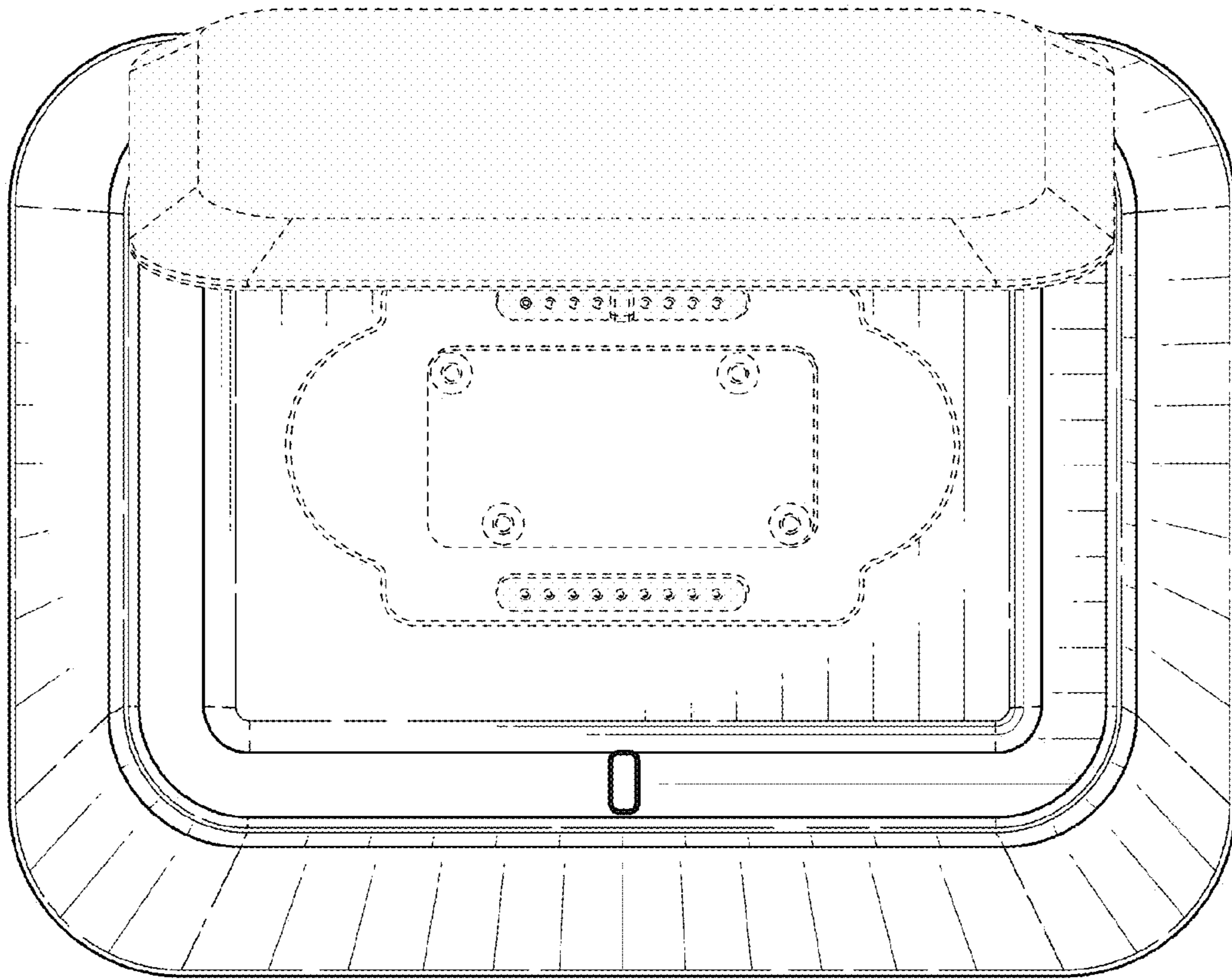


FIG. 5

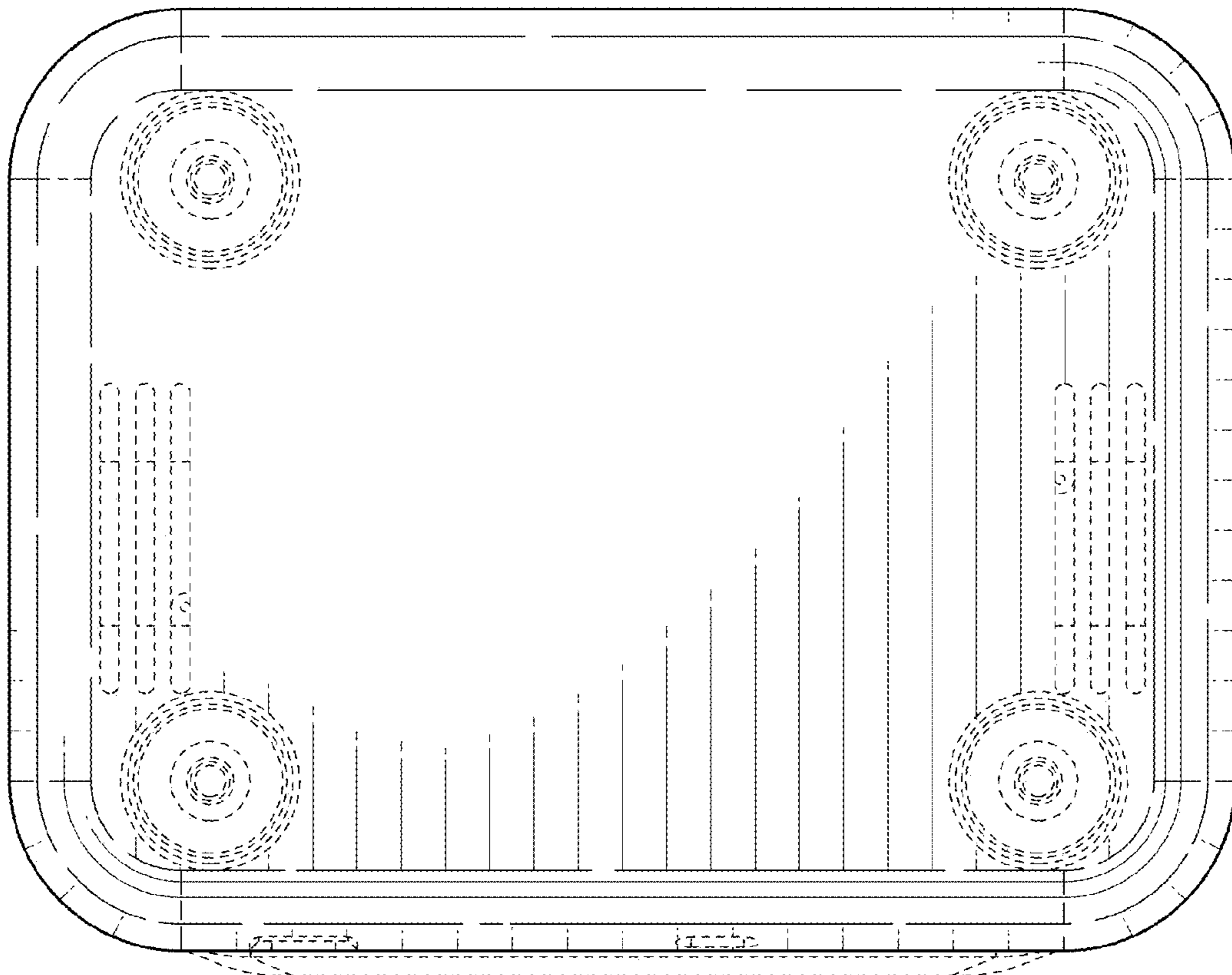


FIG. 6

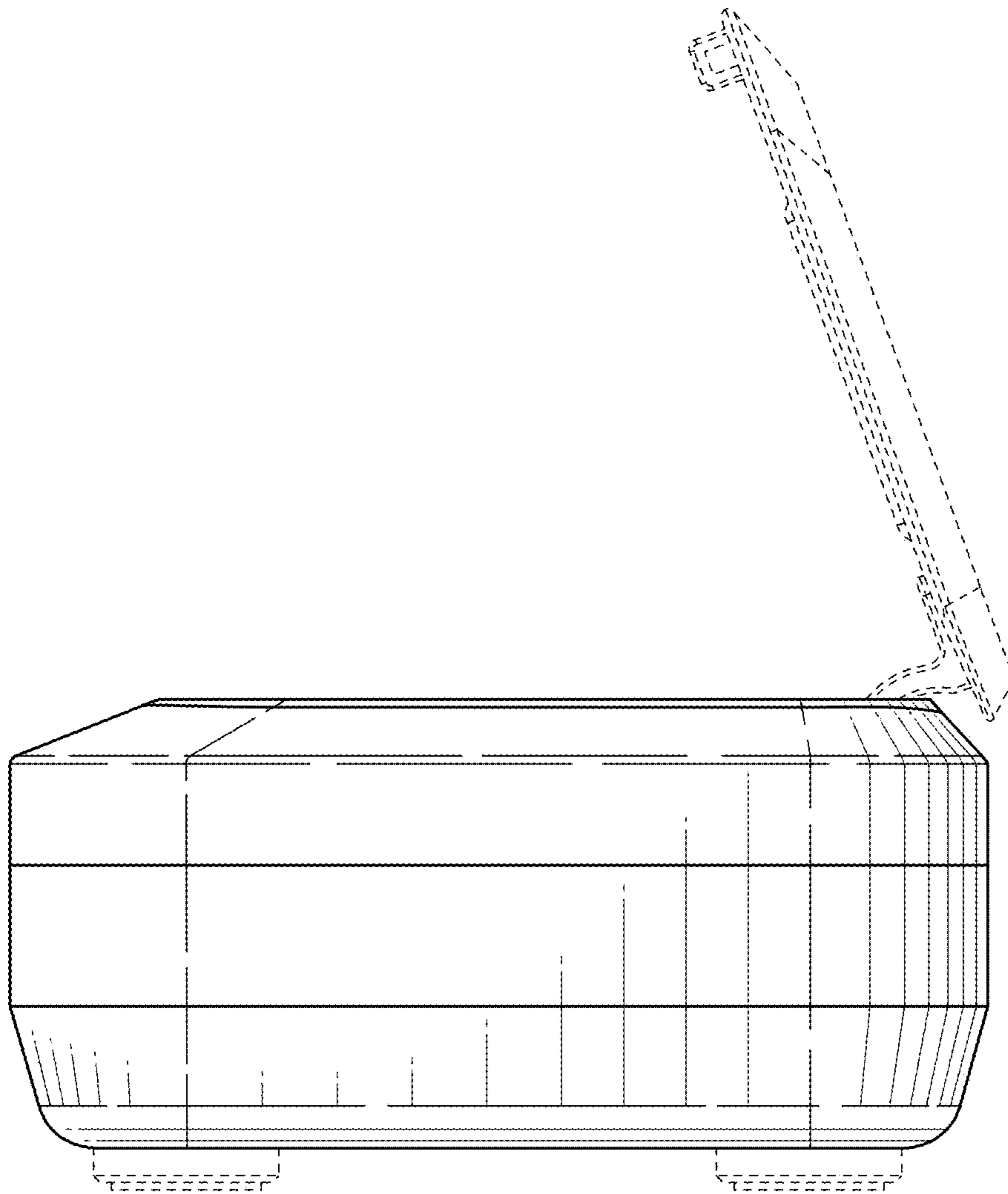


FIG. 7

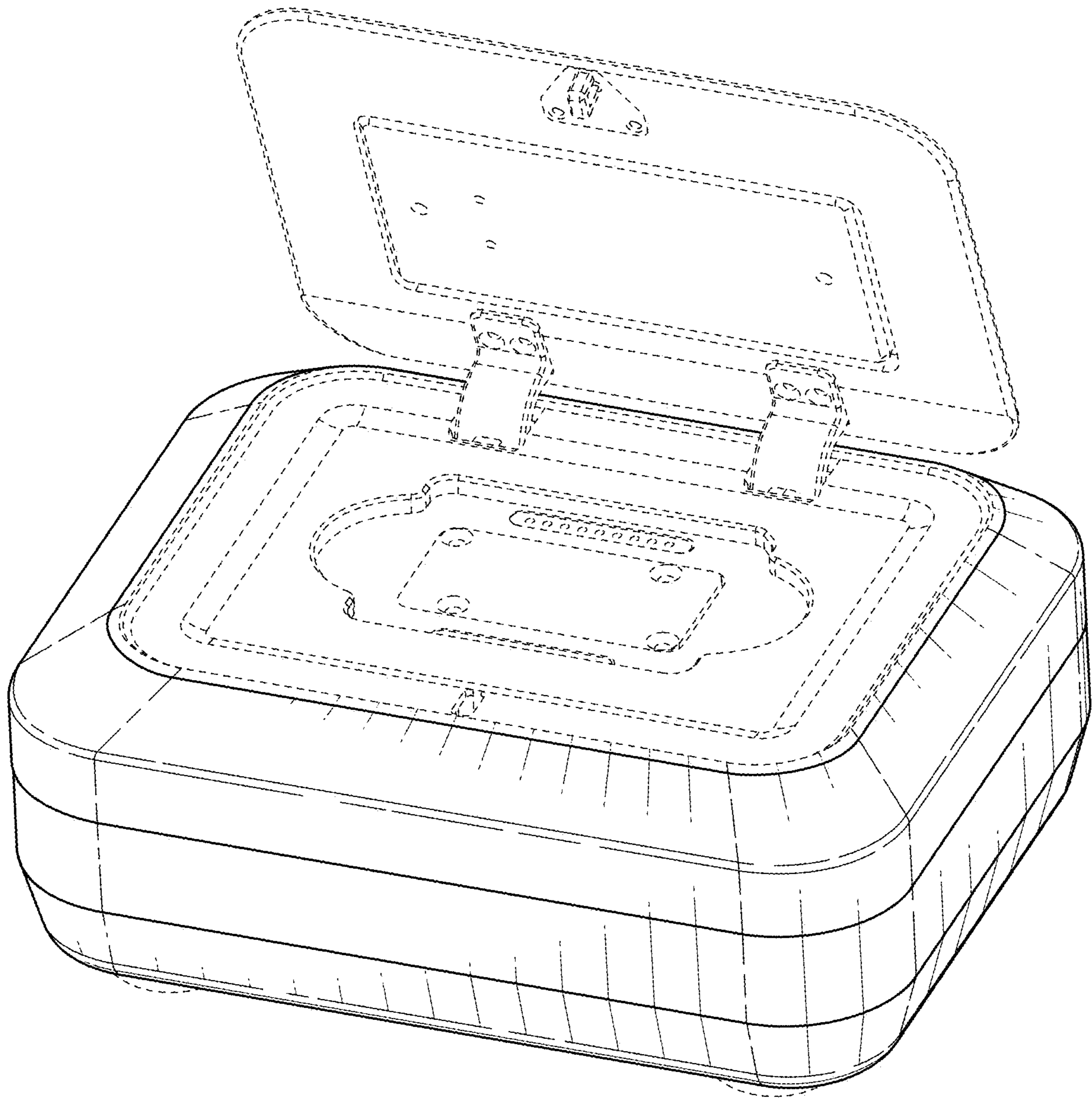


FIG. 8



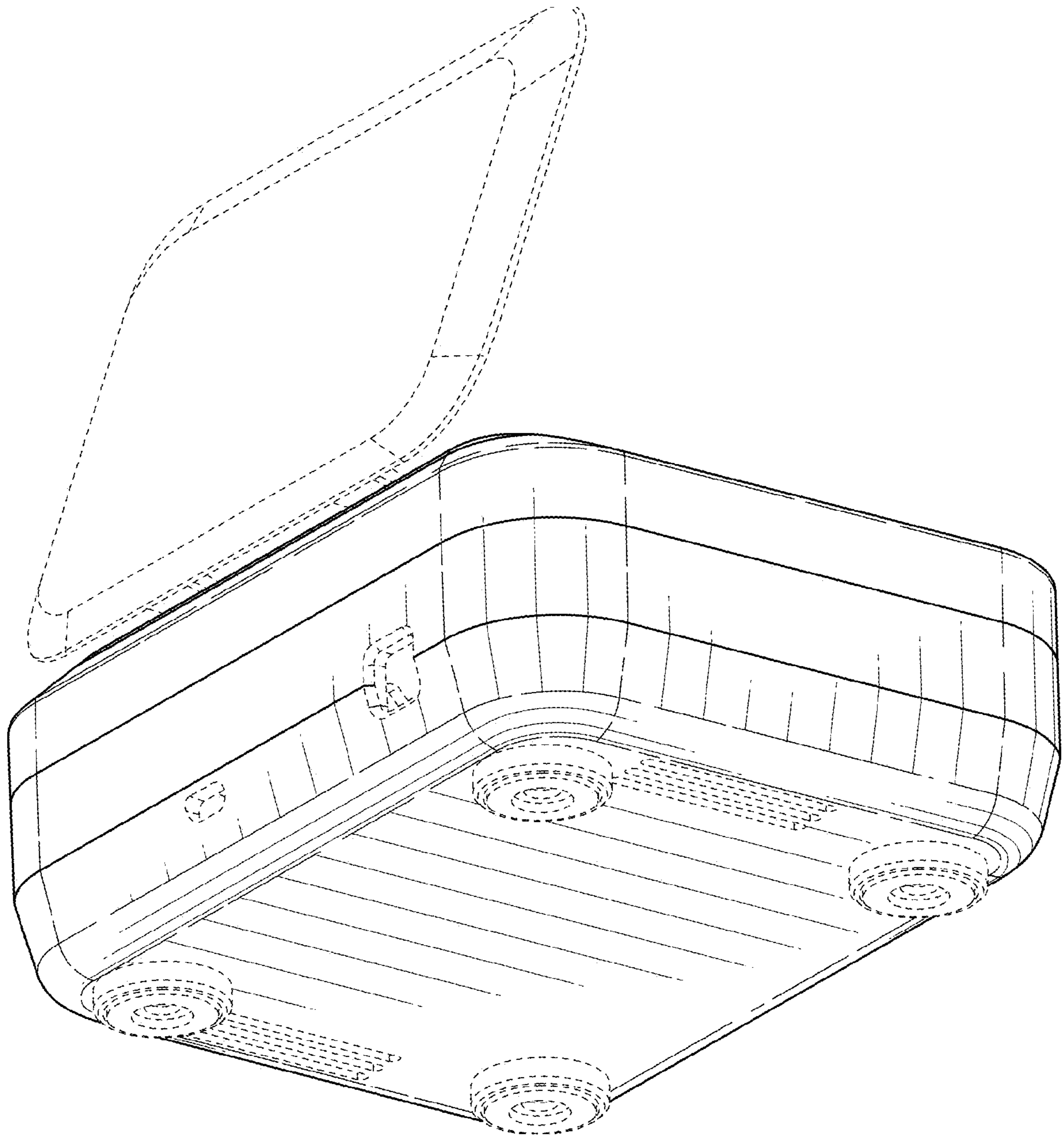


FIG. 9

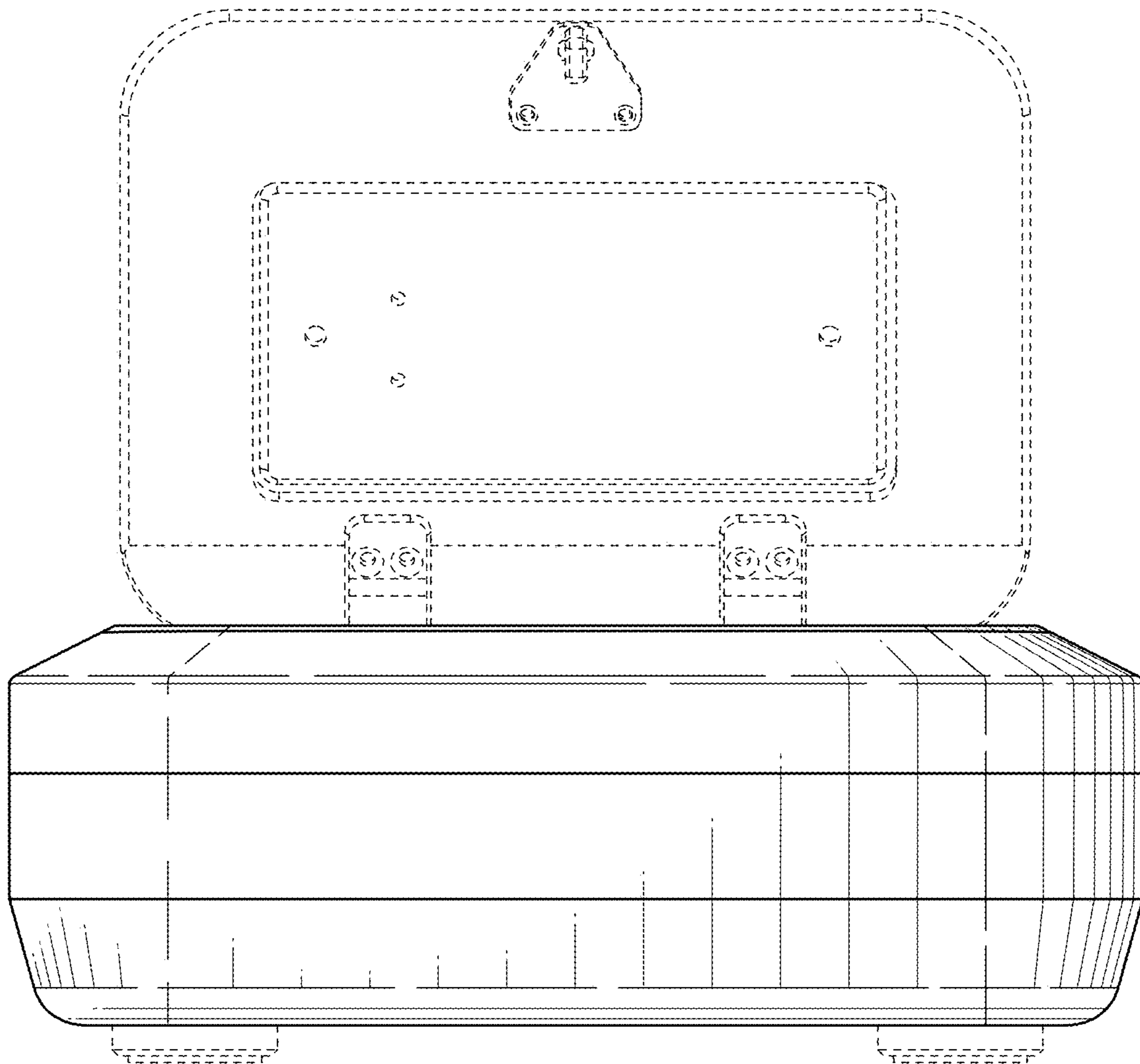


FIG. 10

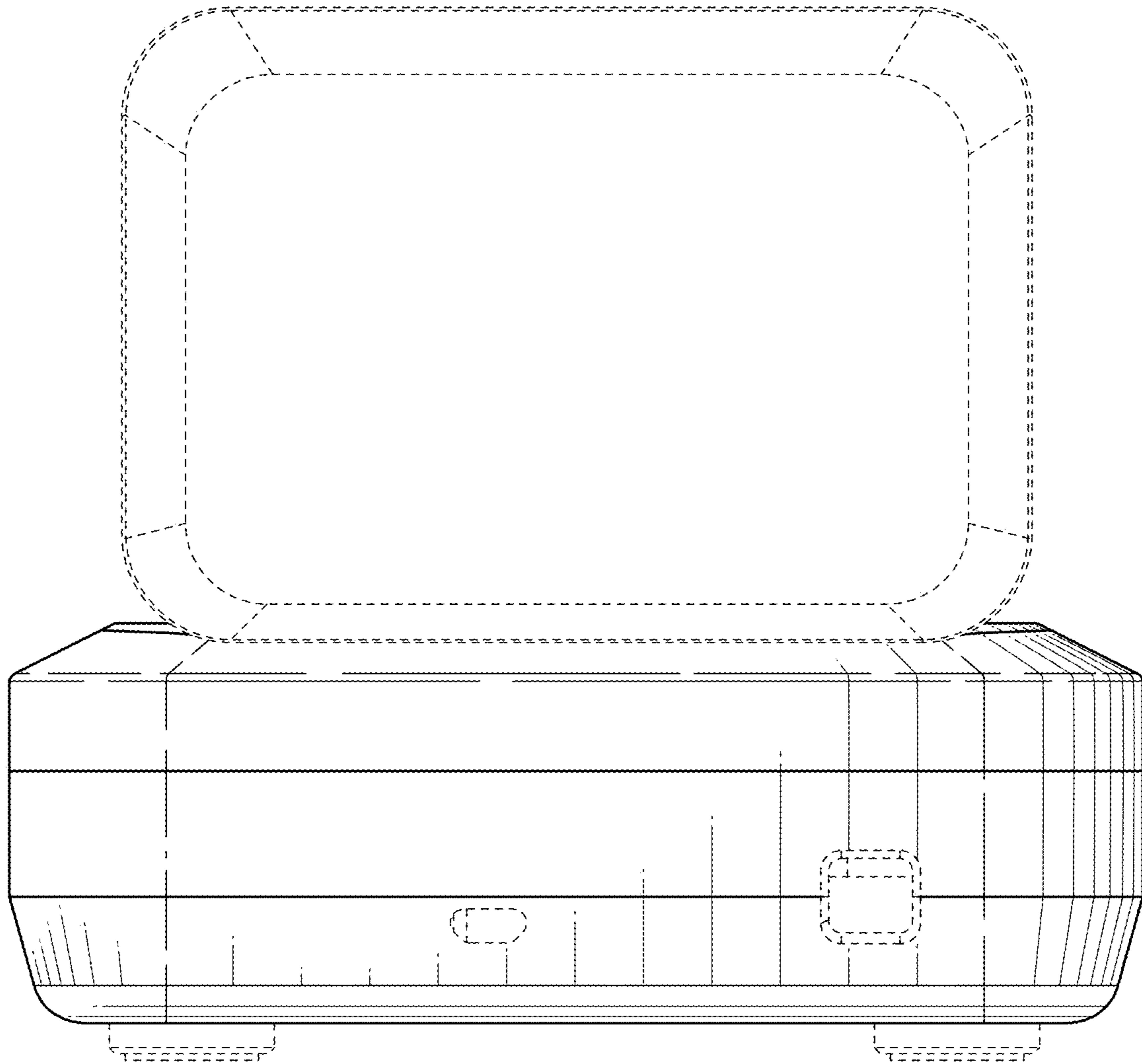


FIG. 11

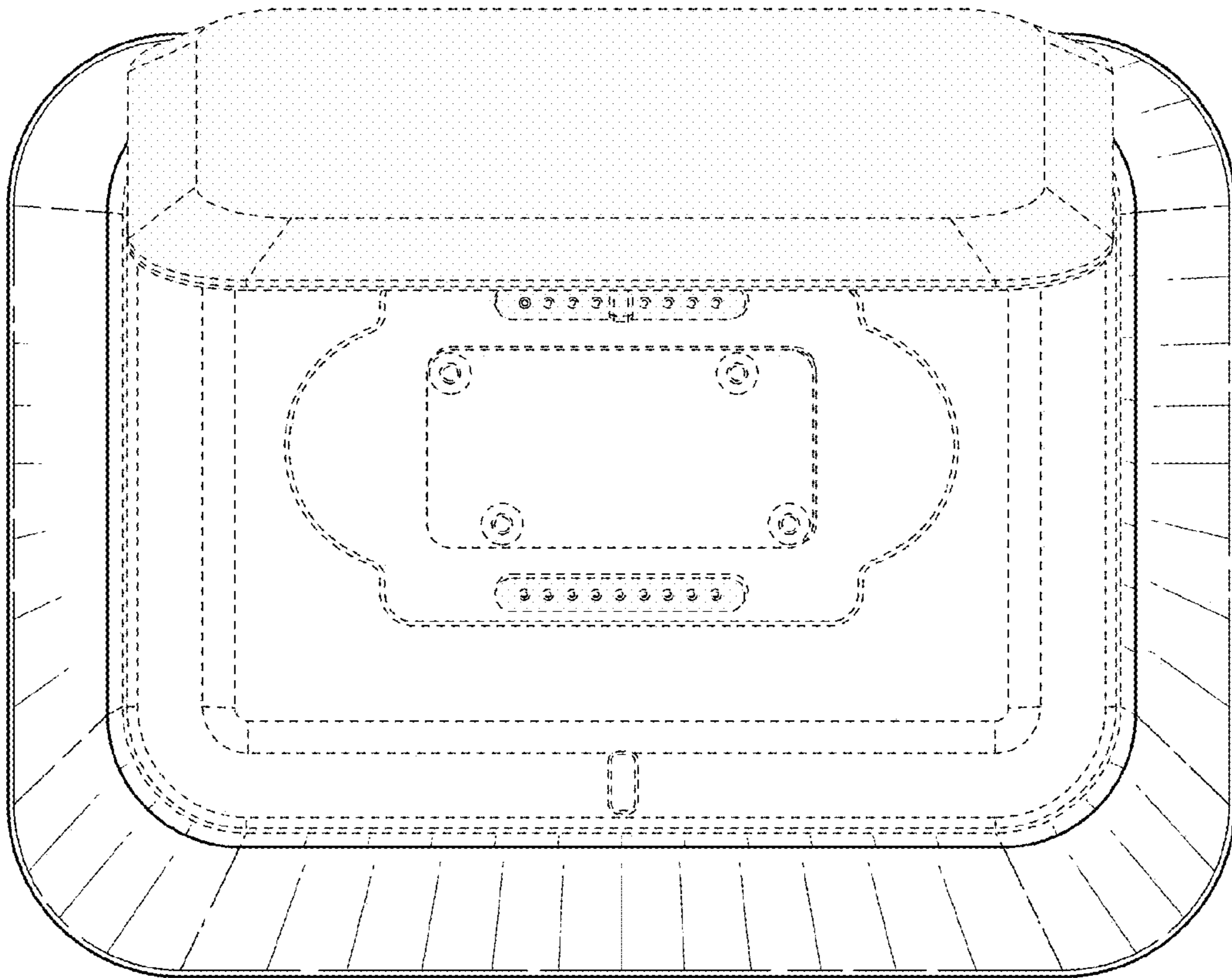


FIG. 12

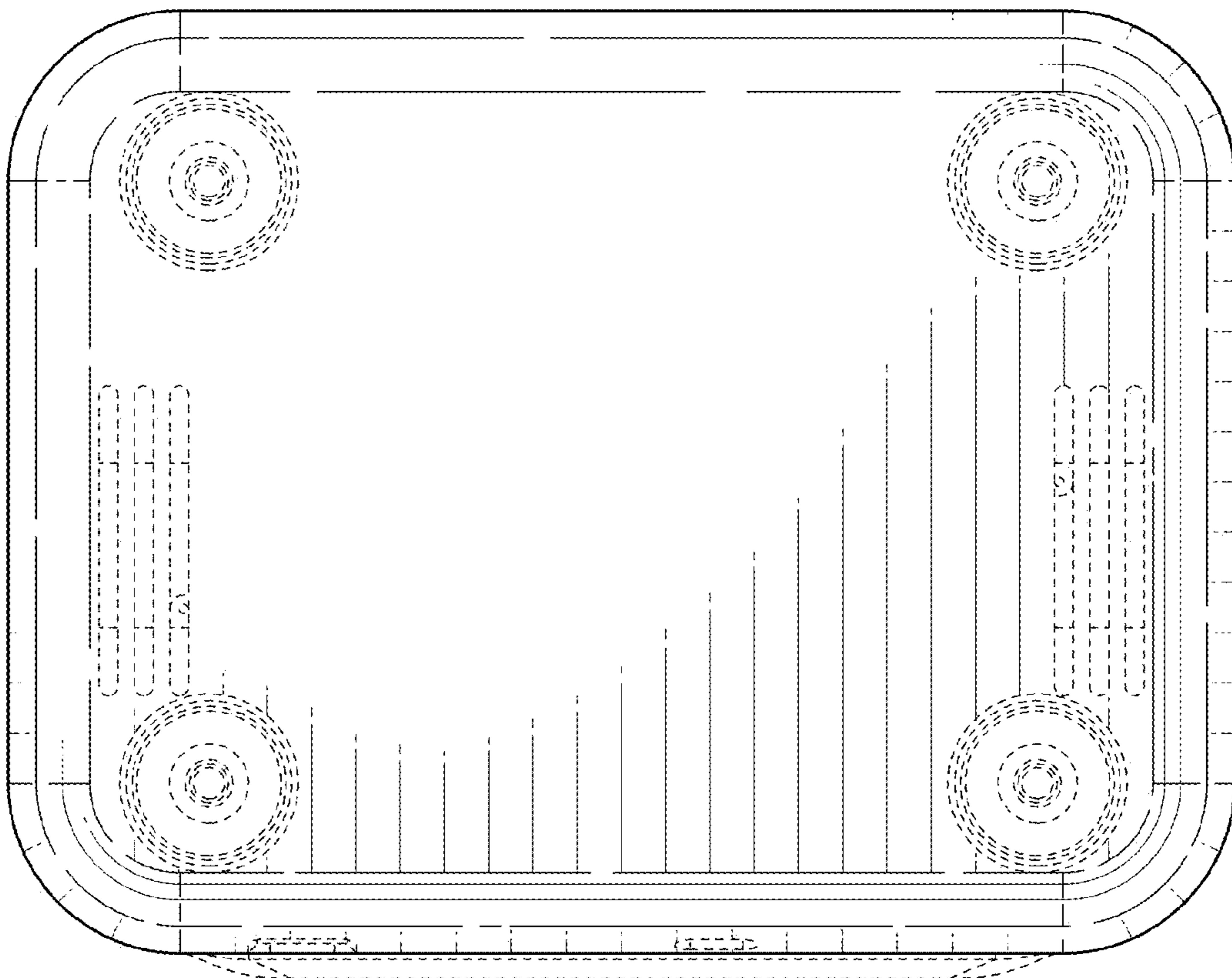


FIG. 13

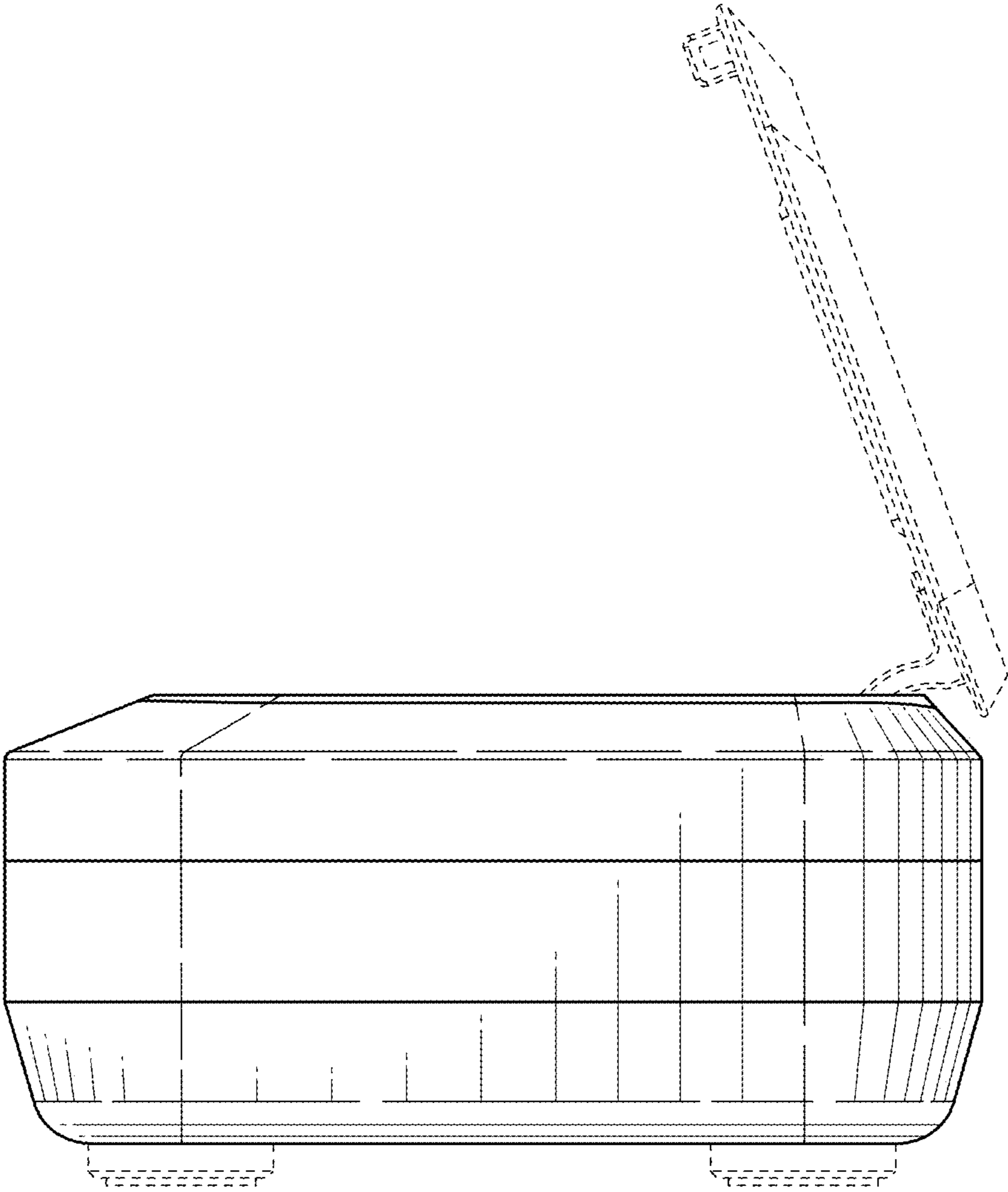


FIG. 14