



US00D906525S

(12) **United States Design Patent**
Pu et al.

(10) **Patent No.:** **US D906,525 S**

(45) **Date of Patent:** **** Dec. 29, 2020**

(54) **HEARING AID FOR THE DEAF**

(71) Applicant: **GN Hearing A/S**, Ballerup (DK)

(72) Inventors: **Shi Pu**, Holte (DK); **Alexandre Da Luz Pinto**, Copenhagen S (DK)

(**) Term: **15 Years**

(21) Appl. No.: **35/506,848**

(22) Filed: **Feb. 11, 2019**

(80) **Hague Agreement Data**

Int. Filing Date: **Feb. 11, 2019**

Int. Reg. No.: **DM/201114**

Int. Reg. Date: **Feb. 11, 2019**

Int. Reg. Pub. Date: **May 31, 2019**

(51) **LOC (12) Cl.** **24-99**

(52) **U.S. Cl.**

USPC **D24/174; D14/223**

(58) **Field of Classification Search**

USPC D24/173, 174, 175; D14/223; 128/864, 128/867, 868, 129, 130, 135; 379/430, 379/431, 380, 381, 322, 370, 374, 324, 379/327, 328, 410, 312, 60

CPC H04R 2225/55; H04R 25/505; H04R 25/554; H04R 25/60; H04R 25/652; H04R 1/1008; H04R 1/1016; H04R 2225/023; H04R 25/43; H04R 25/453; H04R 25/552; H01Q 1/273; A61B 5/0478; A61F 11/06; A61F 11/08; G10K 11/16; G10K 2210/108; H04M 1/035

See application file for complete search history.

(56) **References Cited**

U.S. PATENT DOCUMENTS

D626,536 S * 11/2010 Birger D14/223
D813,849 S * 3/2018 Andreen D14/223

D835,077 S * 12/2018 Aoyagi D14/223
D842,844 S * 3/2019 Li D14/223
D860,172 S * 9/2019 Yun D14/223
D864,918 S * 10/2019 Liu D14/223
D870,292 S * 12/2019 Cramer D24/174
D871,375 S * 12/2019 Meyer D14/223
D872,065 S * 1/2020 Cai D14/223
D873,789 S * 1/2020 Hu D14/205
D874,443 S * 2/2020 Yan D14/223
D876,399 S * 2/2020 Duddy D14/223

* cited by examiner

Primary Examiner — Samantha Q Lawrence

(57) **CLAIM**

The ornamental design for a hearing aid for the deaf, as shown and described.

DESCRIPTION

1.-2. Hearing aid for the deaf

Figure 1.1 is a front perspective view of a first embodiment of a hearing aid for the deaf;

Figure 1.2 is a top view thereof;

Figure 1.3 is another perspective view thereof;

Figure 1.4 is a side view thereof;

Figure 1.5 is another side view thereof;

Figure 1.6 is another side view thereof;

Figure 1.7 is another side view thereof;

Figure 2.1 is a front perspective view of a second embodiment of a hearing aid for the deaf;

Figure 2.2 is a top view thereof;

Figure 2.3 is another perspective view thereof;

Figure 2.4 is a side view thereof;

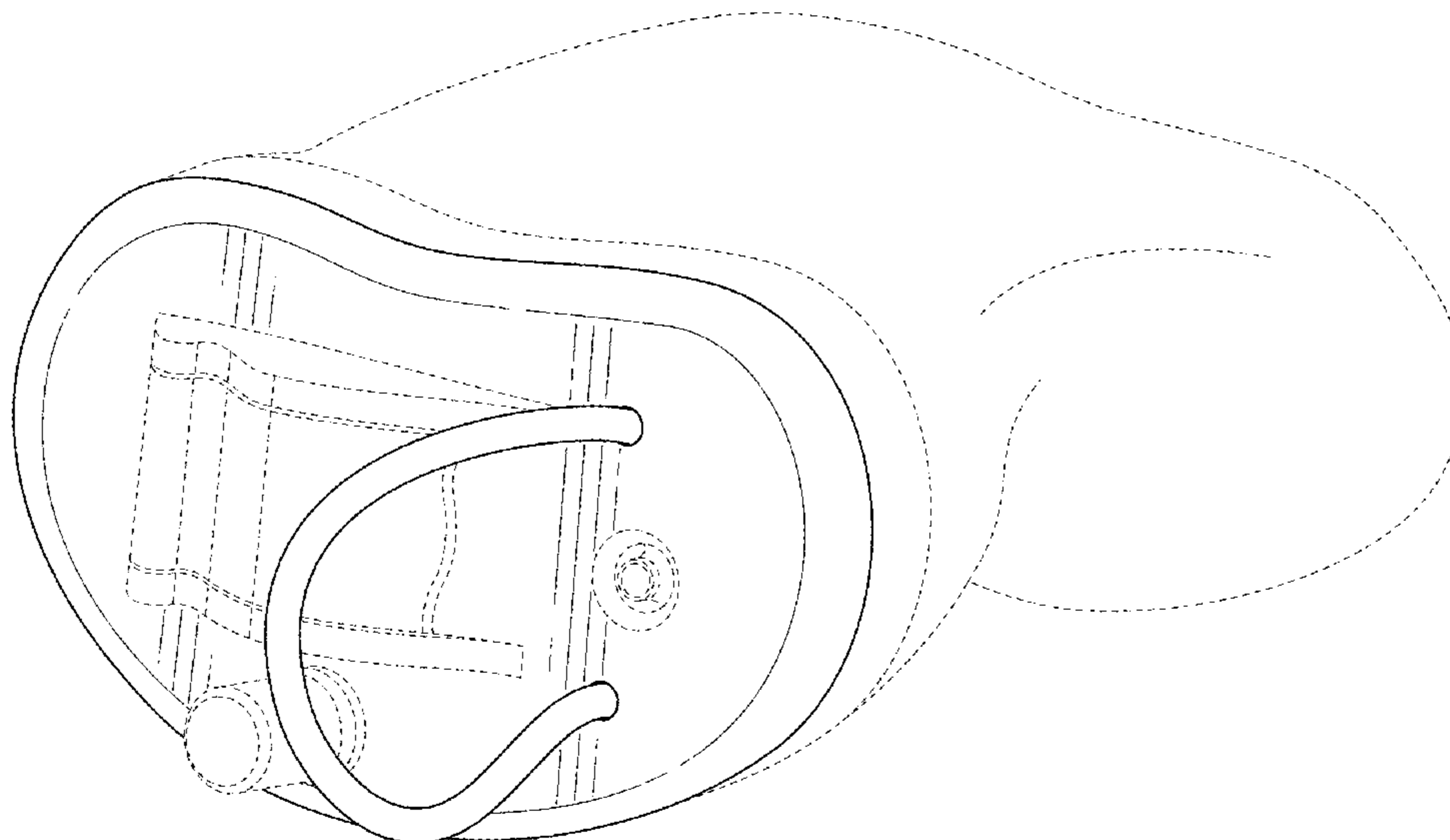
Figure 2.5 is another side view thereof;

Figure 2.6 is another side view thereof; and

Figure 2.7 is another side view thereof.

The portions of the hearing aid for the deaf shown in broken lines form no part of the claimed design.

1 Claim, 14 Drawing Sheets



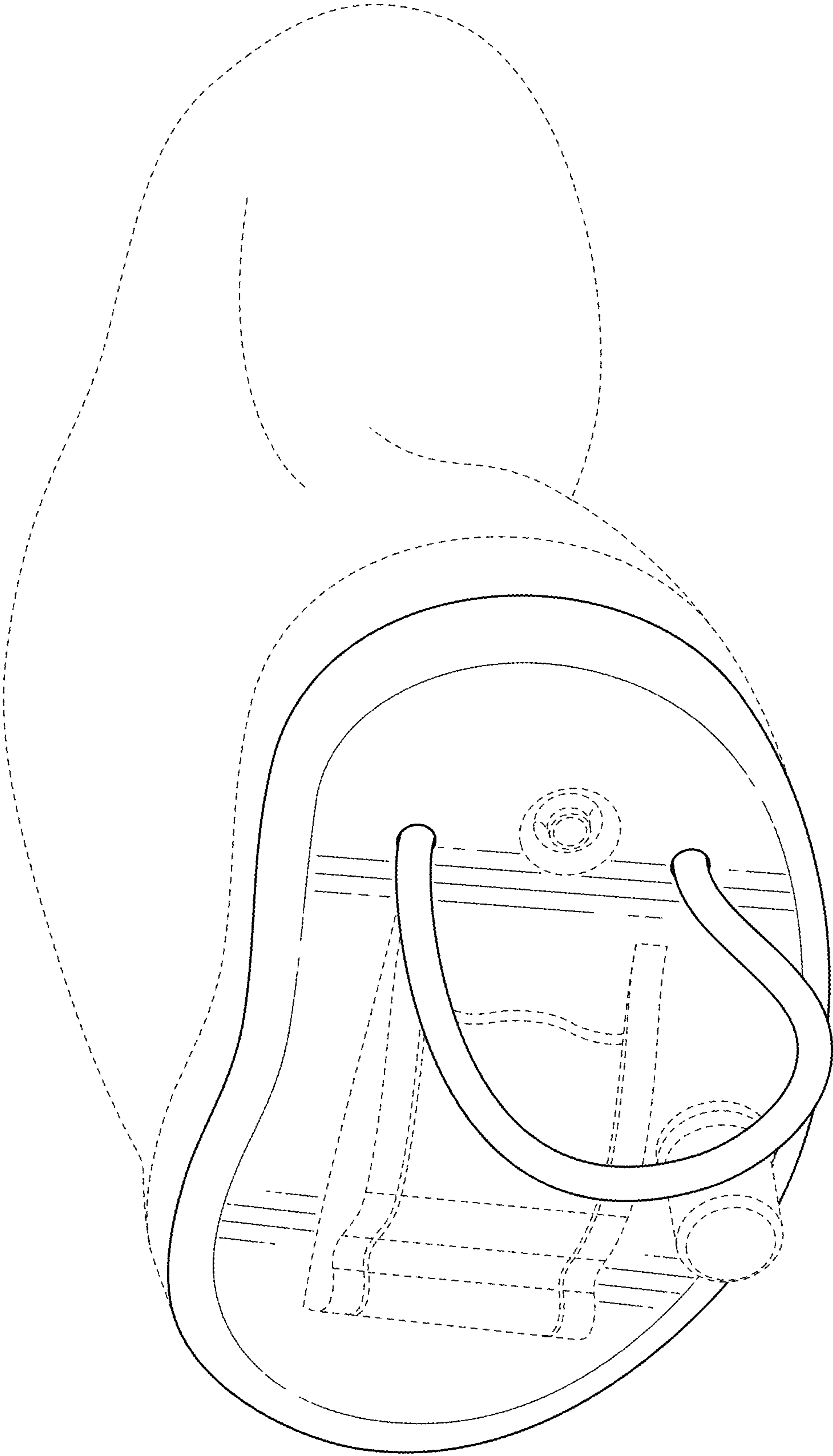


FIG. 1.1

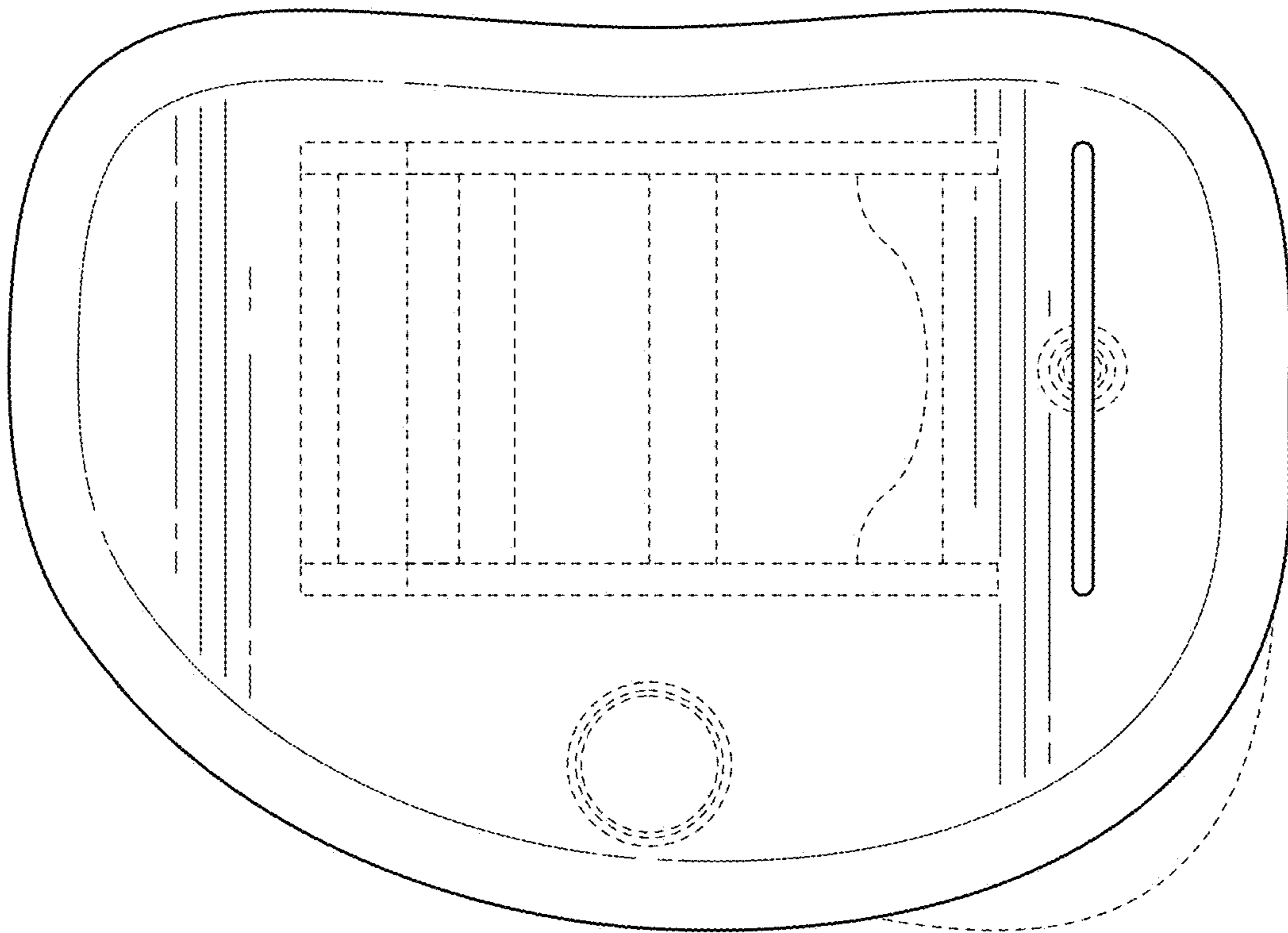


FIG. 1.2

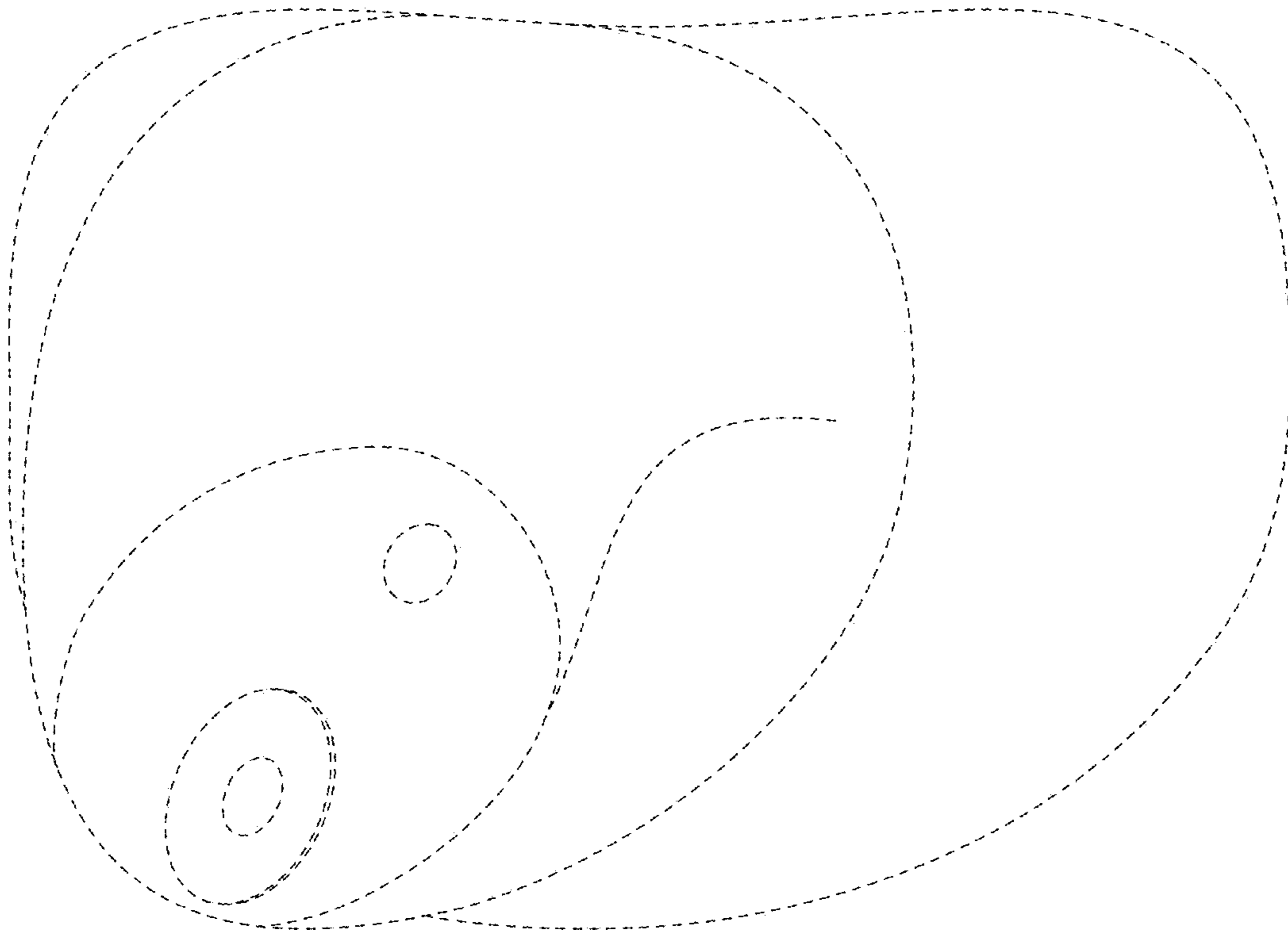


FIG. 1.3

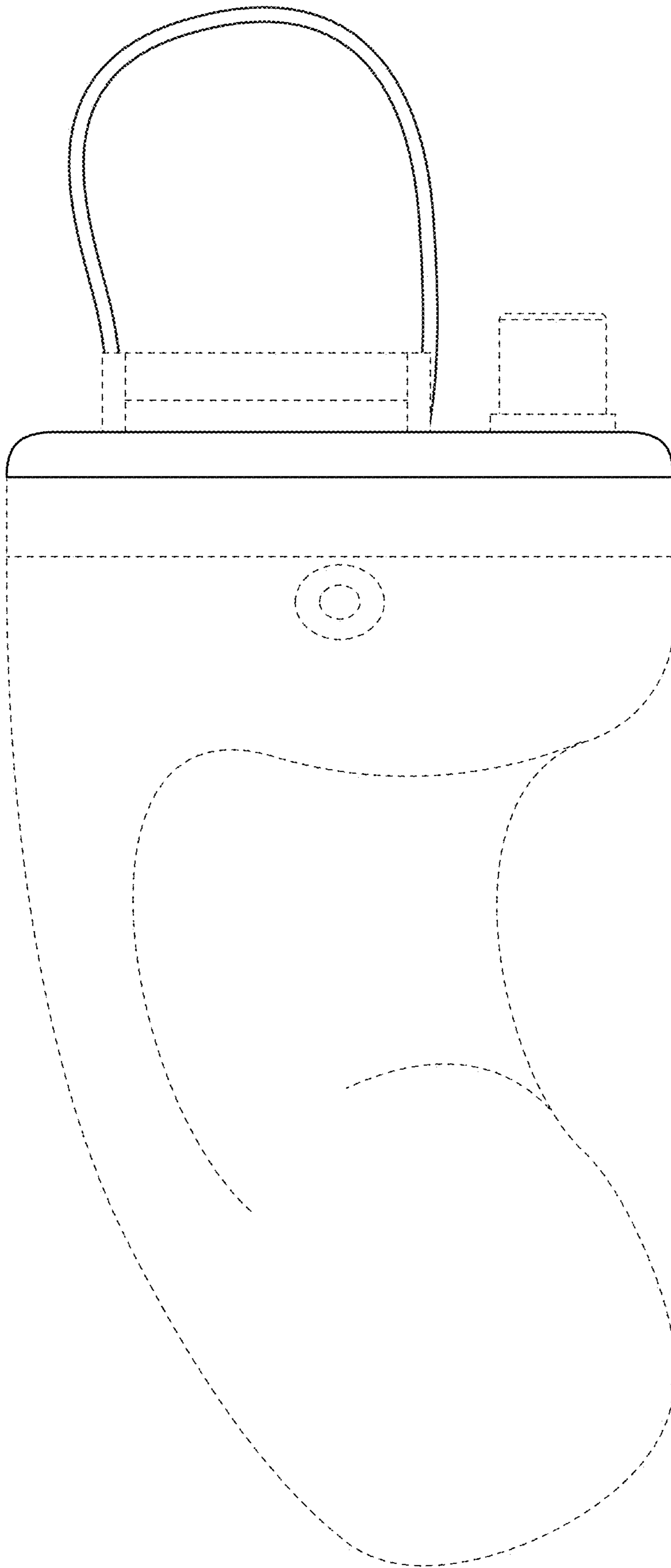


FIG 1.4

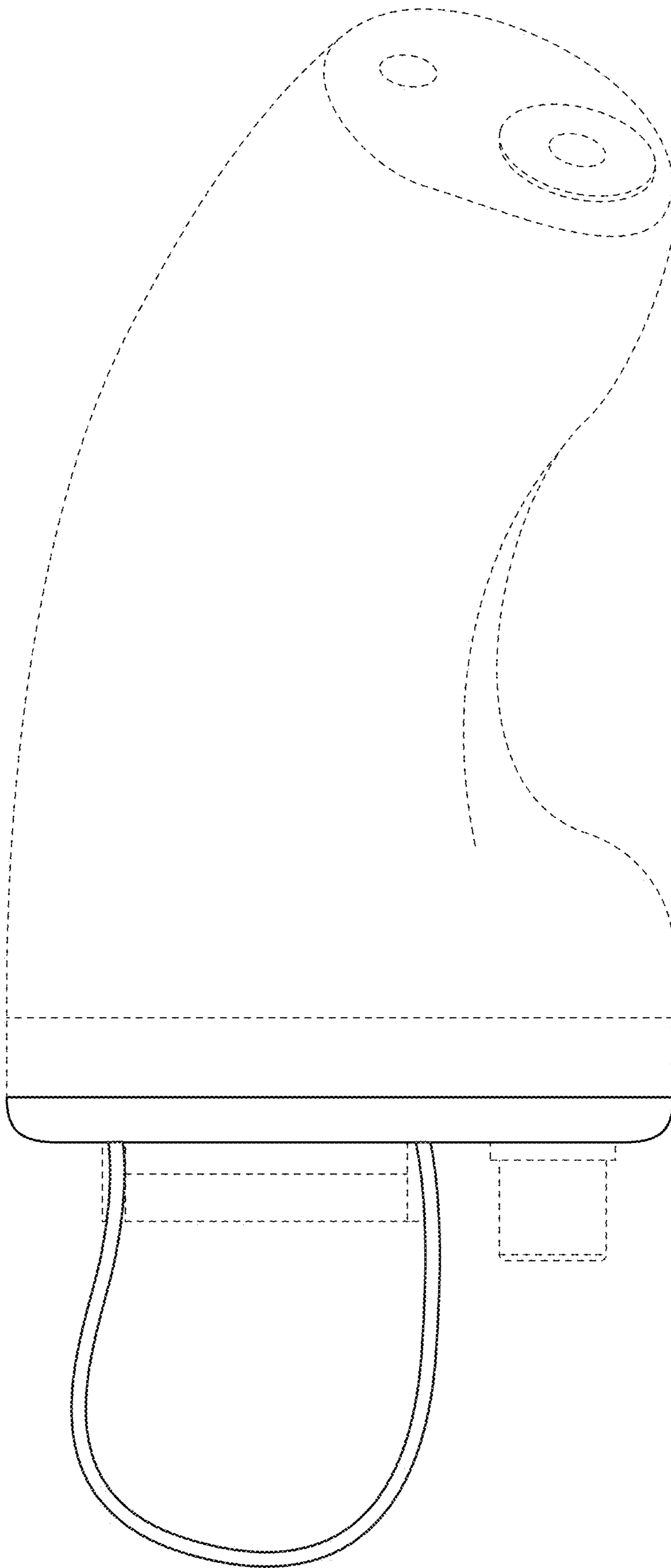


FIG. 1.5

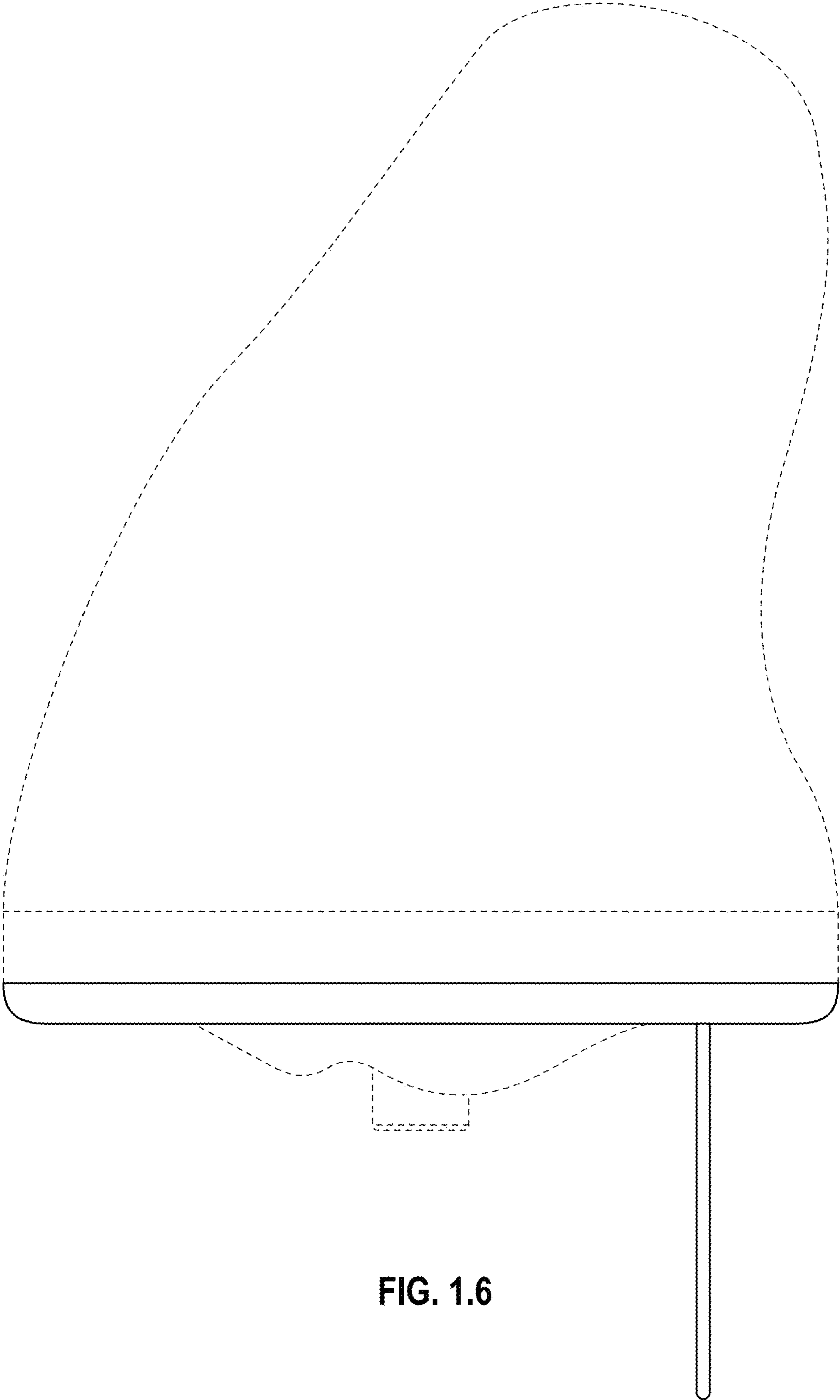


FIG. 1.6

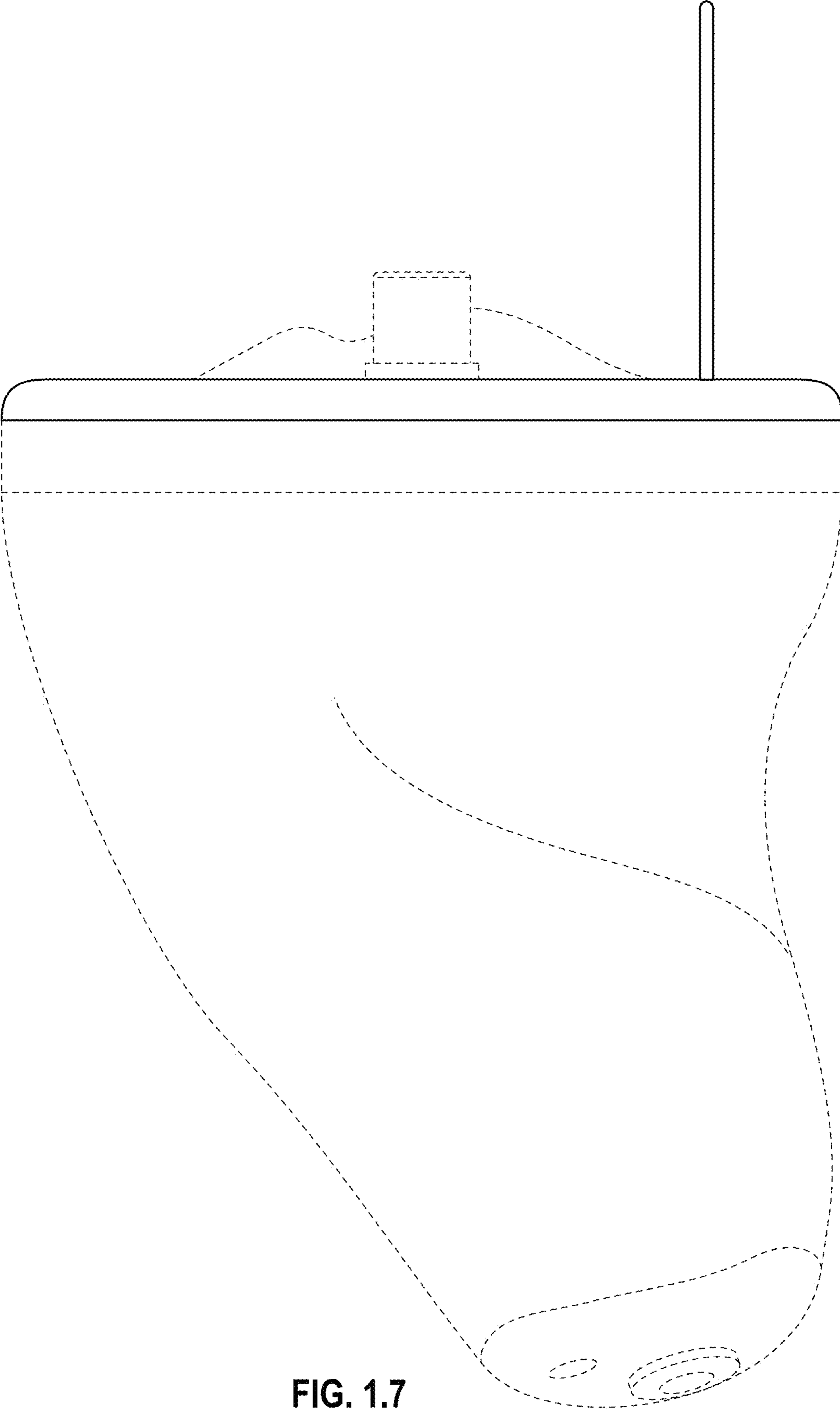


FIG. 1.7

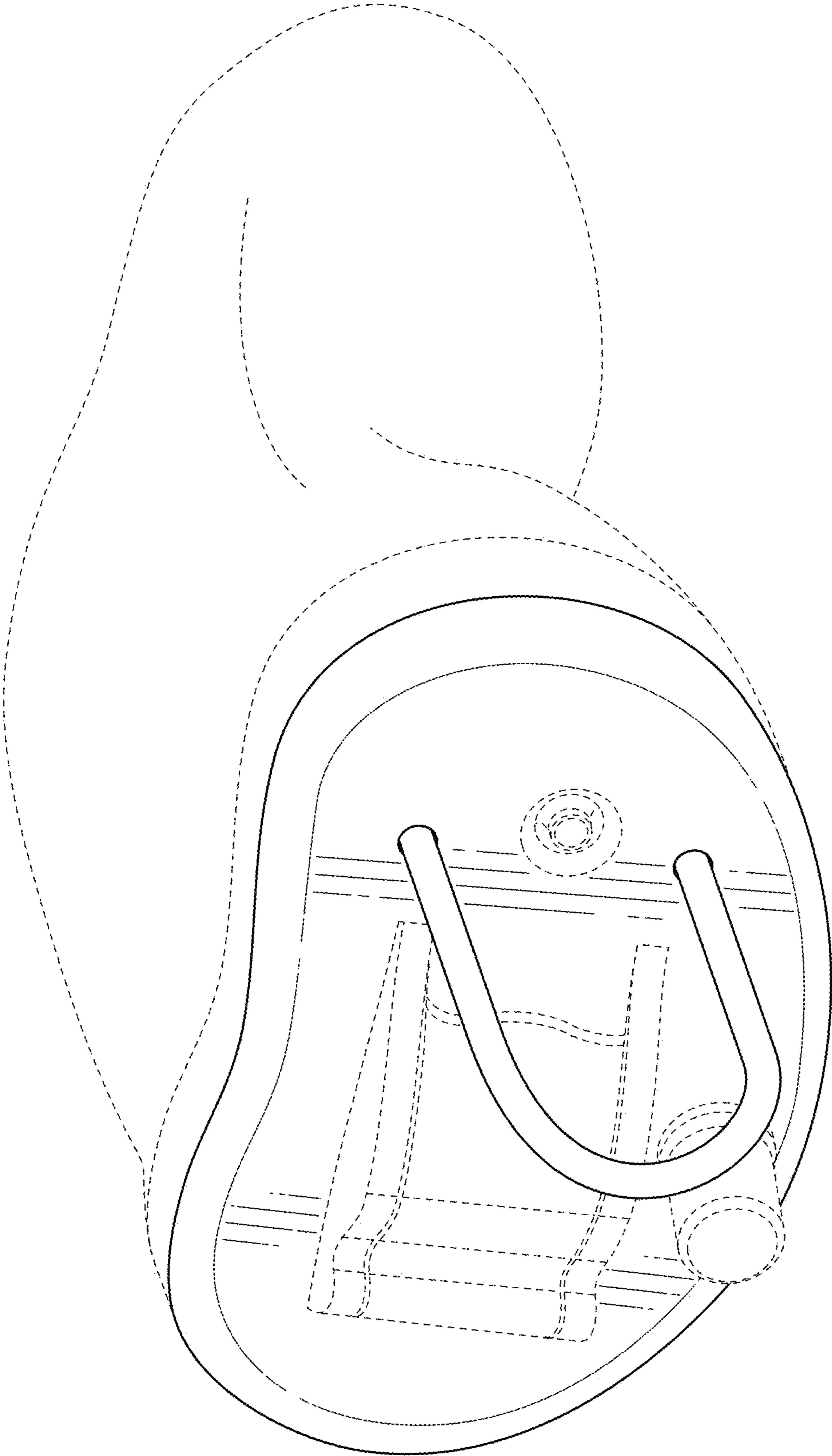


FIG. 2.1

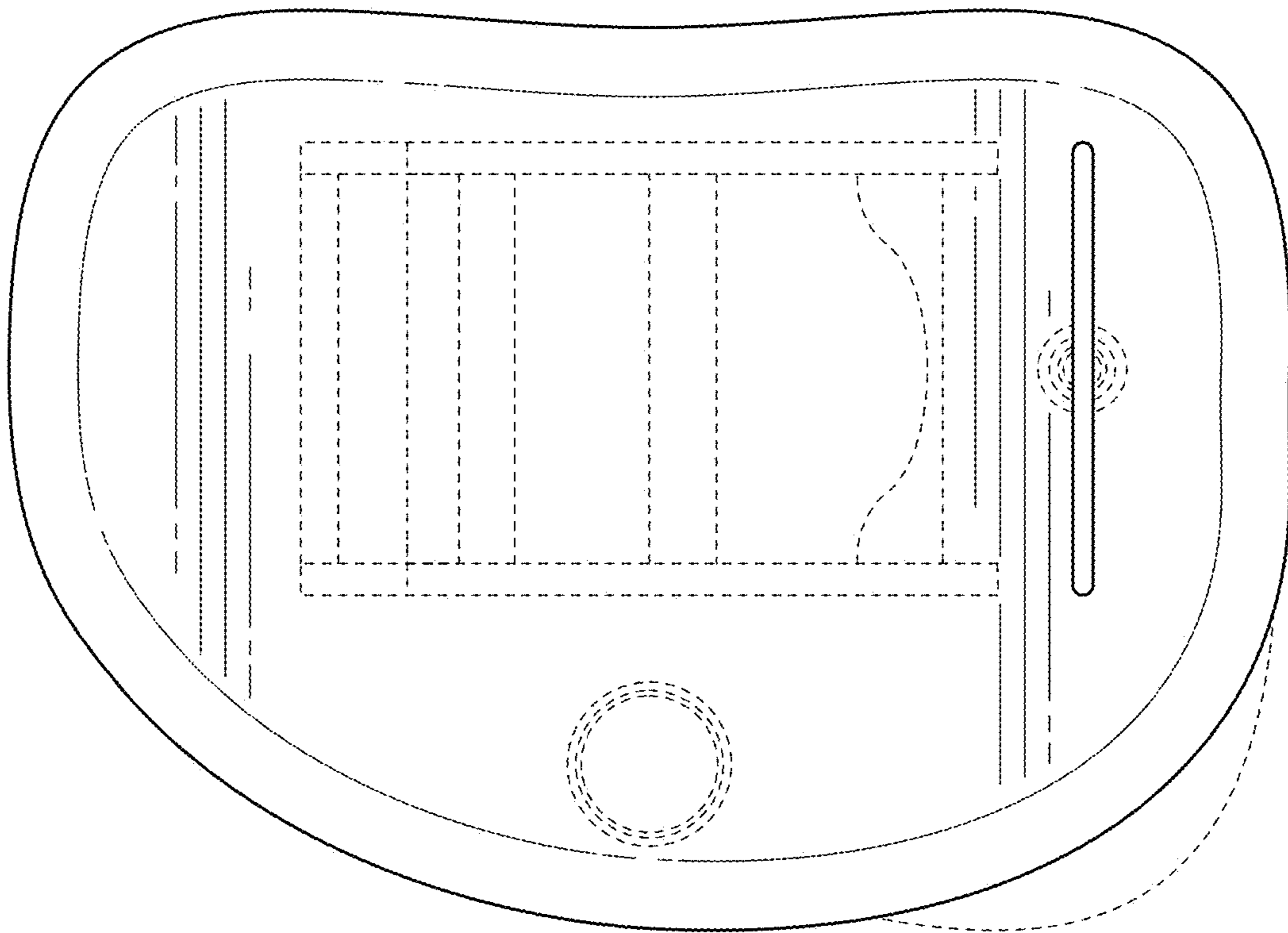


FIG. 2.2

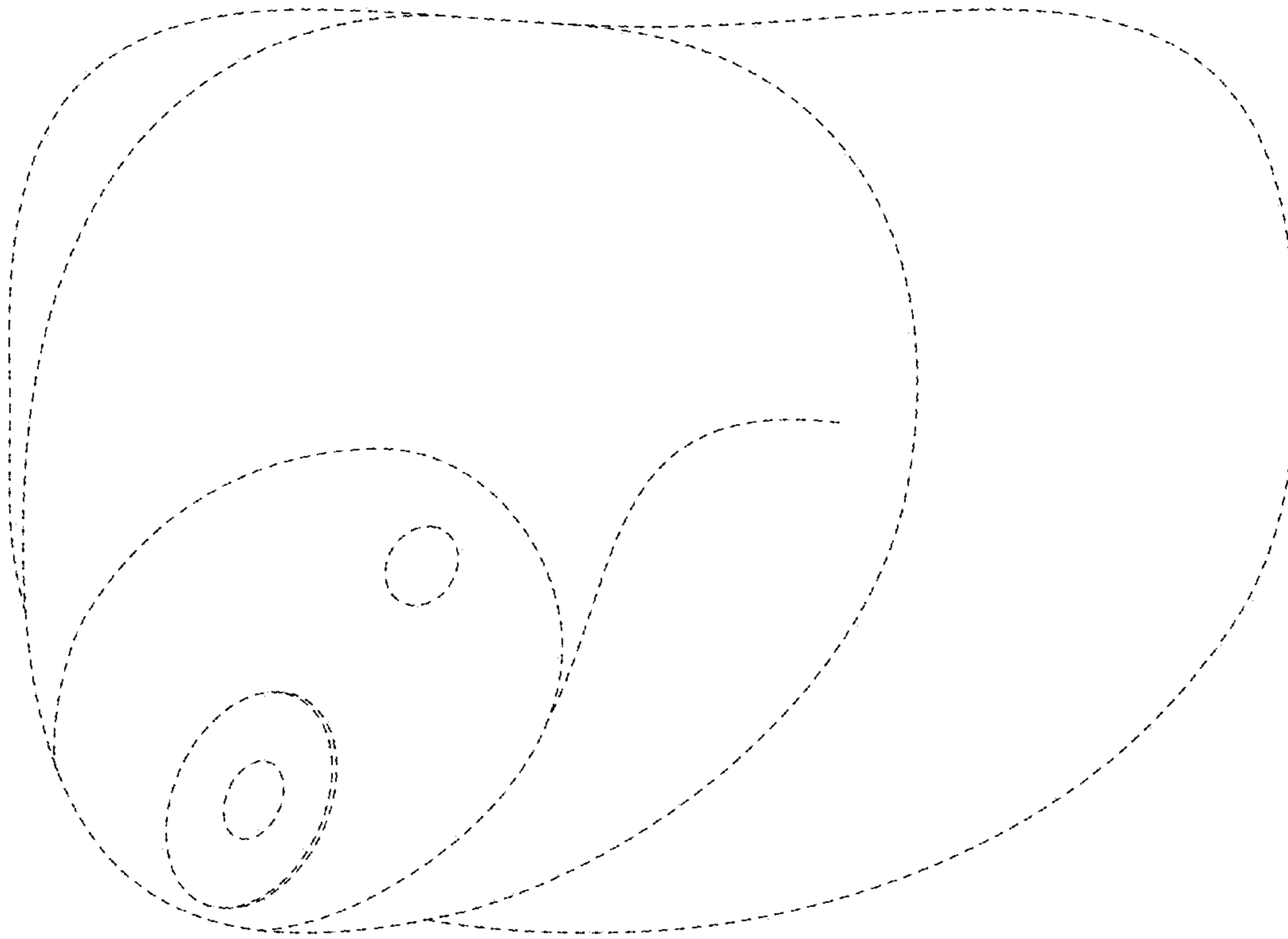


FIG. 2.3

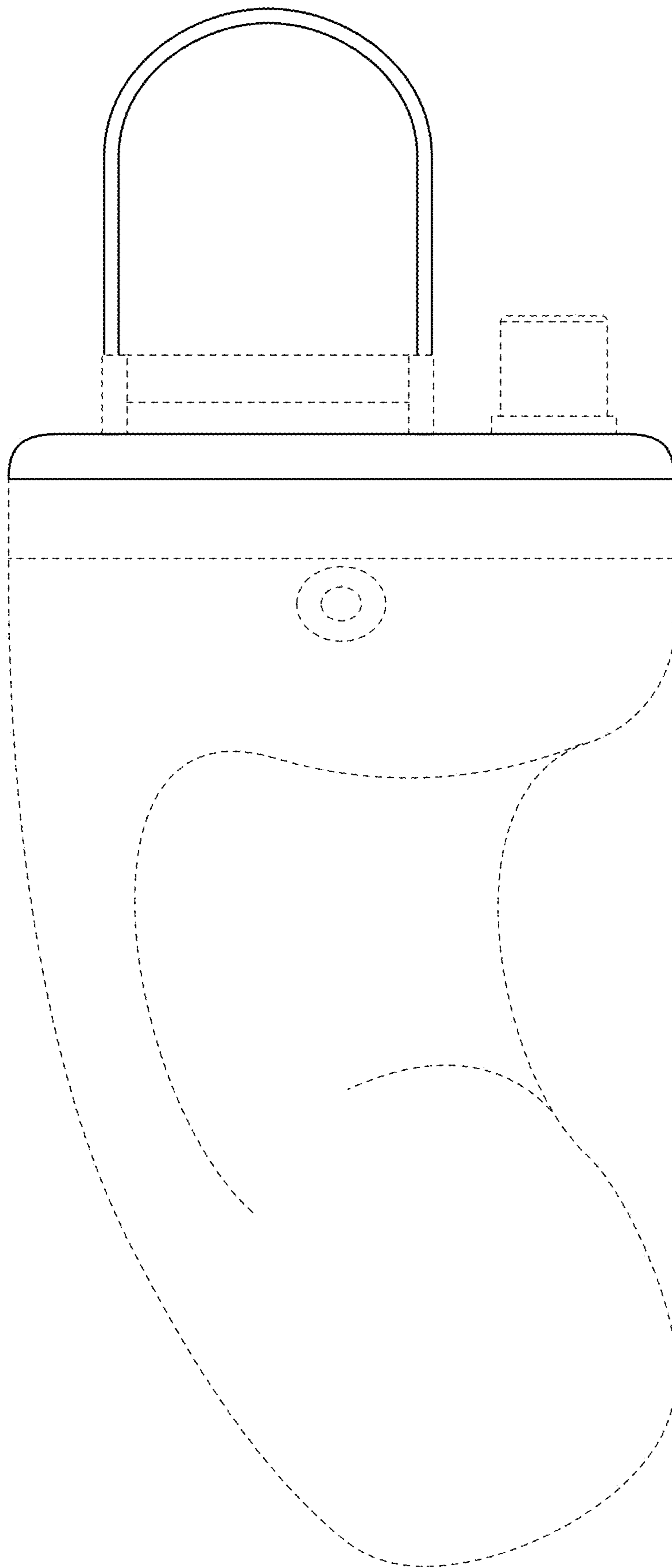


FIG. 2.4

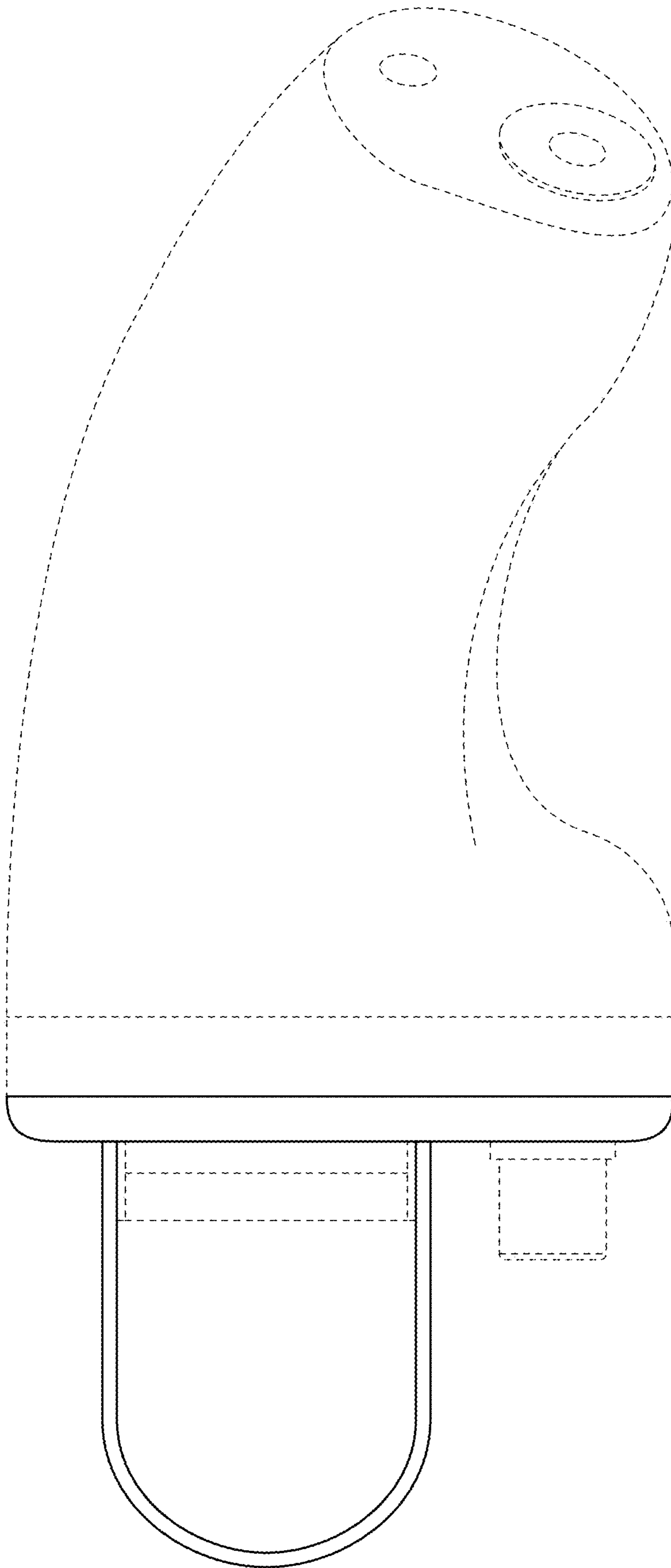


FIG. 2.5

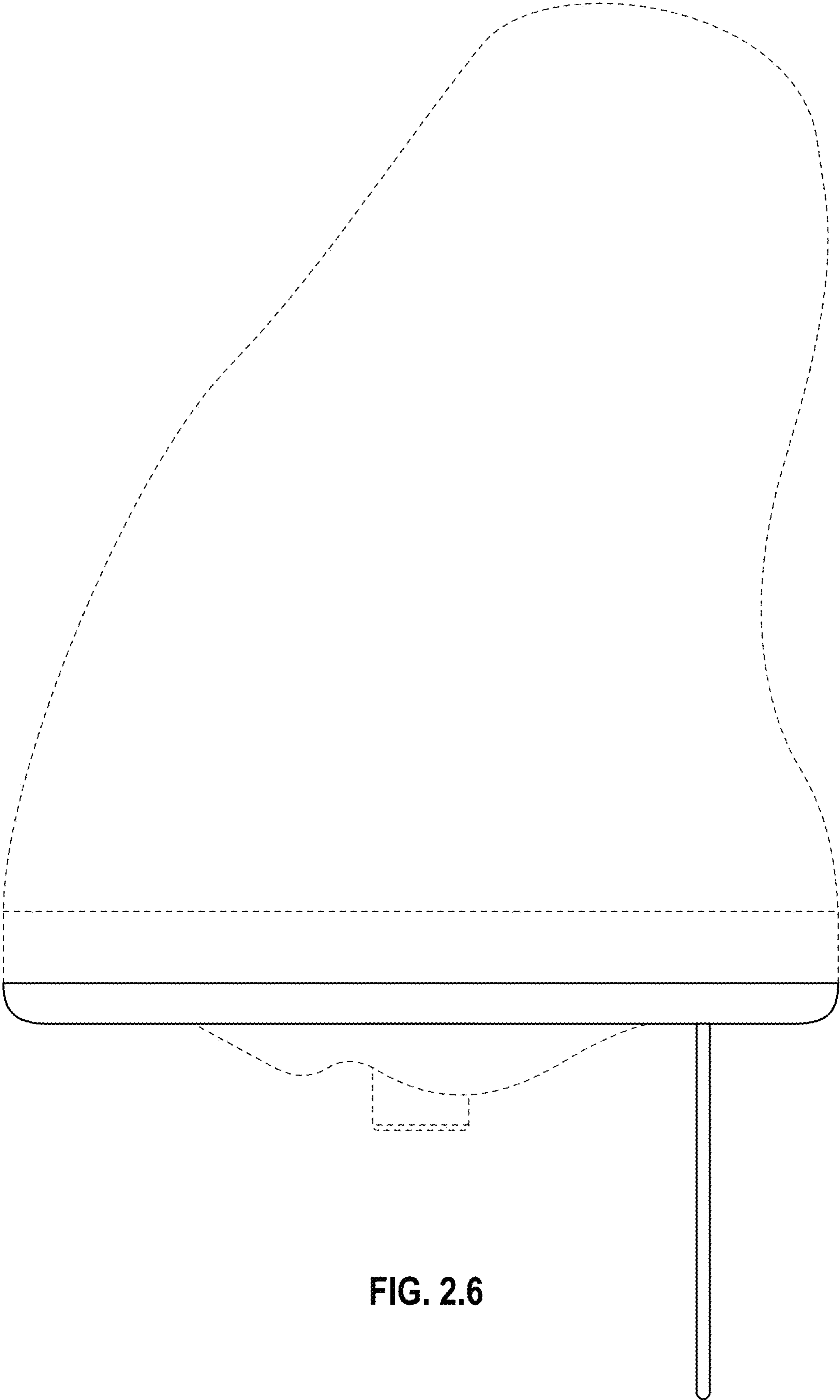


FIG. 2.6

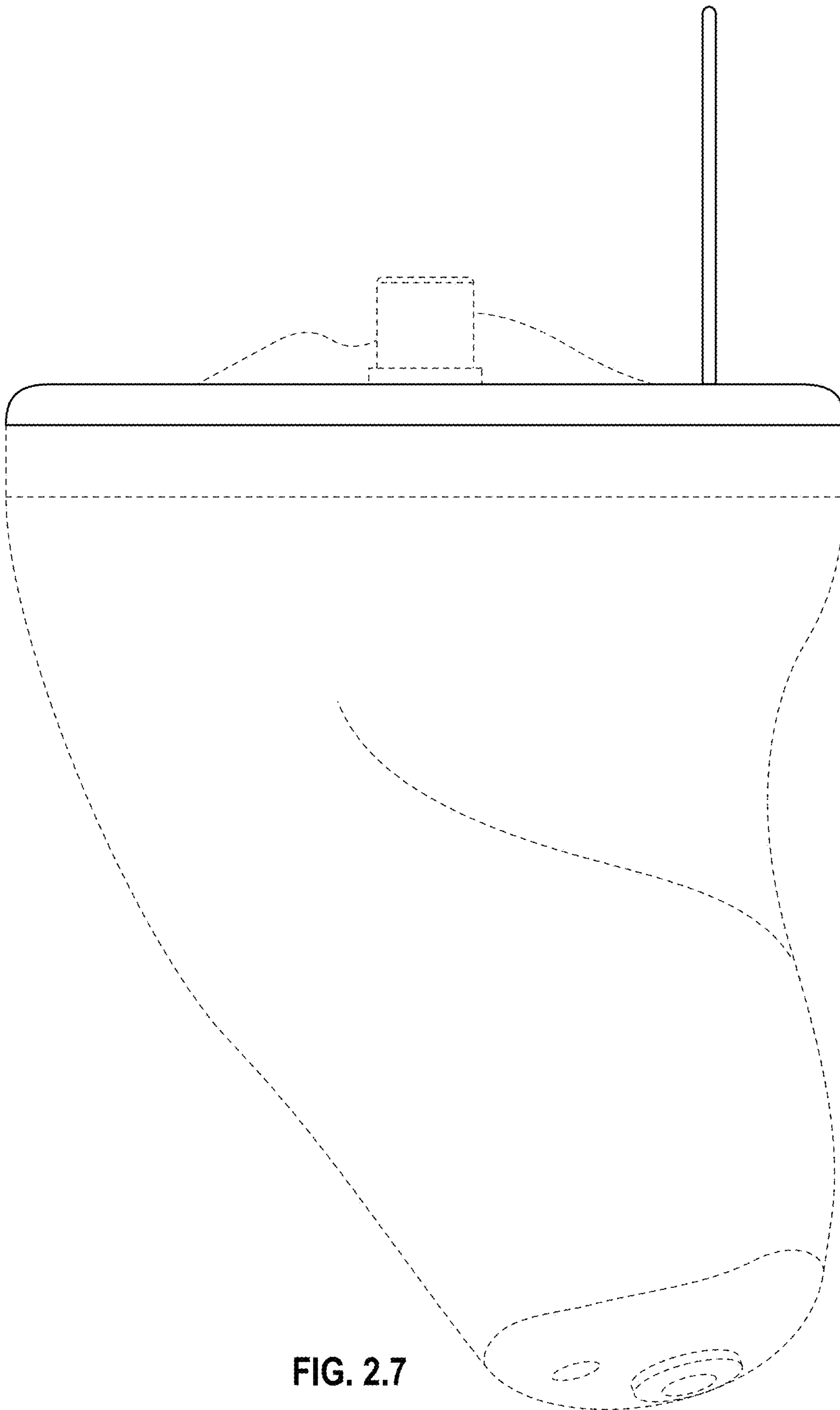


FIG. 2.7