



US00D906523S

(12) **United States Design Patent** (10) **Patent No.:** **US D906,523 S**
Pellissard et al. (45) **Date of Patent:** **** Dec. 29, 2020**

(54) **ORAL CAVITY IMAGE ACQUISITION DEVICE**

(71) Applicant: **DENTAL MONITORING**, Paris (FR)

(72) Inventors: **Thomas Pellissard**, Clichy (FR);
Louis-Charles Roisin, Paris (FR);
Cédric Lançon, Villers-Farlay (FR);
Laurent Debraux, Paris (FR); **Rémi Charreau**, Paris (FR); **Philippe Salah**, Paris (FR)

(**) Term: **15 Years**

(21) Appl. No.: **35/507,581**

(22) Filed: **Mar. 14, 2019**

(80) **Hague Agreement Data**

Int. Filing Date: **Mar. 14, 2019**

Int. Reg. No.: **DM/203555**

Int. Reg. Date: **Mar. 14, 2019**

Int. Reg. Pub. Date: **Nov. 1, 2019**

(51) **LOC (12) Cl.** **24-02**

(52) **U.S. Cl.**
USPC **D24/158**

(58) **Field of Classification Search**
USPC D24/176, 177, 152, 138, 137, 144, 145,
D24/146, 133
CPC A61C 9/0053; A61C 13/34; A61C 7/002;
A61C 13/0019; A61C 9/004; Y10T
29/49567; Y10T 29/49568; G06T 17/00;
G06T 2207/30036

See application file for complete search history.

(56) **References Cited**

U.S. PATENT DOCUMENTS

3,539,805 A *	11/1970	Shiller	A61B 6/14 378/38
D551,347 S *	9/2007	Baba	D24/158
D655,012 S *	2/2012	Nanda	D24/176
D669,587 S *	10/2012	Mayer	D14/250
D844,147 S *	3/2019	Benedikter	D24/177
D884,183 S *	5/2020	Takahashi	D24/158

* cited by examiner

Primary Examiner — Eliza Z Bennett-Hattan

(57) **CLAIM**

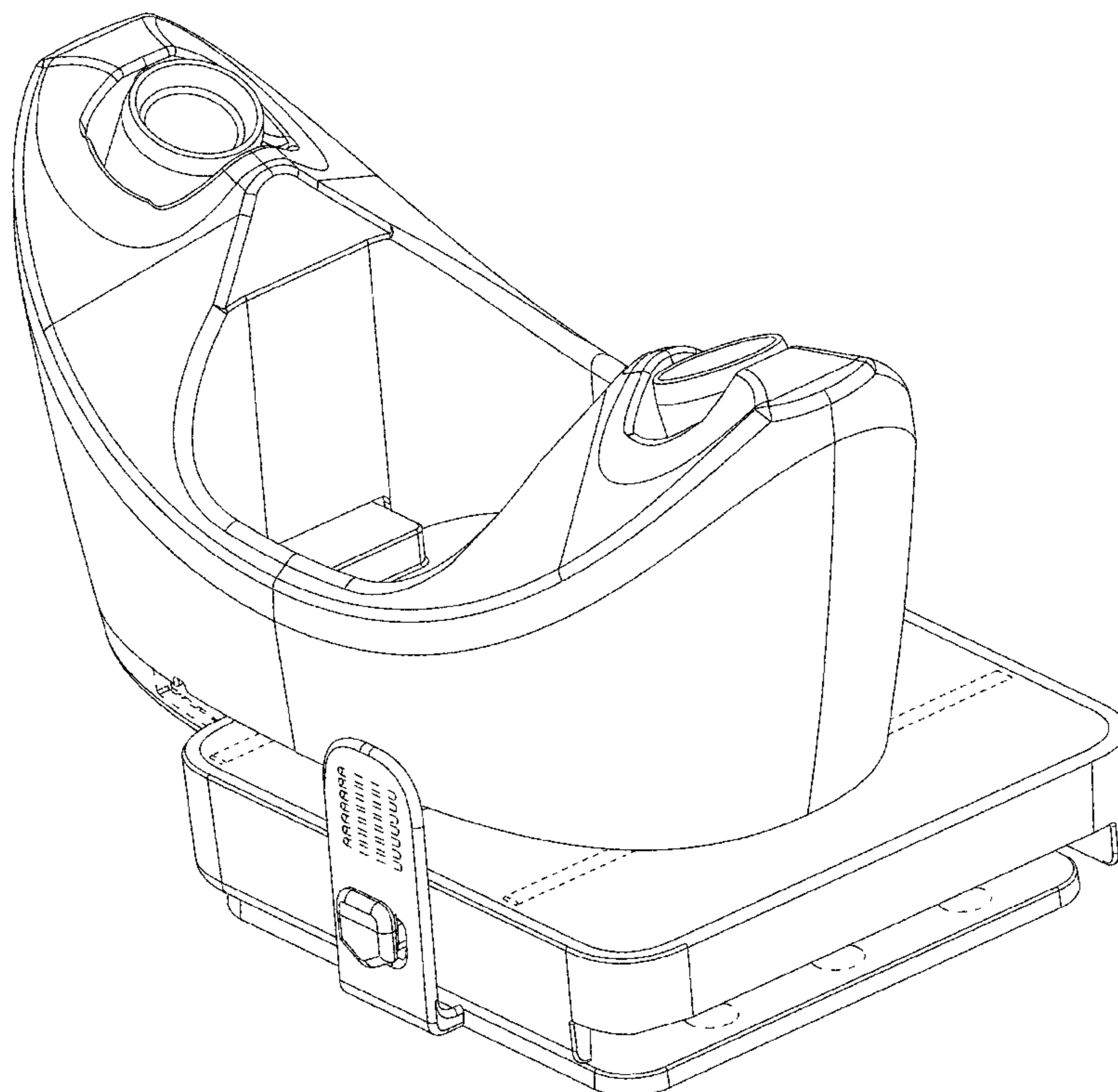
The ornamental design for an oral cavity image acquisition device, as shown and described.

DESCRIPTION

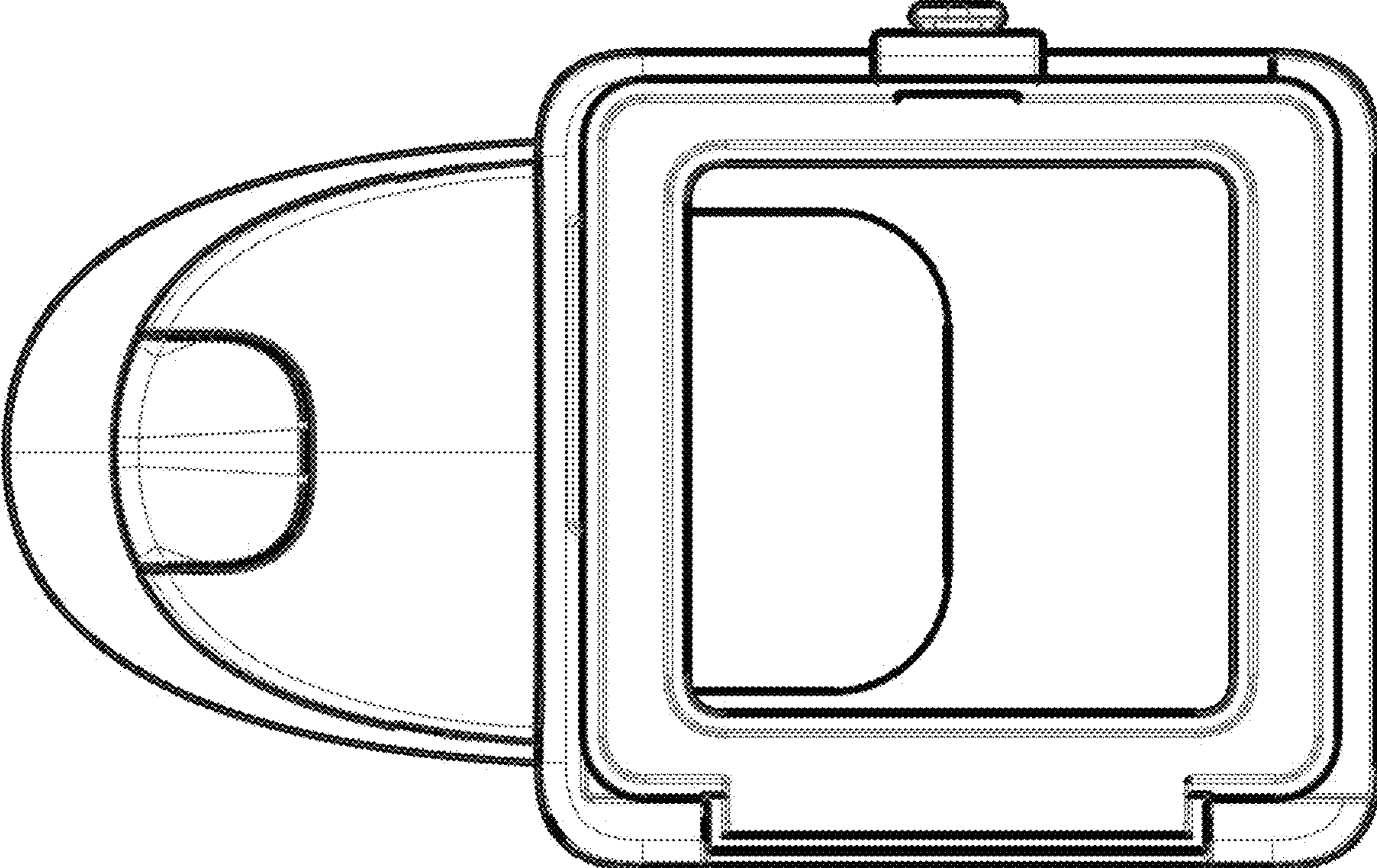
1. Oral cavity image acquisition device.
- 1.1 is a front view of an oral cavity image acquisition device;
- 1.2 is a back side view thereof;
- 1.3 is a top side view thereof;
- 1.4 is a bottom view thereof;
- 1.5 is a front perspective view thereof;
- 1.6 is a back perspective thereof; and
- 1.7 is a side view thereof.

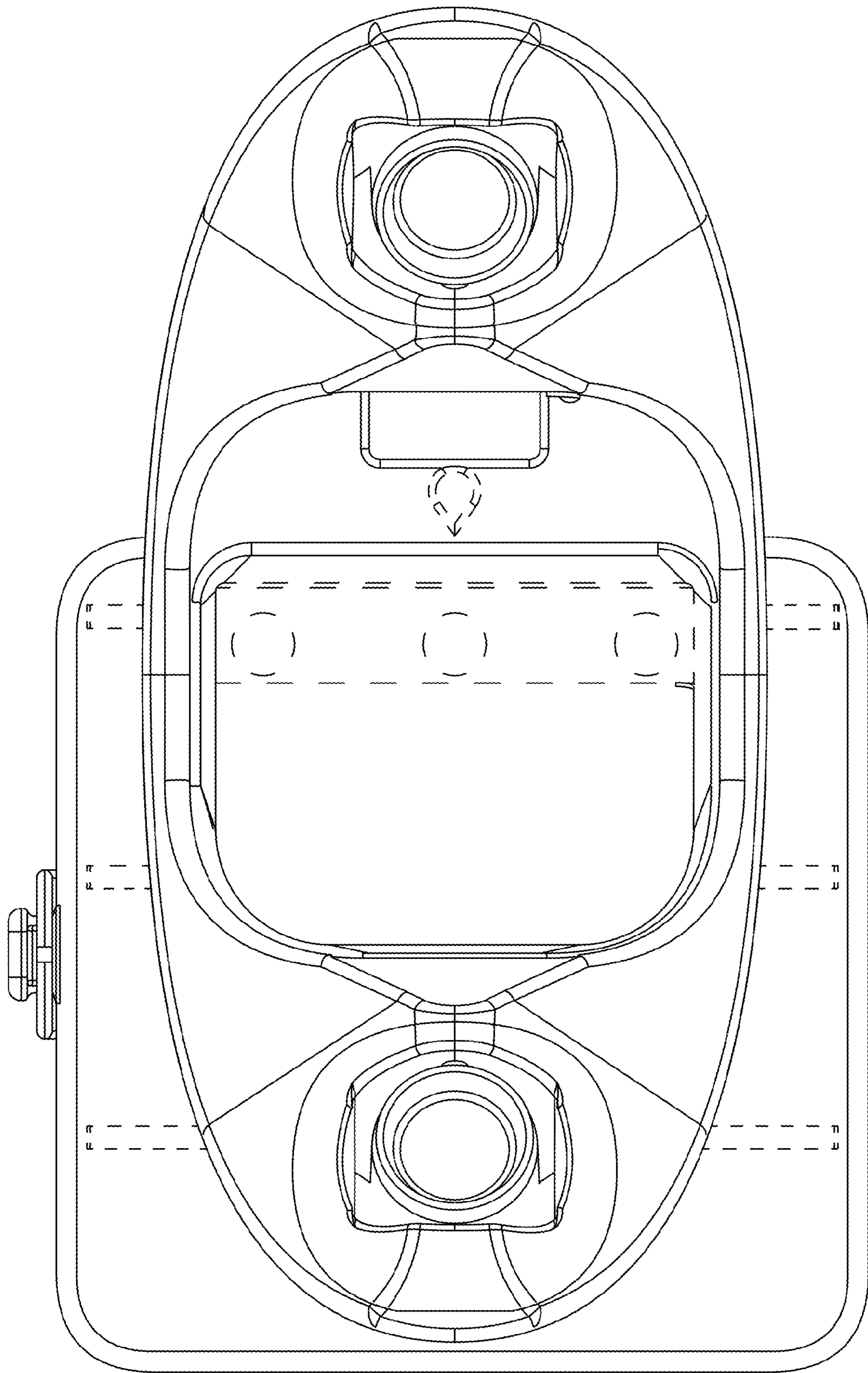
The portions of the oral cavity image acquisition device shown in broken lines form no part of the claimed design.

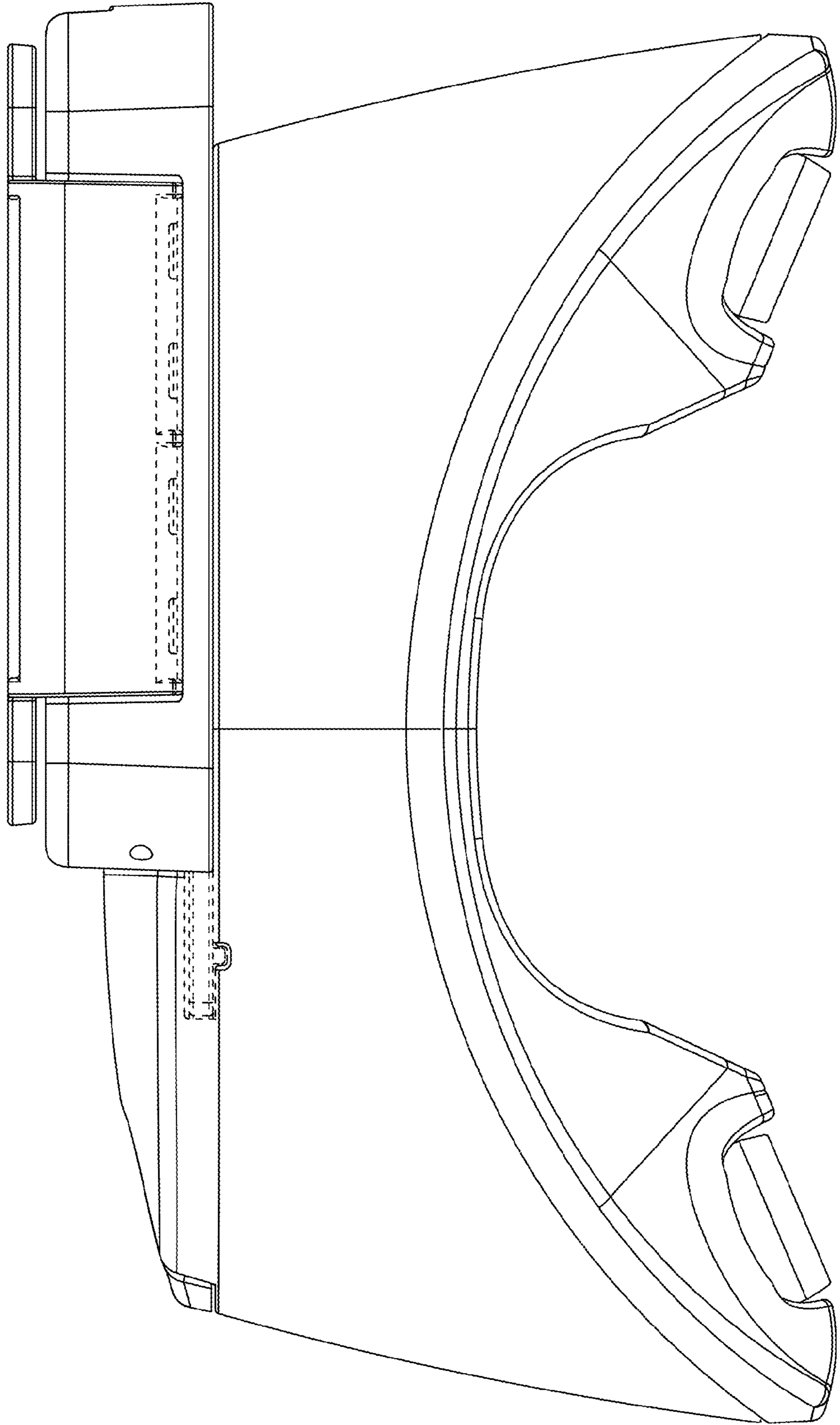
1 Claim, 7 Drawing Sheets

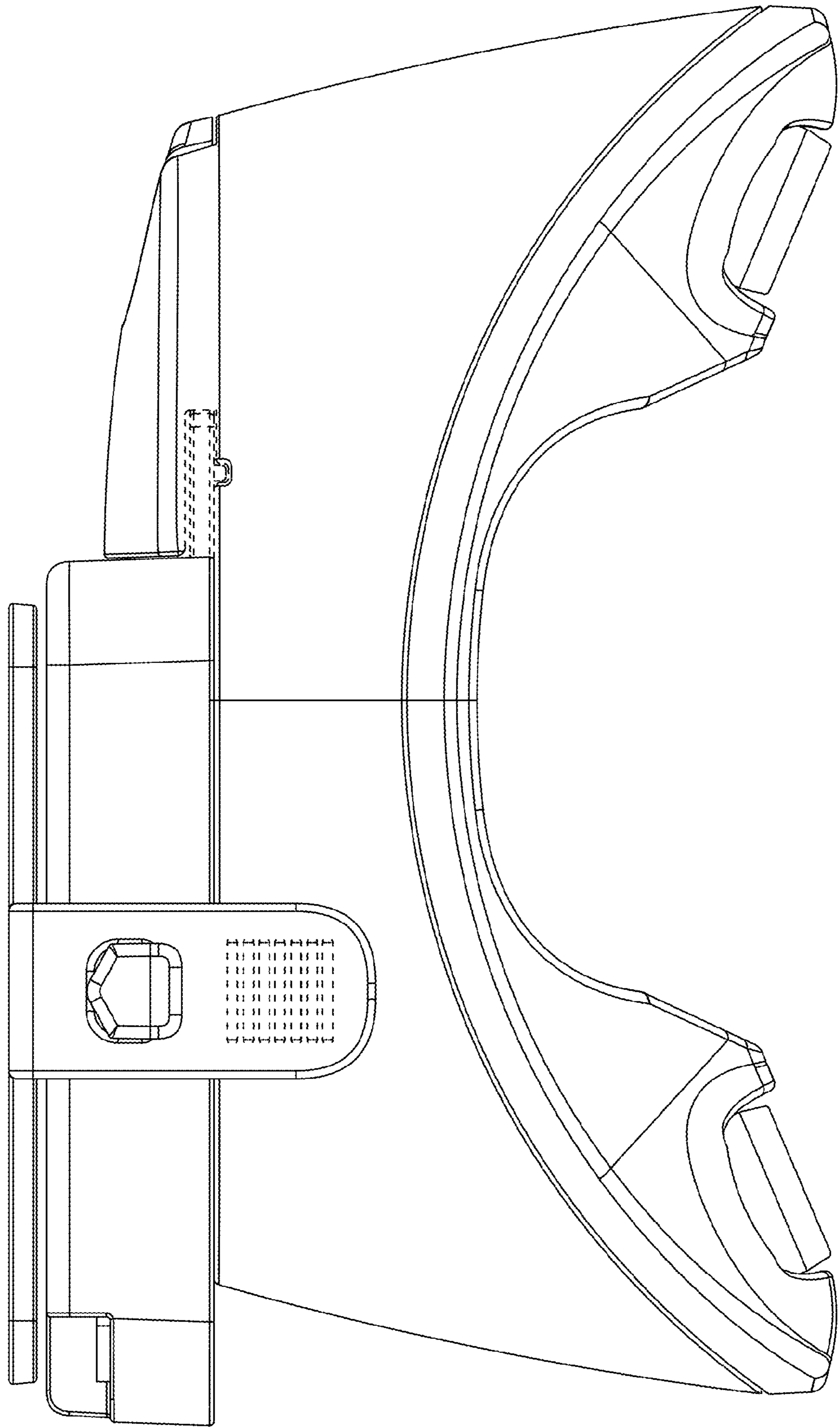


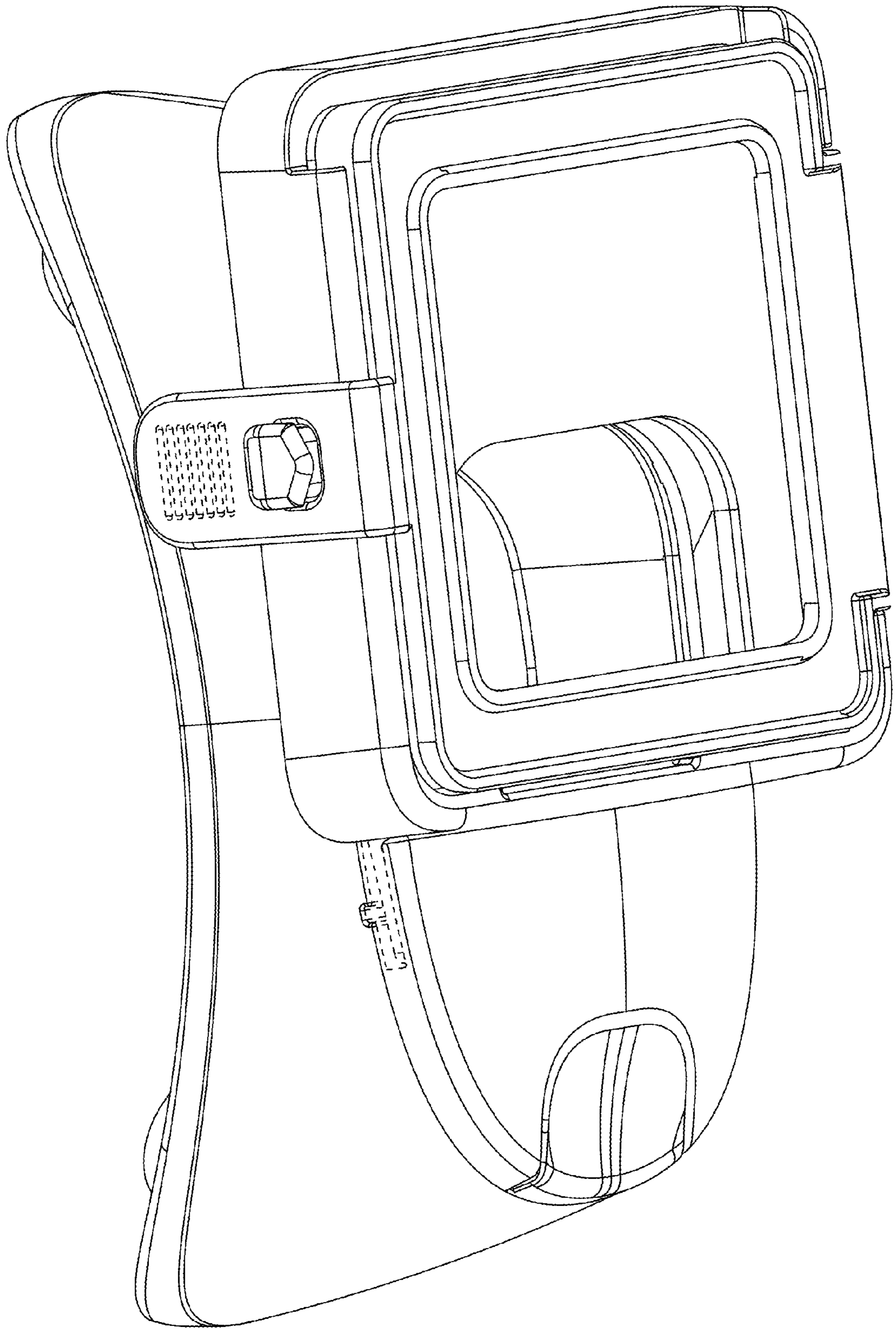
1.1



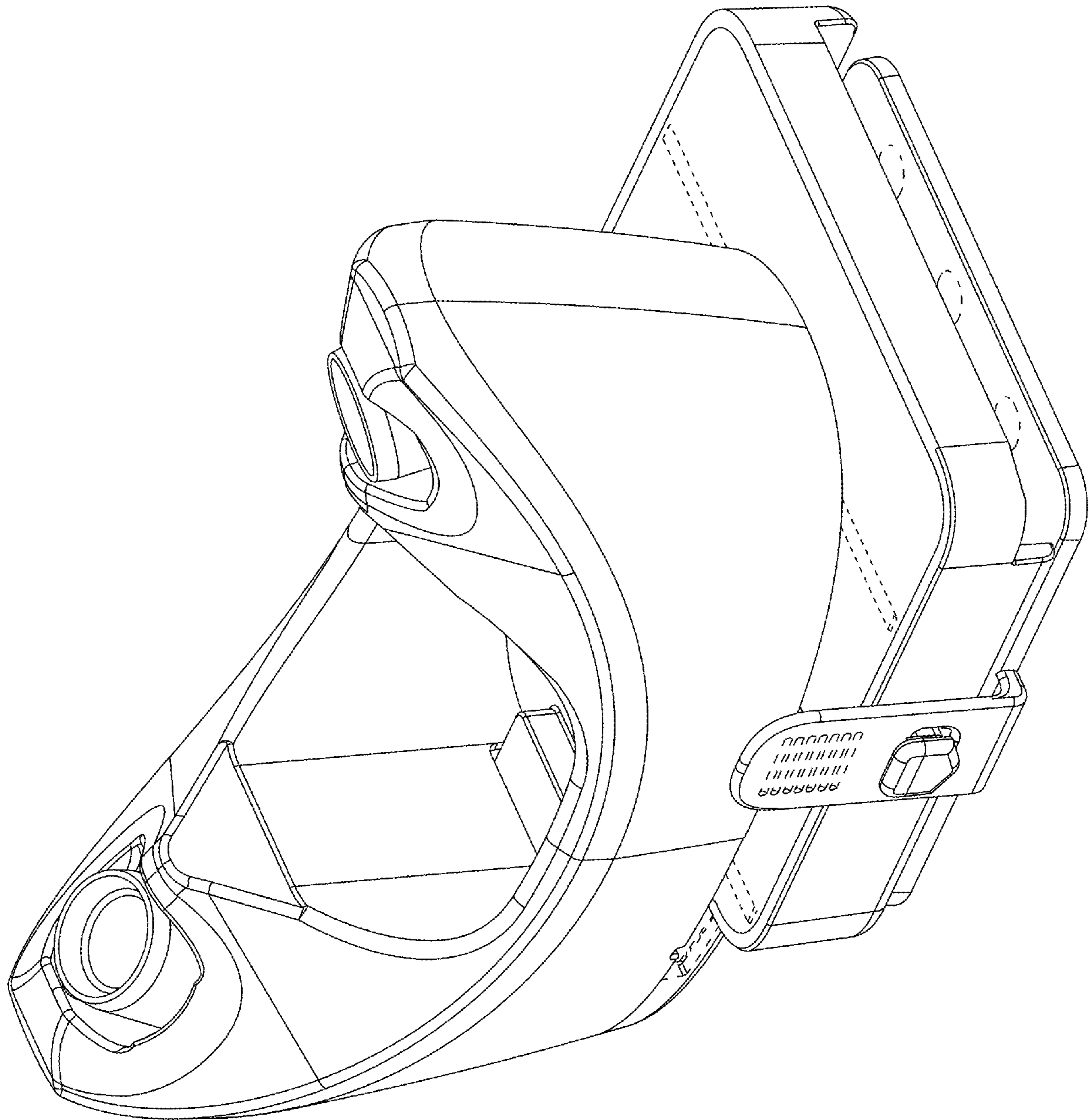








1.5



1.6

1.7

