



US00D906521S

(12) **United States Design Patent** (10) **Patent No.:** **US D906,521 S**
Fujisaki et al. (45) **Date of Patent:** **** Dec. 29, 2020**

(54) **COMBINED ULTRASONIC TREATMENT DEVICE AND PROBE FOR ARTHROSCOPIC SURGERY**

(71) Applicant: **OLYMPUS CORPORATION**,
Hachioji (JP)

(72) Inventors: **Ken Fujisaki**, Sagamihara (JP);
Takamitsu Sakamoto, Hachioji (JP);
Hiroyuki Araki, Hachioji (JP); **Hideto Yoshimine**, Hachioji (JP); **Yasuyuki Matsumura**, Hachioji (JP); **Naoyuki Suido**, Sagamihara (JP)

(73) Assignee: **OLYMPUS CORPORATION**, Tokyo (JP)

(**) Term: **15 Years**

(21) Appl. No.: **29/694,632**

(22) Filed: **Jun. 12, 2019**

(51) **LOC (12) Cl.** **24-02**

(52) **U.S. Cl.**
USPC **D24/146**

(58) **Field of Classification Search**
USPC D24/127, 130, 133, 146, 147, 106, 108, D24/109, 112, 187, 196, 200, 210, 214, D24/113, 114, 115, 116, 117, 134, 136, D24/137; D8/14, 16, 19, 21, 34, 77, 82, D8/83, 84, 85, 86, 107, 300, 303, 314, D8/372, 374, 394; D7/649; D19/110, D19/115
CPC A61B 2017/00398; A61B 2017/00473; A61B 2017/0046; A61B 2017/00464; A61B 2017/00477; A61B 2017/07285; A61B 17/2909; A61B 2017/0023; A61B 2017/2925; A61B 17/00; A61B 17/32; A61B 17/3213; A61B 17/29; A61B 2017/2927; A61B 34/71; A61B 34/70; A61B 17/320068; A61B 2017/320073; A61B 17/16; A61B 2017/320072; A61B 17/320016; A61B 17/1675; A61B

(Continued)

(56) **References Cited**

U.S. PATENT DOCUMENTS

5,454,365 A * 10/1995 Bonutti A61B 17/0218
600/204
D462,446 S * 9/2002 Felix D24/187
D603,046 S * 10/2009 Frey D24/133

(Continued)

Primary Examiner — Samantha Q Lawrence

(74) *Attorney, Agent, or Firm* — Oliff PLC

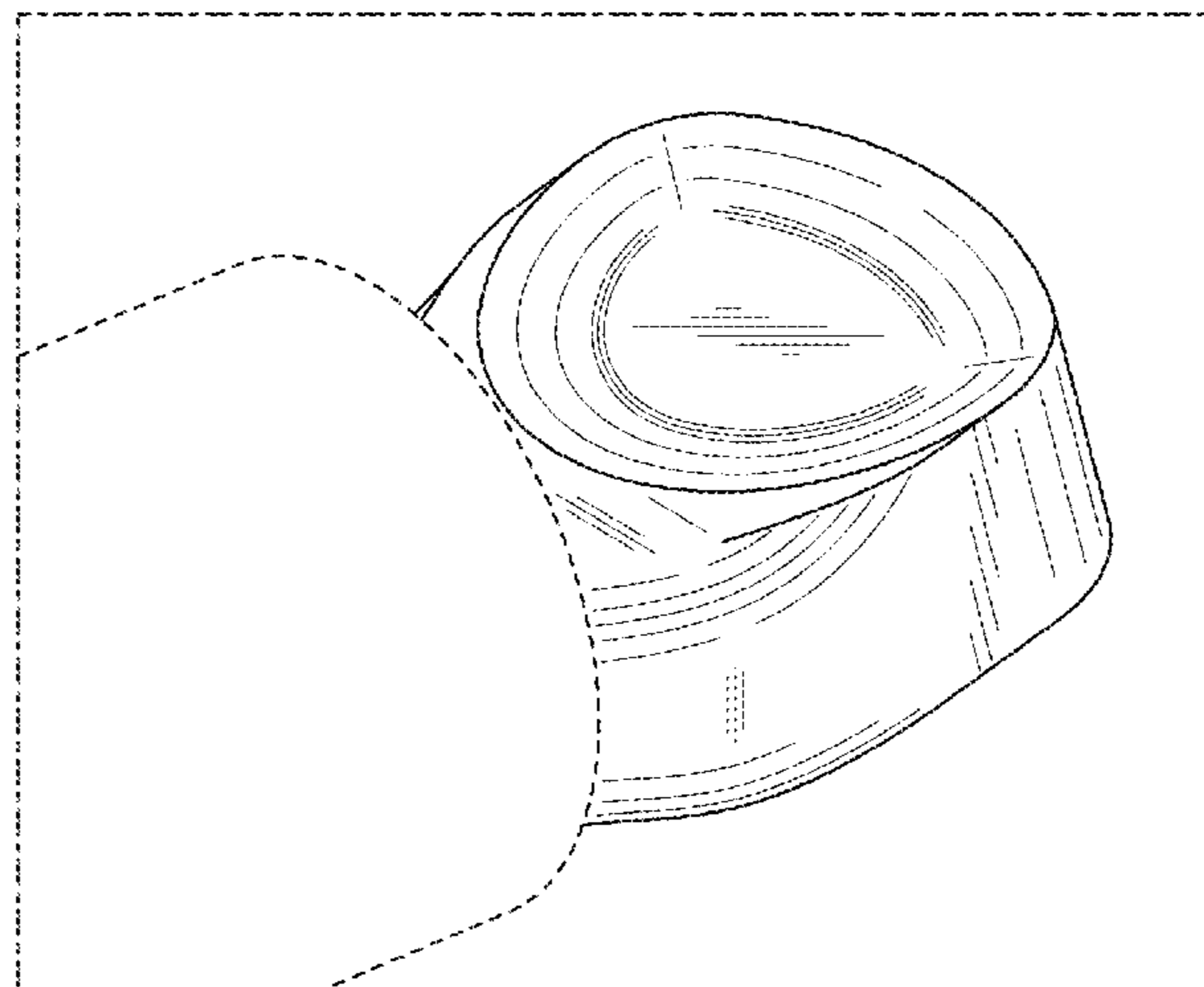
(57) **CLAIM**

The ornamental design for a combined ultrasonic treatment device and probe for arthroscopic surgery, as shown and described.

DESCRIPTION

FIG. 1 is a front, top and right-side perspective view of a combined ultrasonic treatment device and probe for arthroscopic surgery, showing the new design;
FIG. 2 is a rear, bottom and left-side perspective view thereof;
FIG. 3 is a front elevational view thereof;
FIG. 4 is a rear elevational view thereof;
FIG. 5 is a top plan view thereof;
FIG. 6 is a bottom plan view thereof;
FIG. 7 is a right-side view thereof;
FIG. 8 is a left-side view thereof;
FIG. 9 is an enlarged view of area 9 indicated by the dot-dash chain broken line indicia in FIG. 1; and,
FIG. 10 is an enlarged view of area 10 indicated by the dot-dash chain broken line indicia in FIG. 2.
The broken lines depict portions of the combined ultrasonic treatment device and probe for arthroscopic surgery that form no part of the claimed design. The dot-dash chain broken lines depict enlargement areas, and thus form no part of the claimed design.

1 Claim, 6 Drawing Sheets



(58) **Field of Classification Search**

CPC 2017/32007; A61B 2017/320078; F16H
19/06; Y10T 74/18832

See application file for complete search history.

(56) **References Cited**

U.S. PATENT DOCUMENTS

D612,049 S * 3/2010 Baynham D24/146
D627,463 S * 11/2010 Voic D24/144
D728,802 S * 5/2015 Matsumura D24/187
D733,300 S * 6/2015 Bennett D24/147
D745,972 S * 12/2015 Kitayama D24/187
D749,730 S * 2/2016 Dietz D24/146
9,585,675 B1 * 3/2017 Germain A61B 18/148
9,931,024 B2 * 4/2018 Hatano A61B 1/0051
D826,404 S * 8/2018 Baerthele D24/138
D837,390 S * 1/2019 Harada D24/187
D865,170 S * 10/2019 Suzuki D24/138
D870,886 S * 12/2019 Funakoshi D24/138
D879,951 S * 3/2020 Kucklick D24/112
10,617,287 B2 * 4/2020 Daidoji A61B 1/0661
10,631,882 B2 * 4/2020 Boger A61B 17/1659
D885,572 S * 5/2020 Sekikawa D24/130
10,660,504 B2 * 5/2020 Nakamura A61B 1/0055
2006/0235306 A1 * 10/2006 Cotter A61B 17/1688
600/459
2014/0296901 A1 * 10/2014 Derwin A61B 17/3421
606/185

* cited by examiner

FIG. 1

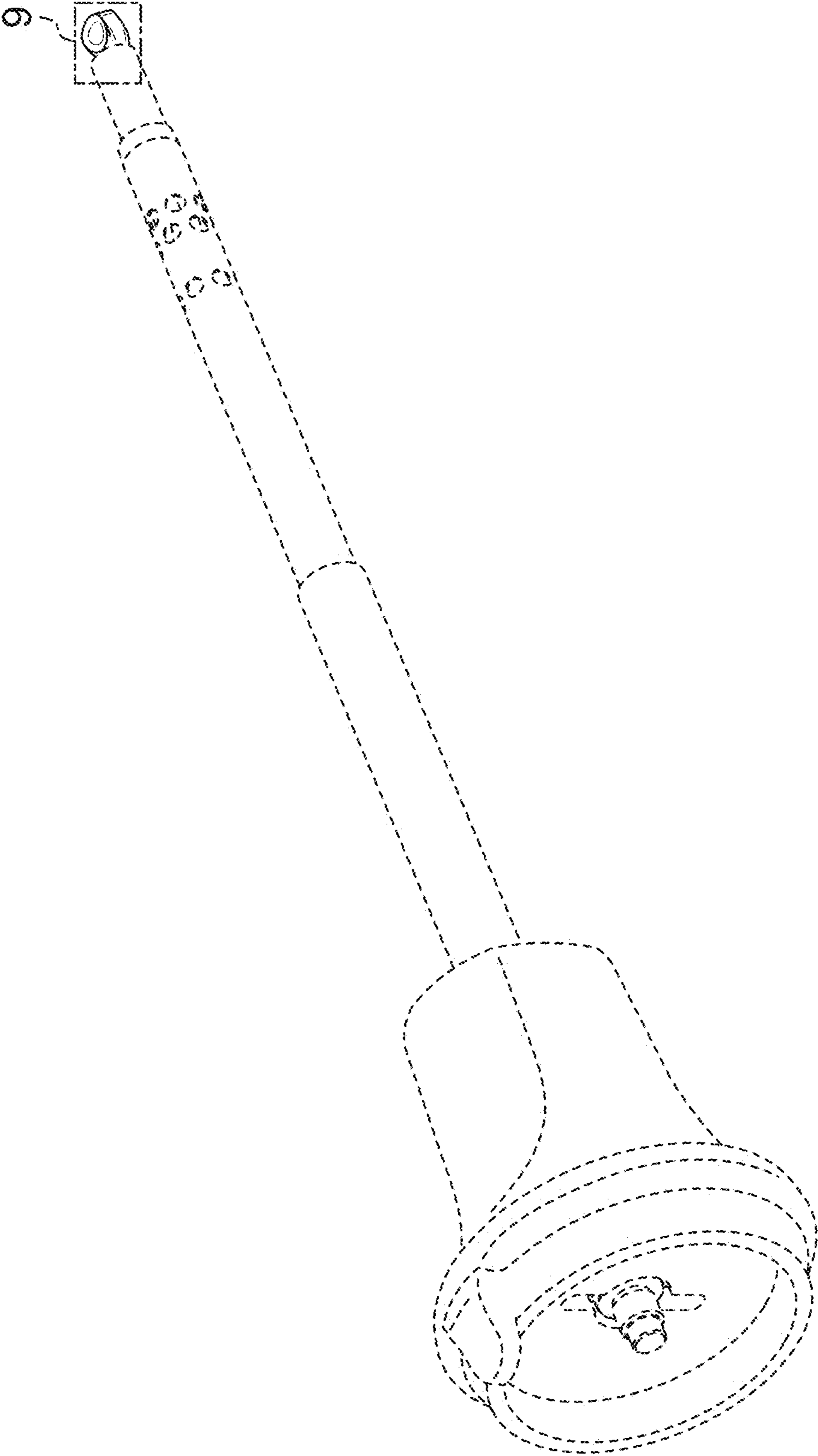


FIG. 2

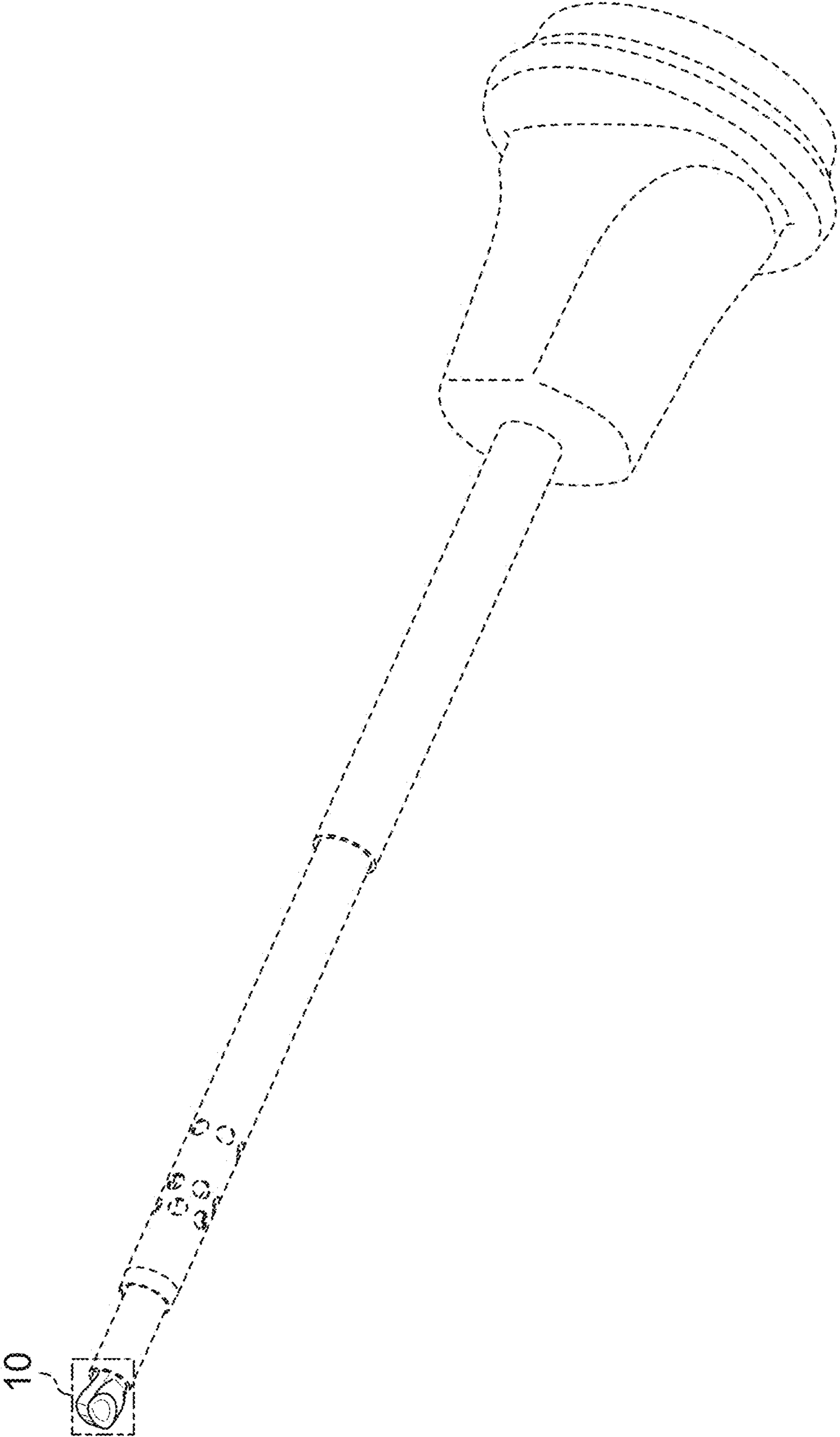


FIG. 3

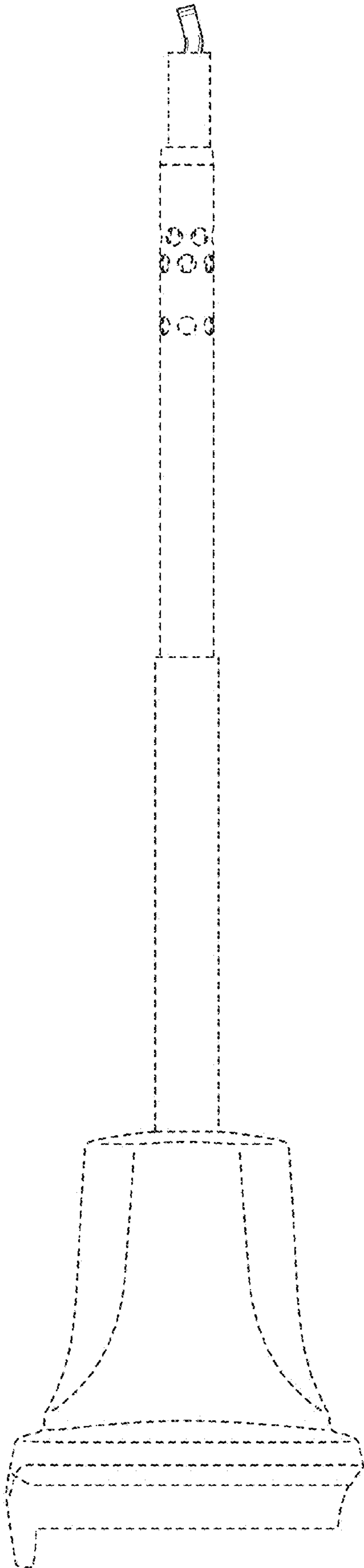


FIG. 4

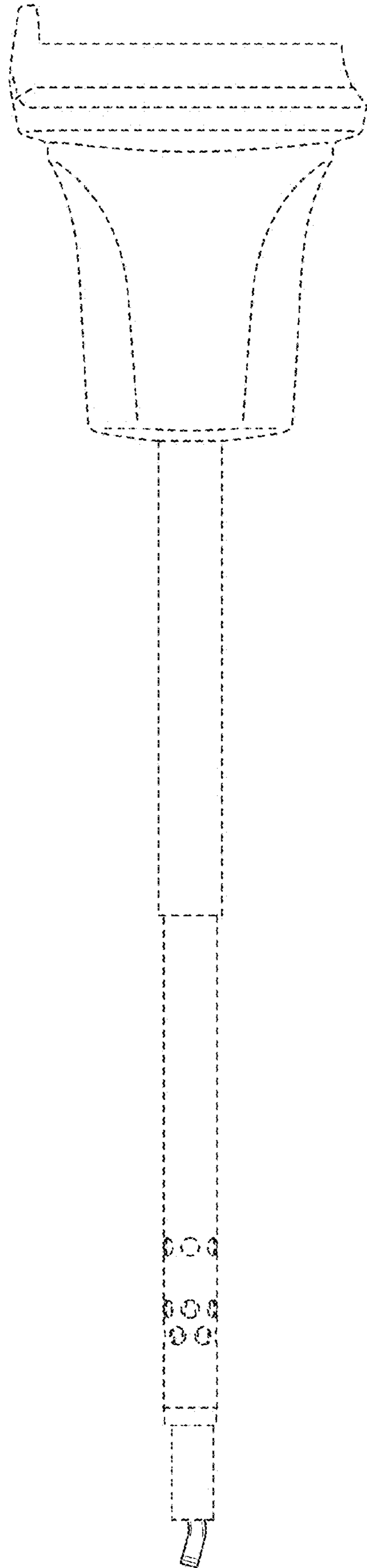


FIG. 5

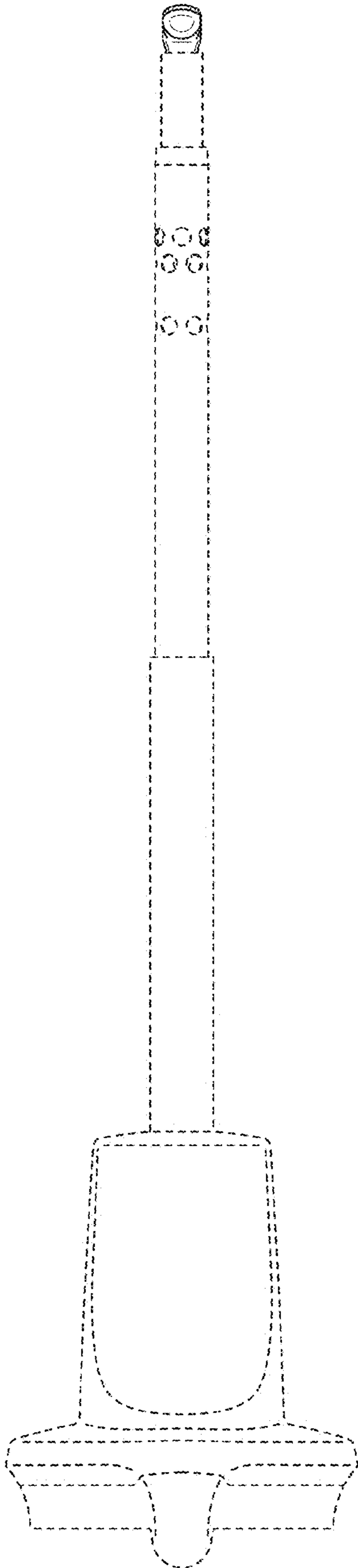


FIG. 6

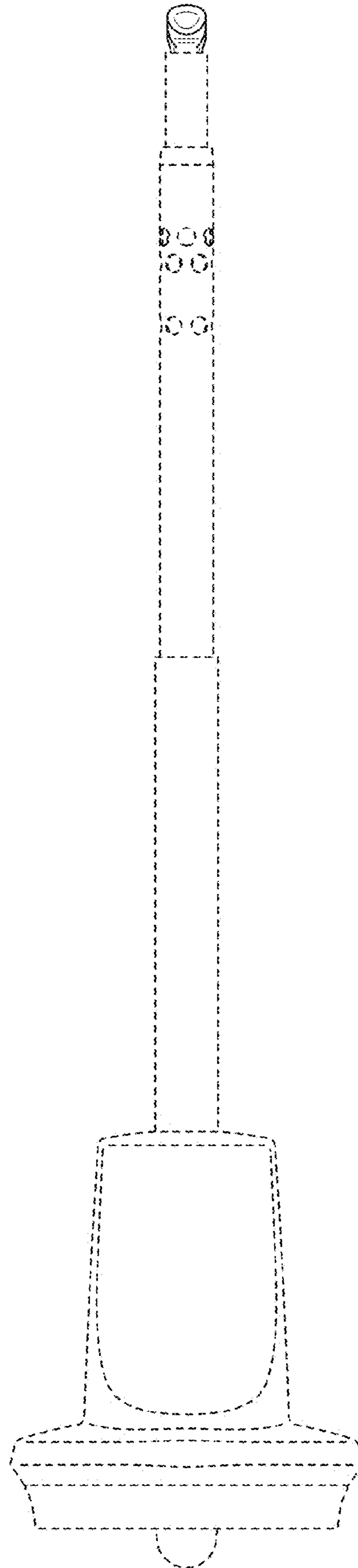


FIG. 7

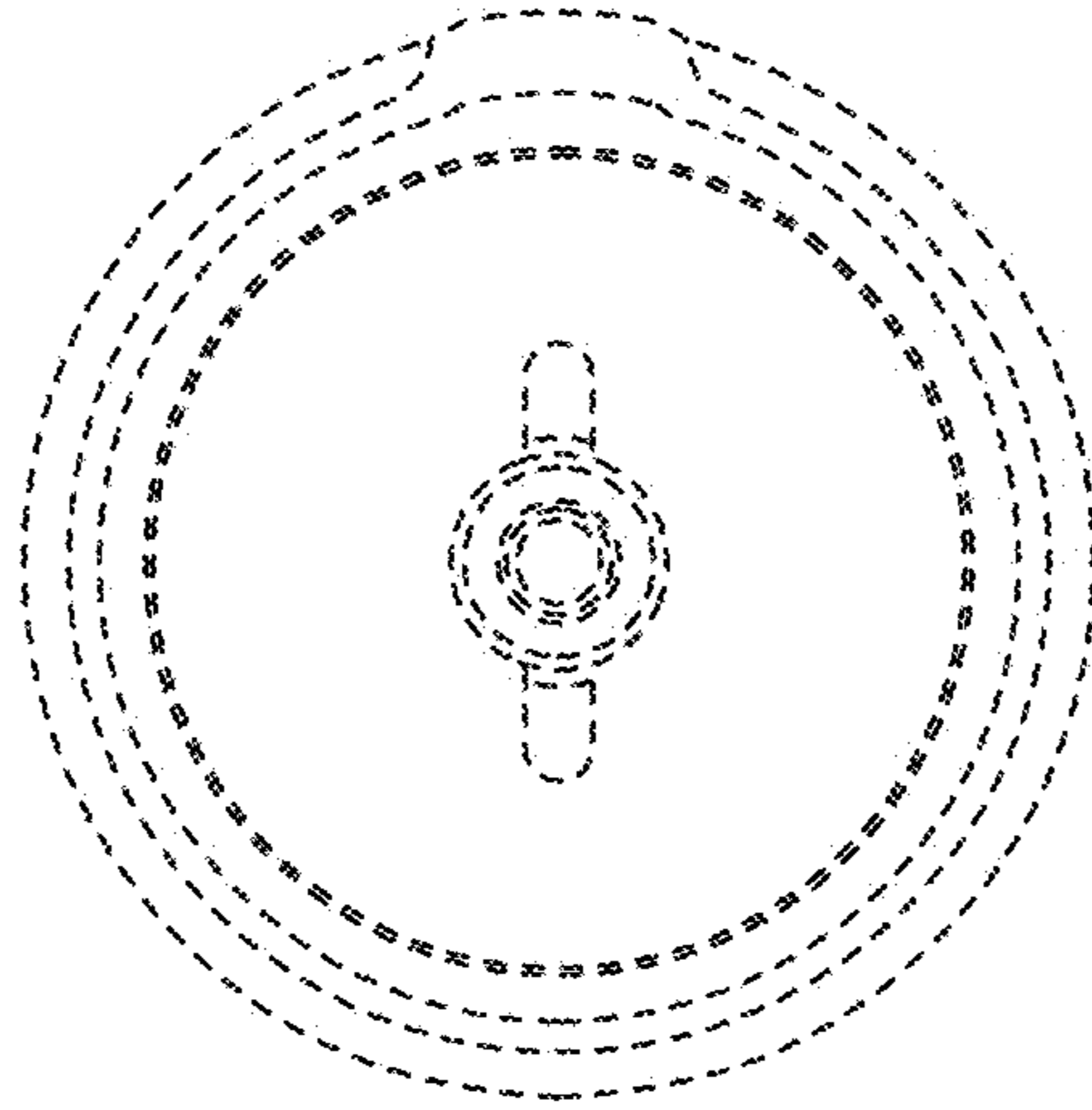


FIG. 8

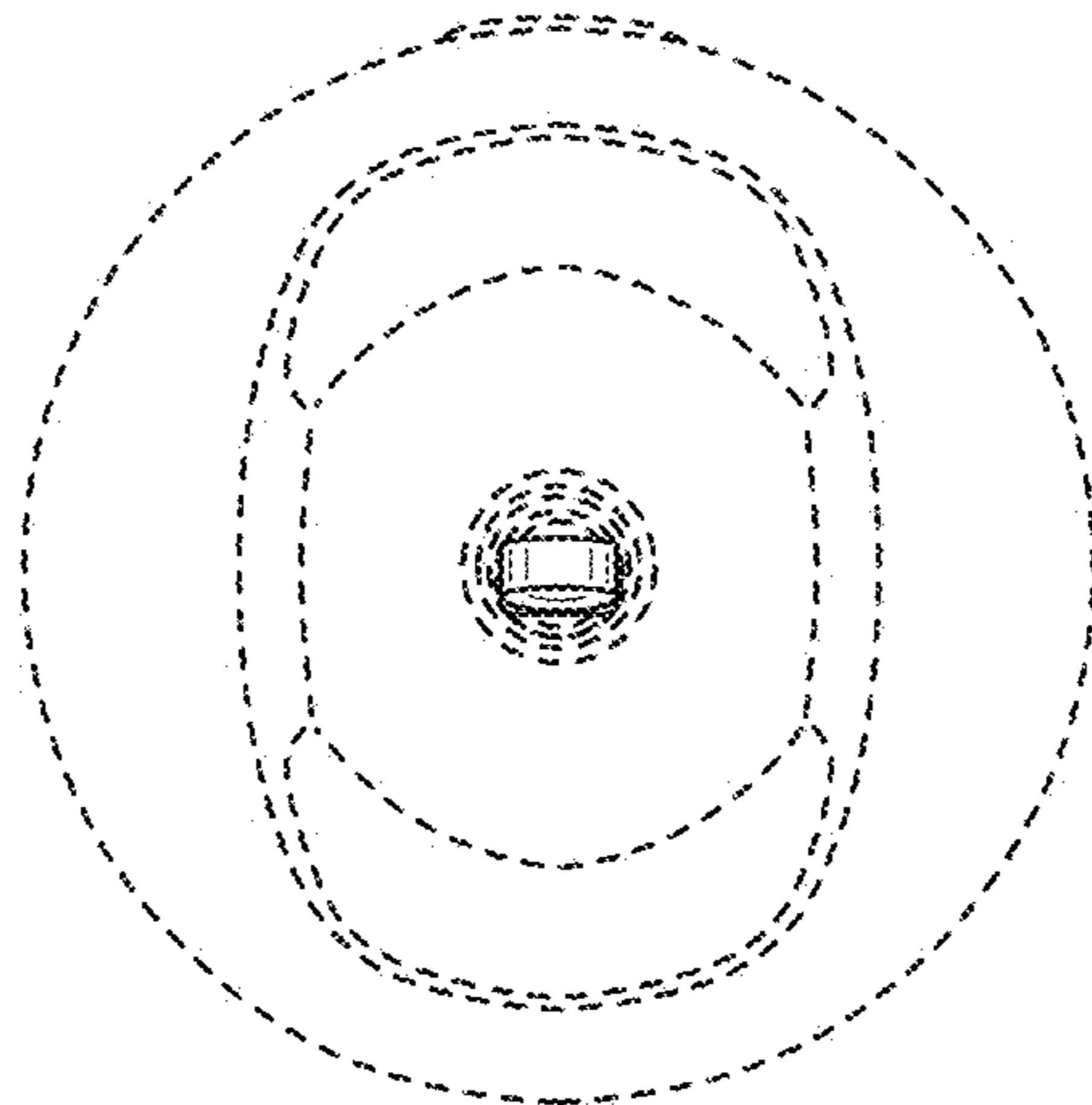


FIG. 9

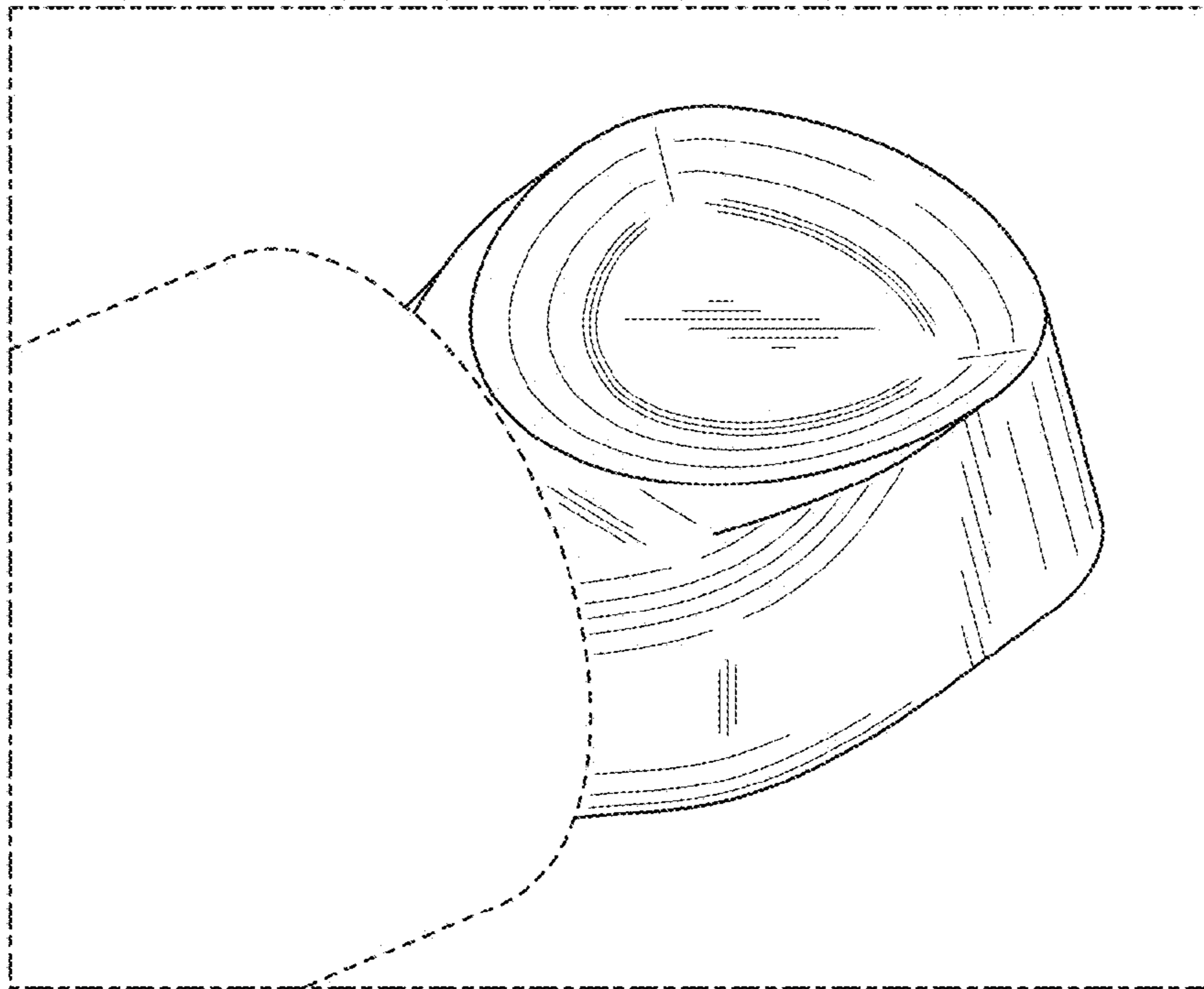


FIG. 10

