



US00D906520S

(12) **United States Design Patent** (10) **Patent No.:** **US D906,520 S**
Wang (45) **Date of Patent:** **** Dec. 29, 2020**

- (54) **MOTOR TATTOO PEN**
- (71) Applicant: **Yiwu Solong Electronic Technology Co., Ltd., Jinhua (CN)**
- (72) Inventor: **Quansen Wang, Jinhua (CN)**
- (73) Assignee: **Yiwu Solong Electronic Technology Co., Ltd., Jinhua (CN)**
- (**) Term: **15 Years**
- (21) Appl. No.: **29/654,580**
- (22) Filed: **Jun. 26, 2018**
- (51) **LOC (12) Cl.** **24-02**
- (52) **U.S. Cl.**
USPC **D24/146**
- (58) **Field of Classification Search**
USPC D24/133, 144, 146, 147; D8/300;
D28/7; D19/177, 199
CPC A61M 37/00; A61M 37/0076; A61M
37/0084; A61M 37/0092; A61M 5/46;
A61M 5/48; A61M 5/482; A61M 5/2466;
A61M 2207/00; A61M 2207/10; A61B
2017/00473
See application file for complete search history.

(56) **References Cited**

U.S. PATENT DOCUMENTS

- D536,451 S * 2/2007 Haydu D24/144
- D553,738 S * 10/2007 Simonson D24/133
- D555,241 S * 11/2007 Nakanishi D24/133

- D617,904 S * 6/2010 Lai D24/146
- D654,217 S * 2/2012 Brodish D28/7
- D736,374 S * 8/2015 Murakami D24/146
- D805,197 S * 12/2017 Lee D24/144
- D805,198 S * 12/2017 Lee D24/144
- D805,640 S * 12/2017 Lee D24/144
- D837,372 S * 1/2019 Zu D24/144
- D866,762 S * 11/2019 Lee D24/144
- 2010/0191268 A1 * 7/2010 Lee A61M 37/0084
606/185
- 2012/0271335 A1 * 10/2012 Lee A61M 37/0084
606/185
- 2019/0209823 A1 * 7/2019 Veil A61M 37/0076

* cited by examiner

Primary Examiner — Wan Laymon

Assistant Examiner — Clint A Samuel

(74) *Attorney, Agent, or Firm* — Bay State IP, LLC

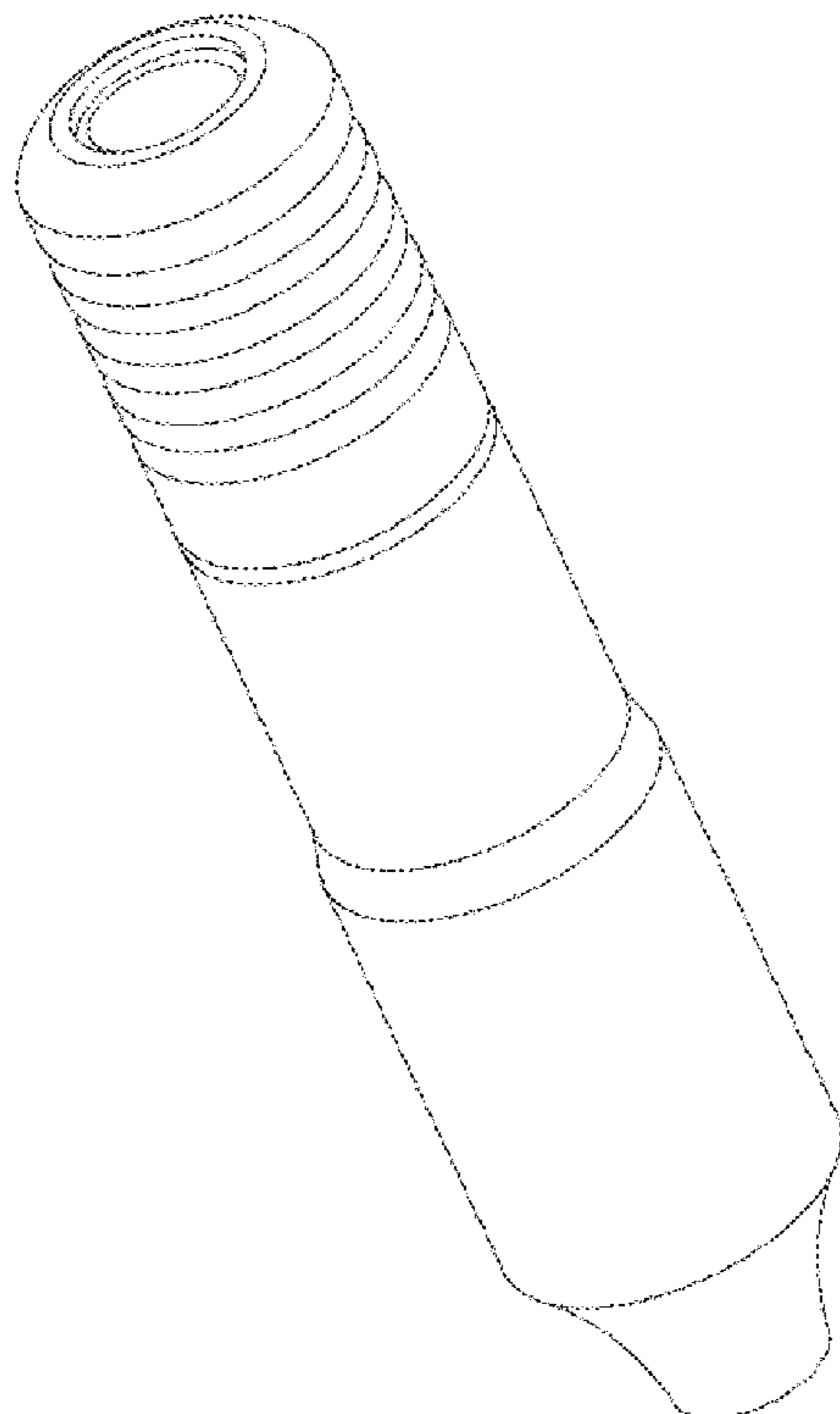
(57) **CLAIM**

The ornamental design for a motor tattoo pen, as shown and described.

DESCRIPTION

FIG. 1 is a front perspective view of the motor tattoo pen showing my new design;
 FIG. 2 is a front view thereof;
 FIG. 3 is a back view thereof;
 FIG. 4 is a left side view thereof;
 FIG. 5 is a right side view thereof;
 FIG. 6 is a bottom view thereof; and,
 FIG. 7 is a top view thereof.
 The broken lines depict portions of the motor tattoo pen that form no part of the claimed design.

1 Claim, 6 Drawing Sheets



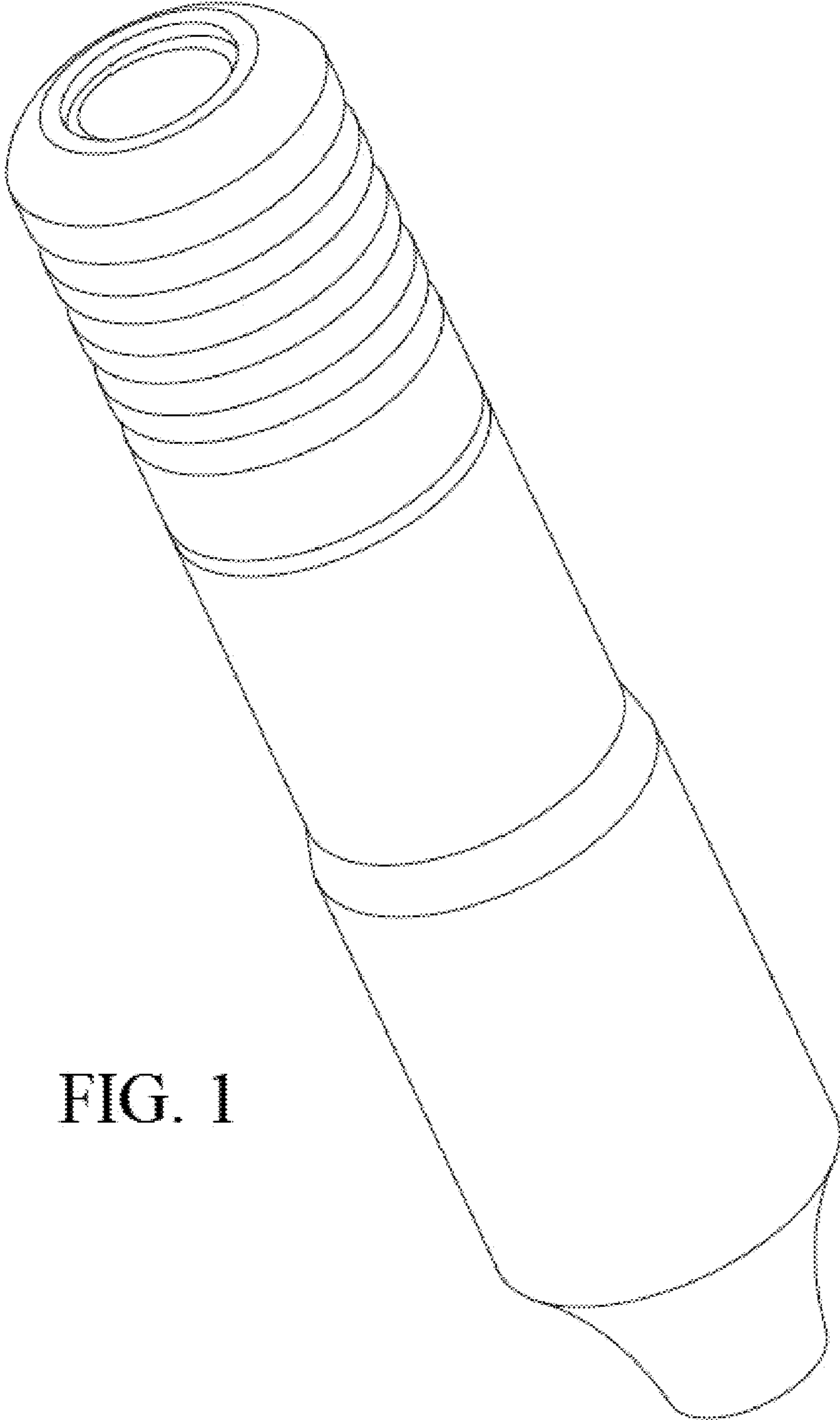


FIG. 1

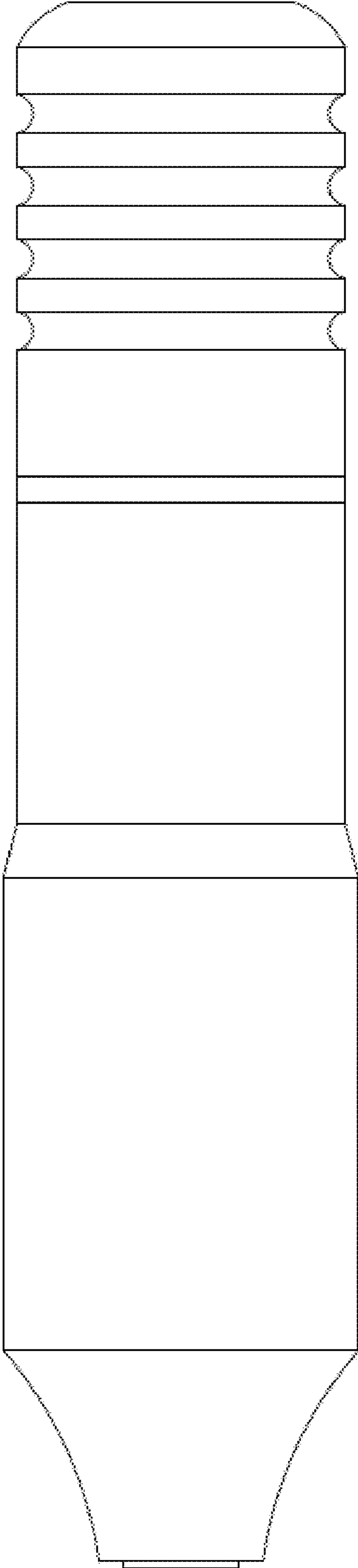


FIG. 2

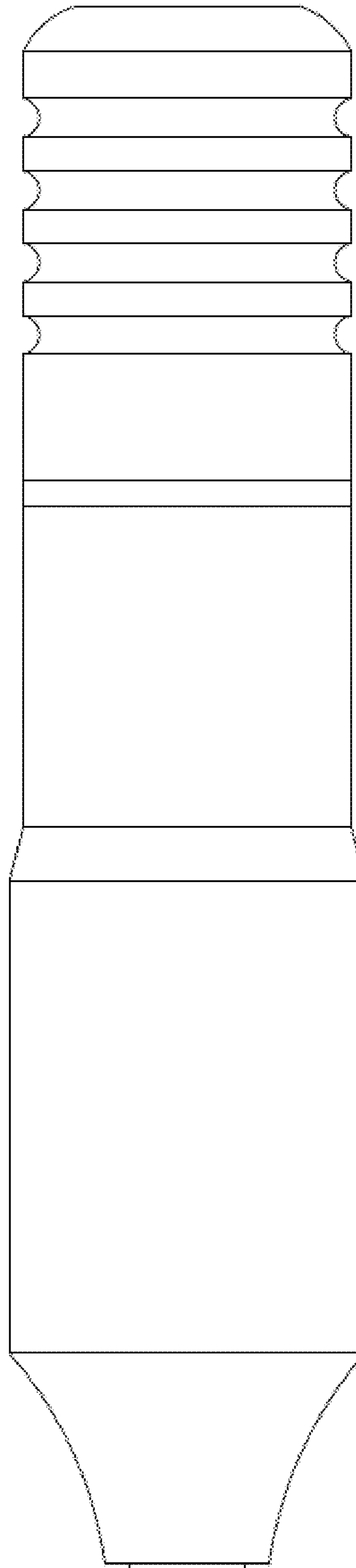


FIG. 3

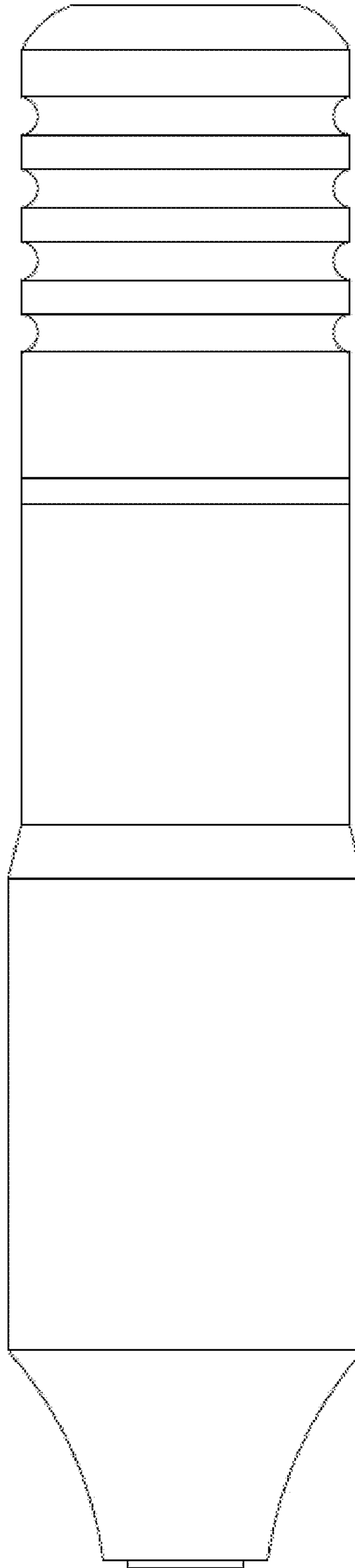


FIG. 4

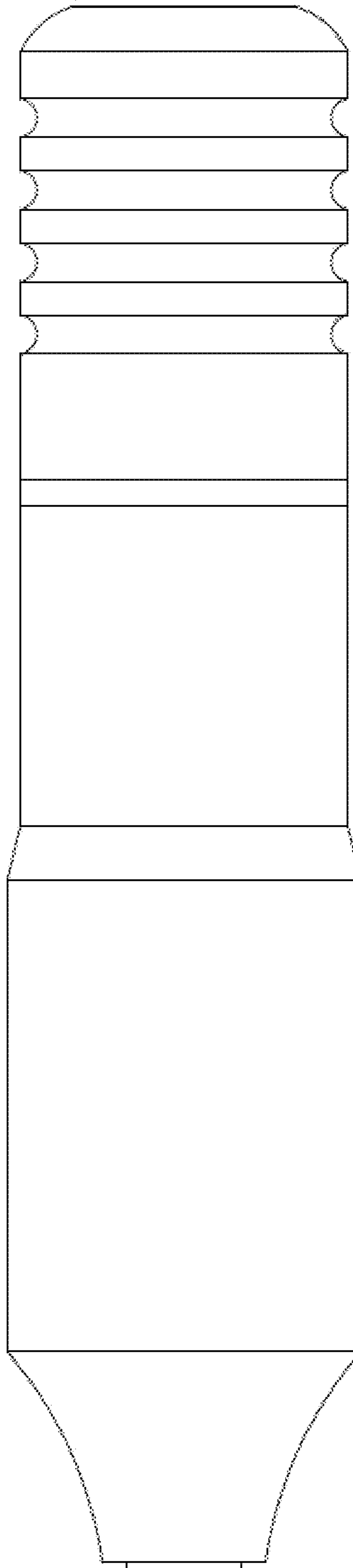


FIG. 5

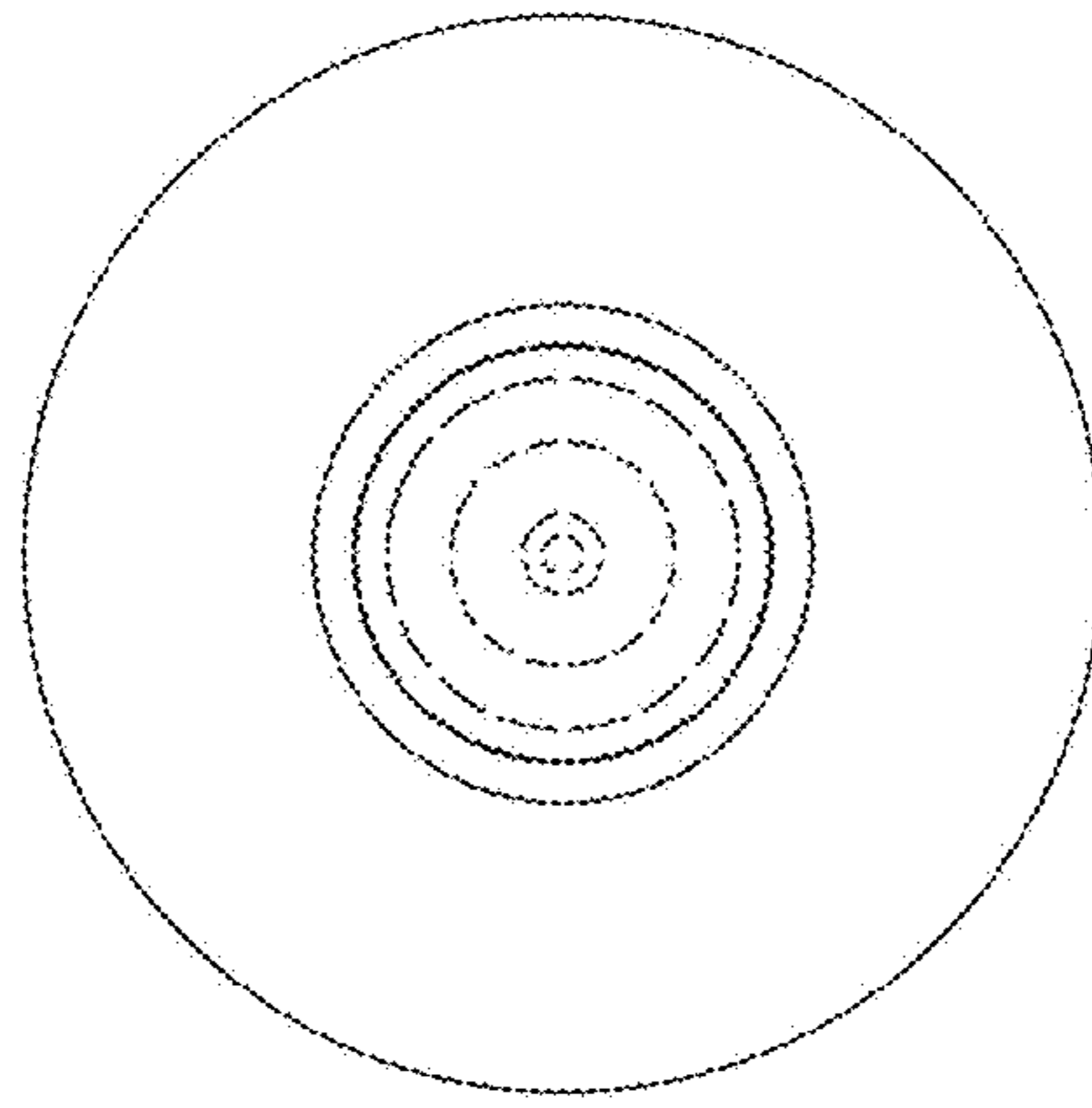


FIG. 6

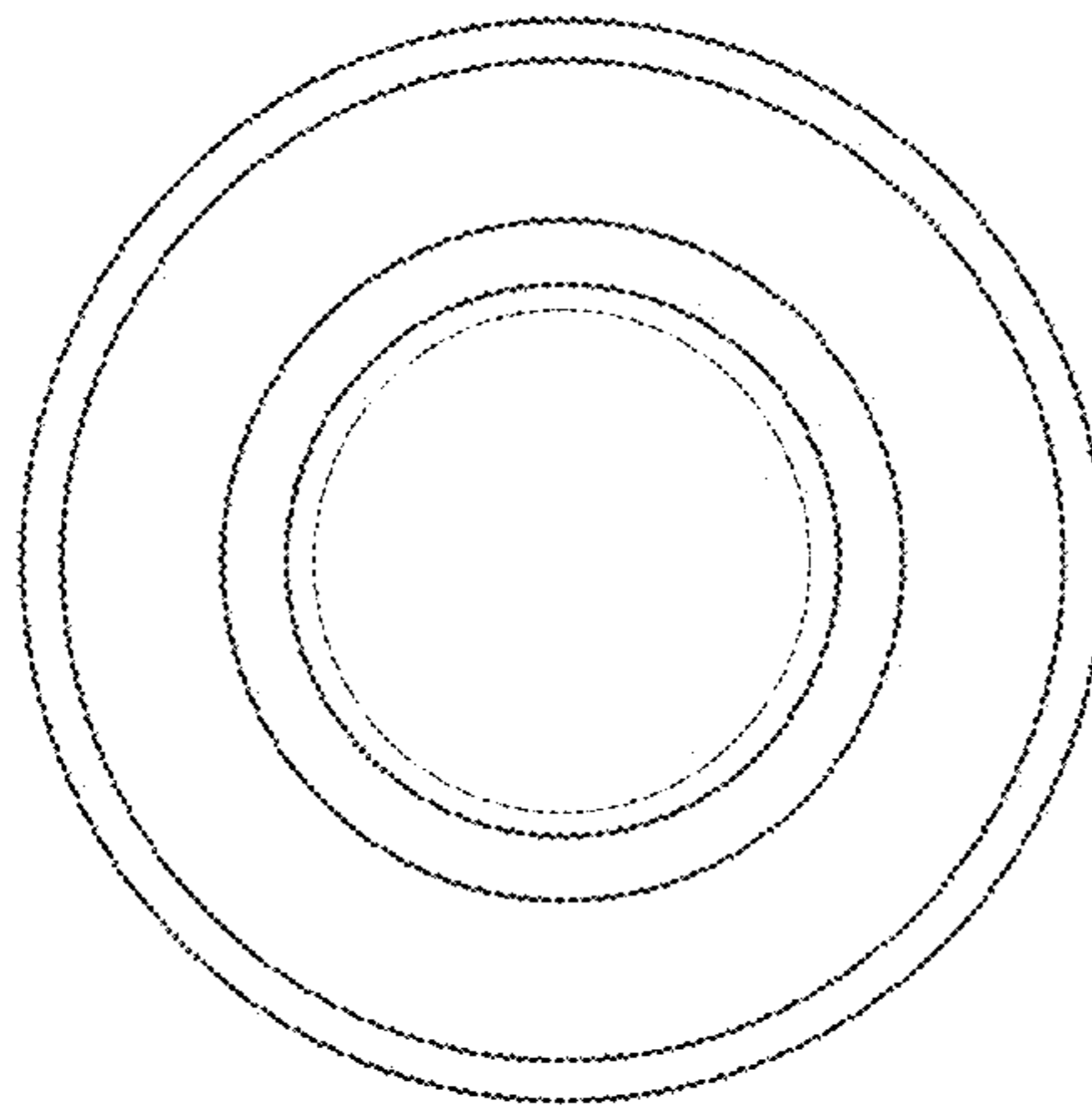


FIG. 7