



US00D906518S

(12) **United States Design Patent** (10) **Patent No.:** **US D906,518 S**
Krammer et al. (45) **Date of Patent:** **** Dec. 29, 2020**

(54) **CONNECTOR FOR AN ELECTRICAL ARRAY OF MEDICAL DEVICES**

2562/164; A61B 5/04085; A61B 5/0531; F24C 15/2035; H01R 43/16

See application file for complete search history.

(71) Applicant: **SENTEC AG**, Therwil (CH)

(56) **References Cited**

(72) Inventors: **Peter Krammer**, Chur (CH); **Bruce Eric Fifield**, Milan (IT)

U.S. PATENT DOCUMENTS

(73) Assignee: **SenTec AG**, Therwil (CH)

D755,436 S *	5/2016	Jackson	D26/113
D755,437 S *	5/2016	Jackson	D26/113
D765,253 S *	8/2016	Emeric	D24/169
D784,527 S *	4/2017	Llewellyn-Hyde	D24/127
D787,664 S *	5/2017	Grunhut	D24/127
D807,293 S *	1/2018	Schafmeister	D13/133
D818,112 S *	5/2018	Van Sickle	D24/110
D819,434 S *	6/2018	Sonneman	D8/394
D823,807 S *	7/2018	Armacost	D13/146
D846,794 S *	4/2019	Middelbos	D26/142
D861,157 S *	9/2019	Hubanks	D24/110

(**) Term: **15 Years**

(21) Appl. No.: **35/506,319**

(22) Filed: **Jul. 16, 2018**

(80) **Hague Agreement Data**

Int. Filing Date: **Jul. 16, 2018**

Int. Reg. No.: **DM/102243**

Int. Reg. Date: **Jul. 16, 2018**

Int. Reg. Pub. Date: **Jan. 18, 2019**

(51) **LOC (12) Cl.** **24-02**

(52) **U.S. Cl.**
USPC **D24/129**; D24/127

(58) **Field of Classification Search**
USPC D24/129, 127, 133, 110.4, 110.5, 107, D24/108, 111, 144, 167, 169; D26/24, D26/37, 76, 77, 78, 79, 80, 81, 82, 83, D26/84, 85, 86, 87, 88, 90, 91, 92, 93, D26/111, 113, 118, 119, 120, 121, 122, D26/138, 139, 140, 141, 142, 152; D13/118, 120, 133, 146, 147
CPC F21S 2/00; F21S 4/00; F21S 4/003; F21S 4/005; F21S 4/006; F21S 4/007; F21S 4/008; F21S 6/00; F21S 8/00; F21S 8/04; F21S 8/043; F21S 8/063; A61B

OTHER PUBLICATIONS

Clinical Performance of a Novel Textile Interface for Neonatal Chest Electrical Impedance Tomography <https://iopscience.iop.org/article/10.1088/1361-6579/aab513/pdf> Apr. 26, 2018 (Year: 2018).*

* cited by examiner

Primary Examiner — Samantha Q Lawrence

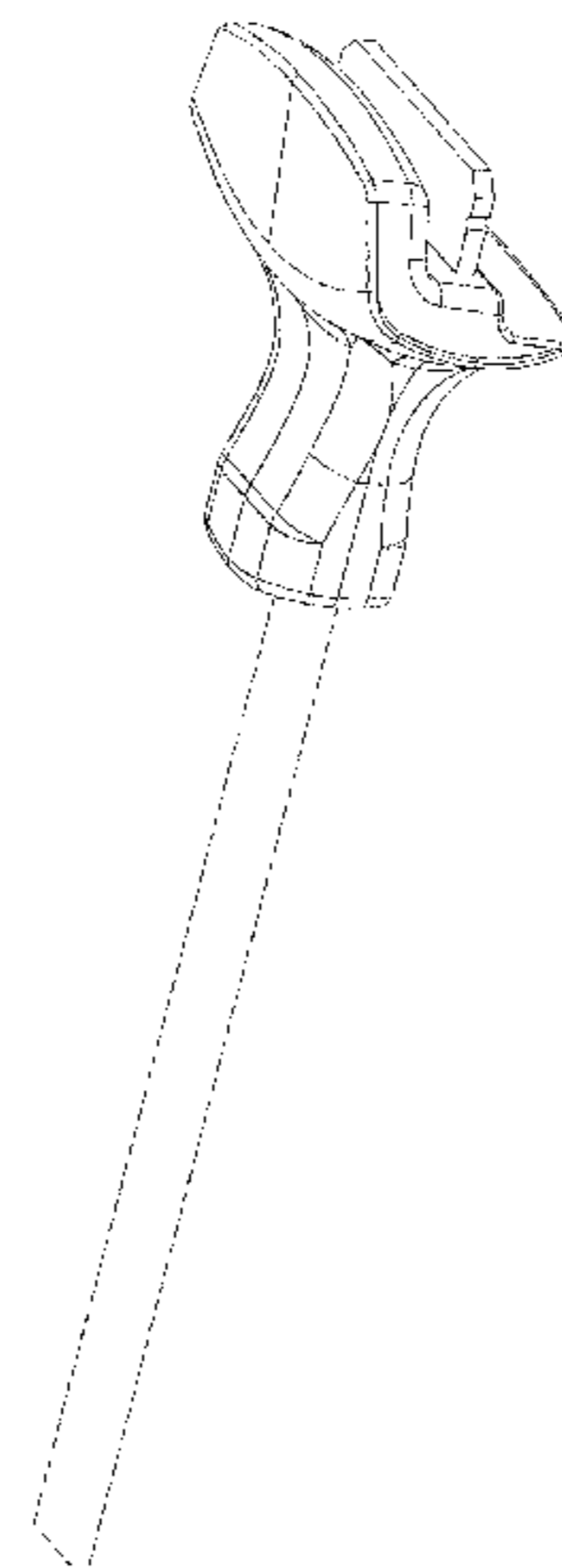
(57) **CLAIM**

The ornamental design for a connector for an electrical array of medical devices, as shown and described.

DESCRIPTION

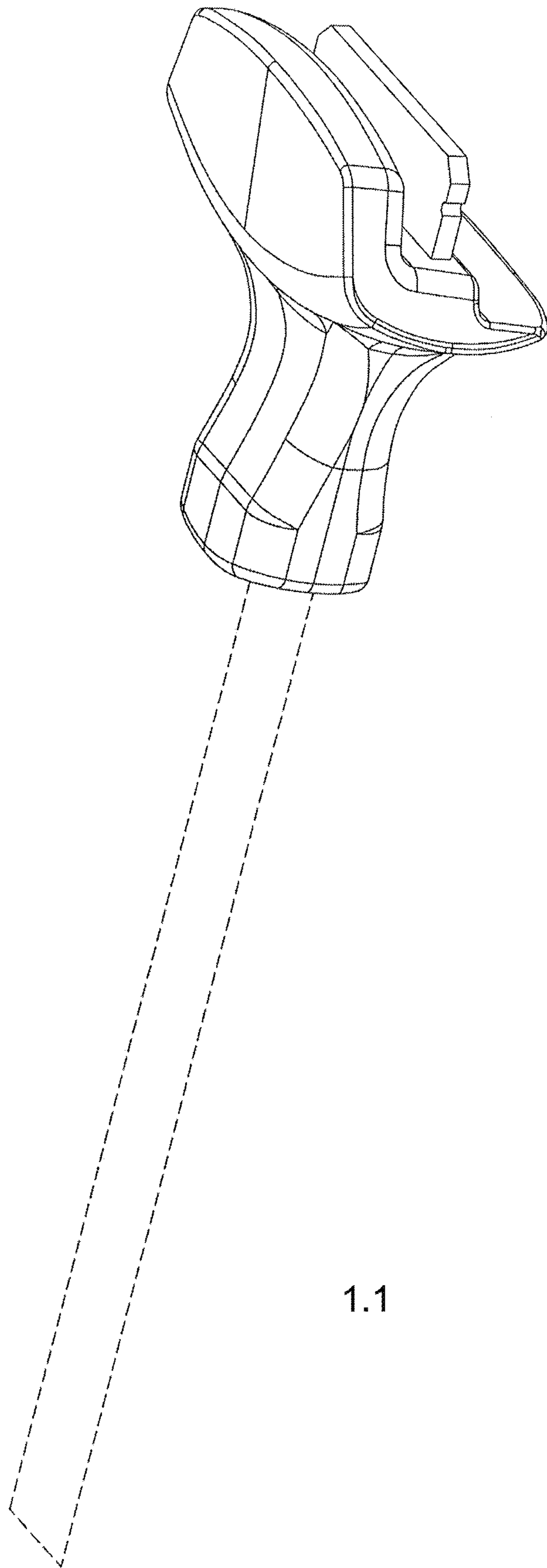
1. Connector for an electrical array (of medical devices)
Figure 1.1 is a perspective view of a connector for an electrical array of medical devices;
Figure 1.2 is a top view thereof;
Figure 1.3 is a left view thereof;
Figure 1.4 is a bottom view thereof;
Figure 1.5 is a right view thereof;
Figure 1.6 is a rear view thereof; and
Figure 1.7 is a front view thereof.

(Continued)



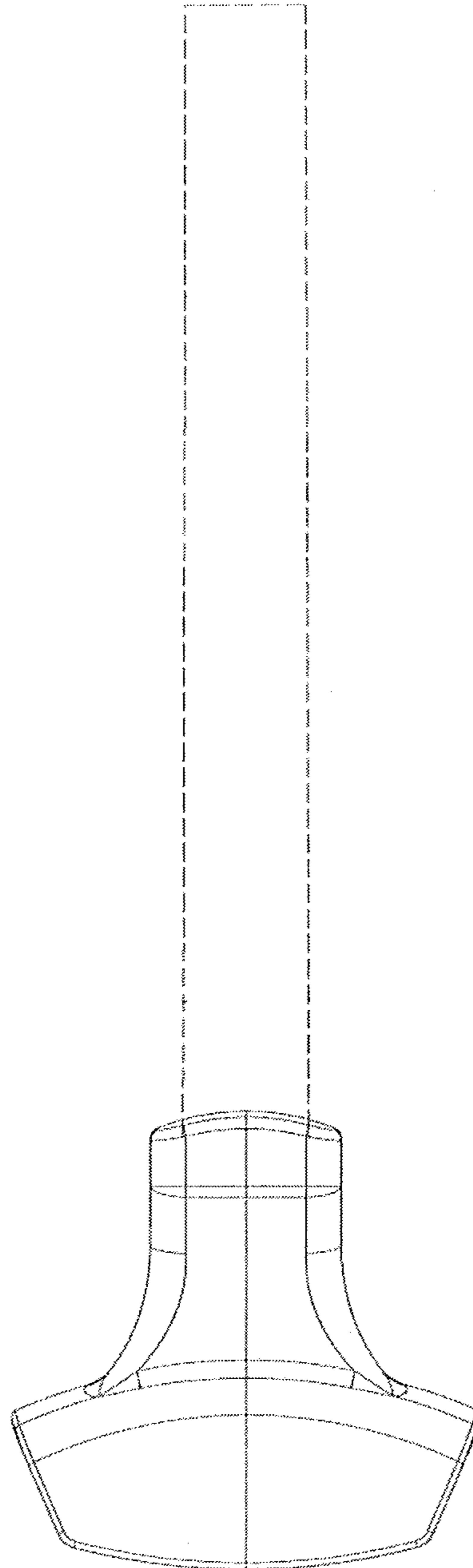
The broken lines, shown in Figures 1.1-1.7, illustrate portions of the connector for an electrical array of medical devices that form no part of the claimed design.

1 Claim, 7 Drawing Sheets

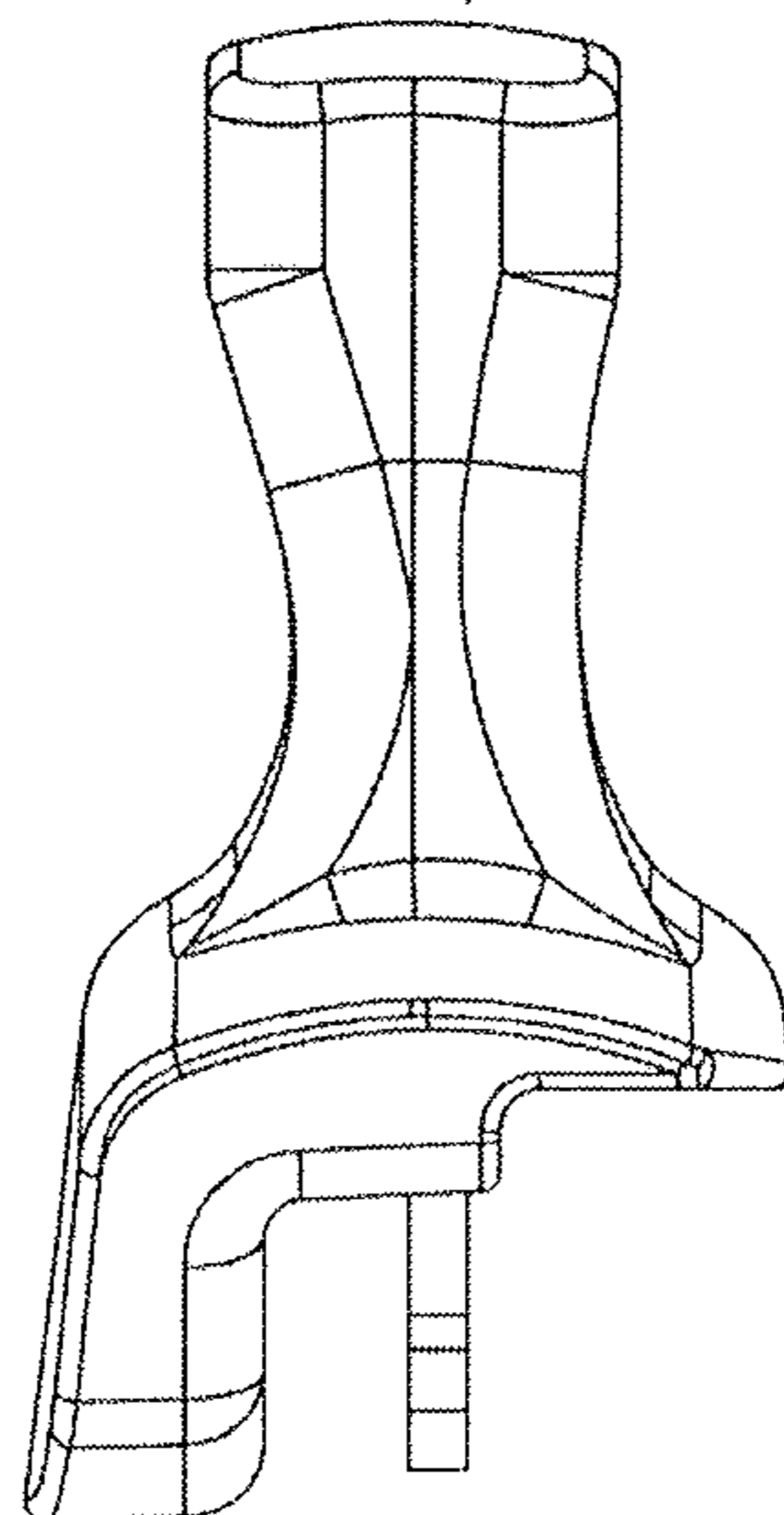


1.1

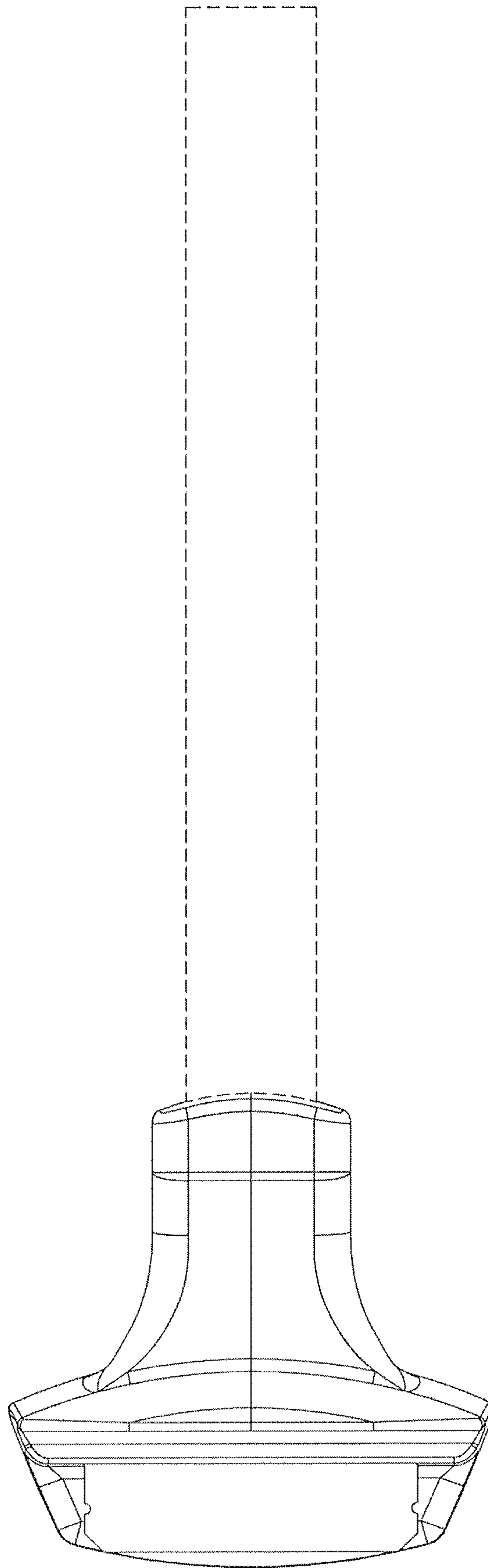
1.2



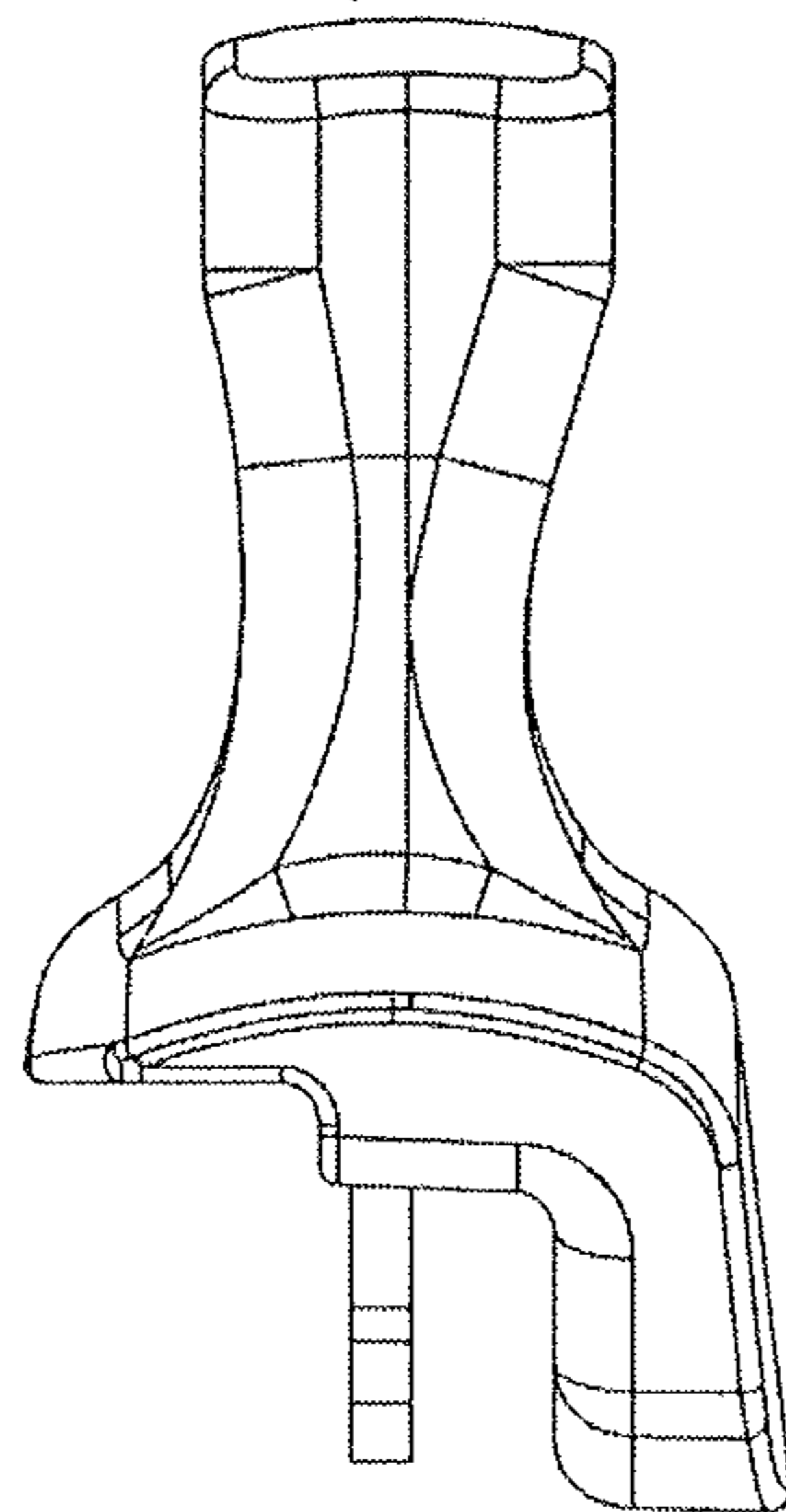
1.3



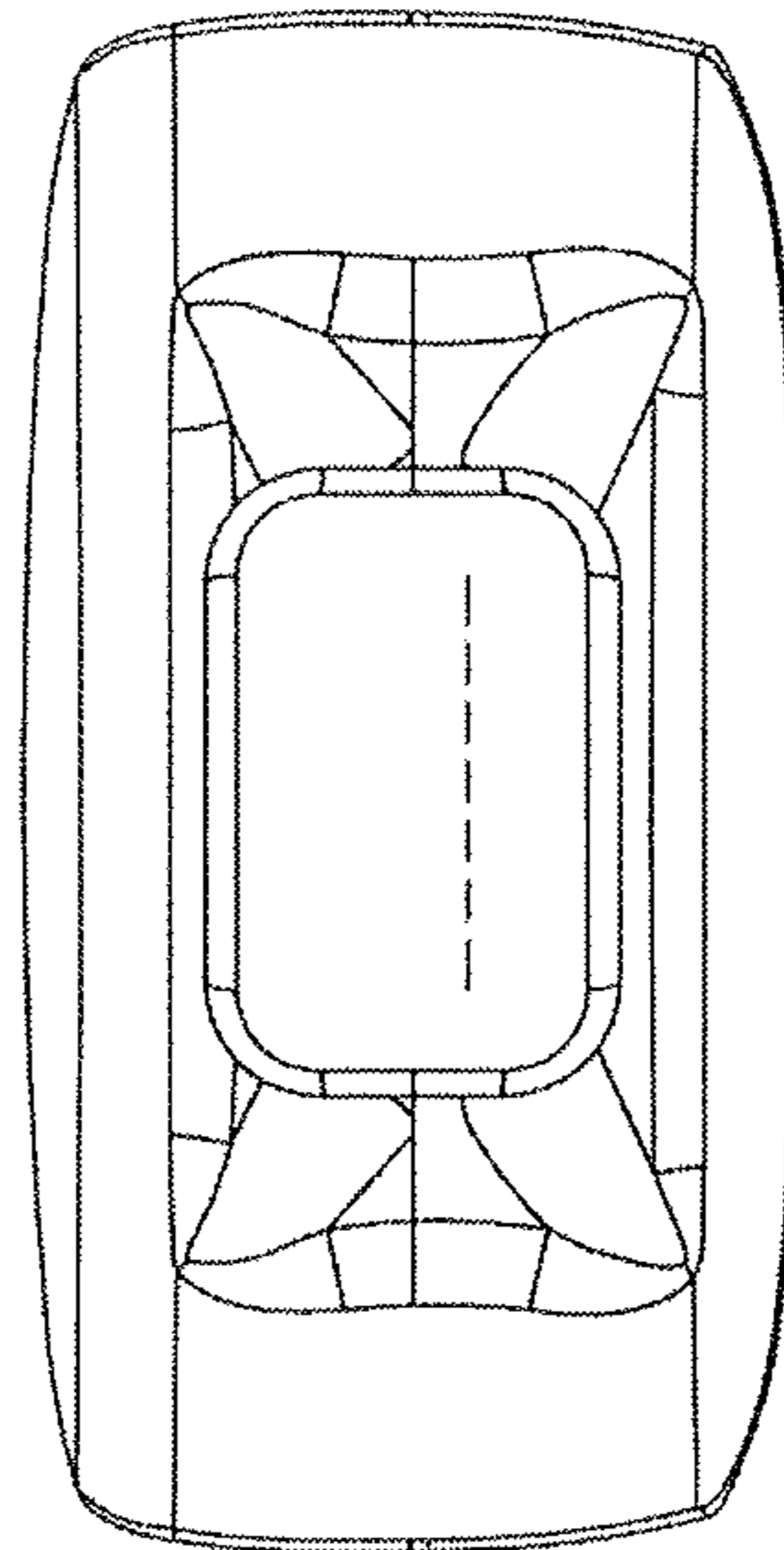
1.4



1.5



1.6



1.7

