



US00D906515S

(12) **United States Design Patent** (10) **Patent No.:** **US D906,515 S**  
**Beittel et al.** (45) **Date of Patent:** **\*\* Dec. 29, 2020**

(54) **SNORKEL**  
(71) Applicant: **FINIS INC.**, Livermore, CA (US)  
(72) Inventors: **David F. Beittel**, San Leandro, CA (US); **John Mix**, Brentwood, CA (US)  
(73) Assignee: **FINIS INC.**, Livermore, CA (US)  
(\*\*) Term: **15 Years**  
(21) Appl. No.: **29/651,966**  
(22) Filed: **Jul. 17, 2019**

D406,333 S \* 3/1999 Garraffa ..... D24/110.5  
7,047,965 B1 \* 5/2006 Ball ..... B63C 11/205  
128/201.11  
D530,008 S \* 10/2006 Mix ..... D24/110.5  
D552,233 S \* 10/2007 Trujillo ..... D24/110.2  
D559,977 S \* 1/2008 Ball ..... D24/110.4  
2005/0051164 A1 \* 3/2005 Hutter ..... B63C 11/16  
128/201.11  
2006/0037607 A1 \* 2/2006 Trujillo ..... B63C 11/16  
128/201.11  
2019/0185121 A1 \* 6/2019 Mix ..... B63C 11/16

**Related U.S. Application Data**

(63) Continuation-in-part of application No. 15/998,447, filed on Aug. 15, 2018.  
(51) **LOC (12) Cl.** ..... **29-02**  
(52) **U.S. Cl.**  
USPC ..... **D24/110.5**  
(58) **Field of Classification Search**  
USPC ..... D24/110–110.2, 110.4–110.5; D29/110  
CPC ..... B63C 11/205; B63C 11/16; B63C 11/186;  
B63C 11/12  
See application file for complete search history.

**FOREIGN PATENT DOCUMENTS**

EM 006287157-0001 \* 3/2019  
\* cited by examiner

*Primary Examiner* — Lilyana Bekic  
(74) *Attorney, Agent, or Firm* — JAG Patent Services;  
James A. Gavney, Jr.

(57) **CLAIM**

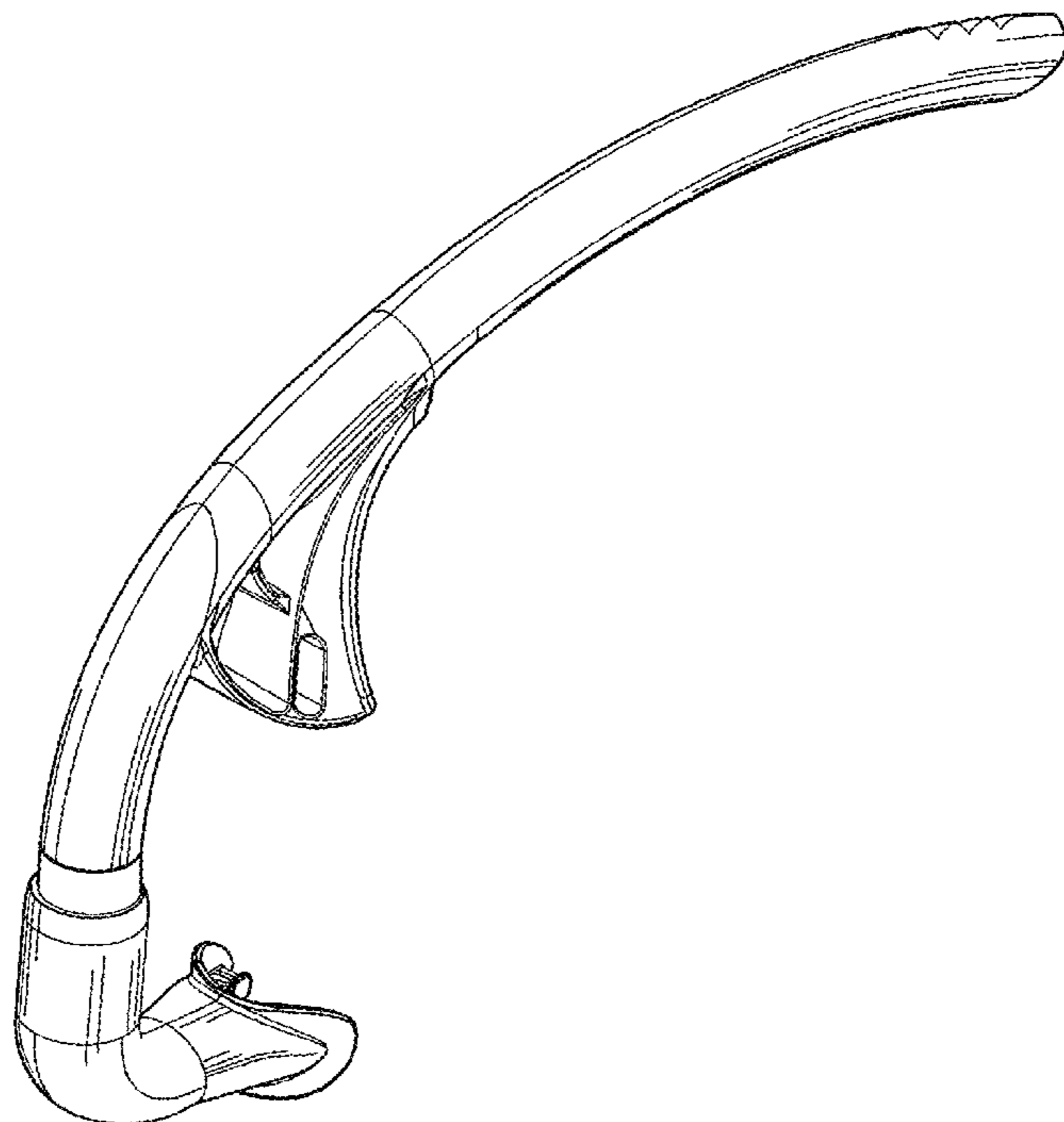
We claim the ornamental design for a snorkel, as shown and described.

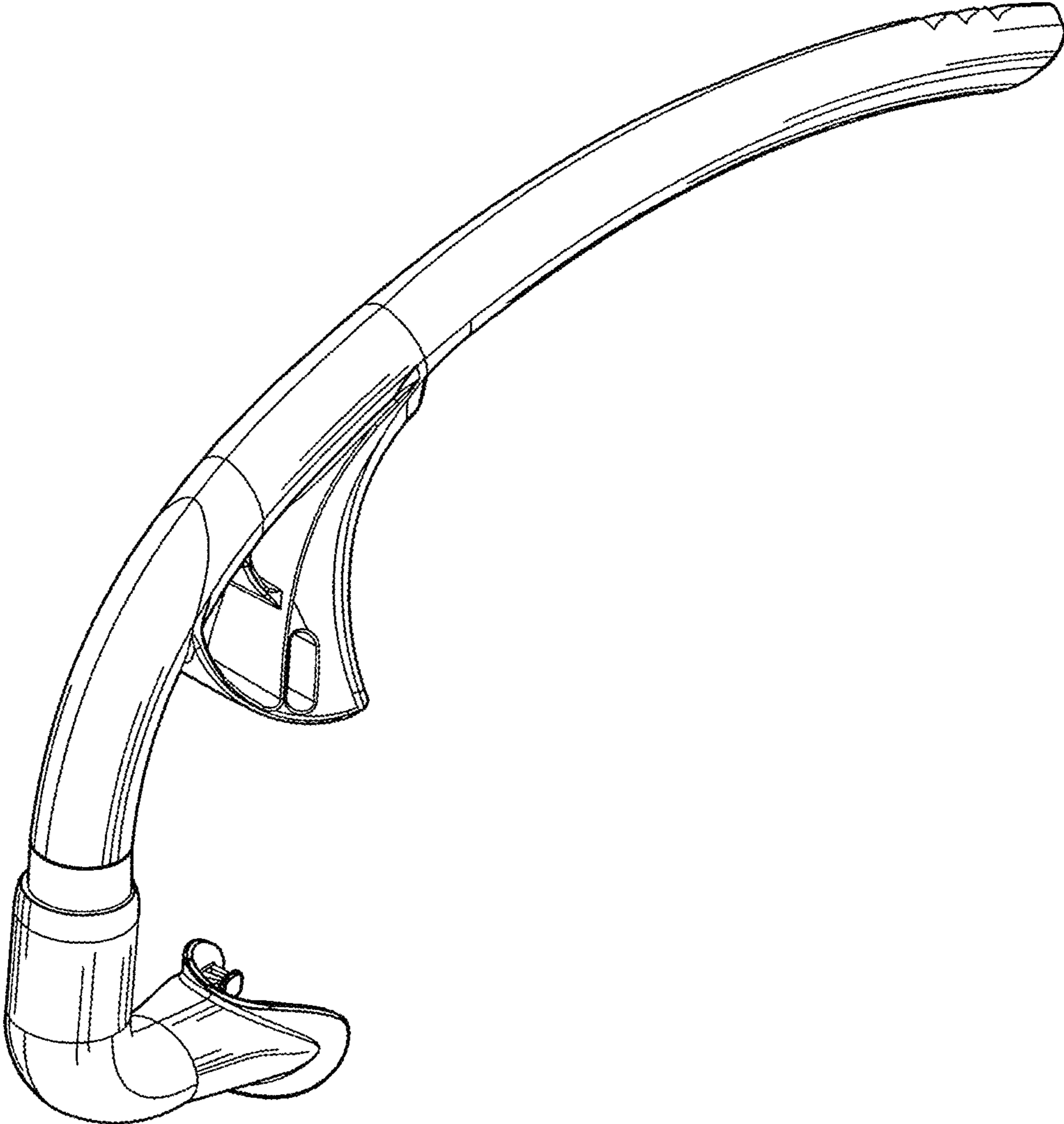
**DESCRIPTION**

FIG. 1 is a perspective view of a snorkel, showing our new design;  
FIG. 2 is a front elevational view thereof;  
FIG. 3 is a back elevational view thereof;  
FIG. 4 is a bottom plan view thereof;  
FIG. 5 is a top plan view thereof; and,  
FIG. 6 is a left side view thereof, and a right side view being a mirror image thereof.

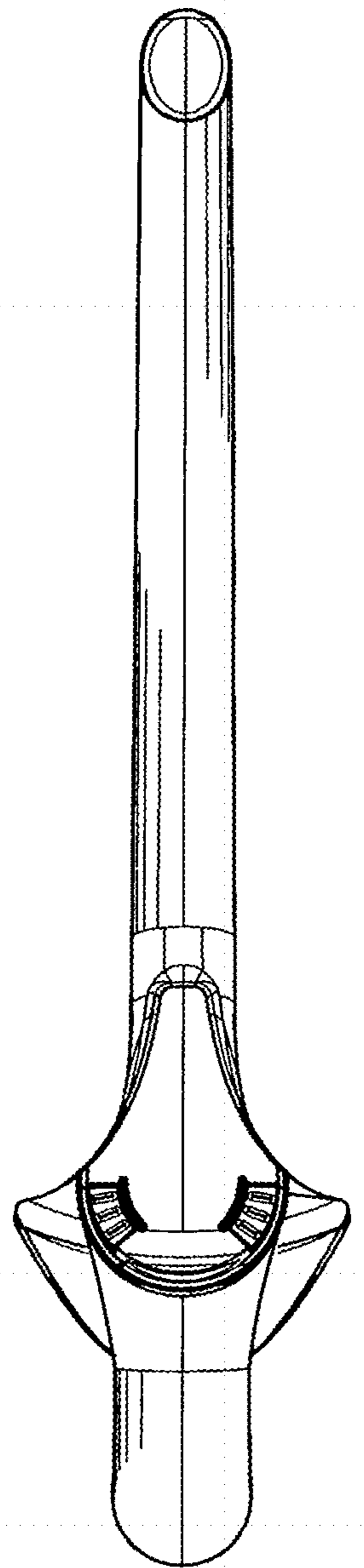
**1 Claim, 6 Drawing Sheets**

(56) **References Cited**  
U.S. PATENT DOCUMENTS  
4,380,232 A \* 4/1983 Doyle ..... B63C 11/205  
128/201.11  
4,562,836 A \* 1/1986 Perron ..... B63C 11/205  
128/201.11  
D350,379 S \* 9/1994 Kirchner ..... D24/110.5  
5,404,872 A \* 4/1995 Choi ..... B63C 11/205  
128/201.11

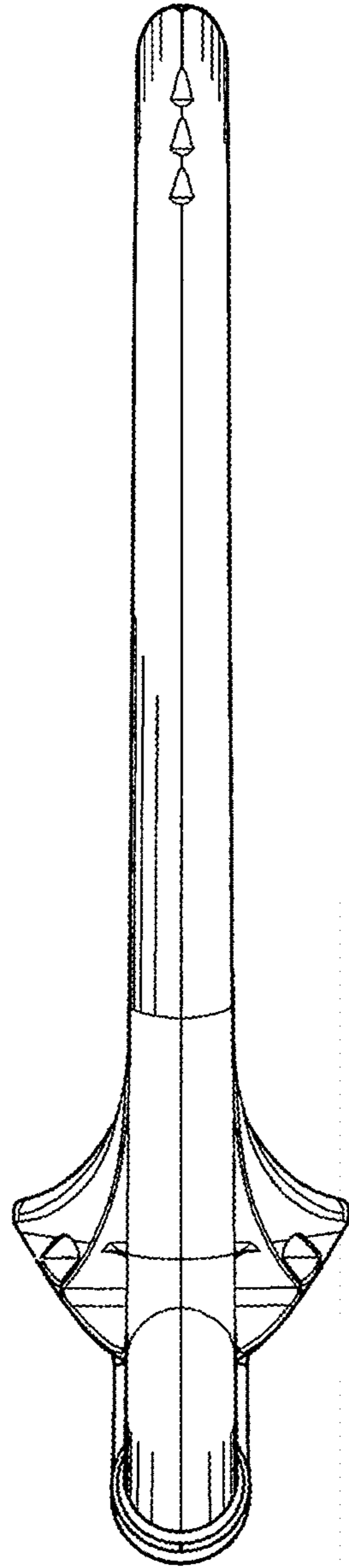




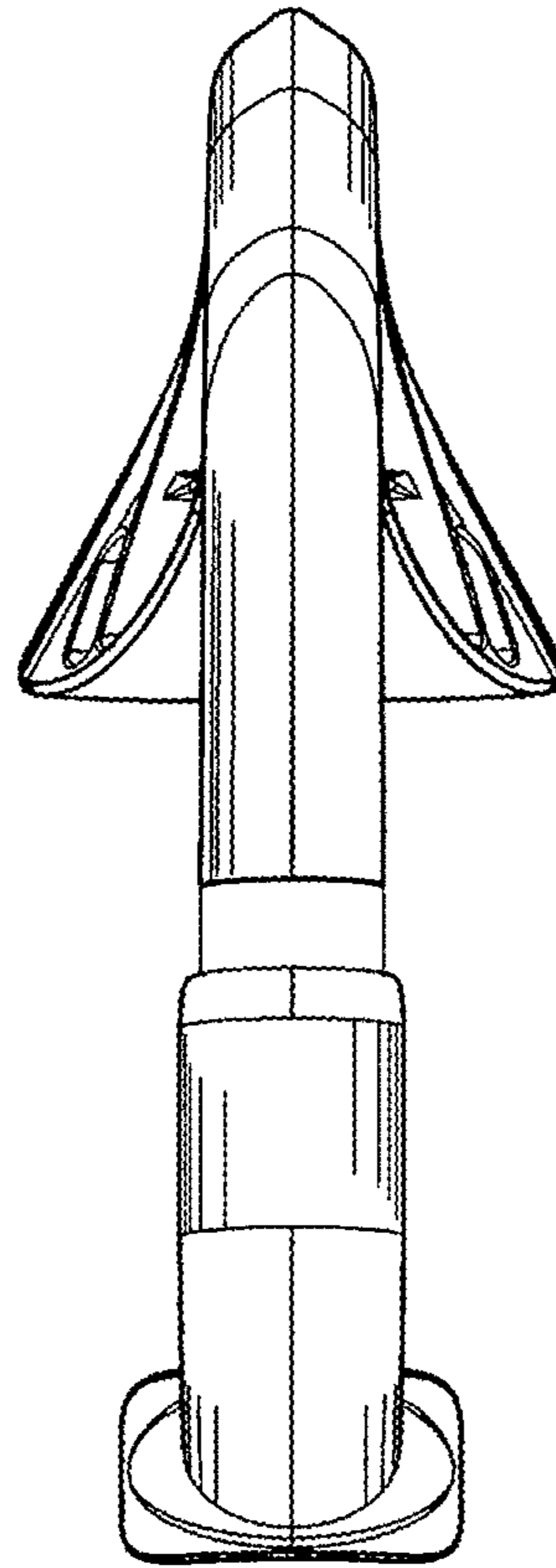
**FIG. 1**



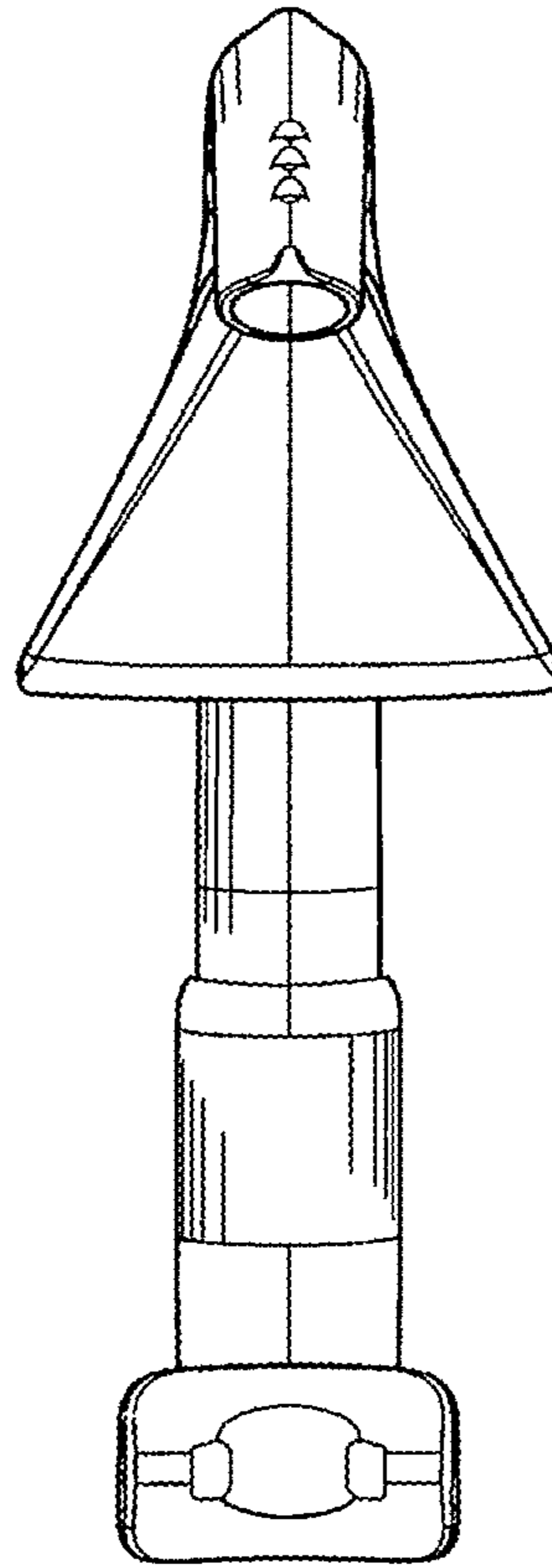
**FIG. 2**



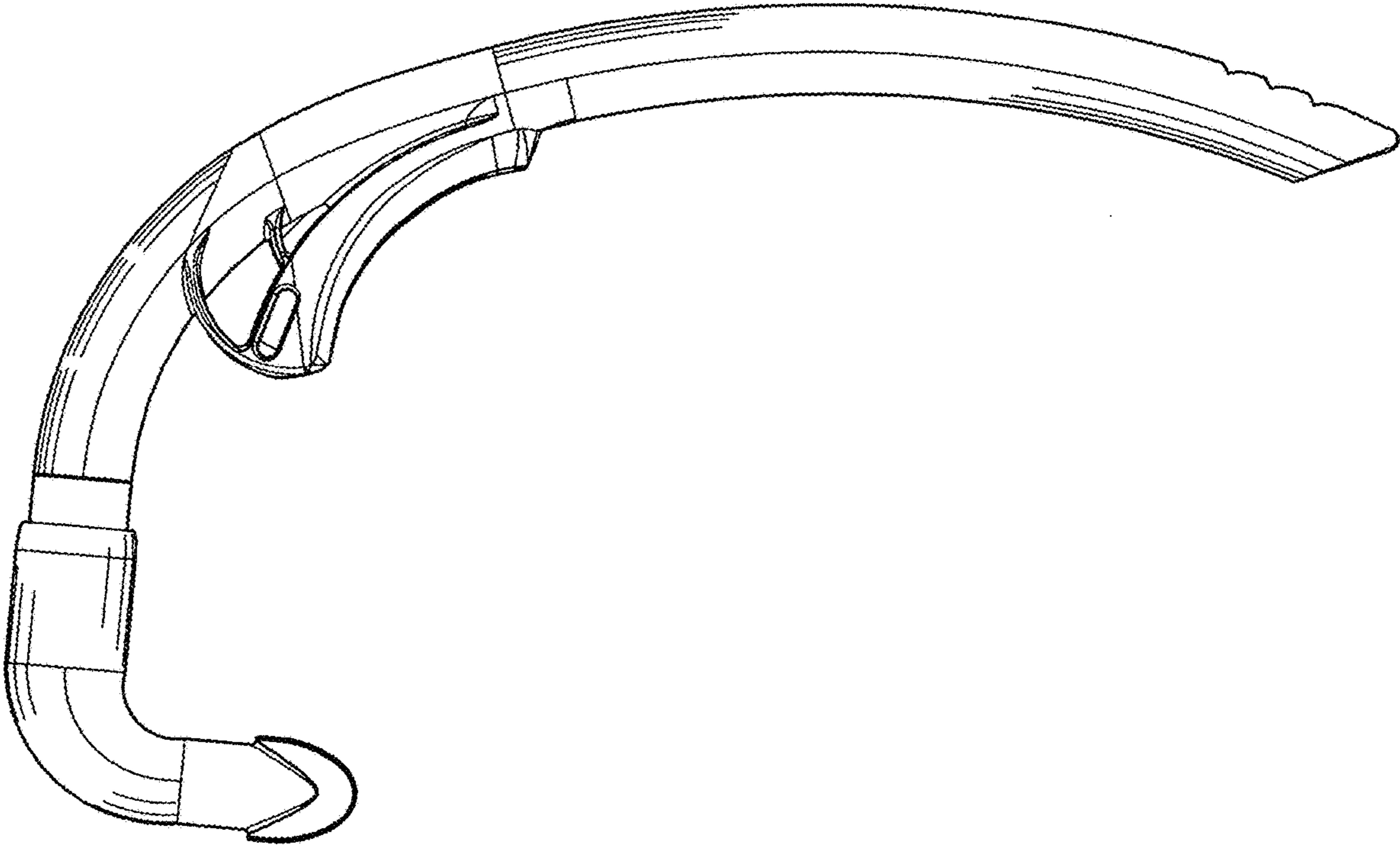
**FIG. 3**



**FIG. 4**



**FIG. 5**



**FIG. 6**