



US00D906514S

(12) **United States Design Patent**  
**Law et al.**

(10) **Patent No.: US D906,514 S**  
(45) **Date of Patent: \*\* Dec. 29, 2020**

(54) **PATIENT INTERFACE**

- (71) Applicant: **ResMed Pty Ltd**, Bella Vista (AU)
- (72) Inventors: **Kam Man Law**, Sydney (AU);  
**Shannon Day**, Sydney (AU)
- (73) Assignee: **ResMed Pty Ltd**, Bella Vista (AU)
- (\*\*) Term: **15 Years**
- (21) Appl. No.: **29/657,476**
- (22) Filed: **Jul. 23, 2018**

**Related U.S. Application Data**

- (62) Division of application No. 29/581,976, filed on Oct. 24, 2016, now Pat. No. Des. 884,152.
- (51) **LOC (12) Cl.** ..... **29-02**
- (52) **U.S. Cl.**  
USPC ..... **D24/110.4**
- (58) **Field of Classification Search**  
USPC ..... D24/110-110.6, 127, 129; D29/110  
CPC ..... A61M 16/0616; A61M 16/0633; A61M  
16/06; A61M 16/0666; A61M 16/0683;  
A61M 16/0605; A61M 16/0622; A61M  
16/0644; A61M 16/0875; A61M 16/0816;  
A61M 16/08; B63C 11/205; B63C 11/16;  
B63C 11/186; B63C 11/12  
See application file for complete search history.

(56) **References Cited**

**U.S. PATENT DOCUMENTS**

D493,885 S	*	8/2004	Raje	.....	D24/110.1
D619,701 S	*	7/2010	Edwards	.....	D24/110.1
D665,494 S	*	8/2012	Stallard	.....	D24/110.1
D693,460 S	*	11/2013	Rothermel	.....	D24/110.4
D693,462 S	*	11/2013	Rothermel	.....	D24/110.4
D694,875 S	*	12/2013	D'Souza	.....	D24/110

(Continued)

**OTHER PUBLICATIONS**

U.S. Appl. No. 29/581,976, filed Oct. 24, 2016, Law et al., "Patient Interface and/or Components Thereof," (parent application).

*Primary Examiner* — Brandon M Rosati

*Assistant Examiner* — Aula Soroush

(74) *Attorney, Agent, or Firm* — Nixon & Vanderhye P.C.

(57) **CLAIM**

The ornamental design for a patient interface, as shown and described.

**DESCRIPTION**

FIG. 1 is a front perspective view of a patient interface showing a first embodiment of our new design;

FIG. 2 is a front view thereof;

FIG. 3 is a rear view thereof;

FIG. 4 is a top view thereof;

FIG. 5 is a bottom view thereof;

FIG. 6 is a left side view thereof;

FIG. 7 is a right side view thereof;

FIG. 8 is a reverse perspective view thereof;

FIG. 9 is a front perspective view of a patient interface showing a second embodiment of our new design;

FIG. 10 is a front view thereof;

FIG. 11 is a rear view thereof;

FIG. 12 is a top view thereof;

FIG. 13 is a bottom view thereof;

FIG. 14 is a left side view thereof;

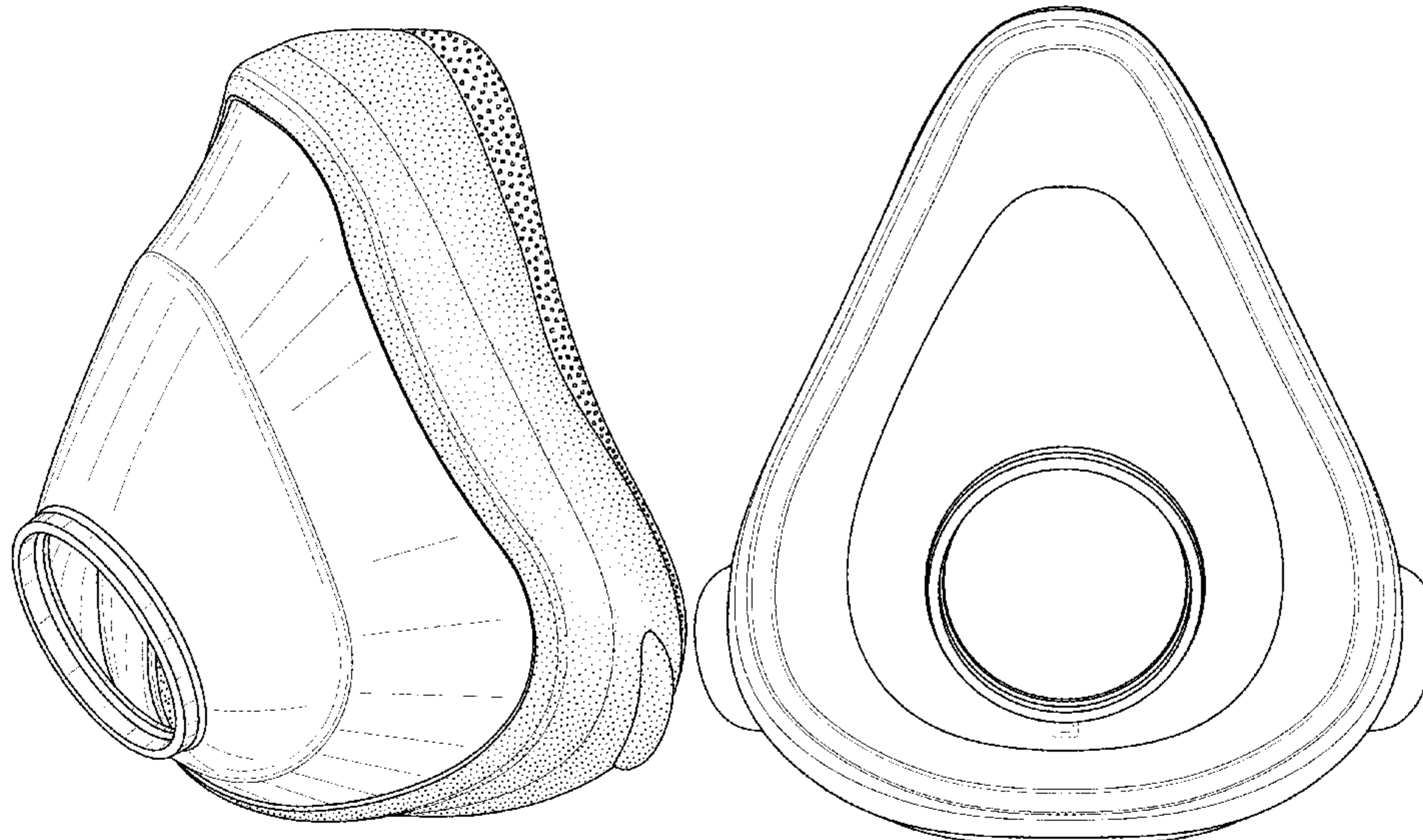
FIG. 15 is a right side view thereof; and,

FIG. 16 is a reverse perspective view thereof.

The broken lines in the drawings depict portions of the patient interface that form no part of the claimed design.

Line shading and stippling in FIGS. 1-8 have been used to indicate a contrast in appearance. The heavy stippling represents a foam material, the lightly stippled surface represents rubber/silicone material, and the line shading represents a material that is relatively harder than the stippled surfaces.

**1 Claim, 16 Drawing Sheets**



(56)

**References Cited**

## U.S. PATENT DOCUMENTS

D695,887 S \* 12/2013 Ozolins ..... D24/110.4  
D700,697 S \* 3/2014 Ho ..... D24/110.4  
D703,807 S \* 4/2014 Chu ..... D24/110.1  
D707,349 S \* 6/2014 D'Souza ..... D24/110.1  
D717,942 S \* 11/2014 Neff ..... D24/110.1  
D751,188 S \* 3/2016 Skipper ..... D24/110.4  
RE45,985 E \* 4/2016 McAuley ..... D24/110.1  
D754,328 S \* 4/2016 Bowsher ..... D24/110.1  
D767,755 S \* 9/2016 D'Souza ..... D24/110.4  
D769,440 S \* 10/2016 Amarasinghe ..... D24/110.4  
D809,131 S \* 1/2018 Law ..... D24/110.4  
2010/0051034 A1 \* 3/2010 Howard ..... A61M 16/06  
128/206.27  
2017/0368288 A1 \* 12/2017 Stephens ..... A61M 16/0622  
2017/0368289 A1 \* 12/2017 Baiko ..... A61M 16/0622  
2018/0021536 A1 \* 1/2018 Ng ..... A61M 16/20

\* cited by examiner

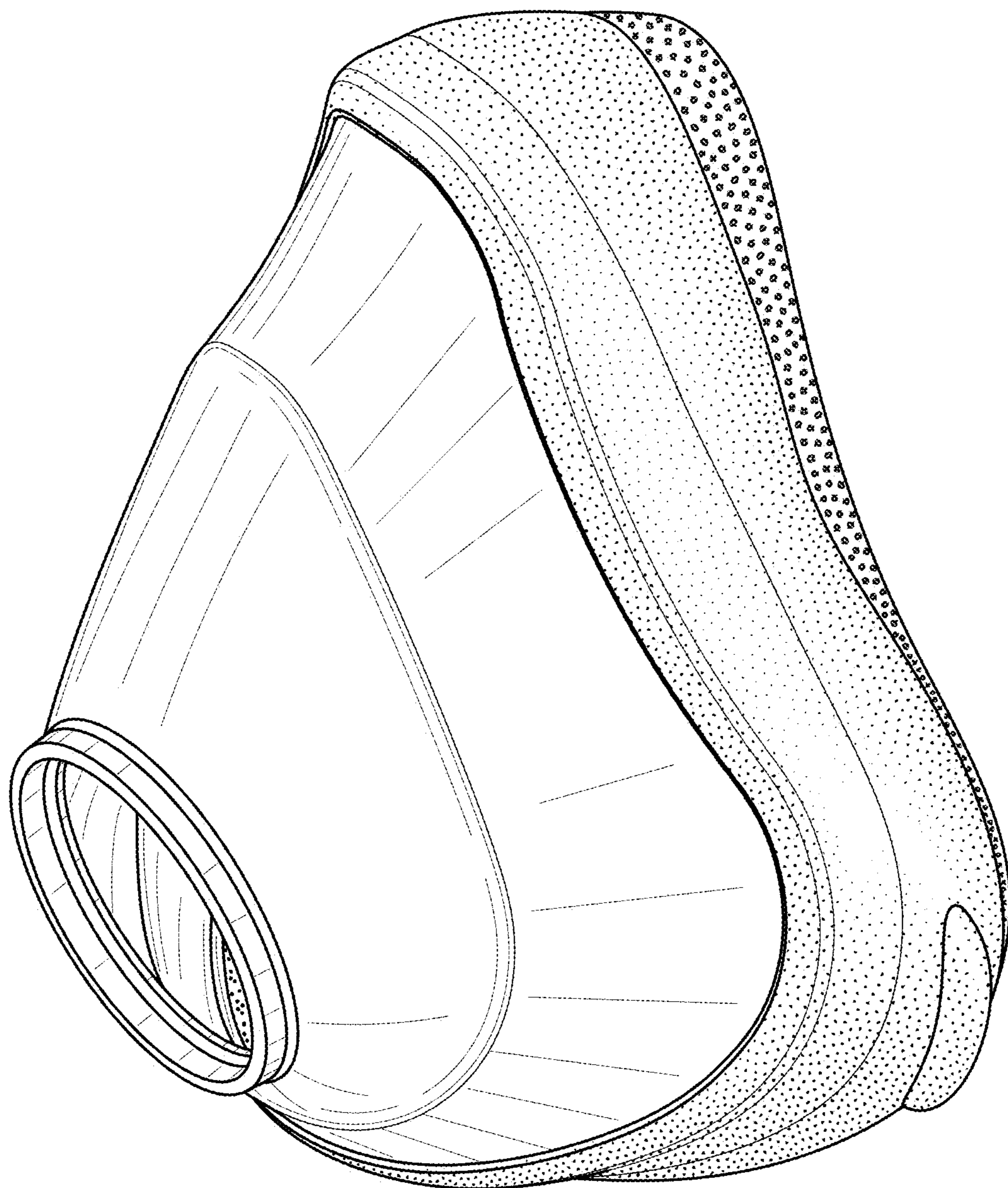


FIG. 1

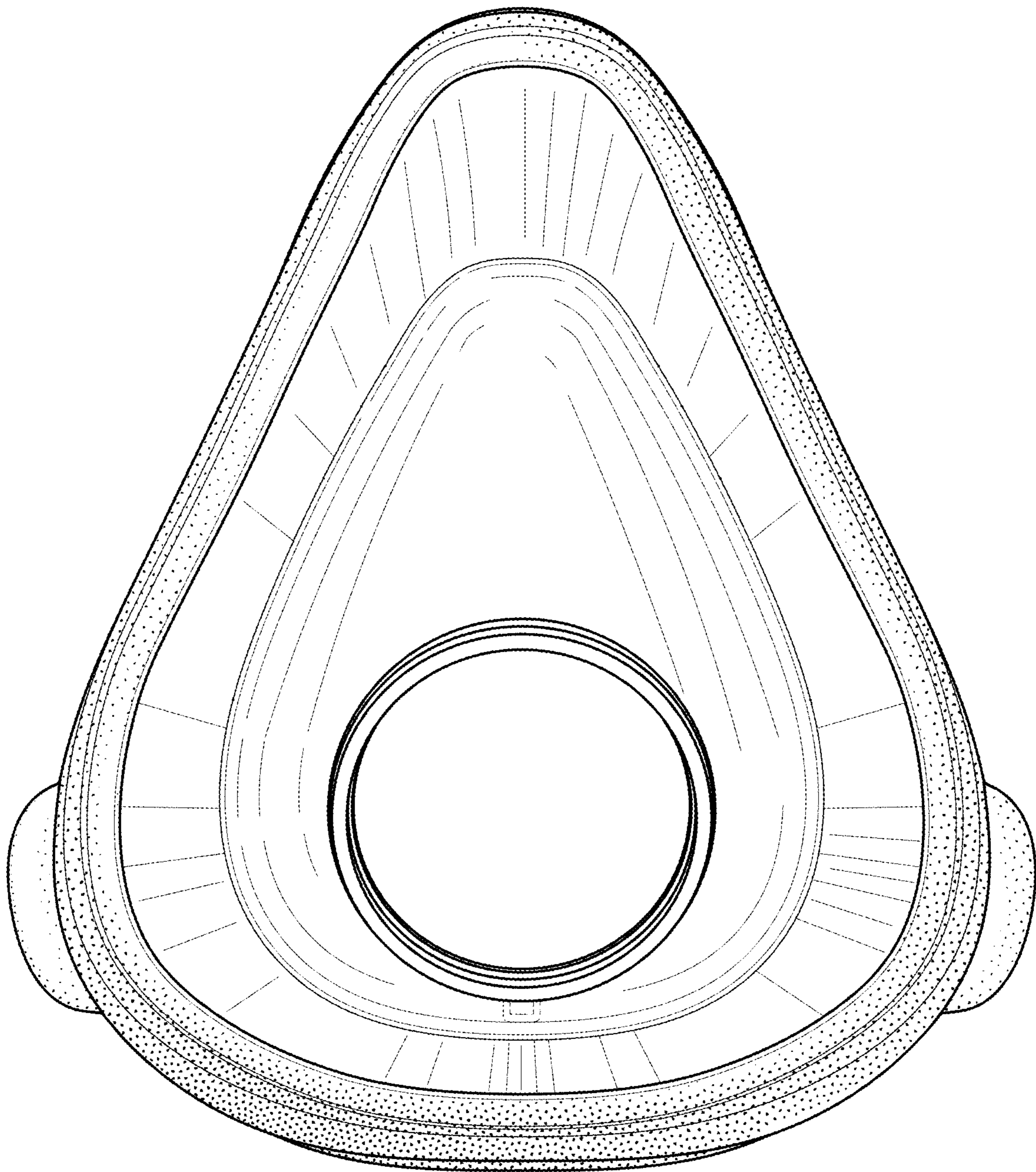


FIG. 2

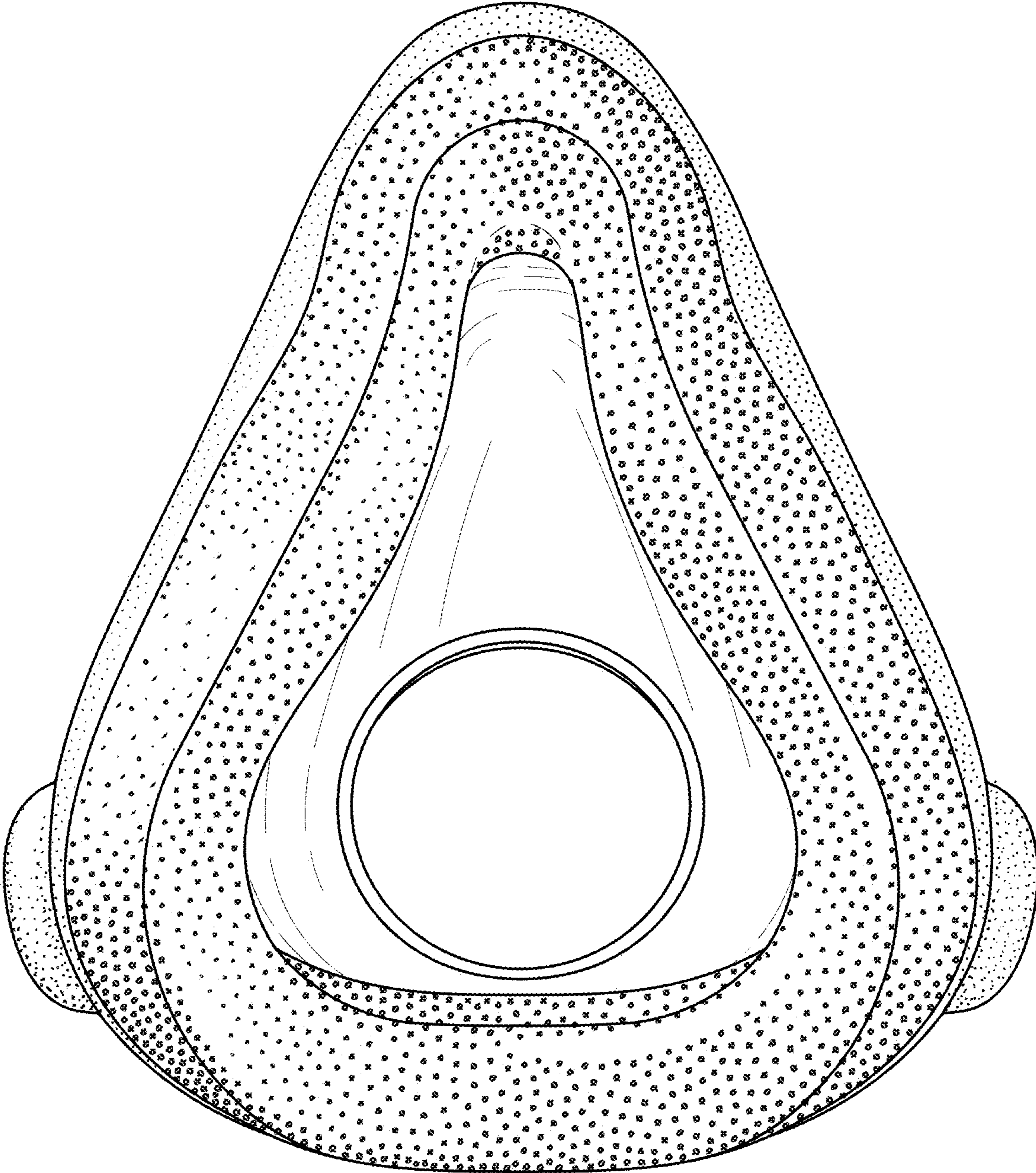


FIG. 3

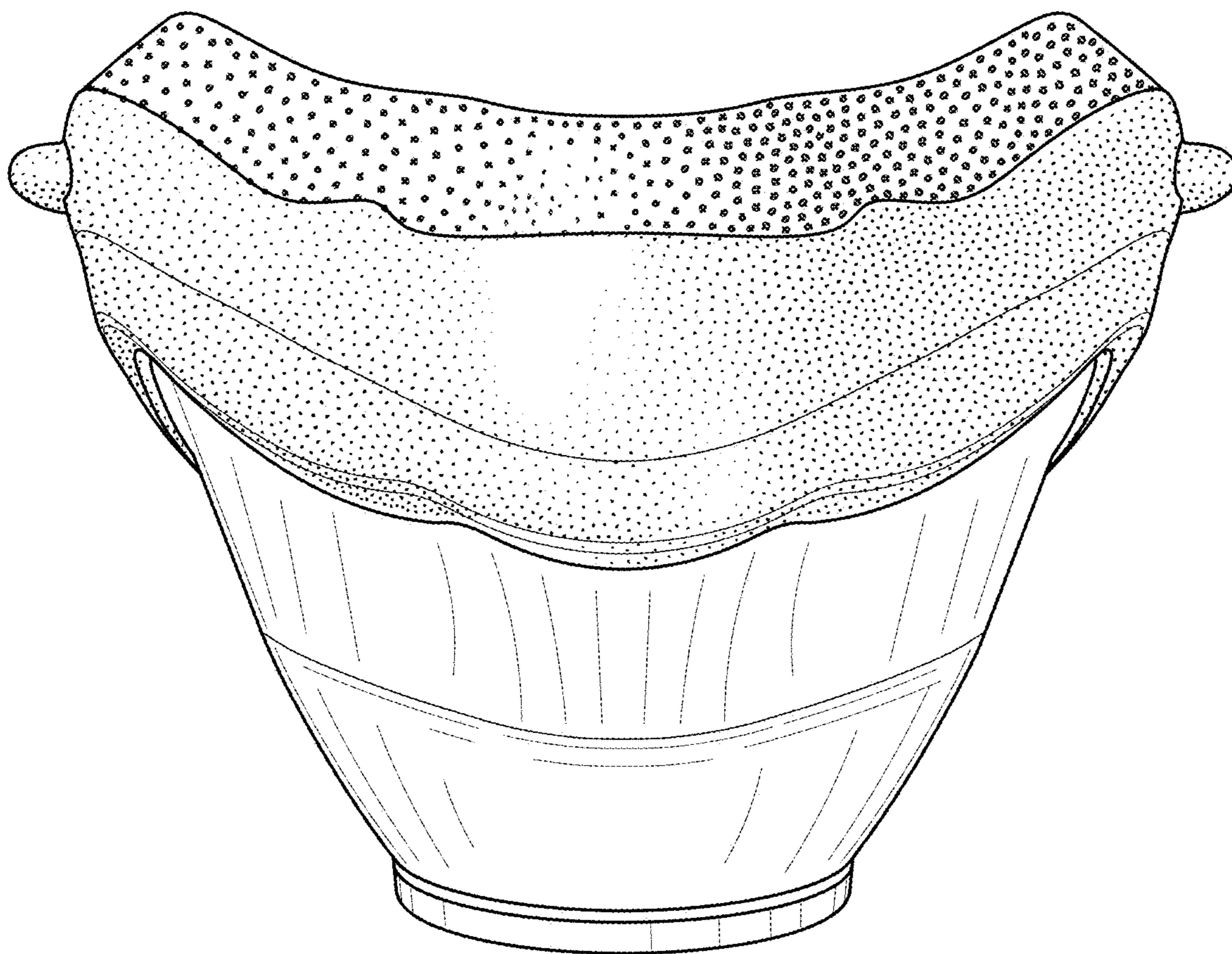


FIG. 4

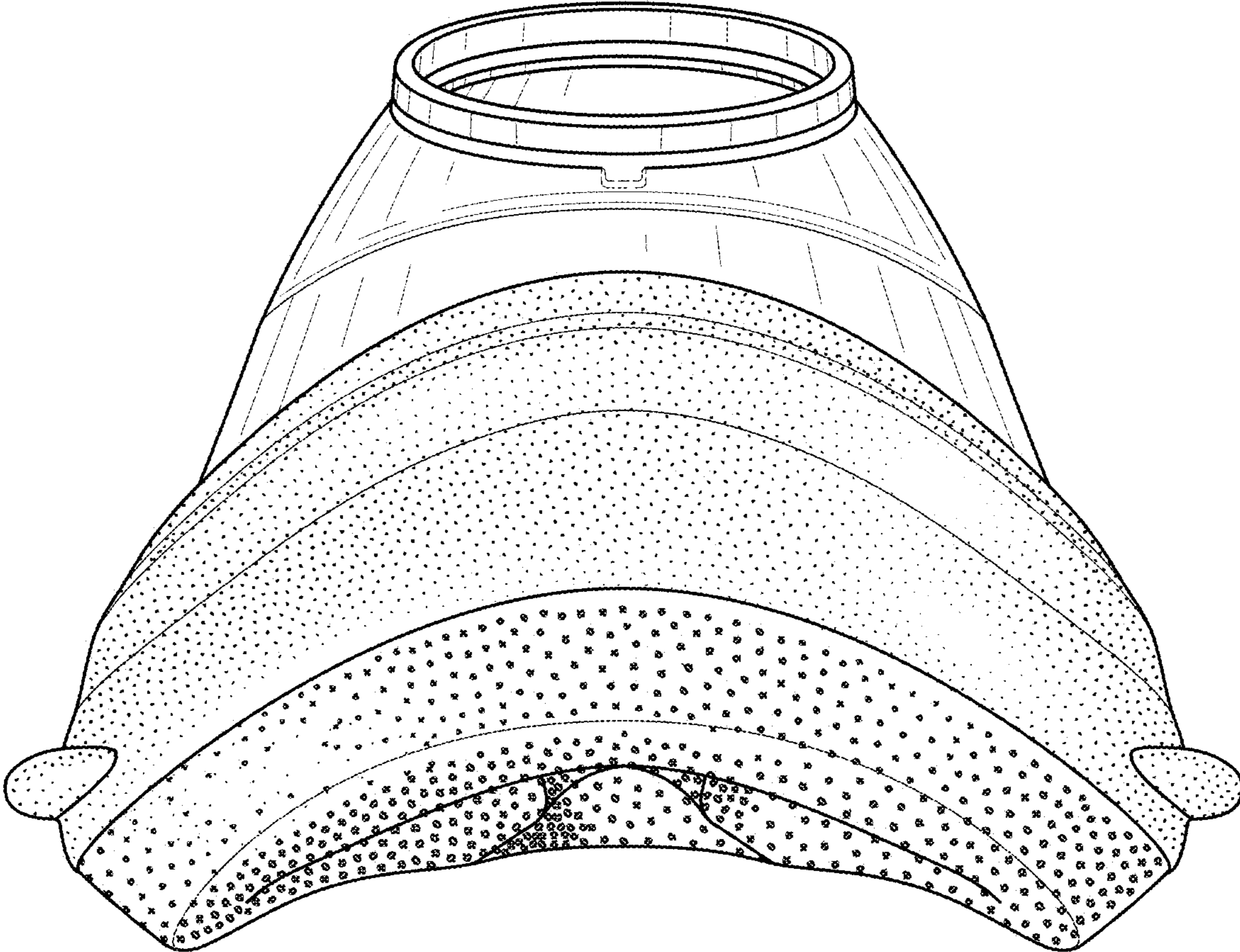


FIG. 5

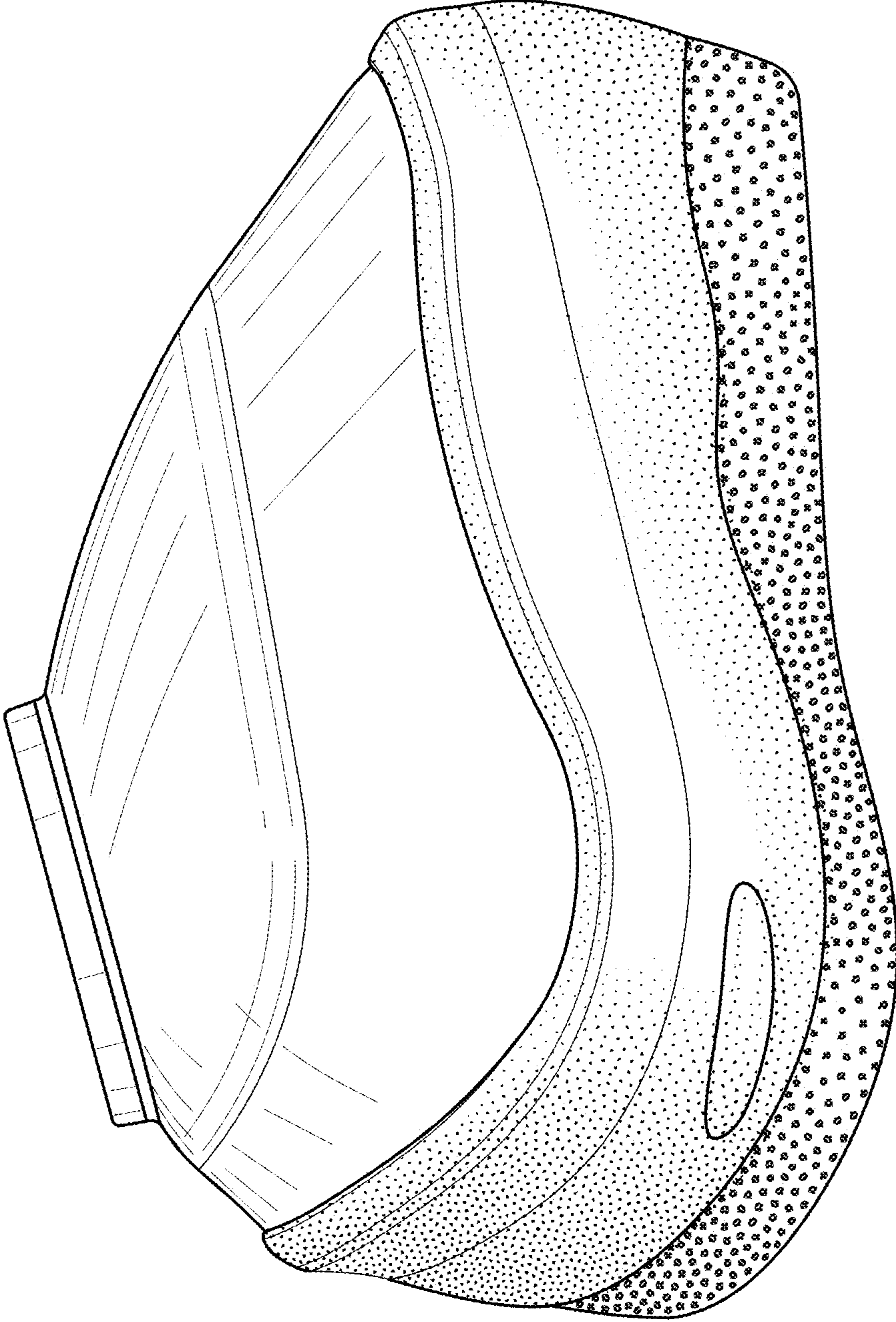


FIG. 6



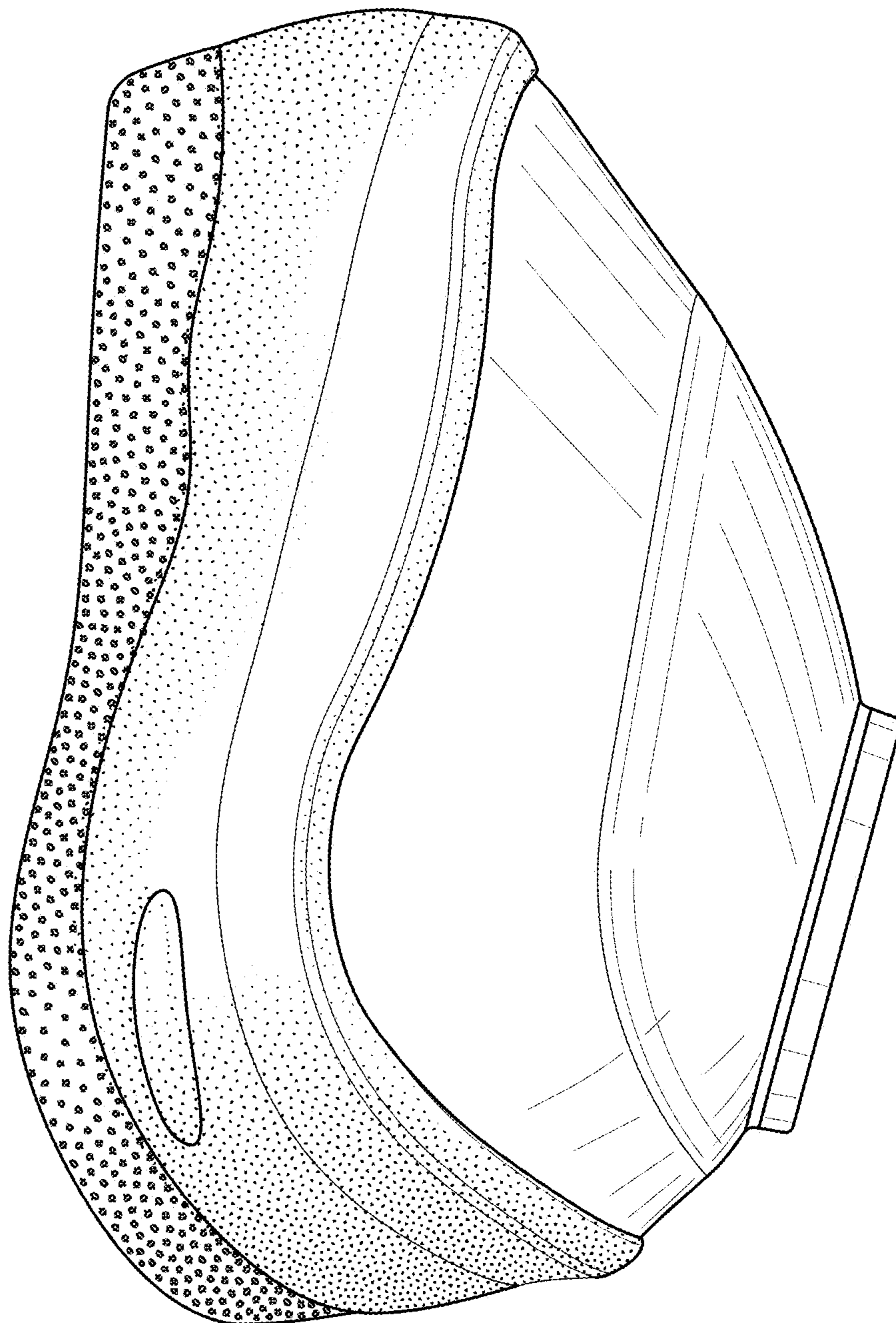


FIG. 7

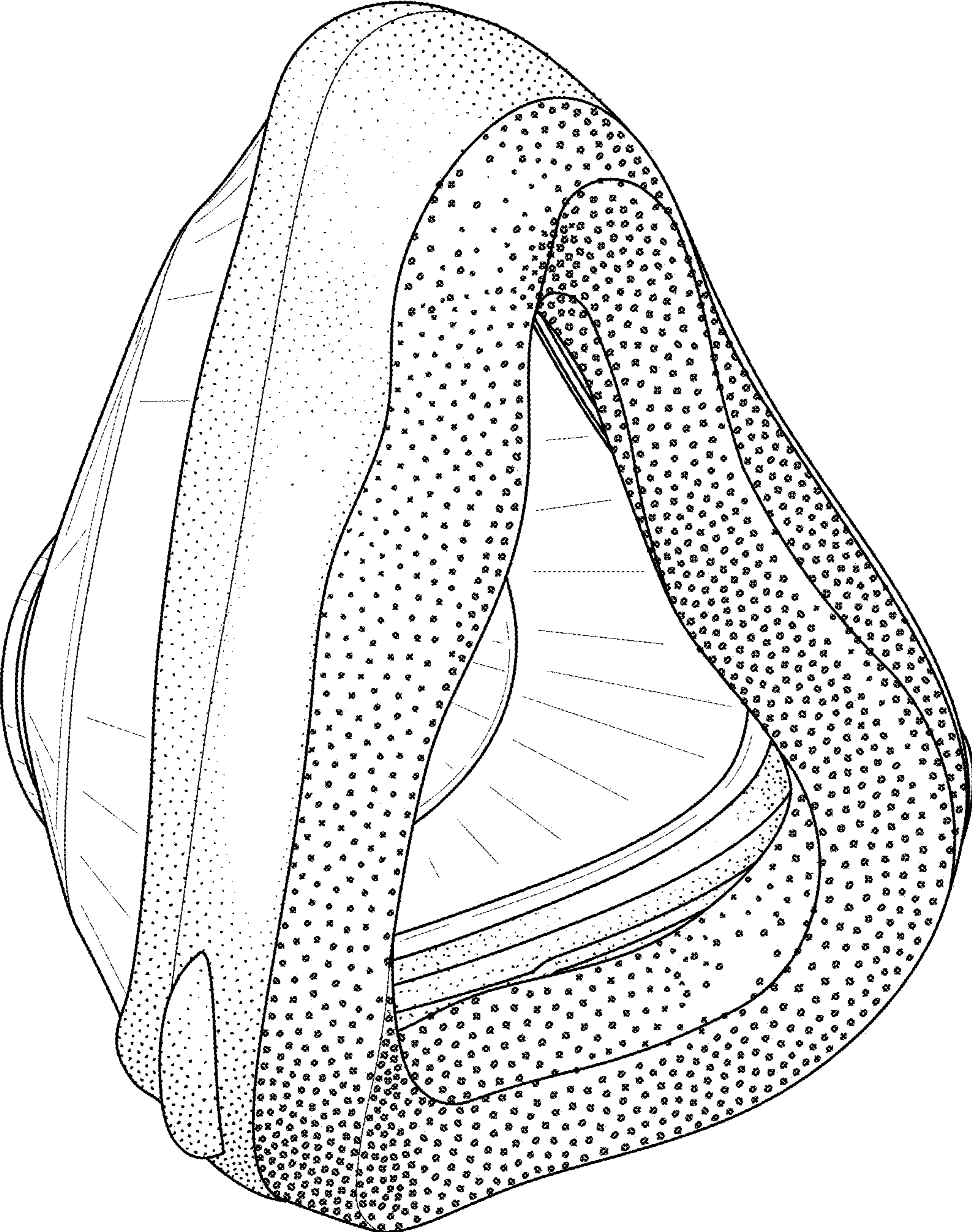
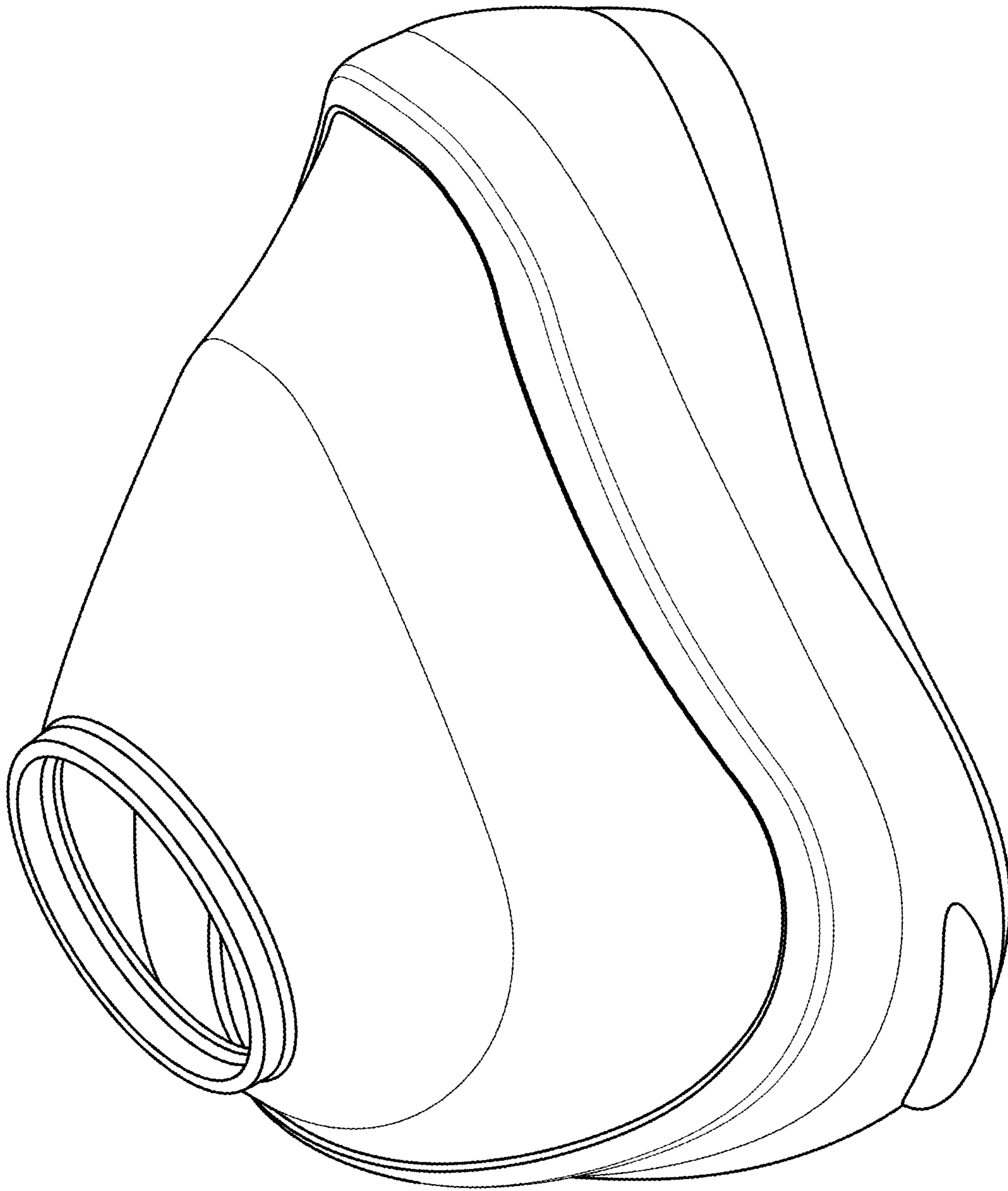
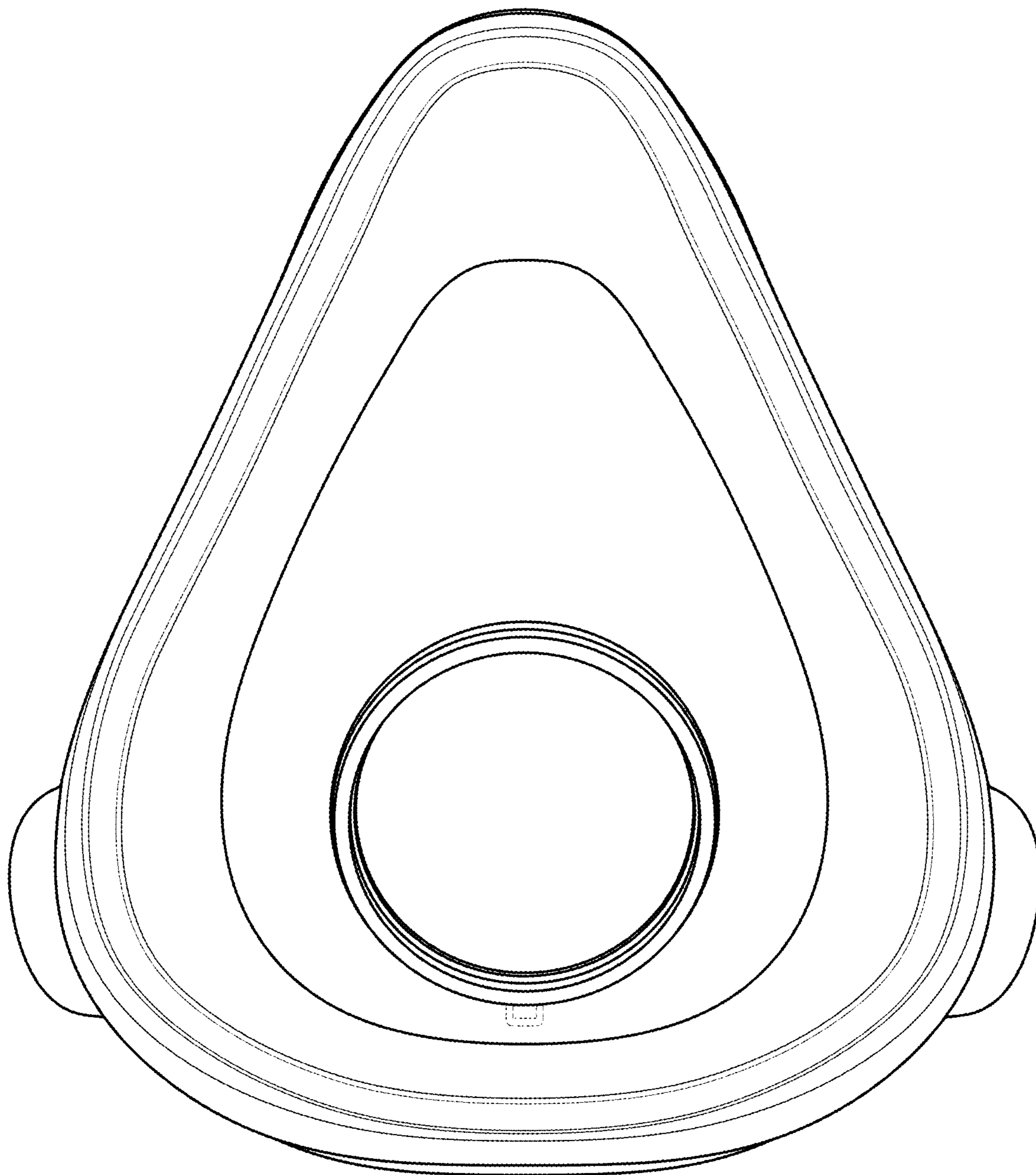


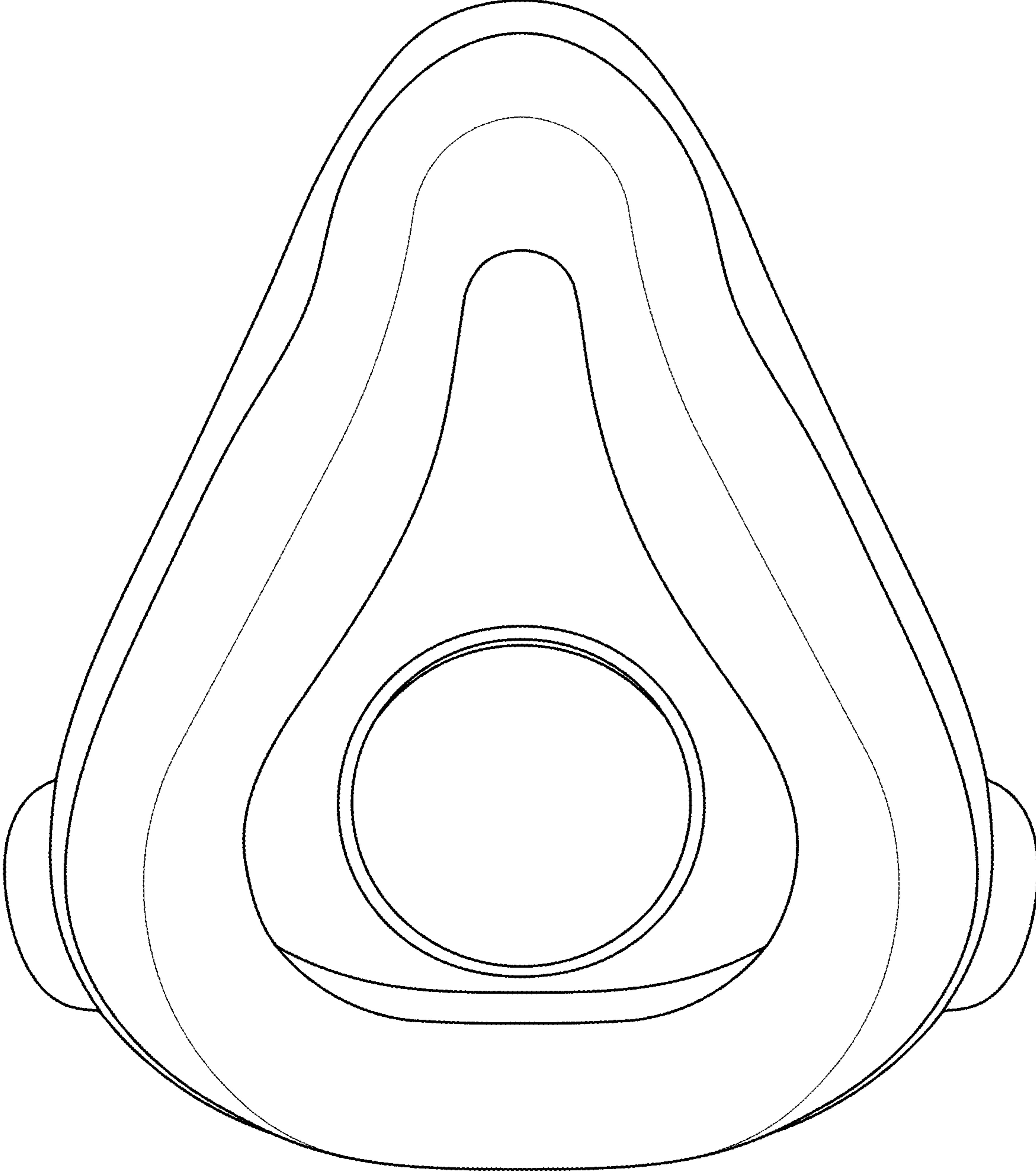
FIG. 8



**FIG. 9**



**FIG. 10**



**FIG. 11**

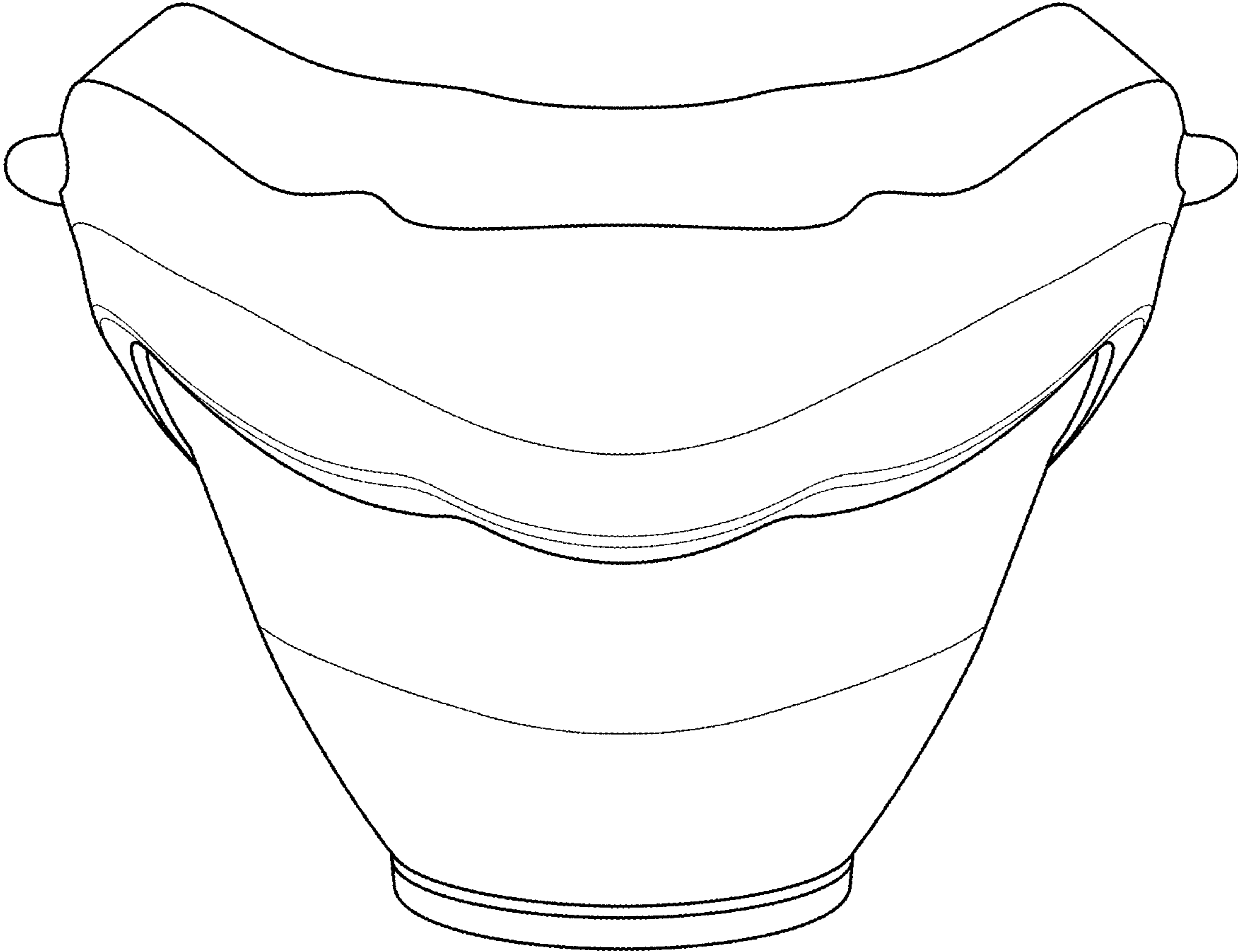


FIG. 12

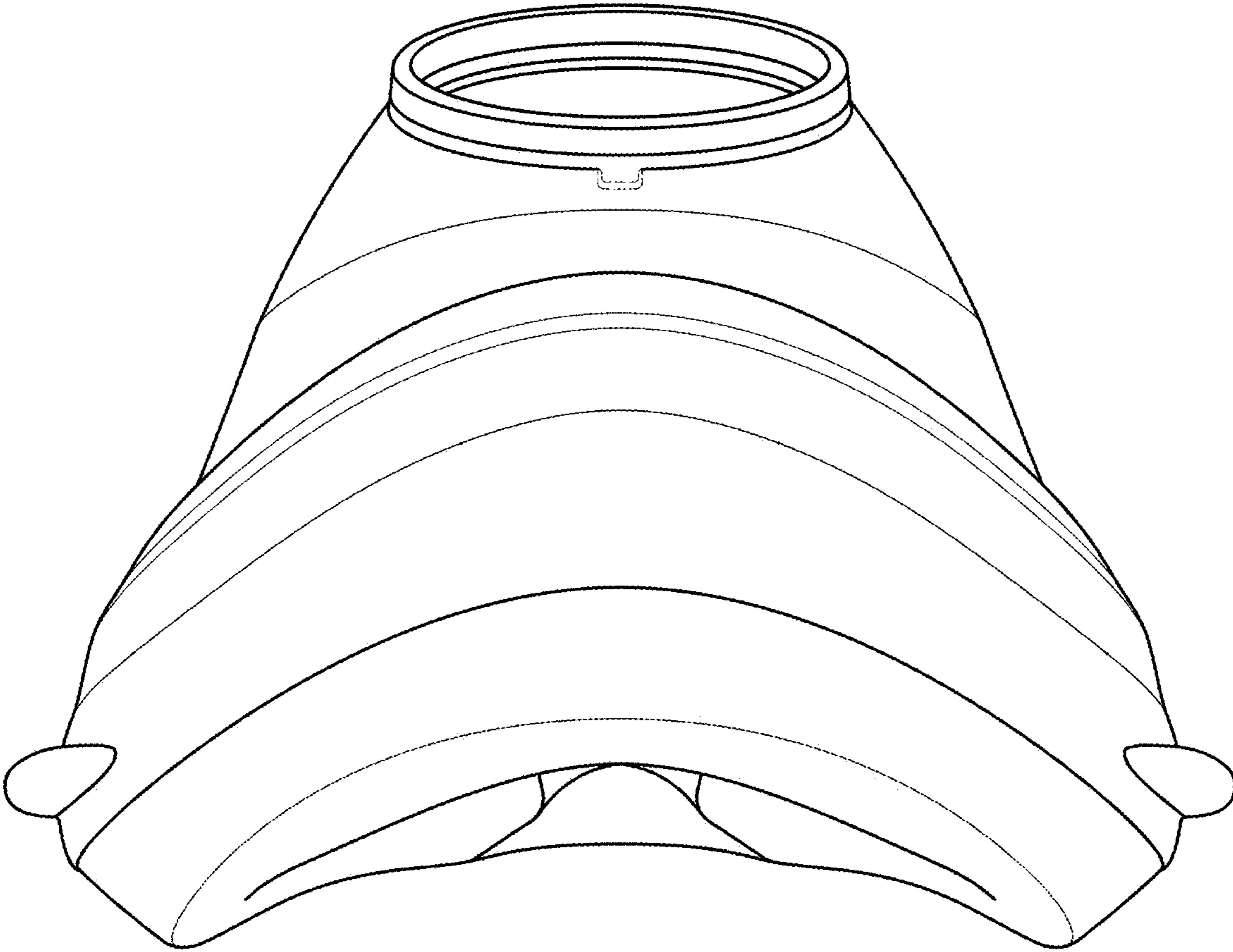


FIG. 13

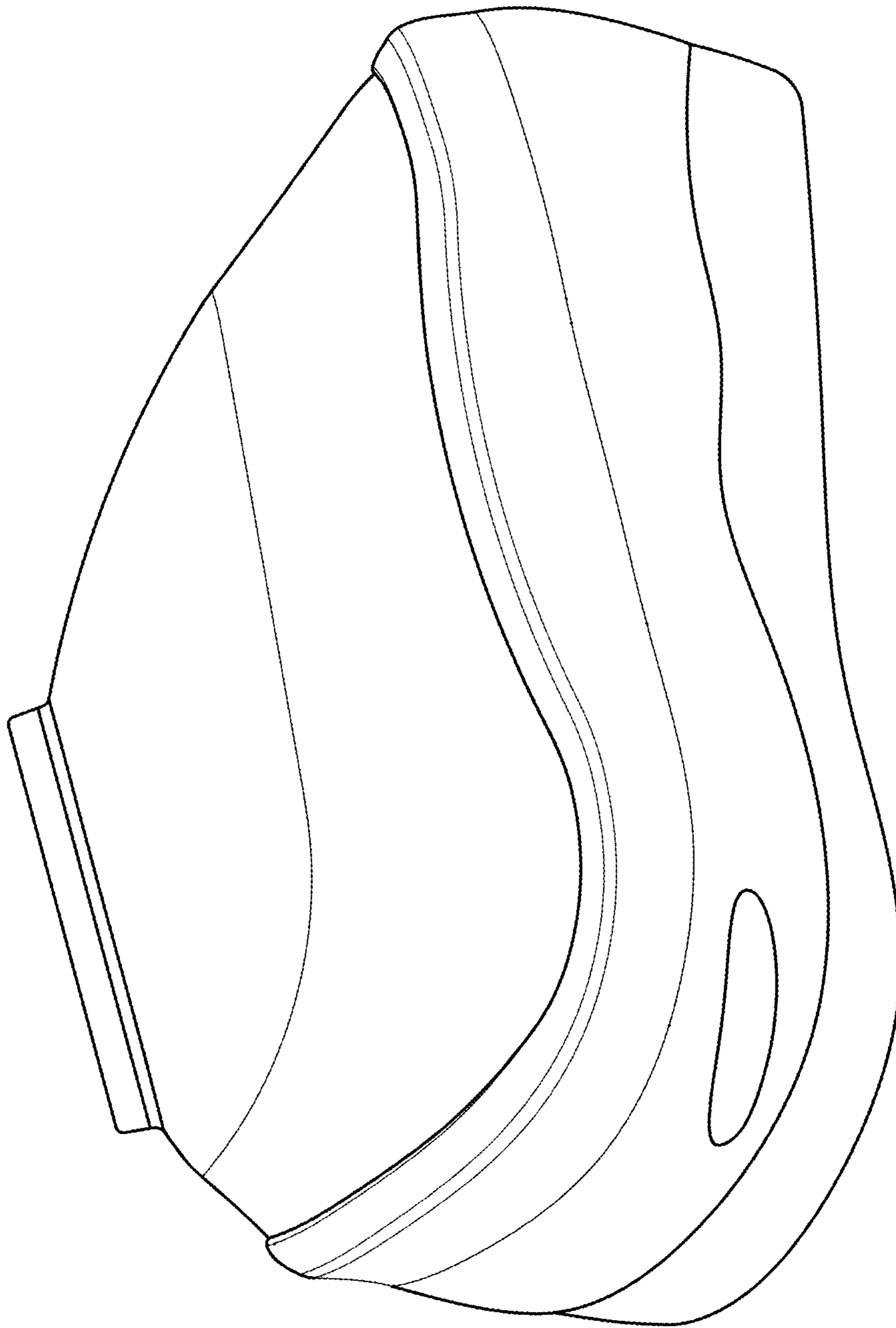
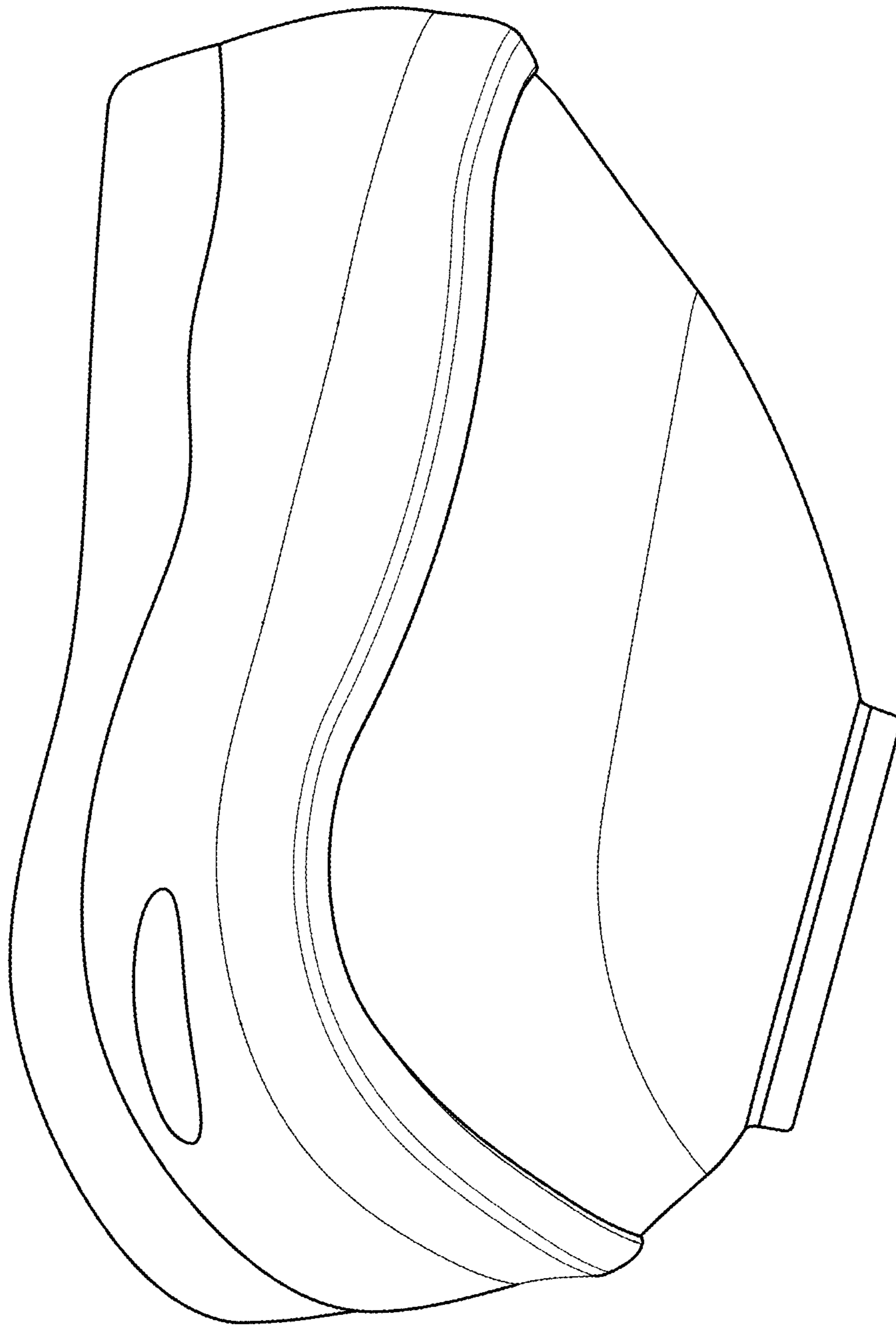
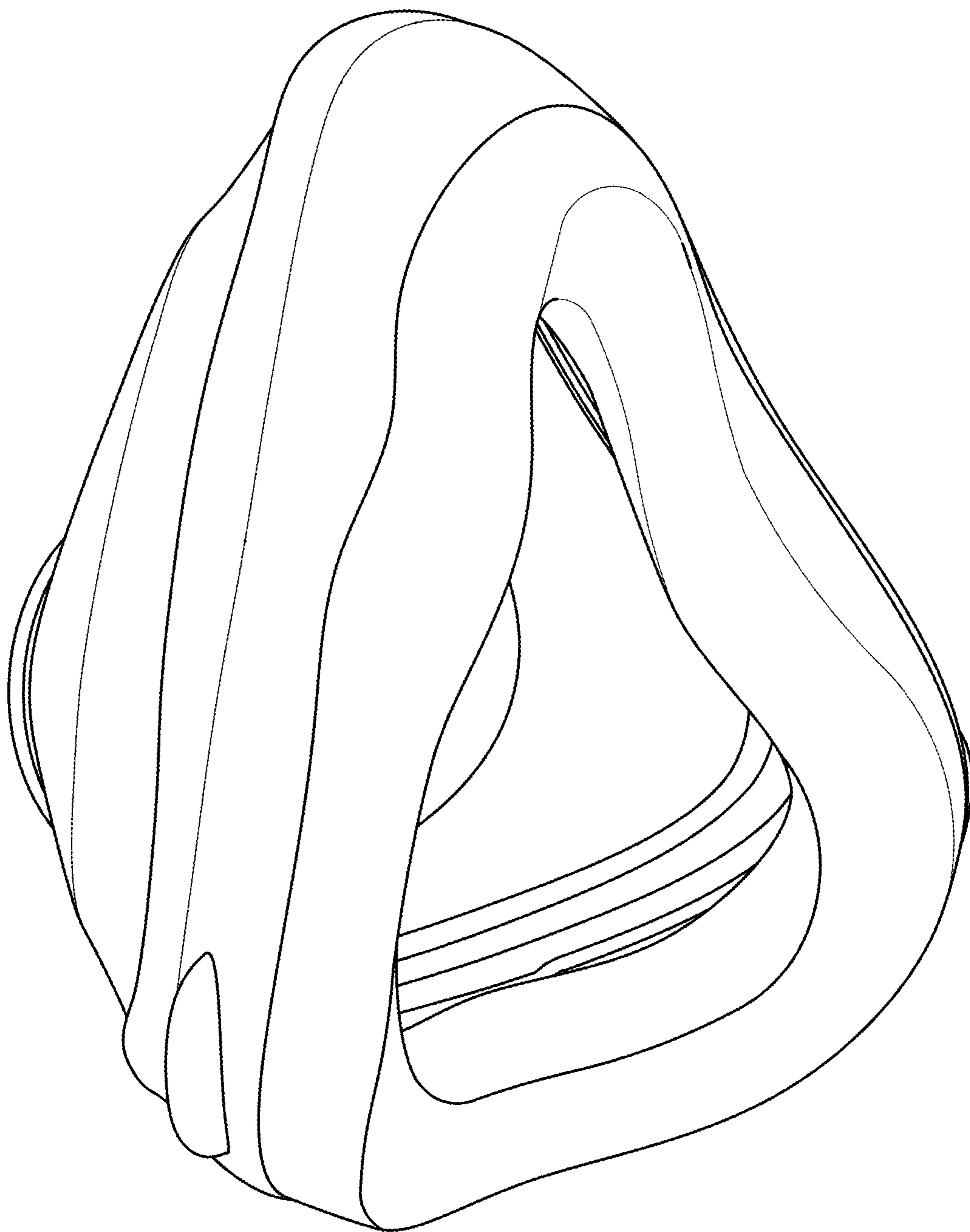


FIG. 14





**FIG. 15**



**FIG. 16**