

US00D906512S

(12) **United States Design Patent**
Herrick et al.

(10) **Patent No.:** **US D906,512 S**

(45) **Date of Patent:** **** Dec. 29, 2020**

(54) **GAS REMOVAL APPARATUS**

(71) Applicants: **Norton Herrick**, Boca Raton, FL (US);
David Saloff, Pacific Palisades, CA
(US); **Richard Green**, Santa Monica,
CA (US)

(72) Inventors: **Norton Herrick**, Boca Raton, FL (US);
David Saloff, Pacific Palisades, CA
(US); **Richard Green**, Santa Monica,
CA (US)

(73) Assignee: **AILNH, LLC**, Boca Raton, FL (US)

(**) Term: **15 Years**

(21) Appl. No.: **29/643,923**

(22) Filed: **Apr. 12, 2018**

(51) **LOC (12) Cl.** **23-99**

(52) **U.S. Cl.**
USPC **D23/499**

(58) **Field of Classification Search**
USPC D23/499; D24/112
CPC C10L 11/06
See application file for complete search history.

(56) **References Cited**

U.S. PATENT DOCUMENTS

D418,222 S *	12/1999	Pellow	D24/112
D720,850 S *	1/2015	Hsia	D24/130
D758,568 S *	6/2016	Wohlfahrt	D24/113
9,623,199 B2 *	4/2017	Richter	A61M 5/20
D810,273 S *	2/2018	Maier	D24/108
D818,117 S *	5/2018	Green	D24/112
D851,753 S *	6/2019	Green	D24/112

D869,647 S *	12/2019	Dorsey	D24/112
2018/0228983 A1 *	8/2018	Herrick	A61M 5/36
2019/0015600 A1 *	1/2019	Herrick	A61M 5/16822
2019/0151570 A1 *	5/2019	Herrick	A61M 5/14

FOREIGN PATENT DOCUMENTS

JP	2018161498 A *	10/2018	
JP	2019181165 A *	10/2019 A61M 5/36

* cited by examiner

Primary Examiner — Karen S Acker

Assistant Examiner — Steven B Reinholdt, Jr.

(74) *Attorney, Agent, or Firm* — Steve Hassid; Partners
Law Group, Inc.

(57) **CLAIM**

The ornamental design for a gas removal apparatus, as
shown and described.

DESCRIPTION

FIG. 1 is a top, right and front perspective view of a first
embodiment of a gas removal apparatus showing our new
design.

FIG. 2 is a left elevational view thereof.

FIG. 3 is a front elevational view thereof.

FIG. 4 is a right elevational view thereof.

FIG. 5 is a rear elevational view thereof.

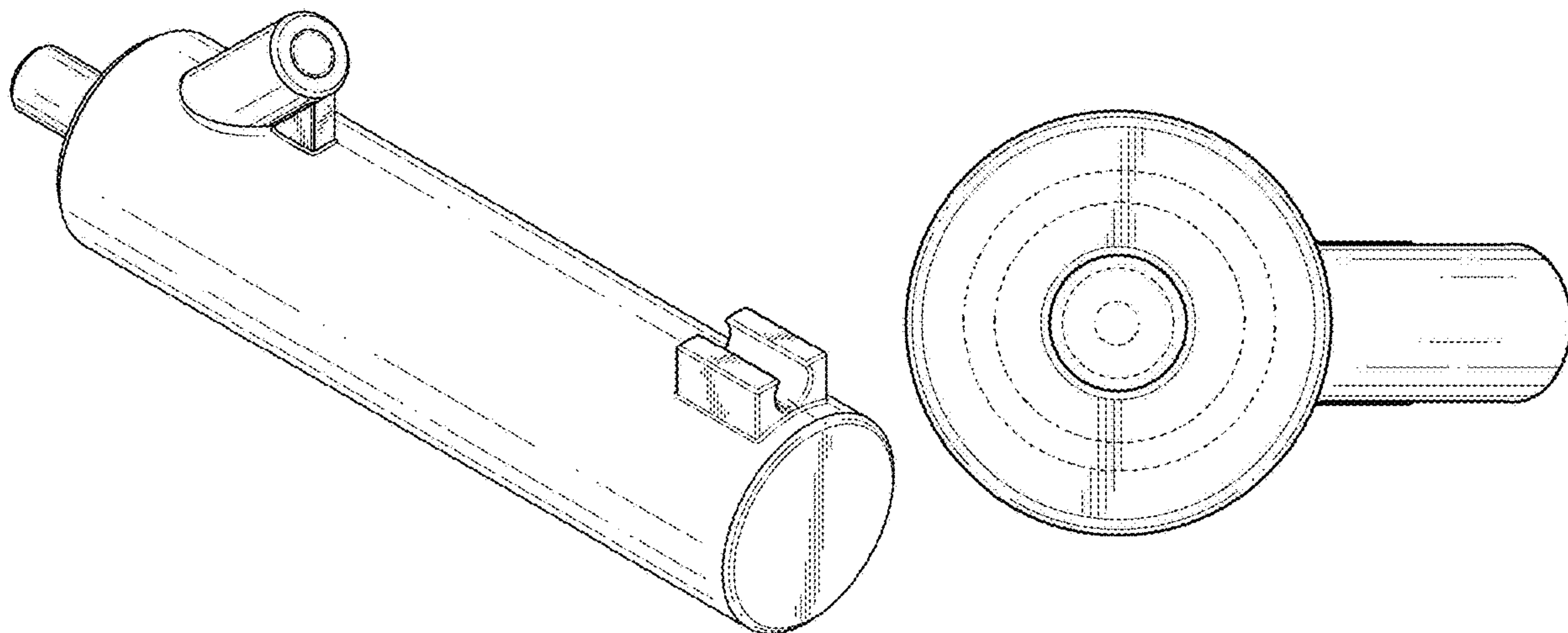
FIG. 6 is an enlarged top plan view thereof; and,

FIG. 7 is an enlarged bottom plan view thereof.

The evenly spaced broken lines and the areas within them
depict a portion of the gas removal apparatus that forms no
part of the claimed design.

The dot-dash-dot broken lines in FIGS. 1, 3 and 6 denote
boundaries of the claim and form no part thereof.

1 Claim, 3 Drawing Sheets



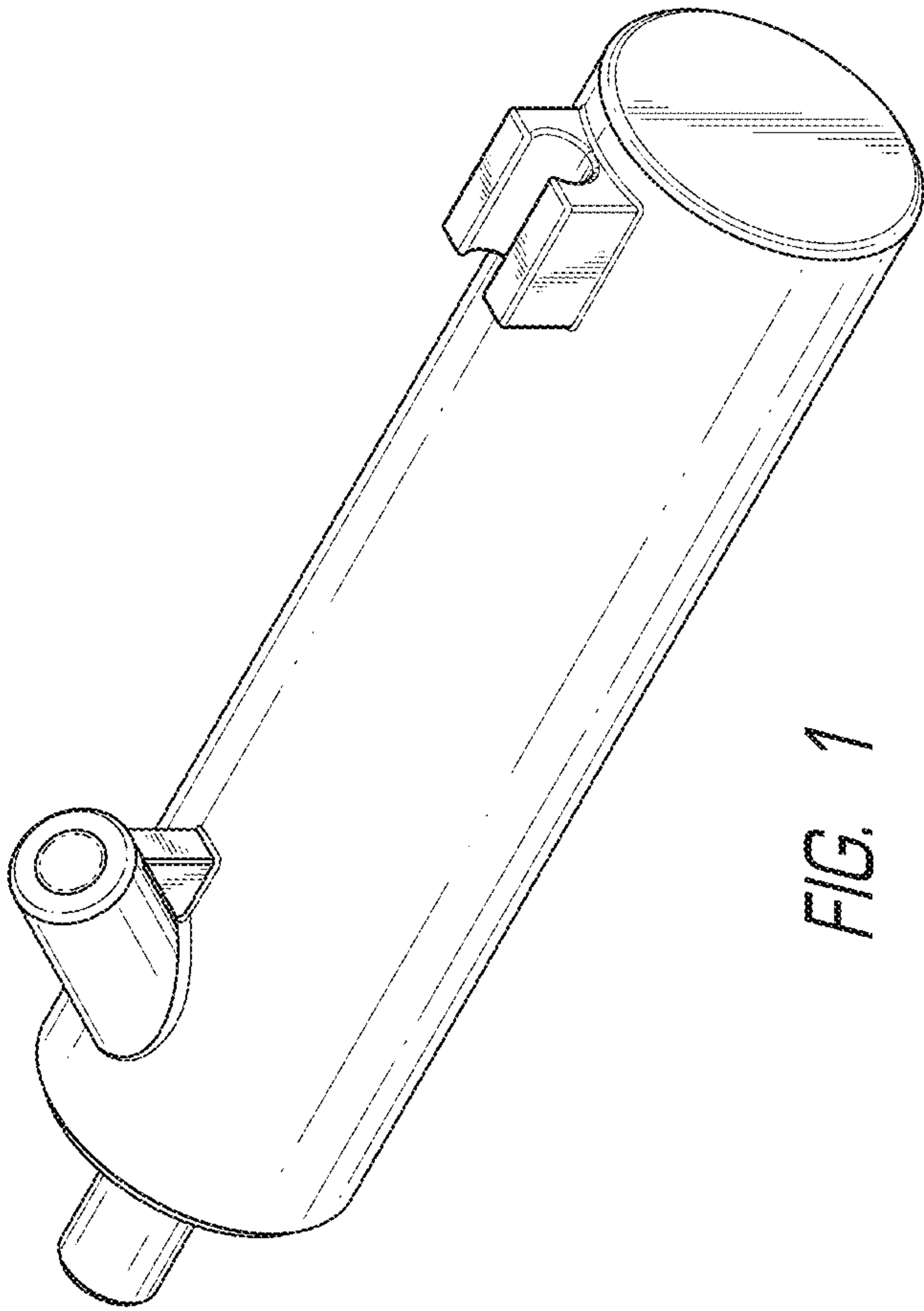


FIG. 1

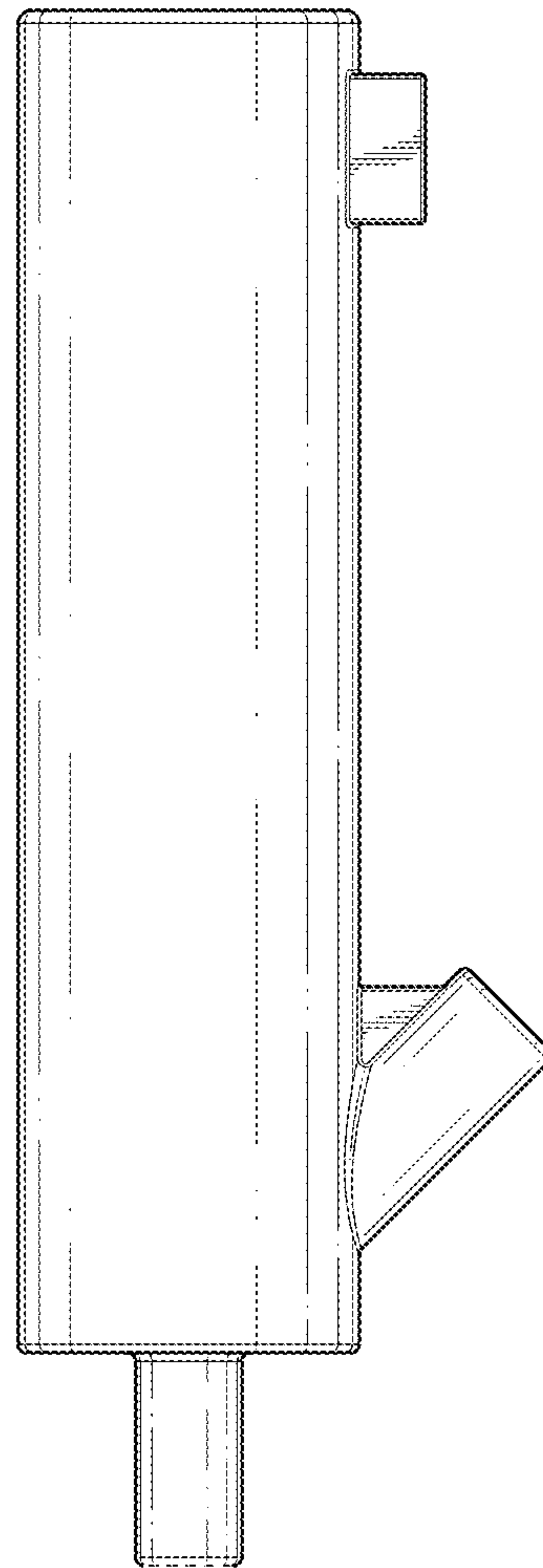


FIG. 2

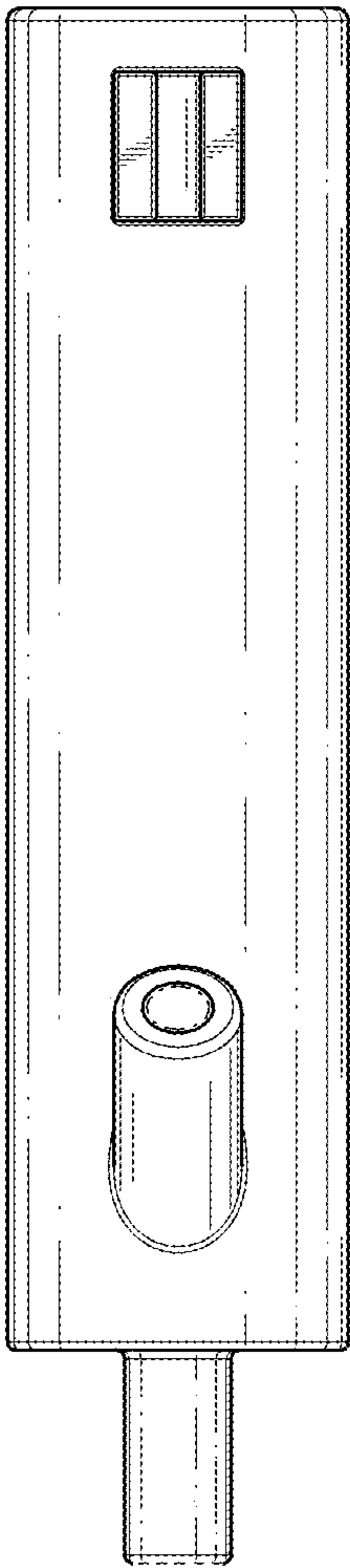


FIG. 3

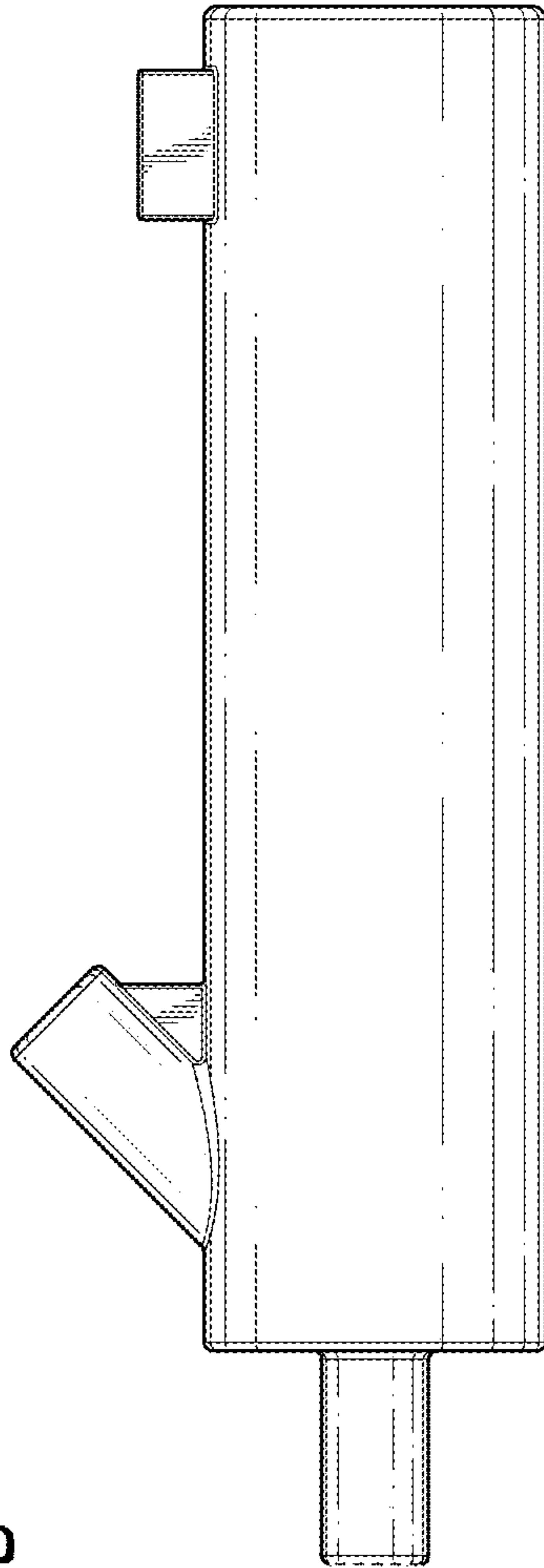


FIG. 4

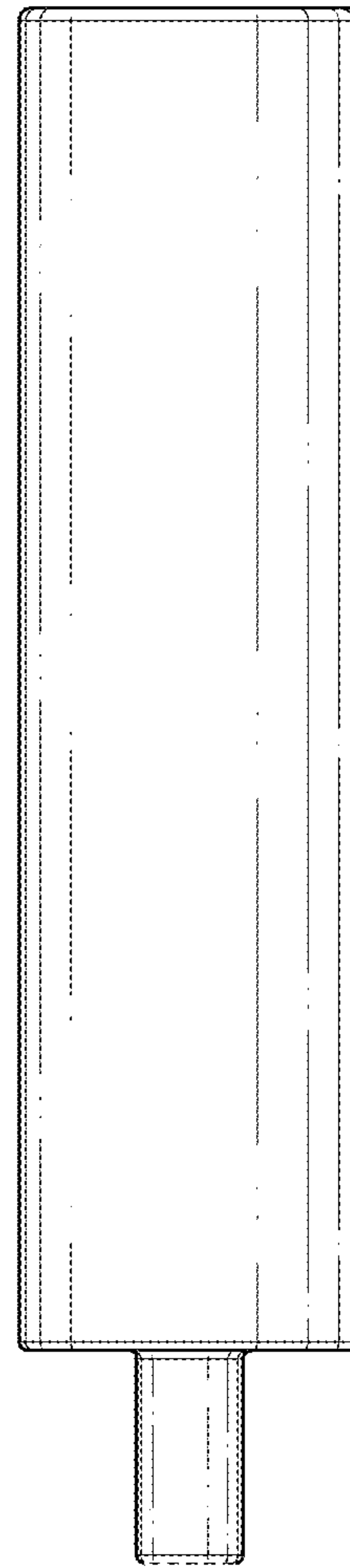


FIG. 5

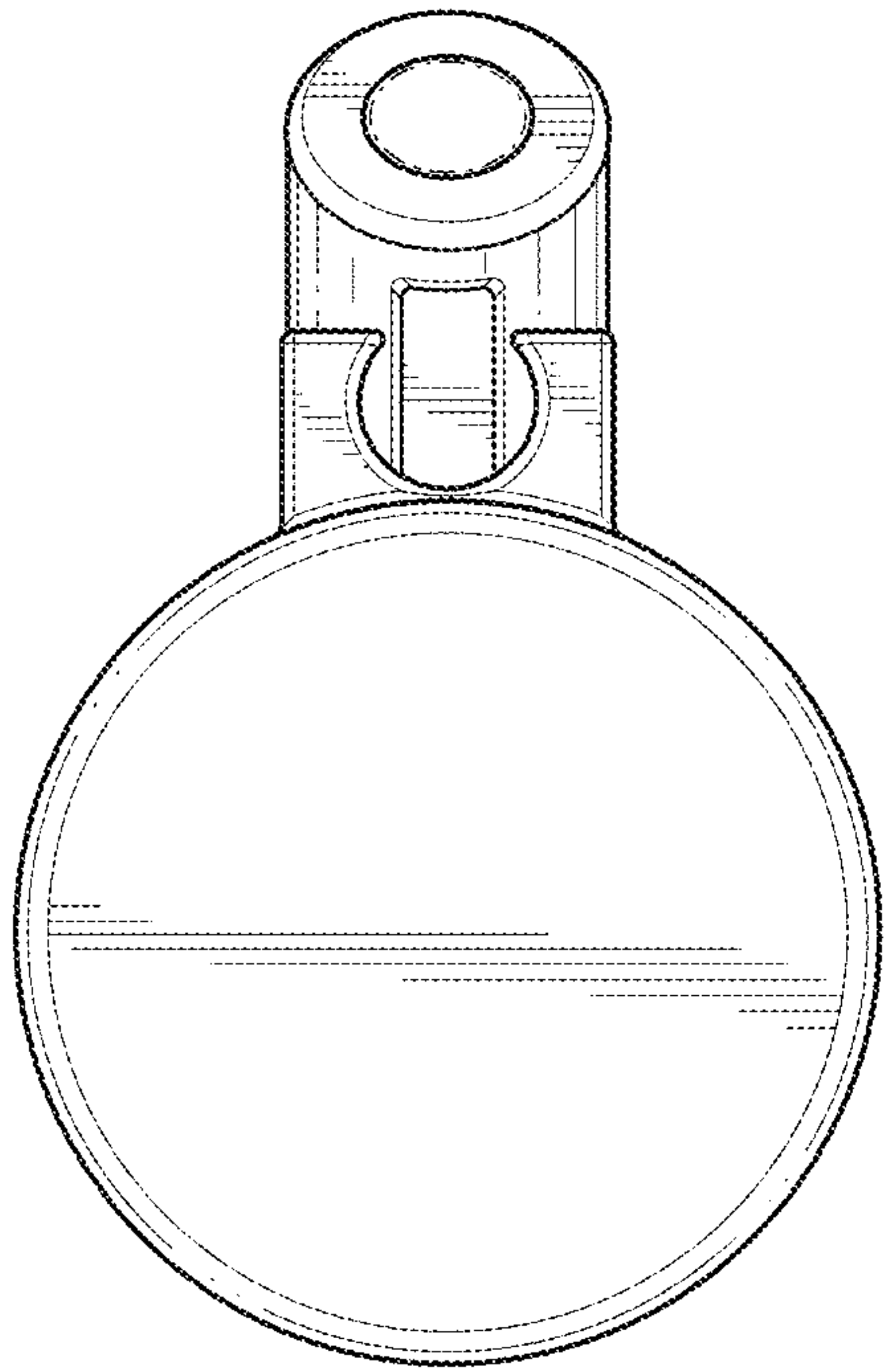


FIG. 6

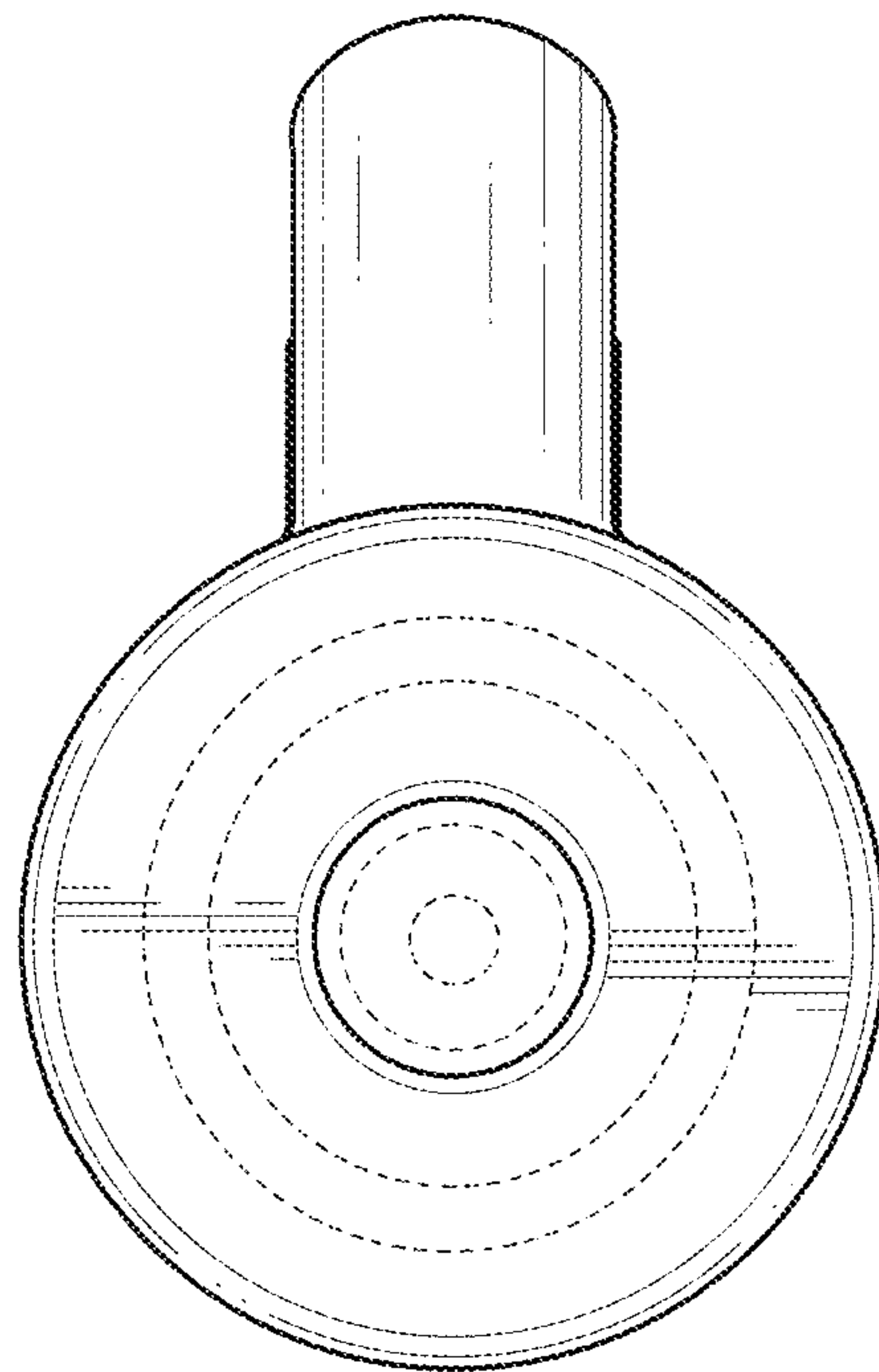


FIG. 7