



US00D906510S

(12) **United States Design Patent**
Heli et al.

(10) **Patent No.:** **US D906,510 S**

(45) **Date of Patent:** **** Dec. 29, 2020**

(54) **FAN WITH A COOLING ELEMENT**

(71) Applicant: **ebm-papst Mulfingen GmbH & Co. KG, Mulfingen (DE)**

(72) Inventors: **Thomas Heli, Langenburg (DE); Peter Riegler, Boxberg (DE); Daniel Gebert, Öhringen (DE); Valerius Schaaf, Kupferzell (DE)**

(73) Assignee: **ebm-papst Mulfingen GmbH & Co. KG, Mulfingen (DE)**

(**) Term: **15 Years**

(21) Appl. No.: **29/679,047**

(22) Filed: **Feb. 1, 2019**

(30) **Foreign Application Priority Data**

Aug. 3, 2018 (EM) 005535507-0001

(51) **LOC (12) Cl.** **23-04**

(52) **U.S. Cl.**
USPC **D23/383; D23/370**

(58) **Field of Classification Search**
USPC D23/332, 370, 377, 378, 381, 382, 383,
D23/411, 412, 413, 414; D26/59;
D15/5; D32/15
CPC F04D 25/088; F04D 29/388; F04D 29/34;
F04D 25/08; F21V 33/0096
See application file for complete search history.

(56) **References Cited**

U.S. PATENT DOCUMENTS

D393,506 S * 4/1998 Ohi D32/15
D409,737 S * 5/1999 Nilsson D23/332

D417,044 S * 11/1999 Ohi D32/15
7,210,903 B2 * 5/2007 Lyons F04D 29/422
415/204
7,861,708 B1 * 1/2011 Lyons F04D 29/668
126/104 A
D708,730 S * 7/2014 Lei D23/383
D708,731 S * 7/2014 Lei D23/383
D815,722 S * 4/2018 Muller D23/370
D827,672 S * 9/2018 Kneip D15/5
2013/0129491 A1 * 5/2013 Lei F04D 29/708
415/182.1
2013/0195606 A1 * 8/2013 Adhvaryu F04D 23/008
415/1
2013/0216377 A1 * 8/2013 Wang F04D 29/102
415/230
2019/0186498 A1 * 6/2019 Haaf F04D 29/281

* cited by examiner

Primary Examiner — Janice Hallmark

(74) *Attorney, Agent, or Firm* — Harness, Dickey & Pierce, P.L.C.

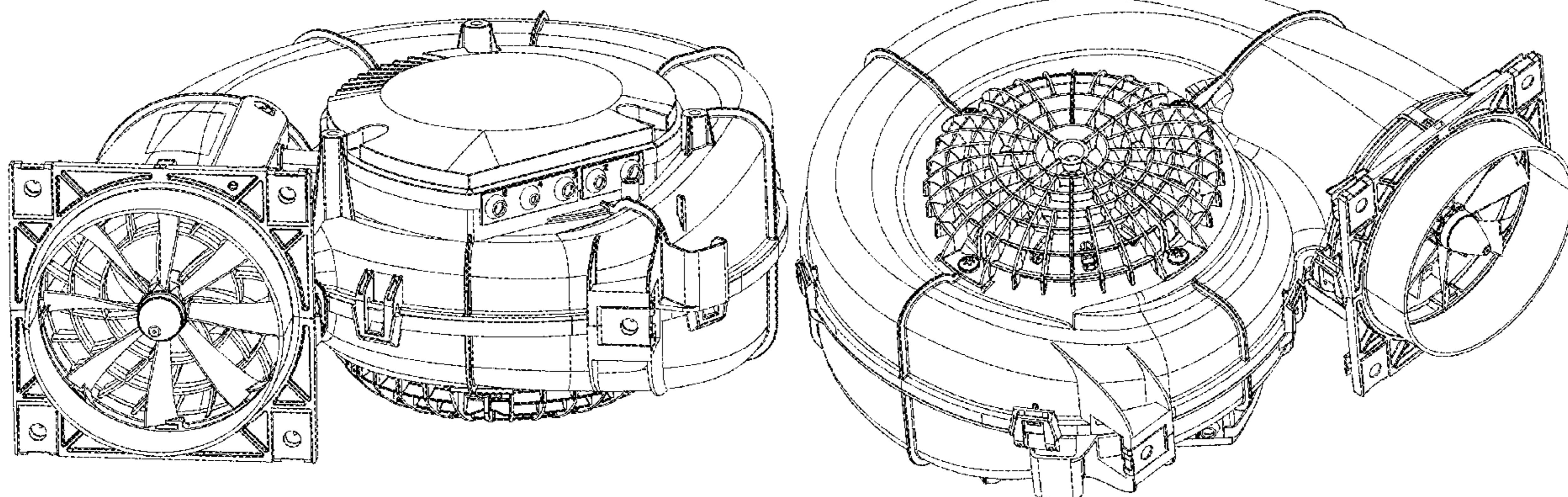
(57) **CLAIM**

The ornamental design for a fan with a cooling element, as shown and described.

DESCRIPTION

FIG. 1 is a top perspective view;
FIG. 2 is a right side elevation view;
FIG. 3 is a bottom plan perspective view;
FIG. 4 is a left top side perspective view;
FIG. 5 is a left bottom side perspective view;
FIG. 6 is a top plan view;
FIG. 7 is a left bottom side perspective view; and,
FIG. 8 is a left side elevation view.

1 Claim, 8 Drawing Sheets



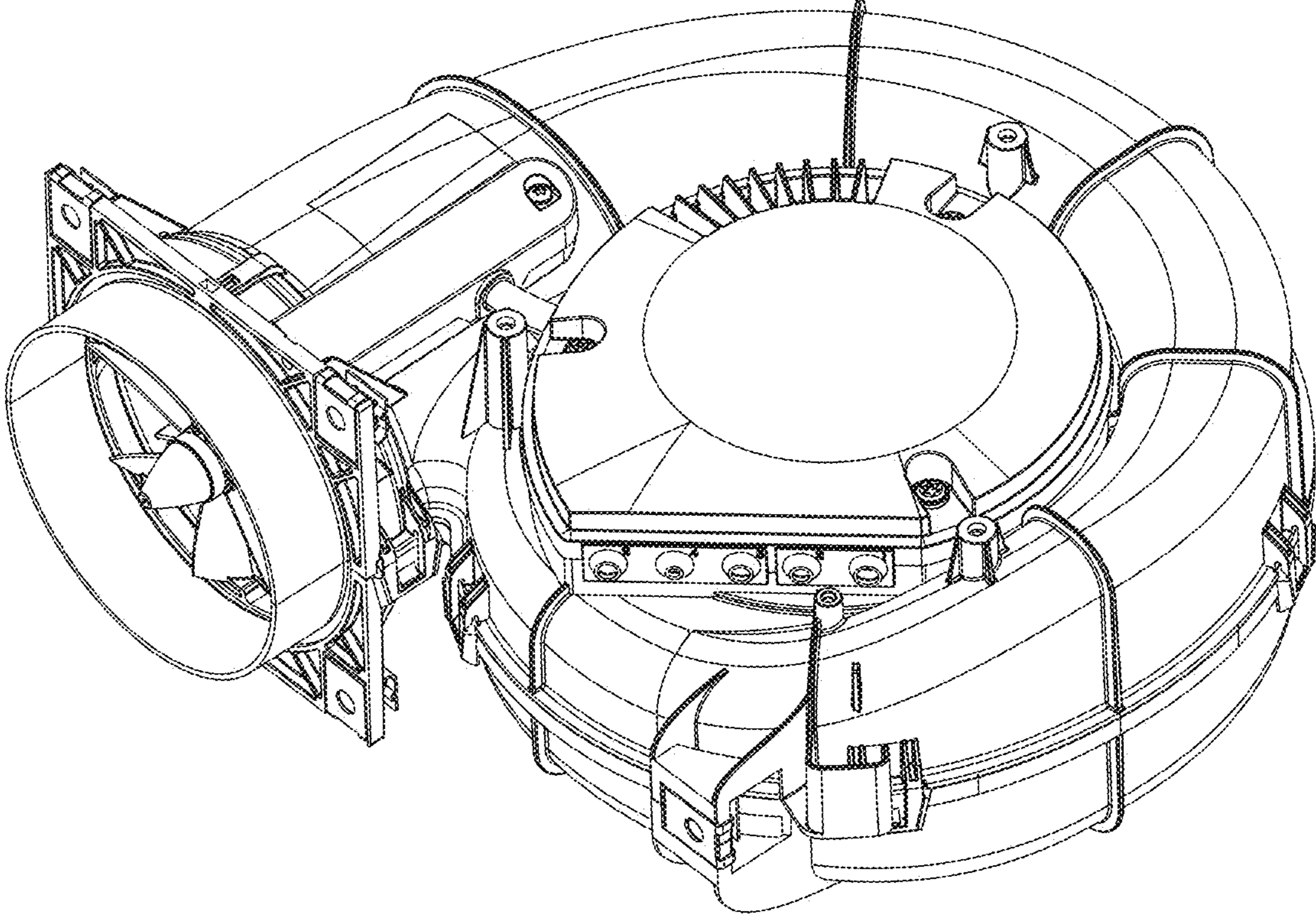


FIG - 1

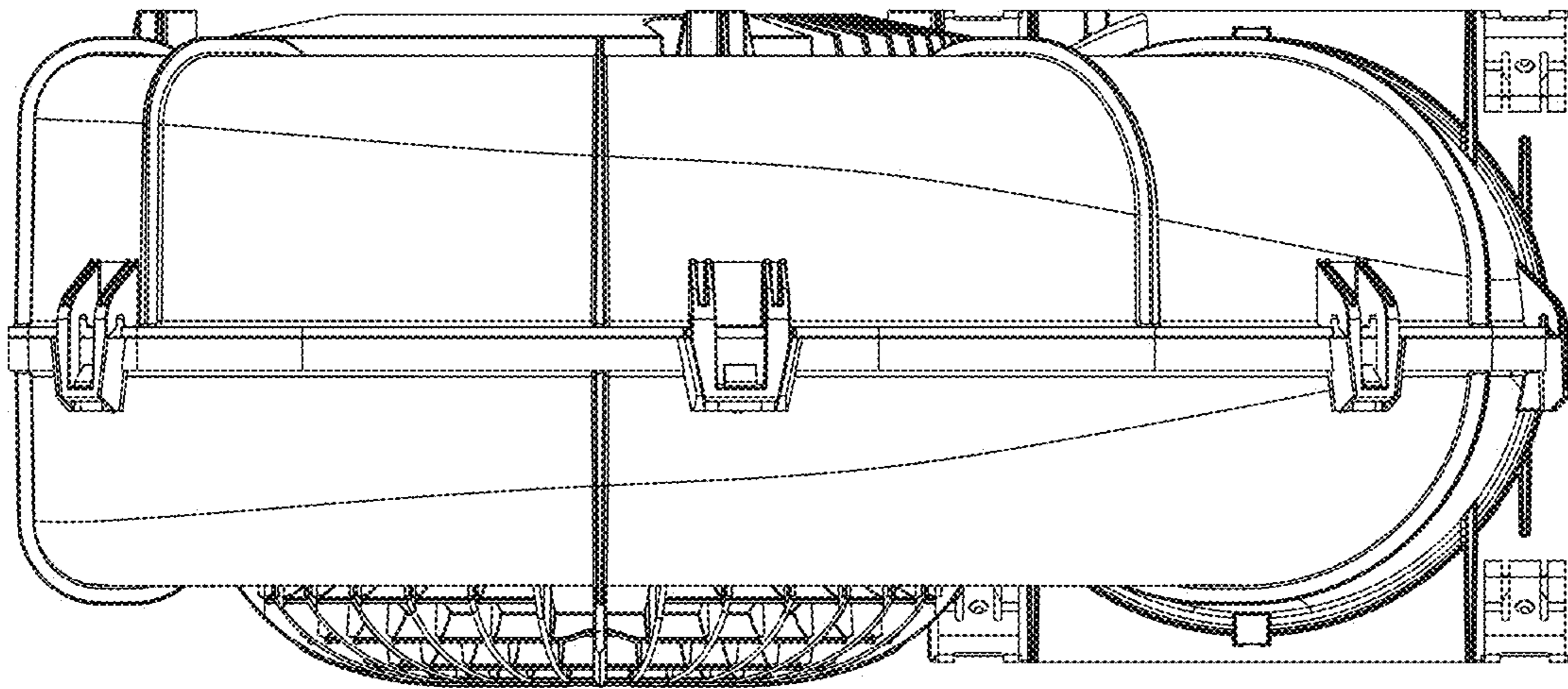


FIG - 2

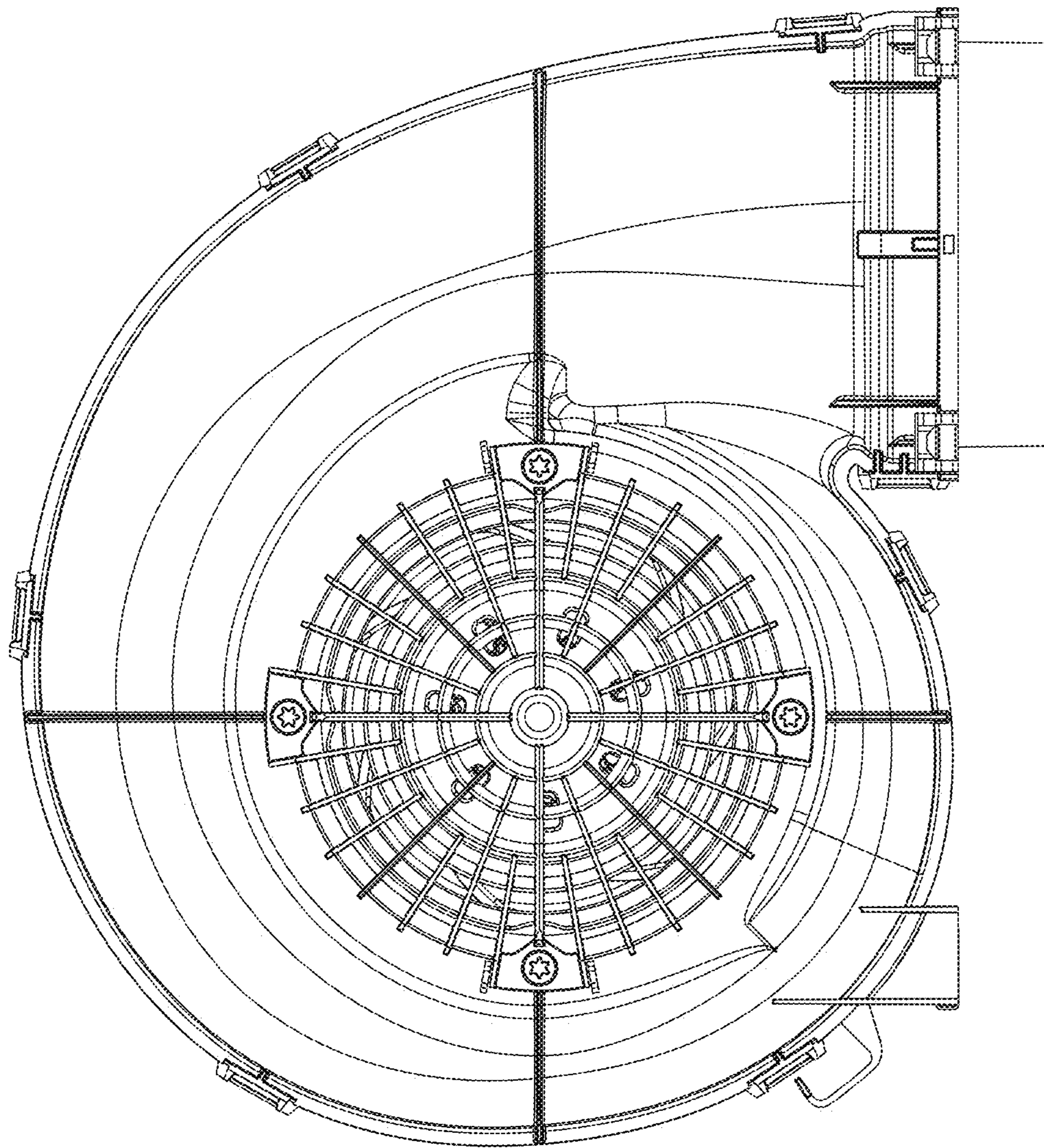


FIG - 3

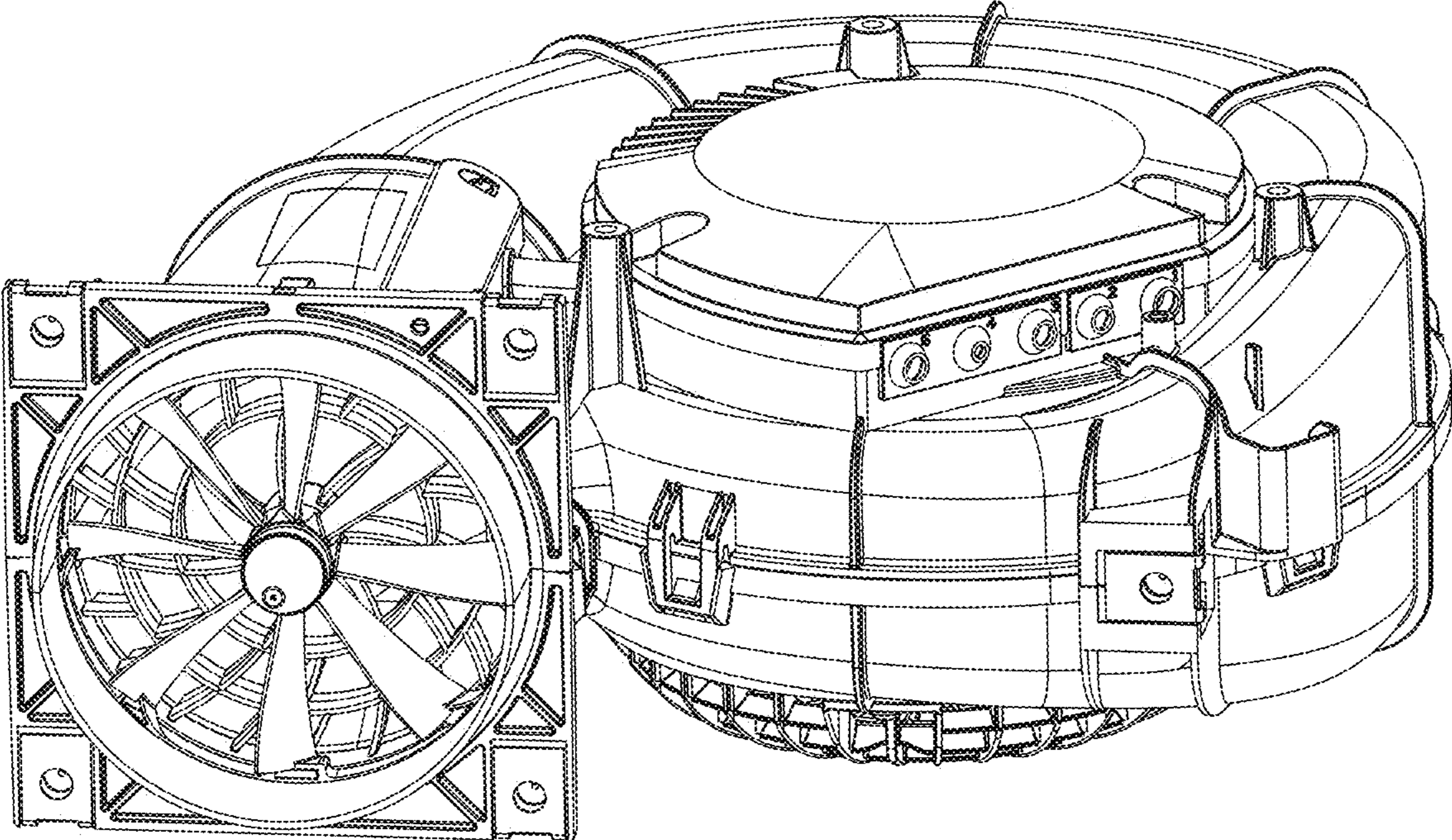


FIG - 4

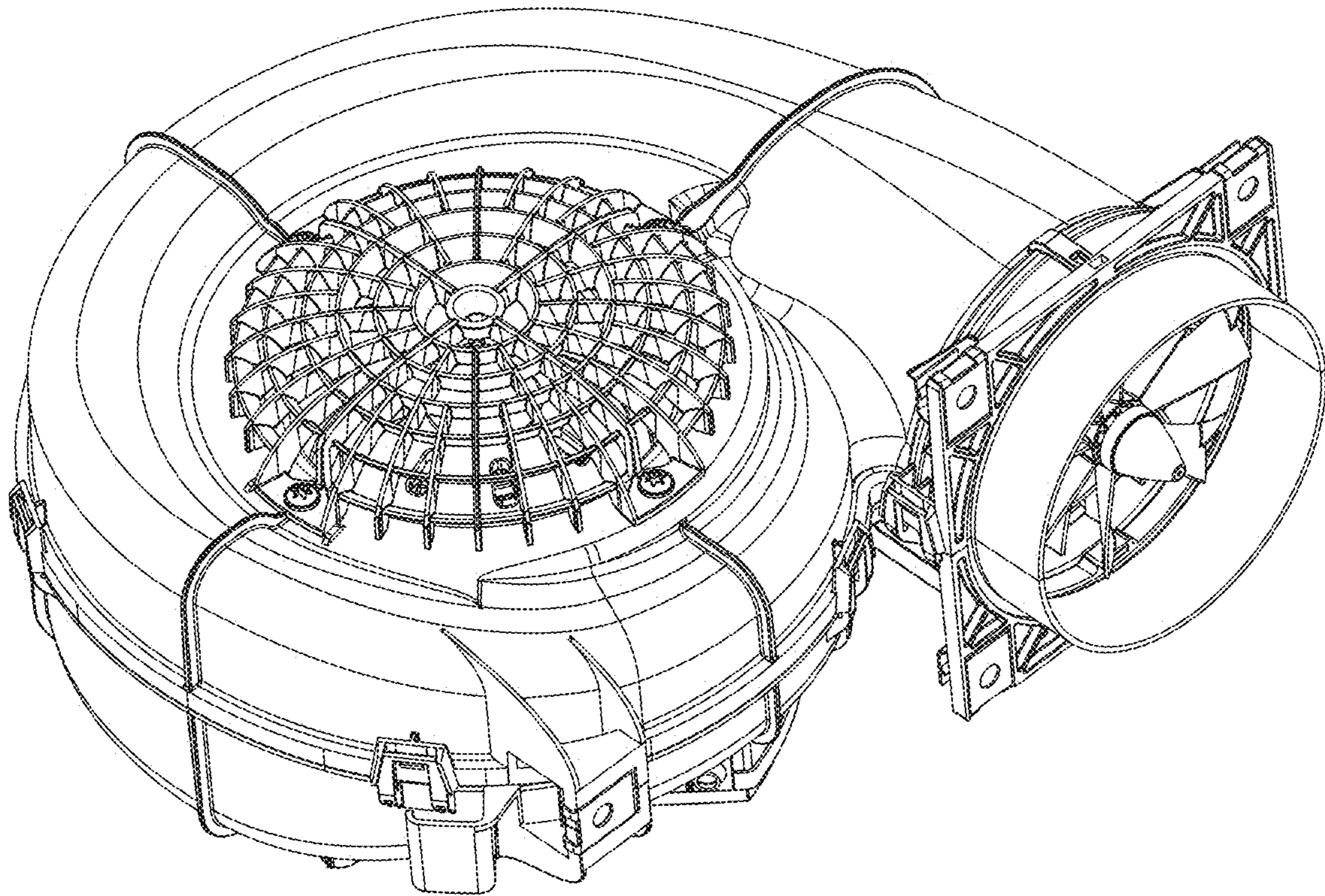


FIG - 5

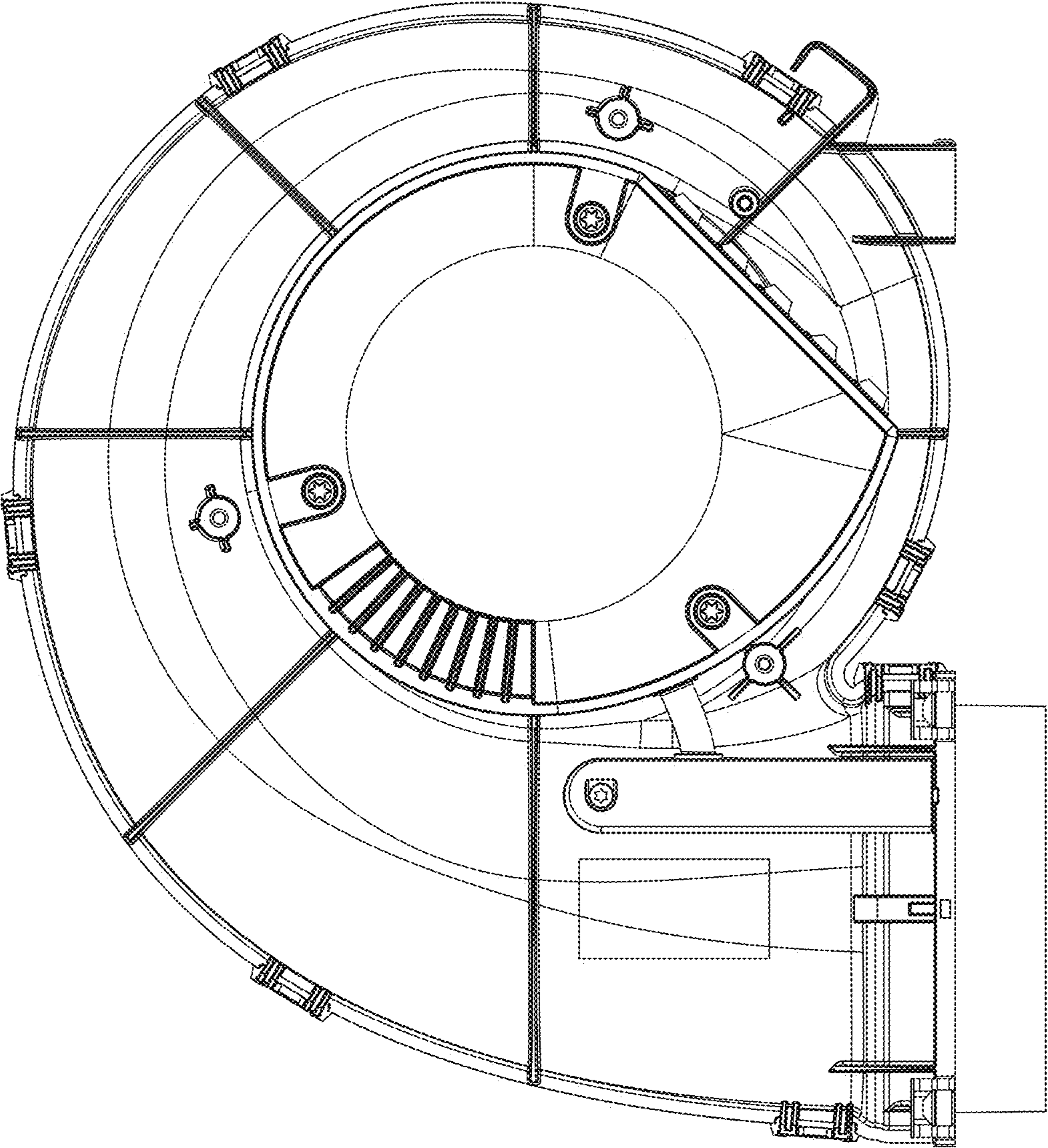


FIG - 6

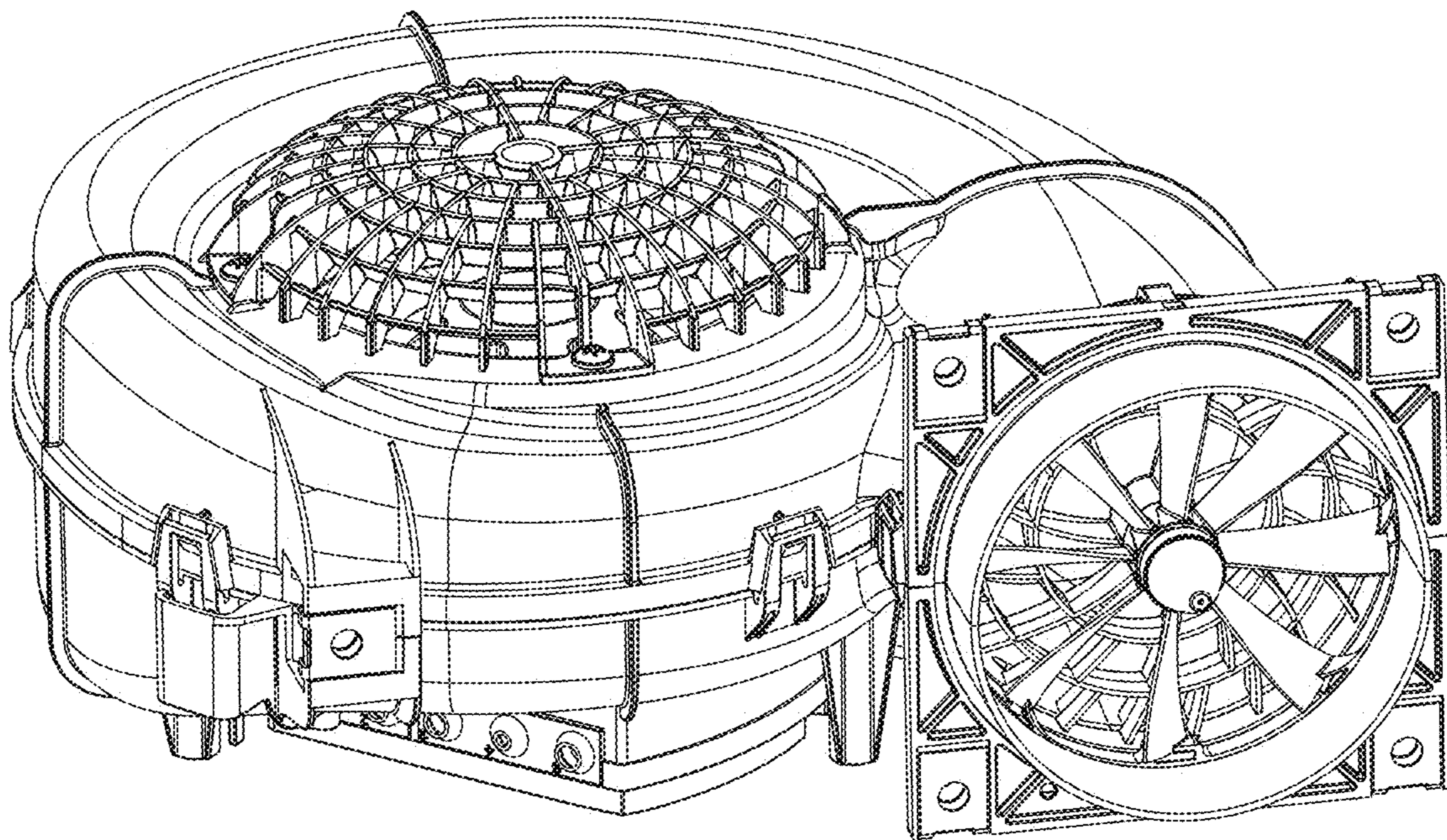


FIG - 7

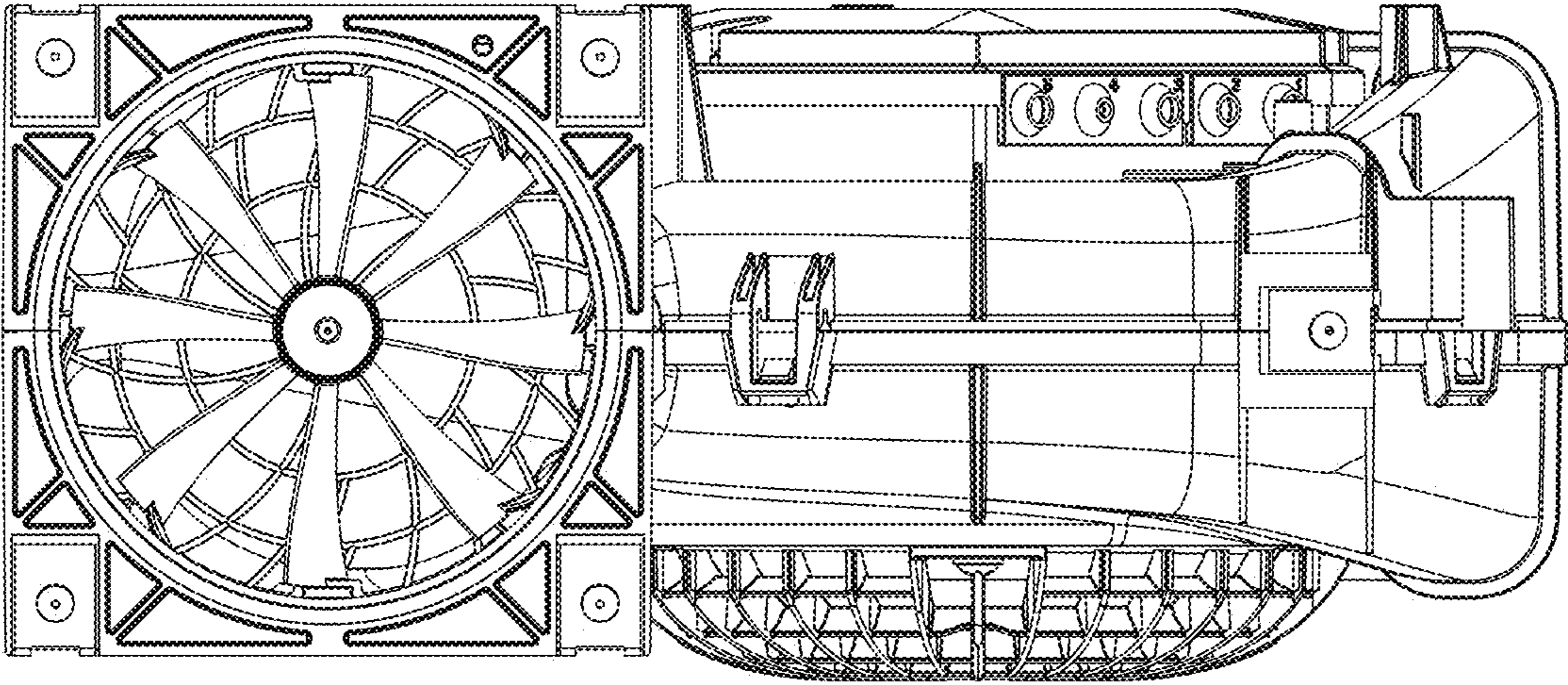


FIG - 8