



US00D906509S

(12) **United States Design Patent**  
**Zeng et al.**

(10) **Patent No.:** **US D906,509 S**

(45) **Date of Patent:** **\*\* Dec. 29, 2020**

- (54) **FAN**
- (71) Applicant: **O2Cool, LLC**, Chicago, IL (US)
- (72) Inventors: **Tom Zeng**, Shenzhen (CN); **Eric Junkel**, Mount Prospect, IL (US); **Oliver Breit**, Discovery Bay (HK); **Jason Yap**, Yuen Long (HK)
- (73) Assignee: **O2COOL, LLC**, Chicago, IL (US)
- (\*\*) Term: **15 Years**
- (21) Appl. No.: **29/676,508**
- (22) Filed: **Jan. 11, 2019**
- (51) **LOC (12) Cl.** ..... **23-04**
- (52) **U.S. Cl.**  
USPC ..... **D23/383**; D14/370
- (58) **Field of Classification Search**  
USPC ..... D23/200, 314, 333, 334, 351, 355, 370, D23/383, 359, 364, 365, 371-373, 376, D23/381-382, 384-387, 393, 399, 411, D23/499, 335; D32/15, 23, 25; D15/7  
CPC ..... F04D 29/28; F04D 29/281; F04D 29/40; F04D 29/4226; F04D 29/4253; F04D 19/00; F04D 19/002; A61M 16/0066  
See application file for complete search history.

(56) **References Cited**

**U.S. PATENT DOCUMENTS**

D184,468 S *	2/1959	Wistrand	.....	D23/370
D238,365 S *	1/1976	Mariol et al.	.....	D23/335
D246,252 S *	11/1977	Schade	.....	D23/335
D246,254 S *	11/1977	Schade	.....	D23/335
D296,583 S *	7/1988	Barradas	.....	D23/370
D297,259 S *	8/1988	Wen-Tun	.....	D23/381
D326,511 S *	5/1992	Chiang	.....	D23/328
D359,550 S *	6/1995	Chan	.....	D23/324
D482,772 S *	11/2003	Dooley	.....	D23/383

D512,500 S *	12/2005	Wilson, Jr.	.....	D23/383
D512,501 S *	12/2005	Wilson, Jr.	.....	D23/383
D526,751 S *	8/2006	Hendy	.....	D32/15
D537,153 S *	2/2007	Hoog	.....	D23/335
D537,156 S *	2/2007	Marengo	.....	D23/364
D565,162 S *	3/2008	Carlson	.....	D23/364
D566,823 S *	4/2008	Lewis	.....	D23/383
D594,962 S *	6/2009	Lewis	.....	D23/383
D608,437 S *	1/2010	Wawoe	.....	D23/382
D619,698 S *	7/2010	Emenheiser	.....	D23/383
D693,451 S *	11/2013	McKeage	.....	D23/370
D714,922 S *	10/2014	Speh	.....	D23/360
D733,981 S *	7/2015	Sechere	.....	D32/8
D761,950 S *	7/2016	Kulp	.....	D23/383
D782,022 S *	3/2017	Tejeda	.....	D23/383
D791,292 S *	7/2017	Kim	.....	D23/333
D832,989 S *	11/2018	Breit	.....	D23/370
D835,774 S *	12/2018	Shapiro	.....	D23/383

(Continued)

*Primary Examiner* — Marie D. Fast Horse

(74) *Attorney, Agent, or Firm* — Thompson Coburn LLP

(57) **CLAIM**

The ornamental design for a fan, as shown and described.

**DESCRIPTION**

FIG. 1 is a first perspective view of a fan showing our new design;

FIG. 2 is a second perspective view thereof;

FIG. 3 is a front view thereof;

FIG. 4 is a rear view thereof;

FIG. 5 is a left side view thereof;

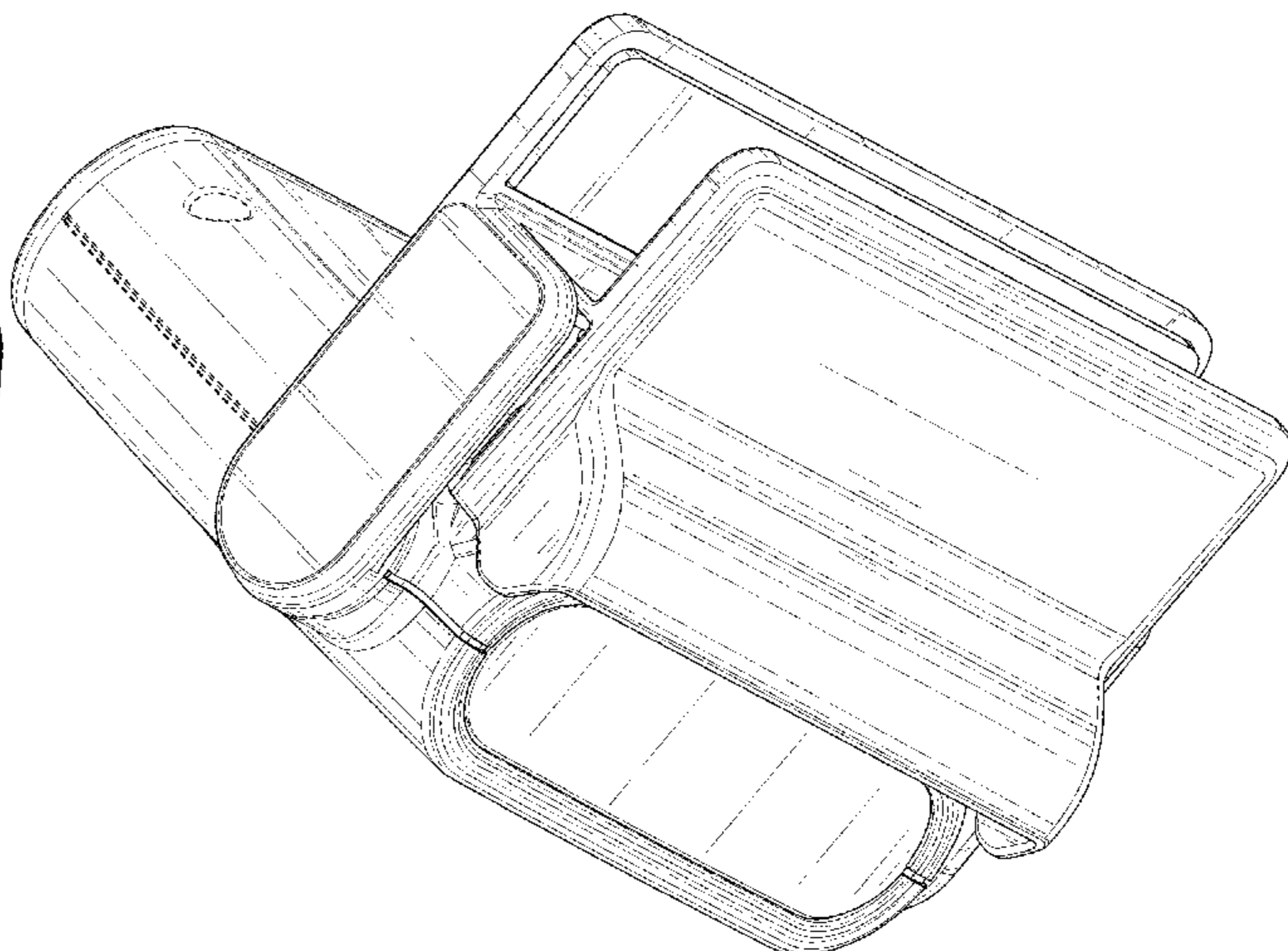
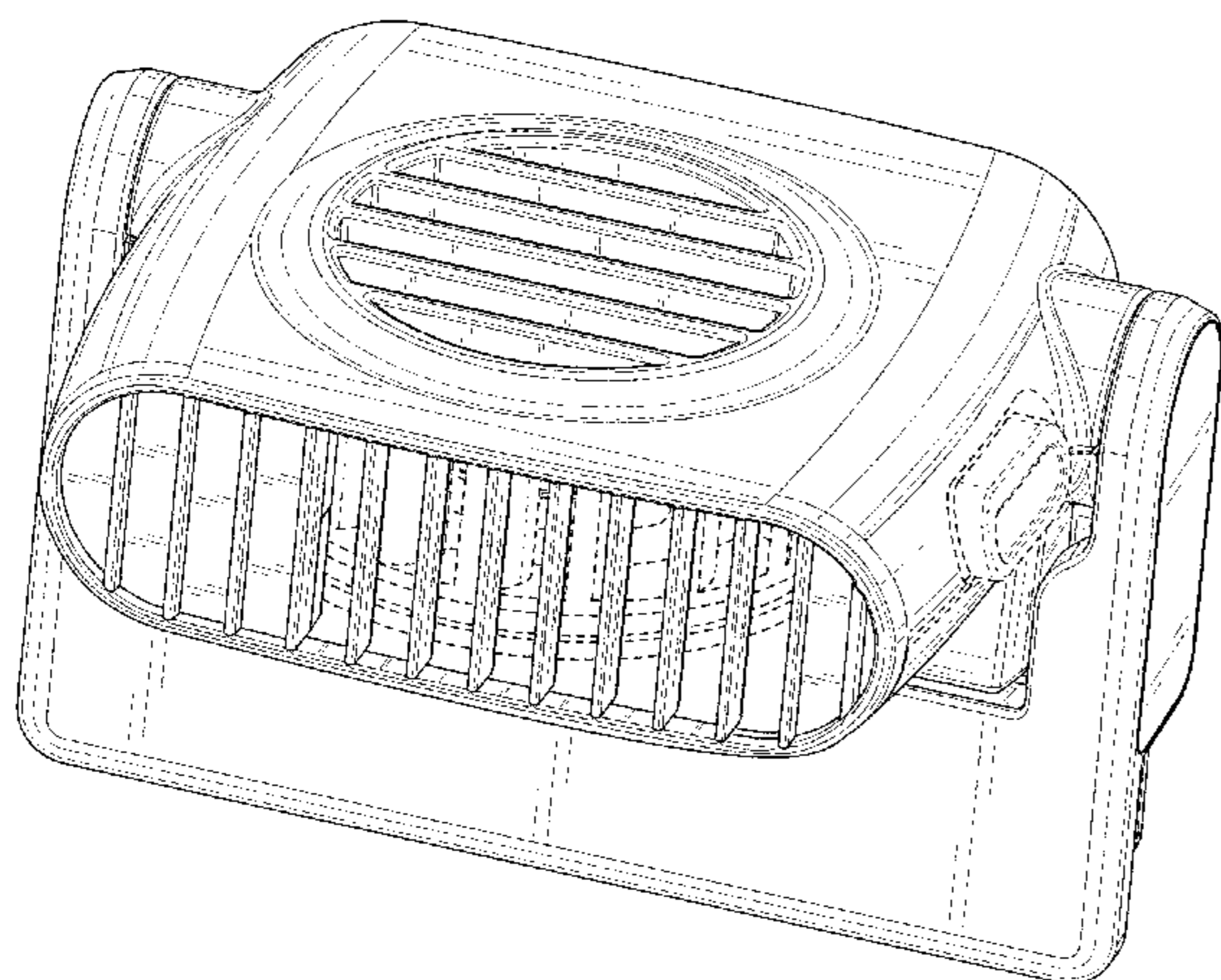
FIG. 6 is a right side view thereof;

FIG. 7 is a top view thereof; and,

FIG. 8 is a bottom view thereof.

The broken lines immediately adjacent the shaded areas represent the bounds of the claimed design while all other broken lines are directed to environment and are for illustrative purposes only; the broken lines form no part of the claimed design.

**1 Claim, 8 Drawing Sheets**



(56)

**References Cited**

U.S. PATENT DOCUMENTS

D836,766	S	*	12/2018	He	.....	D23/383
D847,968	S	*	5/2019	Haney	.....	D23/383
D869,632	S	*	12/2019	He	.....	D23/383
D869,633	S	*	12/2019	He	.....	D23/383
D869,634	S	*	12/2019	He	.....	D23/383
D884,131	S	*	5/2020	Zhu	.....	D23/335
2004/0047743	A1	*	3/2004	Dooley	.....	F04D 25/08
						417/234
2013/0247409	A1	*	9/2013	Black	.....	F26B 9/02
						34/443
2016/0327063	A1	*	11/2016	Tejeda	.....	F04D 25/06

\* cited by examiner

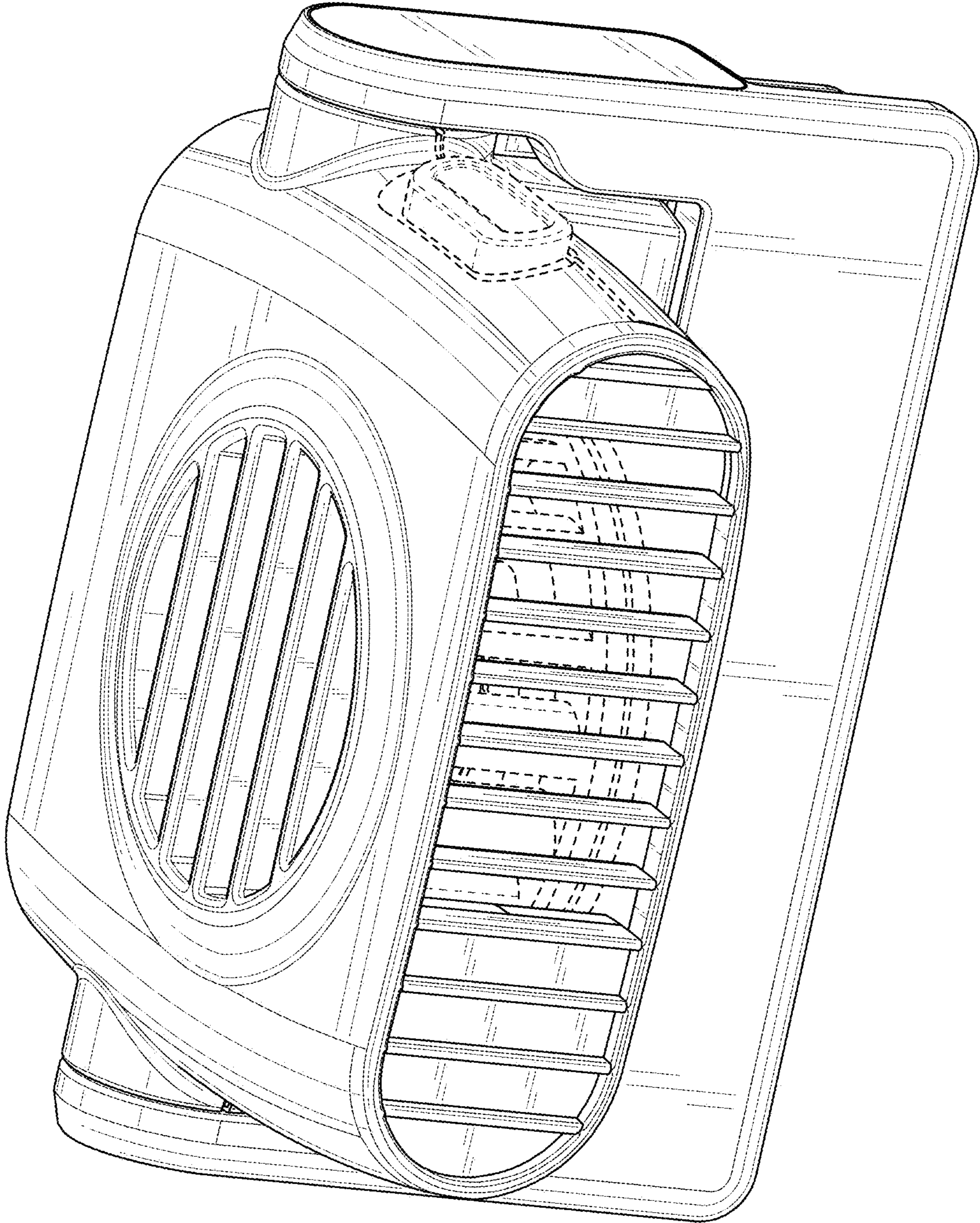


FIG. 1

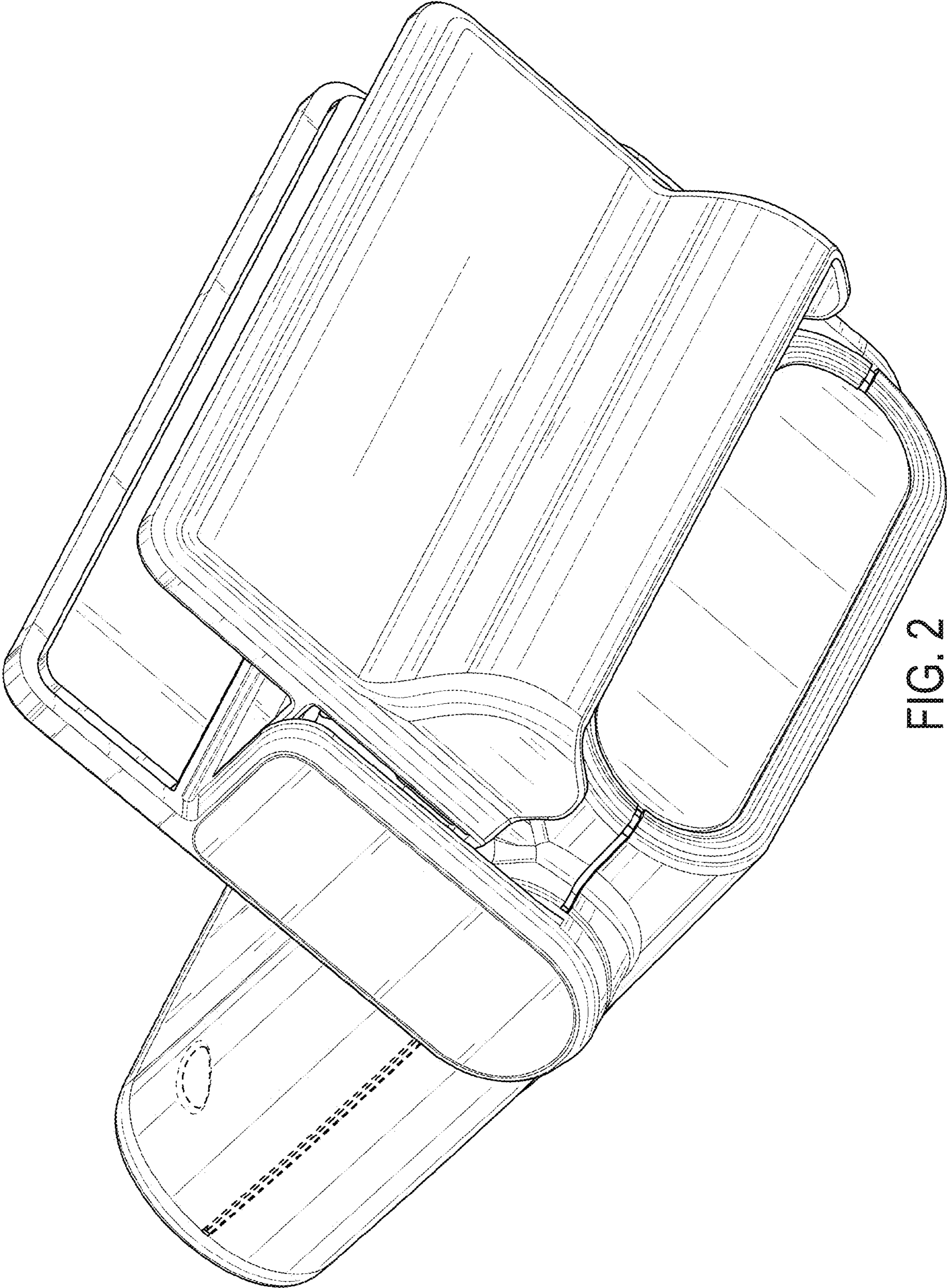


FIG. 2

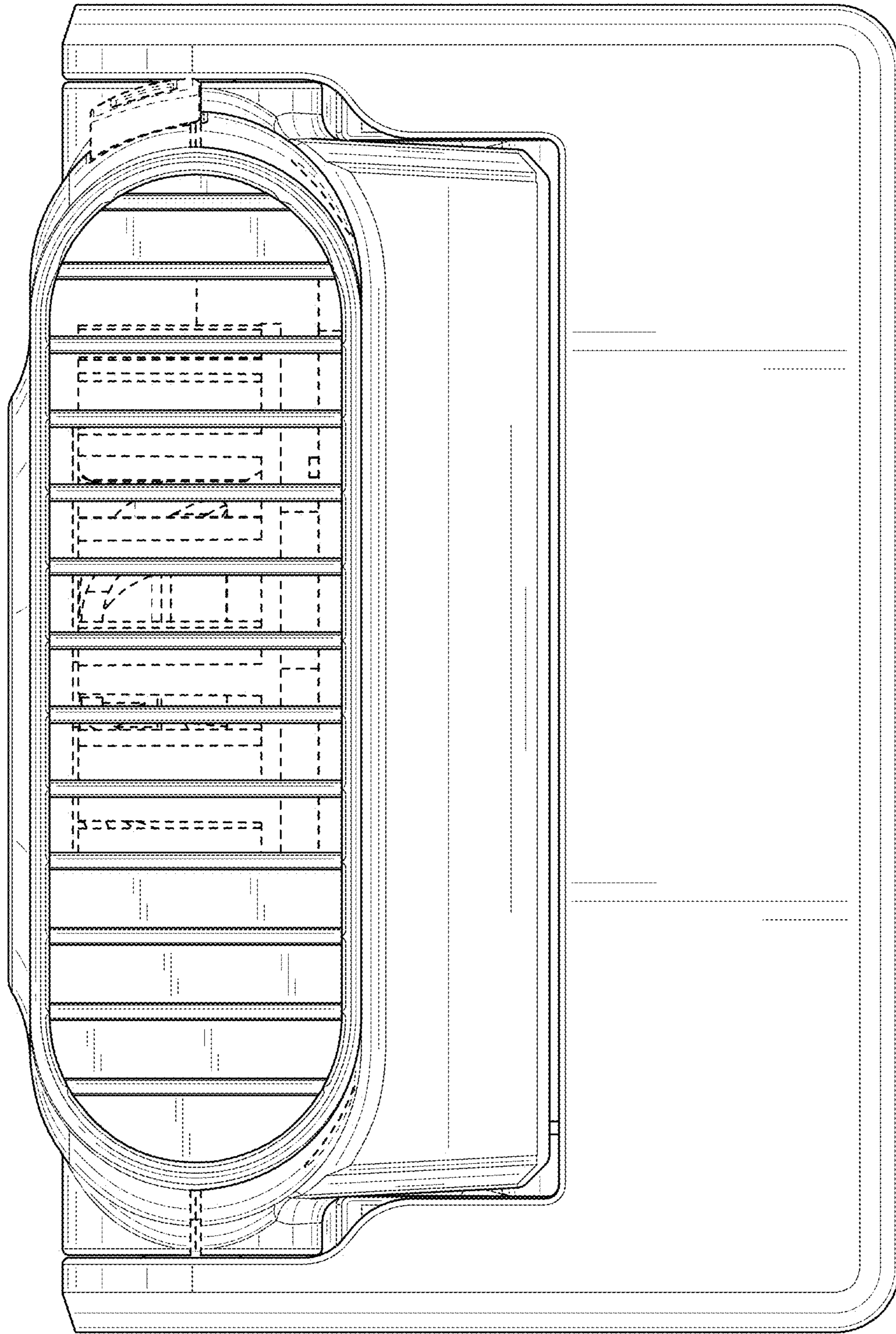


FIG. 3

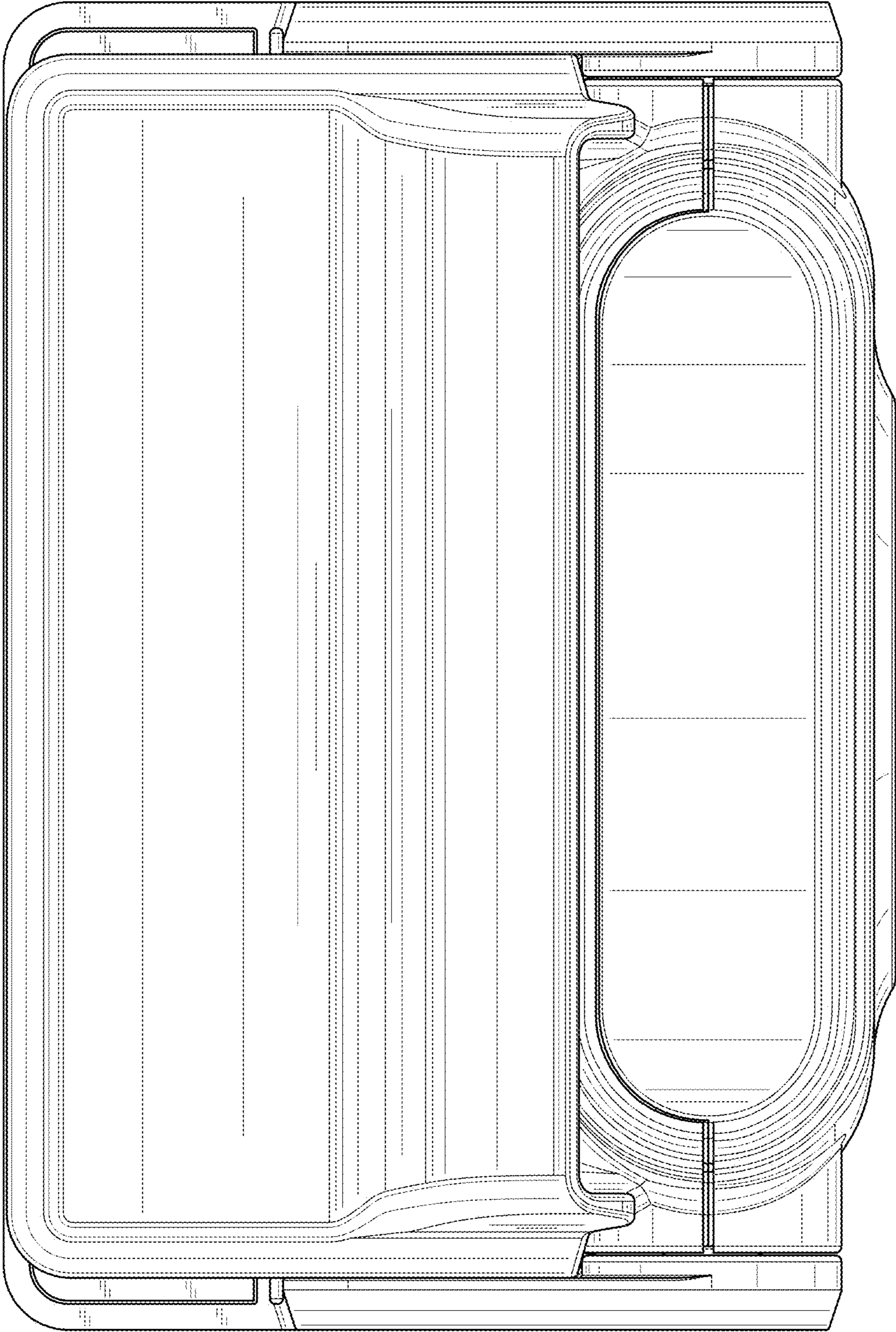


FIG. 4

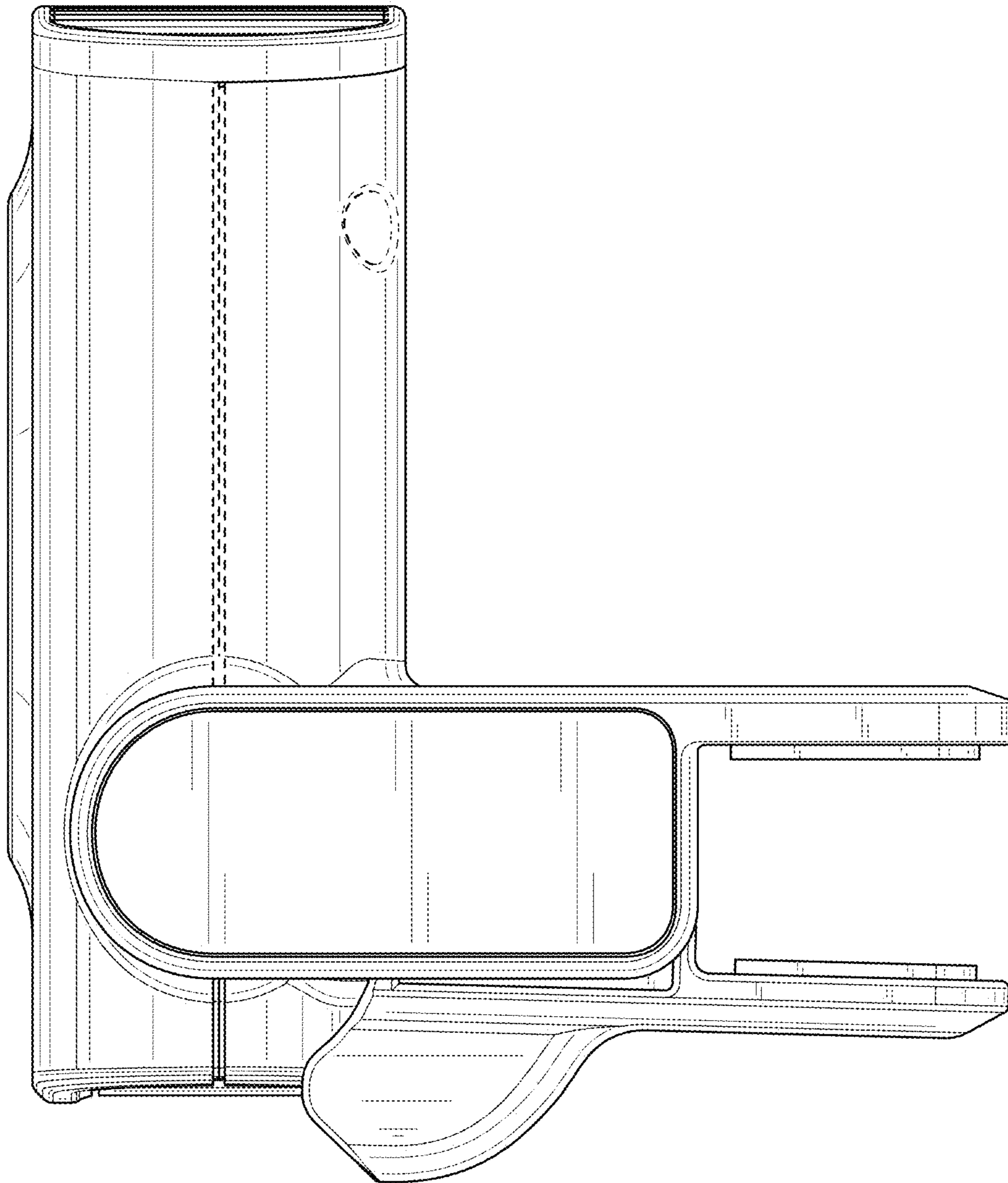


FIG. 5

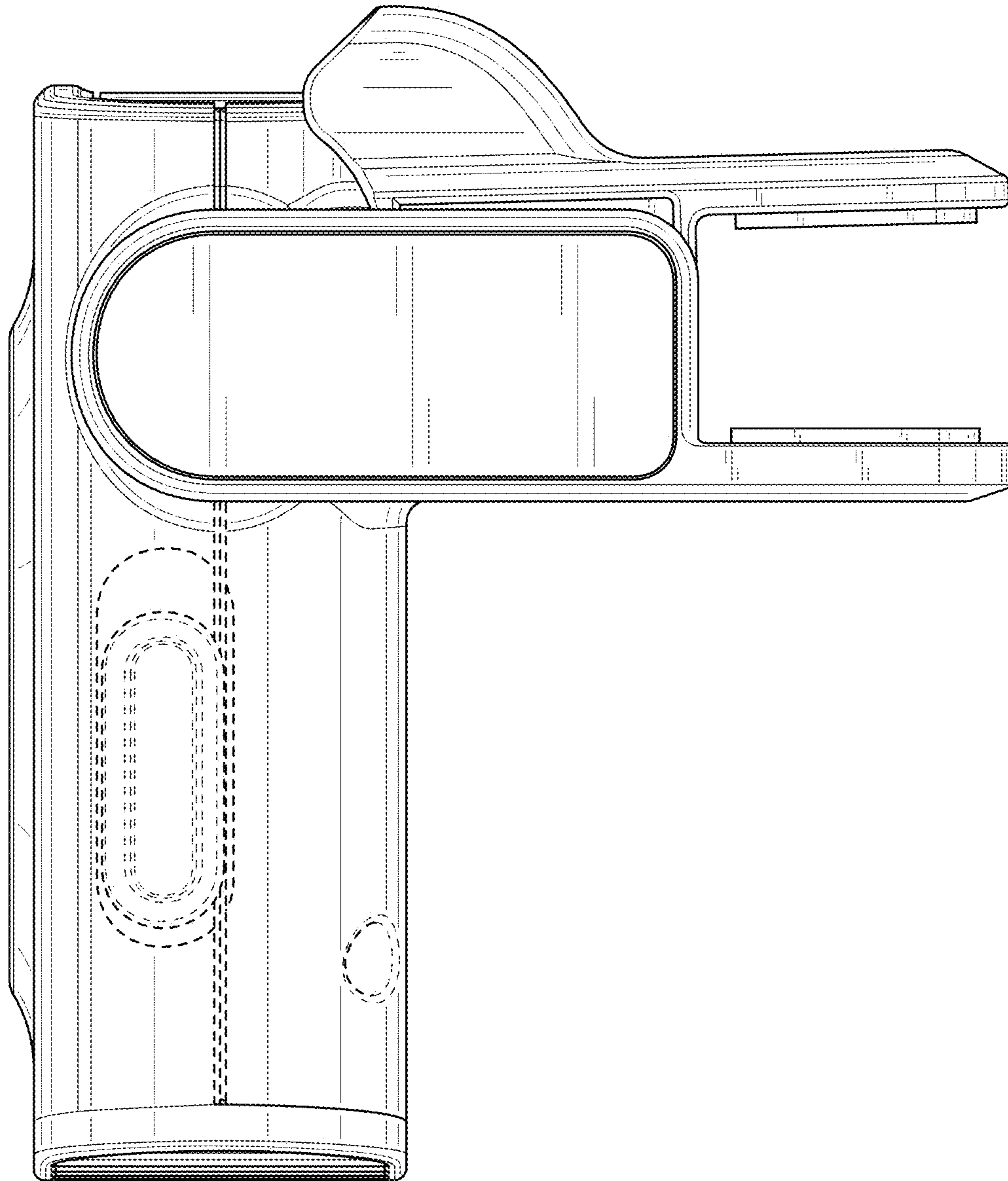


FIG. 6



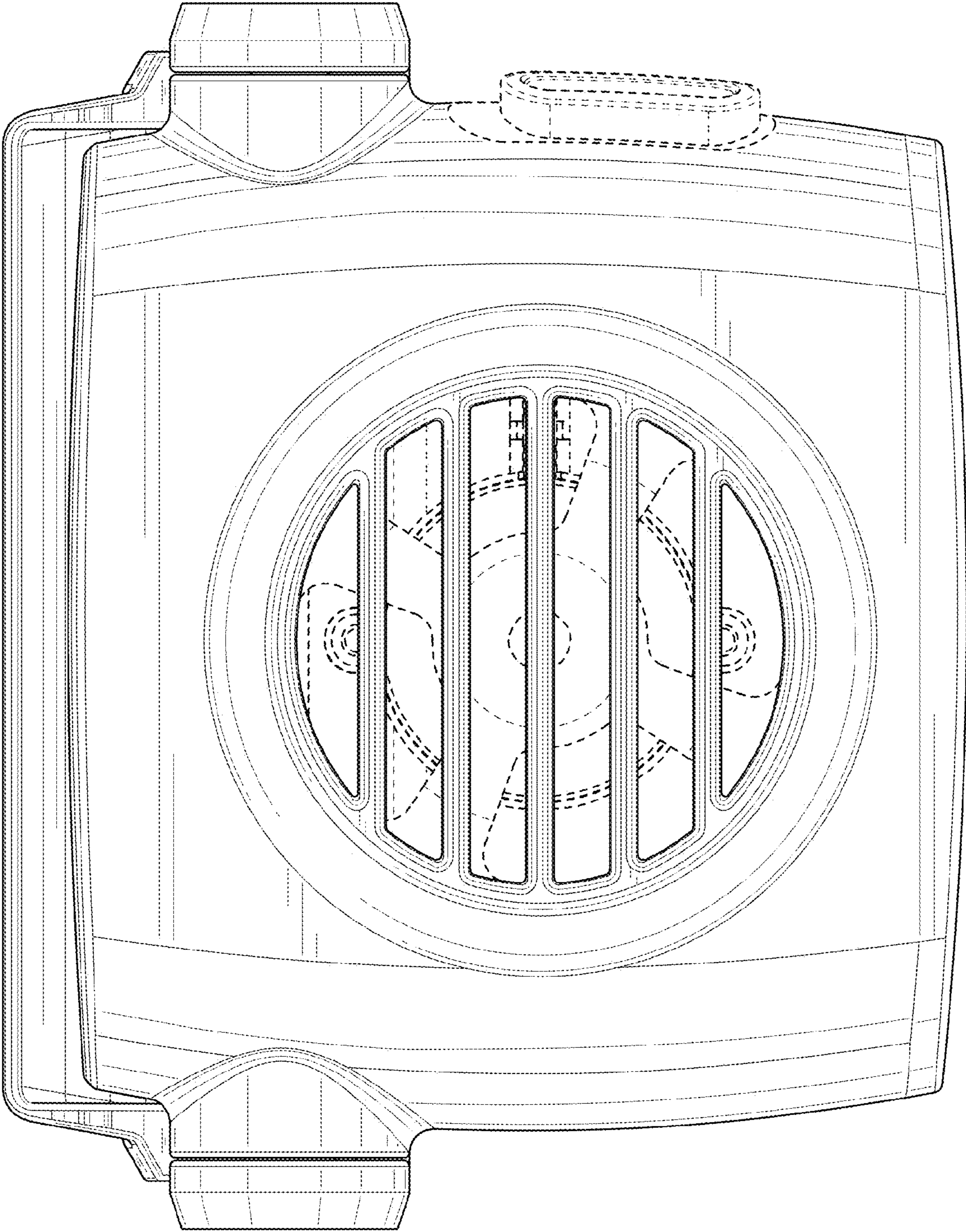


FIG. 7

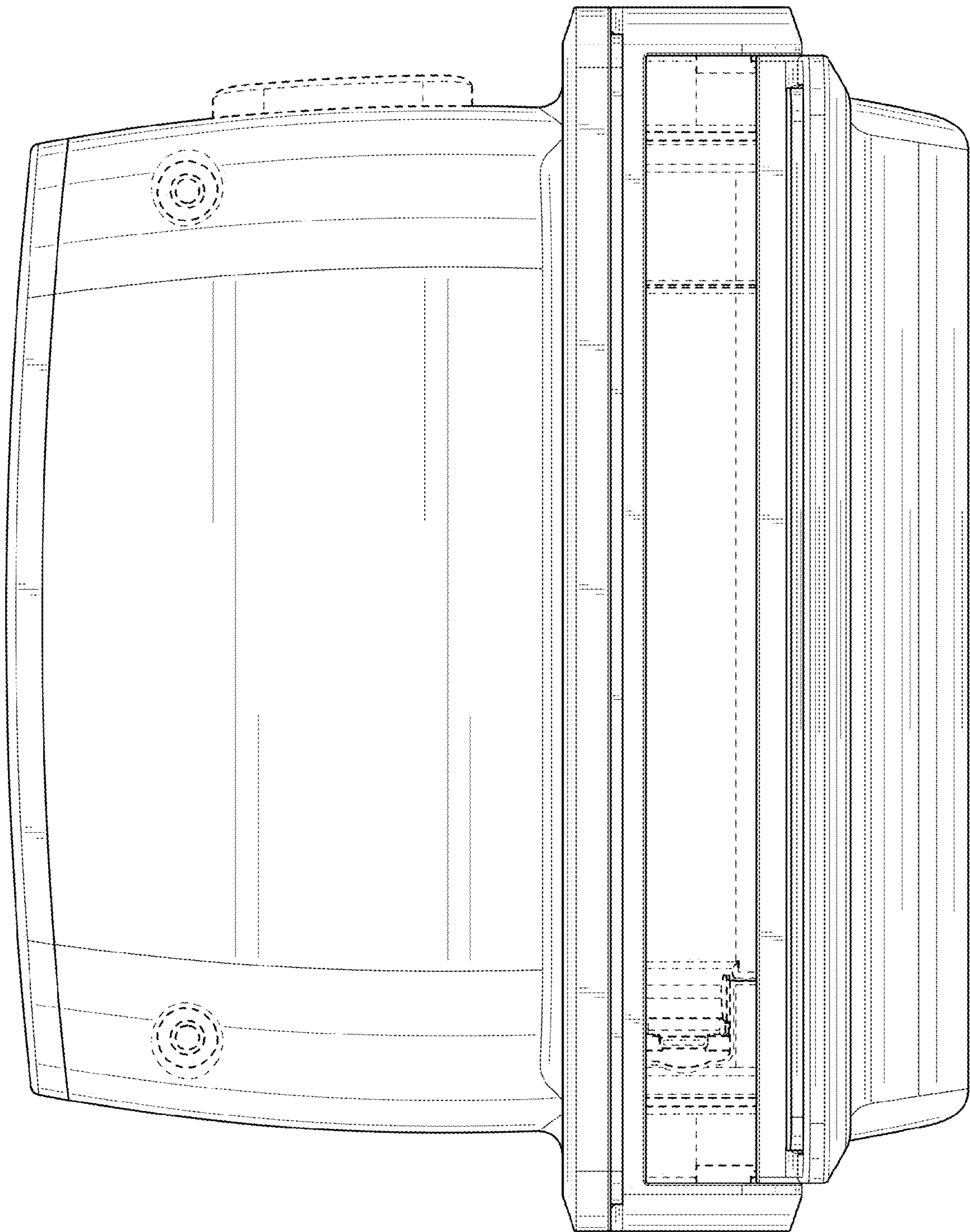


FIG. 8