



US00D906505S

(12) **United States Design Patent** (10) **Patent No.:** **US D906,505 S**
Vicondo Fontanella et al. (45) **Date of Patent:** **** Dec. 29, 2020**

(54) **DIFFUSING EVAPORATOR OF ACTIVE SUBSTANCES**
(71) Applicant: **ZOBELE HOLDING SPA**, Trento (IT)
(72) Inventors: **Juan Manuel Vicondo Fontanella**, Barcelona (ES); **Joaquim Llorente Alonso**, Barcelona (ES)

D594,950 S * 6/2009 Orihara D23/366
D610,666 S * 2/2010 Furner D23/366
D652,132 S * 1/2012 Orihara D23/366
D754,317 S * 4/2016 Yasuoka D23/366
D774,174 S * 12/2016 Chapman A61L 9/12
D23/370
D804,001 S * 11/2017 Cartwright D23/355
D834,167 S * 11/2018 Davis D23/366
2017/0319734 A1 * 11/2017 Deflorian A61L 9/12

(73) Assignee: **ZOBELE HOLDING SPA**

* cited by examiner

(**) Term: **15 Years**

Primary Examiner — Sheryl Lane

Assistant Examiner — Calvin E Vansant

(21) Appl. No.: **29/672,556**

(74) *Attorney, Agent, or Firm* — Ostrolenk Faber LLP

(22) Filed: **Dec. 6, 2018**

(57) **CLAIM**

(30) **Foreign Application Priority Data**

The ornamental design for a diffusing evaporator of active substances, as shown and described.

Jun. 8, 2018 (ES) 0528447-9

(51) **LOC (12) Cl.** **23-04**

(52) **U.S. Cl.**
USPC **D23/366**

DESCRIPTION

(58) **Field of Classification Search**
USPC D23/201, 208, 355–369, 386
CPC A61L 9/02; A61L 9/03; A61L 9/12; A61L 9/035; A61L 9/125
See application file for complete search history.

FIG. 1 is a front, top and left side perspective view illustration of a diffusing evaporator of active substances, according to an aspect of the new design; FIG. 2 is a front view illustration thereof; FIG. 3 is a bottom view illustration thereof; FIG. 4 is a left side view illustration thereof; FIG. 5 is a top view illustration thereof; and, FIG. 6 is a right side view illustration thereof.

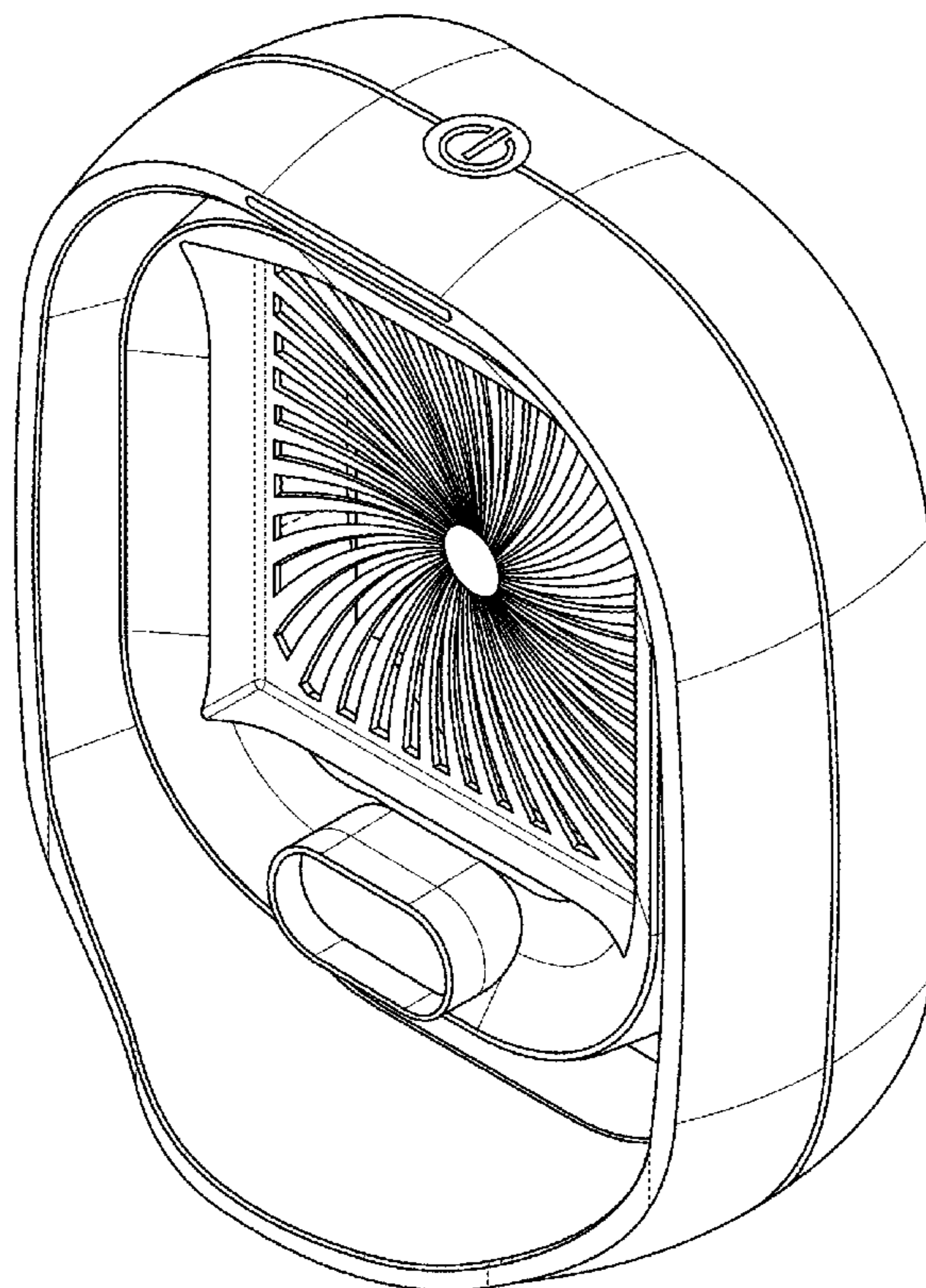
The dashed broken lines depict portions of the diffusing evaporator of active substances that form no part of the claimed design.

(56) **References Cited**

U.S. PATENT DOCUMENTS

D286,323 S * 10/1986 Haworth D23/366
D565,714 S * 4/2008 Wolff D23/359

1 Claim, 6 Drawing Sheets



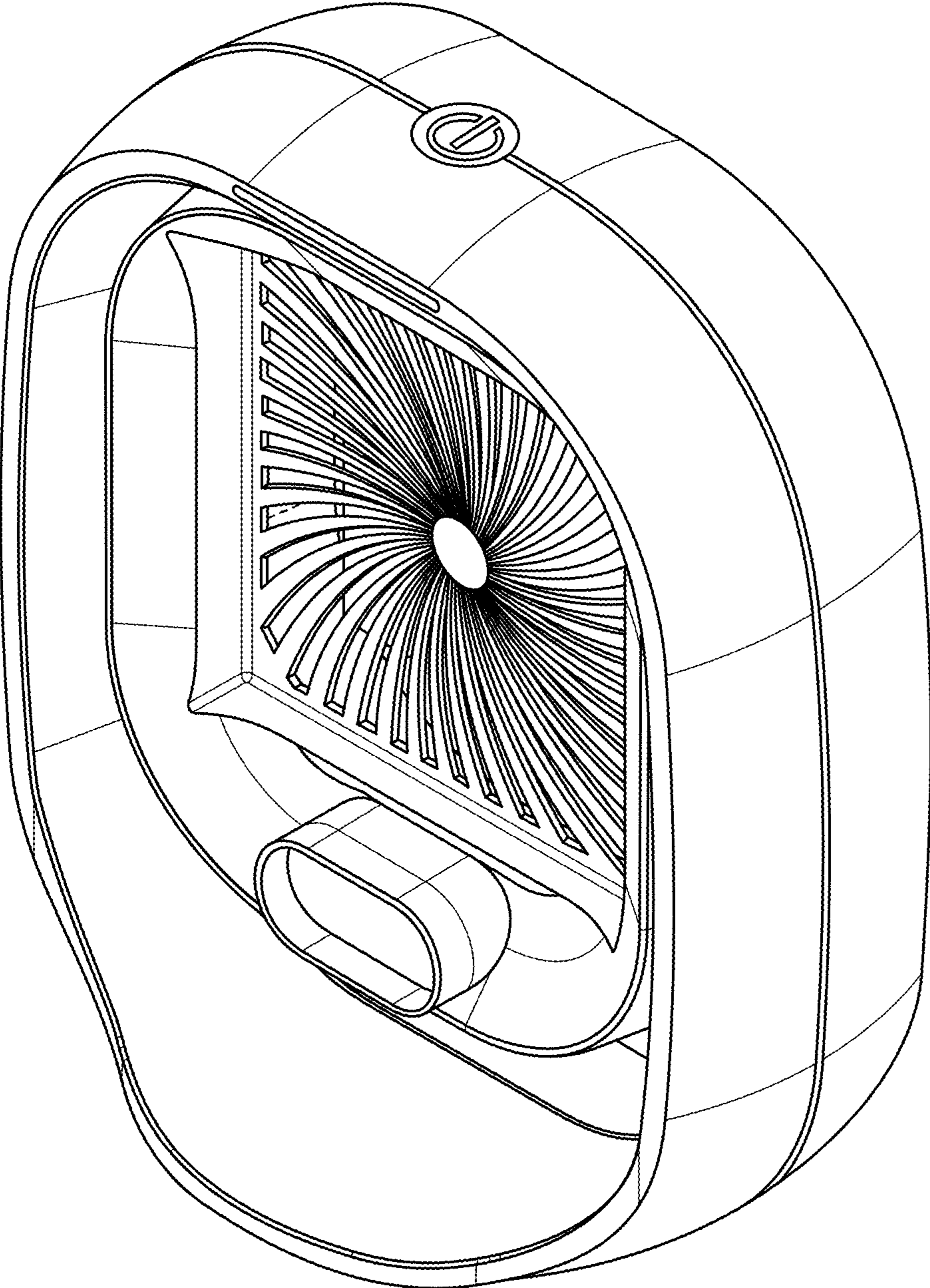


FIG. 1

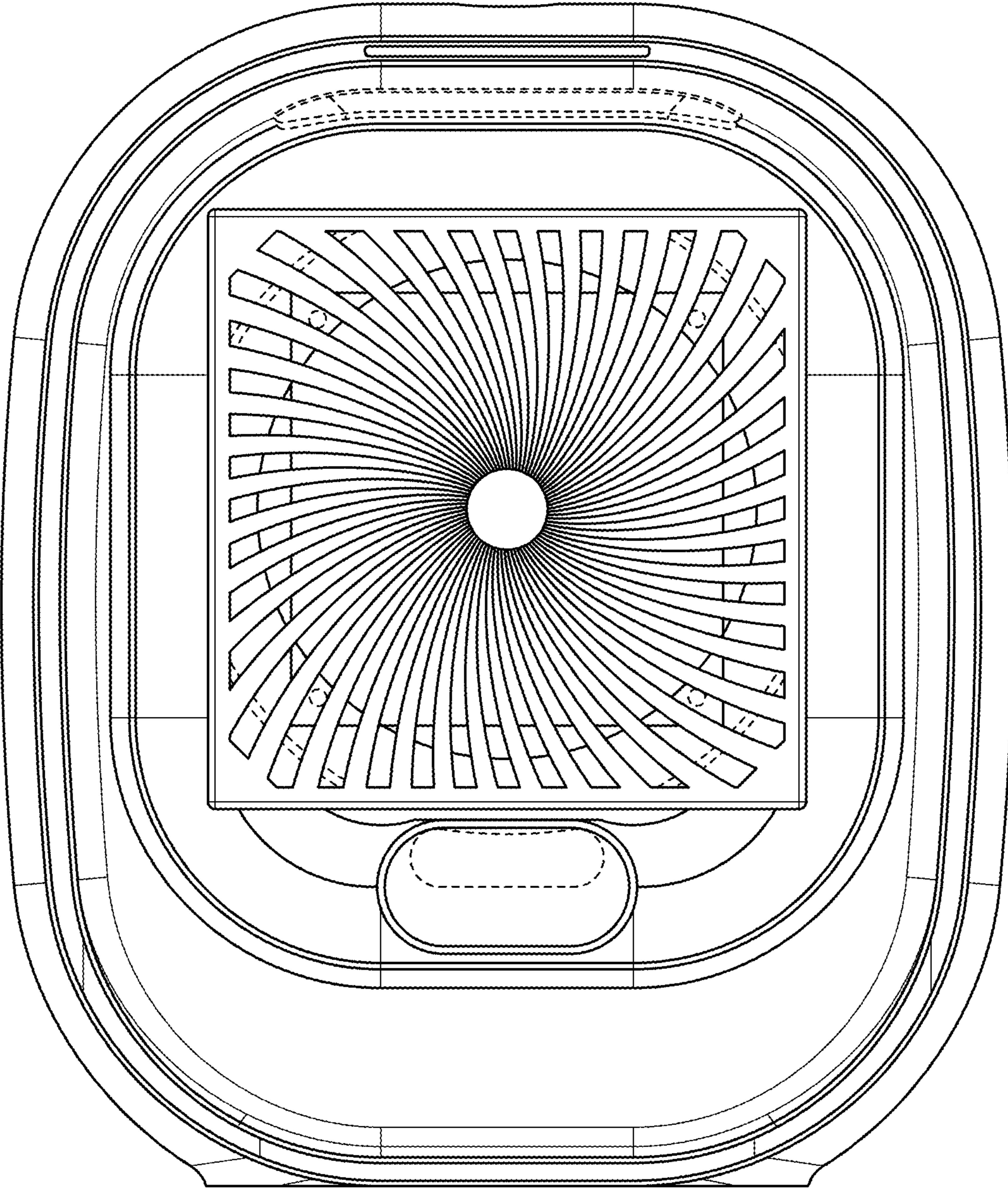


FIG. 2

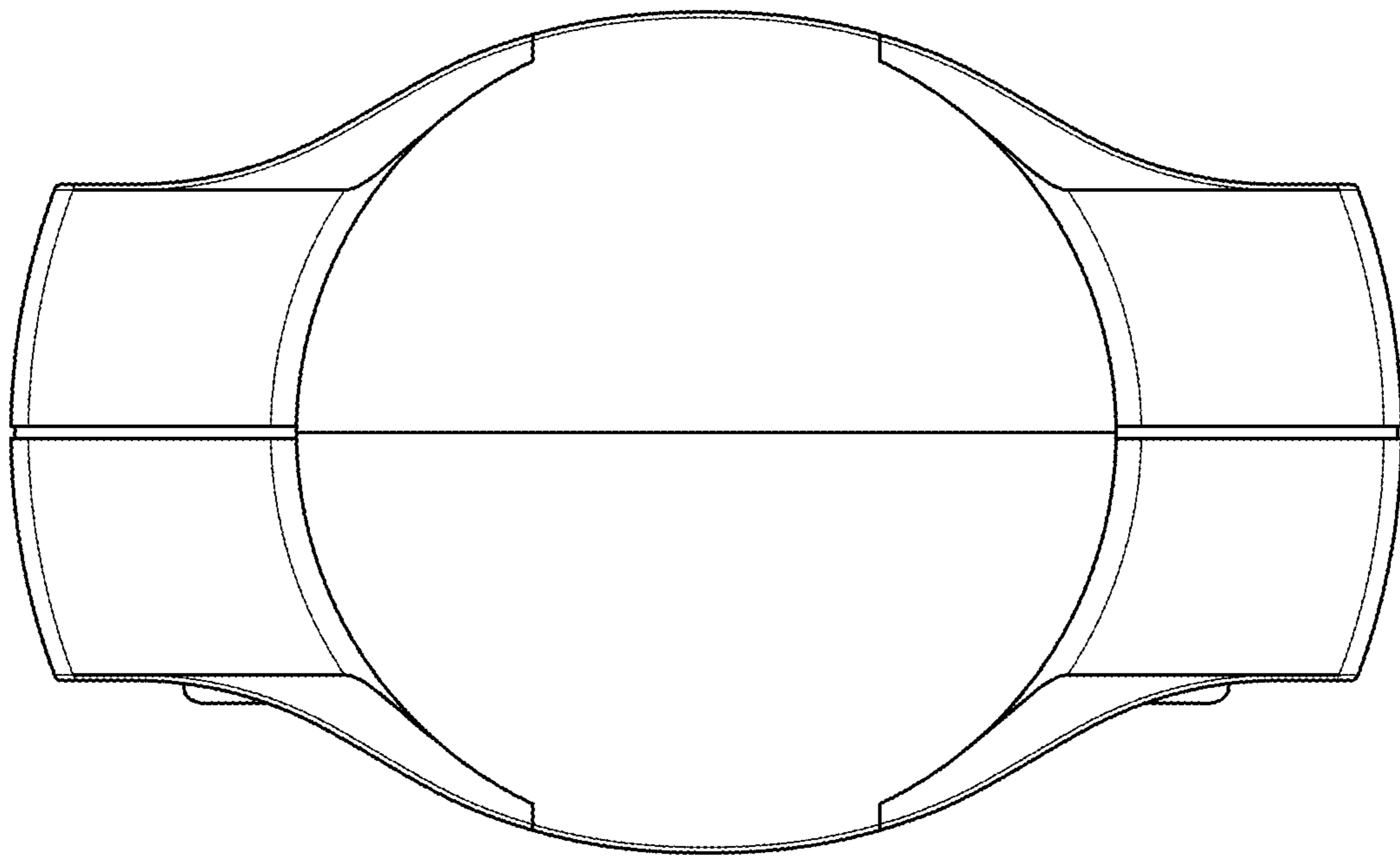


FIG. 3

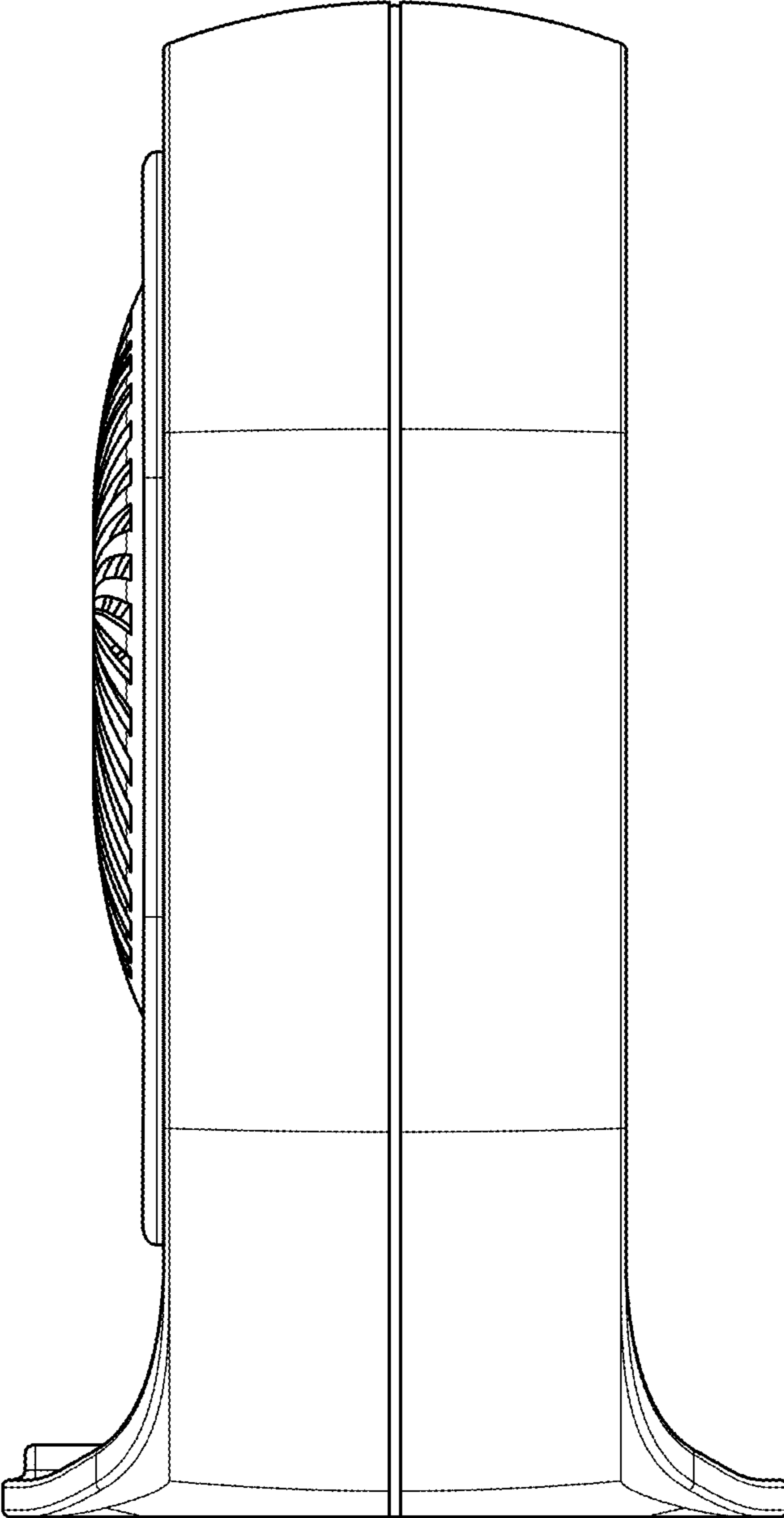


FIG. 4

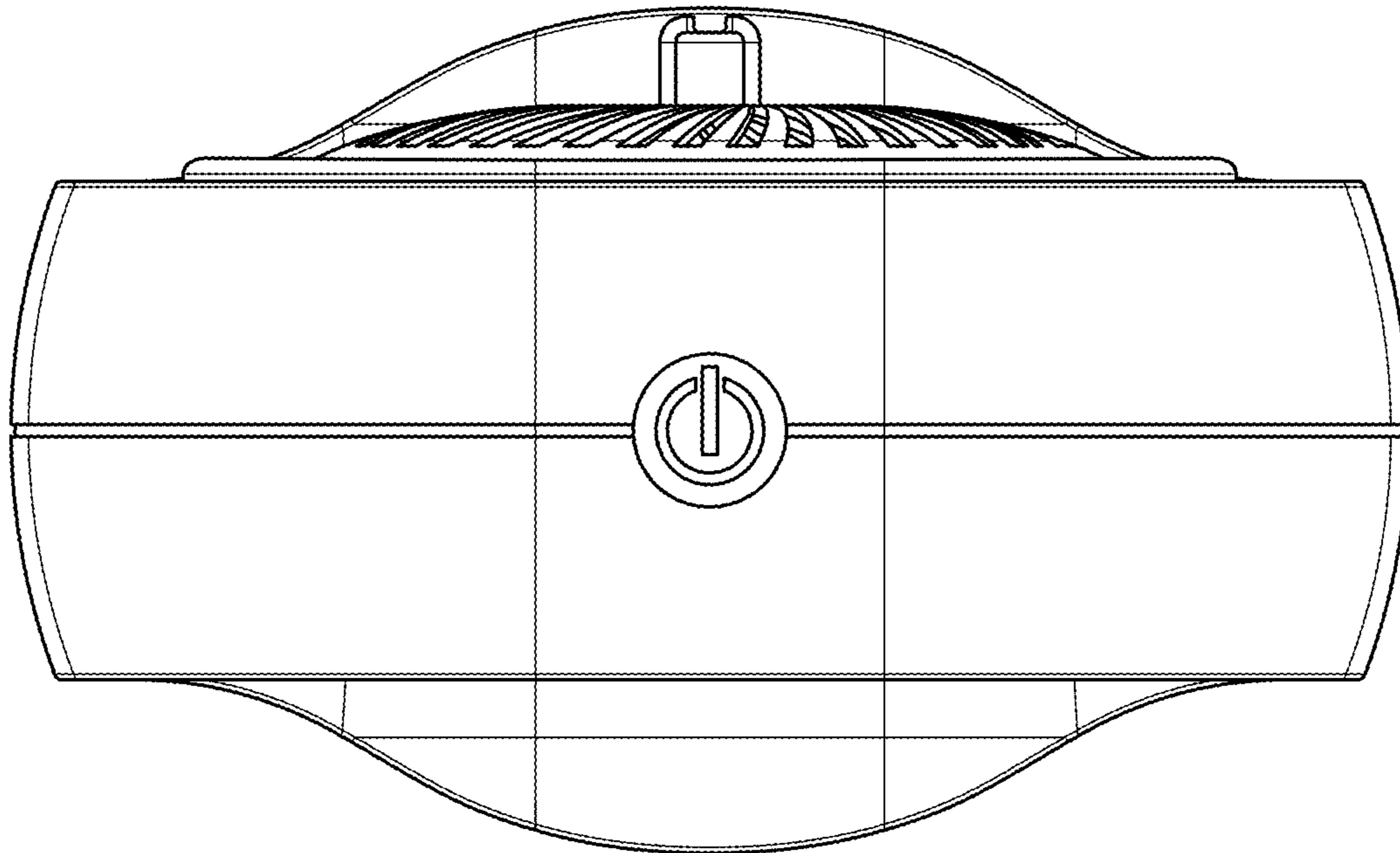


FIG. 5

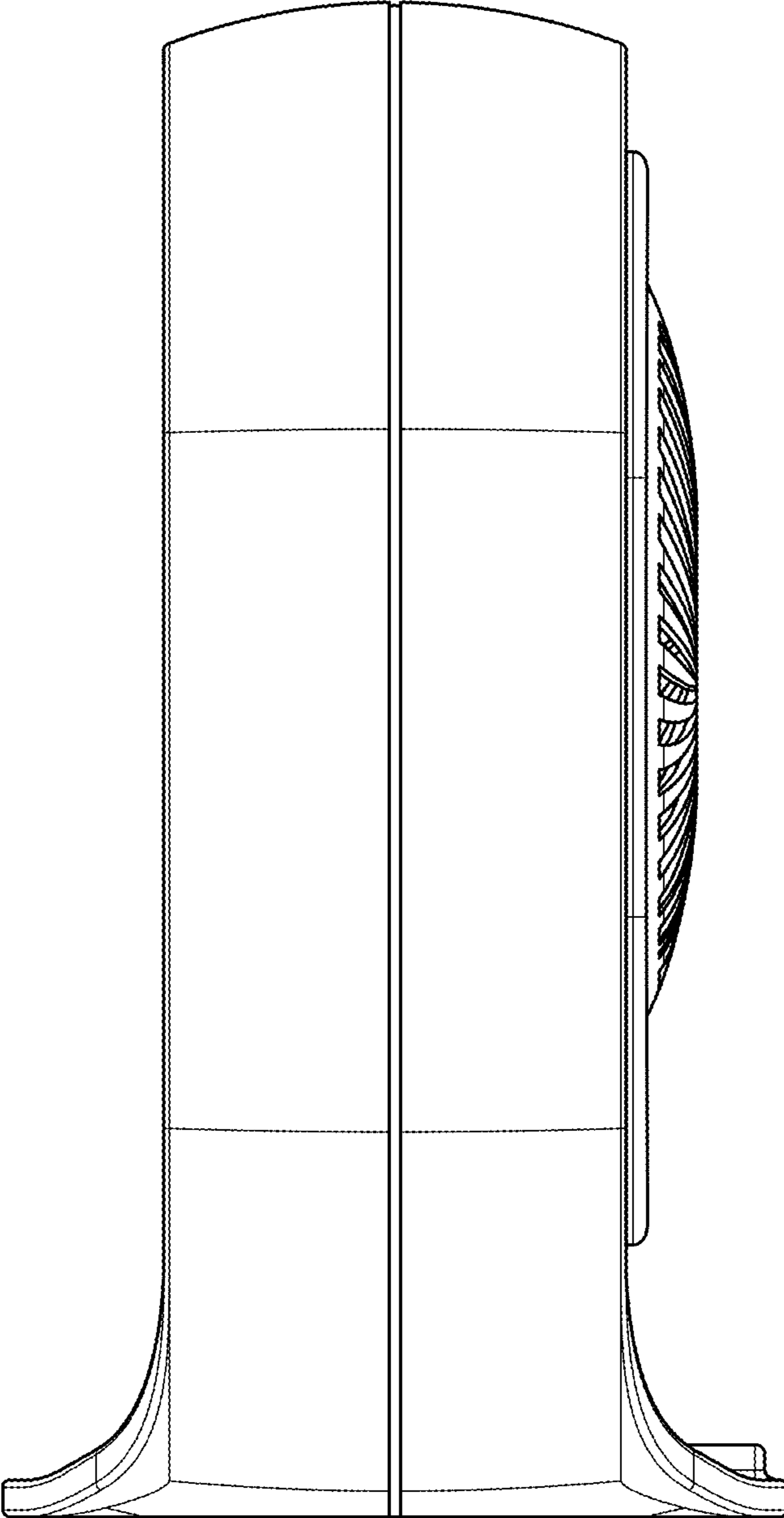


FIG. 6