

US00D906502S

(12) **United States Design Patent** (10) **Patent No.:** **US D906,502 S**
Lu (45) **Date of Patent:** **** Dec. 29, 2020**

(54) **AIR PURIFIER**

(71) Applicant: **Zhuhai Large Horse Electrical Appliance Co., Ltd., Zhuhai (CN)**

(72) Inventor: **Jing Lu, Zhuhai (CN)**

(73) Assignee: **Zhuhai Large Horse Electrical Appliance Co., Ltd., Zhuhai (CN)**

(**) Term: **15 Years**

(21) Appl. No.: **29/703,400**

(22) Filed: **Aug. 27, 2019**

(51) **LOC (12) Cl.** **23-04**

(52) **U.S. Cl.**
USPC **D23/364**

(58) **Field of Classification Search**
USPC D23/355-366, 352, 369, 332, 333, 335, D23/336, 342, 351; 422/120, 122; 55/356, 473, 504; 96/97; 261/DIG. 17, 261/DIG. 65, DIG. 88, DIG. 31
CPC .. A61L 9/16; A61L 9/22; B01D 47/00; B01D 47/027; B01D 2221/02; B01D 2259/4508; B03C 3/155; B03C 3/368; F24F 3/16; F24F 13/20; F24F 13/28; F24F 2001/0096

See application file for complete search history.

(56) **References Cited**

U.S. PATENT DOCUMENTS

D255,486 S * 6/1980 Bender D23/355
D361,828 S * 8/1995 Chen D23/332

D402,741 S * 12/1998 Chen D23/335
D616,377 S * 5/2010 Bussen D13/162.1
D651,300 S * 12/2011 Xu D23/342
D680,636 S * 4/2013 Ching D23/356
D696,760 S * 12/2013 Wolf, II D23/364
D838,824 S * 1/2019 Sun D23/364
D884,864 S * 5/2020 Sun D23/364
D886,270 S * 6/2020 Walton D23/359
D887,982 S * 6/2020 Schmidt D13/122
2011/0165018 A1 * 7/2011 Lynn A61K 8/22
422/4
2017/0015556 A1 * 1/2017 Hart C01B 13/11

* cited by examiner

Primary Examiner — David G Muller

(74) *Attorney, Agent, or Firm* — ScienBiziP, P.C.

(57) **CLAIM**

The ornamental design for an air purifier, as shown and described.

DESCRIPTION

FIG. 1 is a first perspective view of an air purifier, showing my design.

FIG. 2 is a second perspective view thereof.

FIG. 3 is a front elevation view thereof.

FIG. 4 is a rear elevation view thereof.

FIG. 5 is a left side elevation view thereof.

FIG. 6 is a right side elevation view thereof.

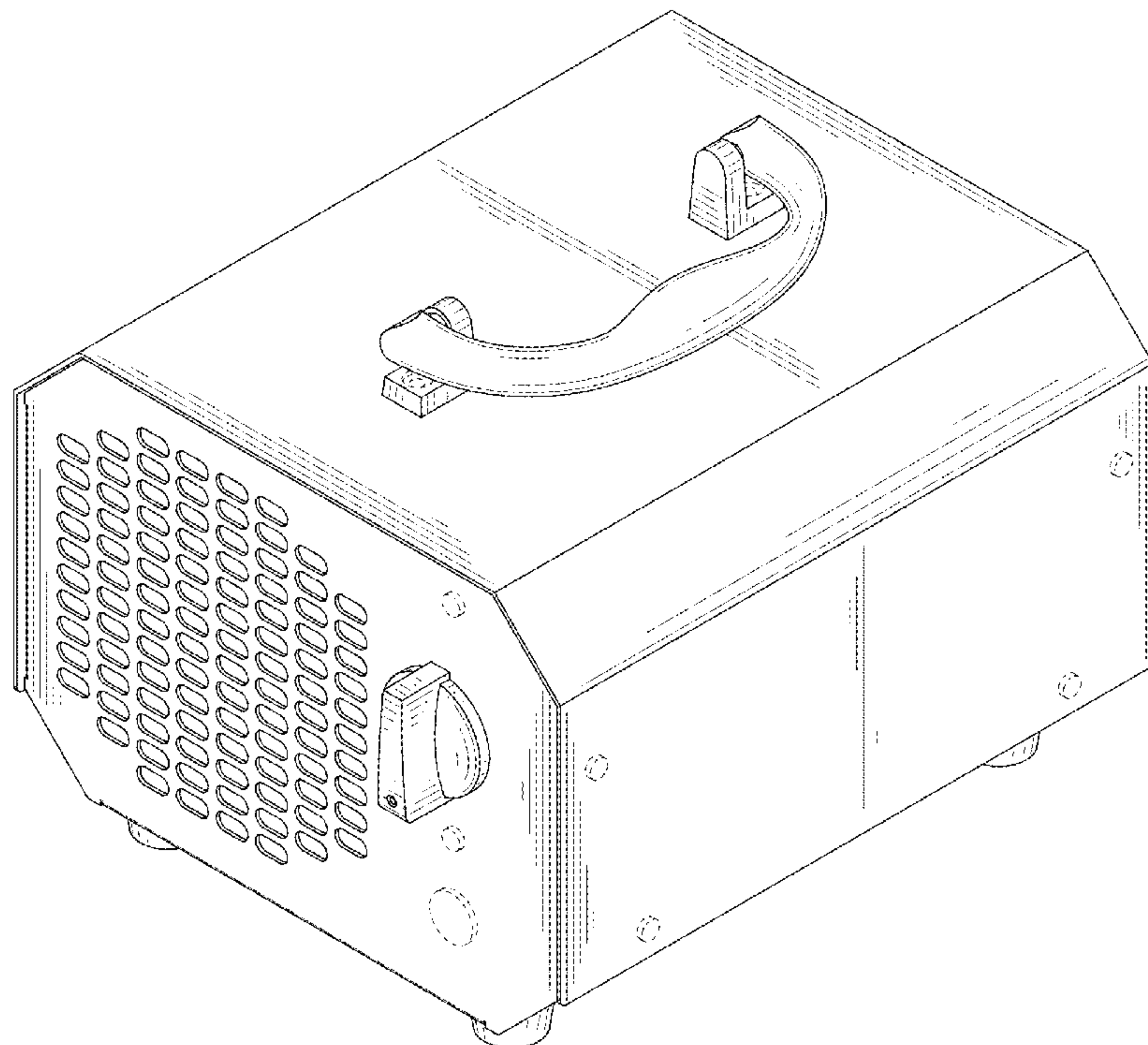
FIG. 7 is a top plan view thereof.

FIG. 8 is a bottom plan view thereof; and,

FIG. 9 is an enlarged view of an area labeled 9 in FIG. 2 of the air purifier.

The details shown in broken lines form no part of the claimed design.

1 Claim, 9 Drawing Sheets



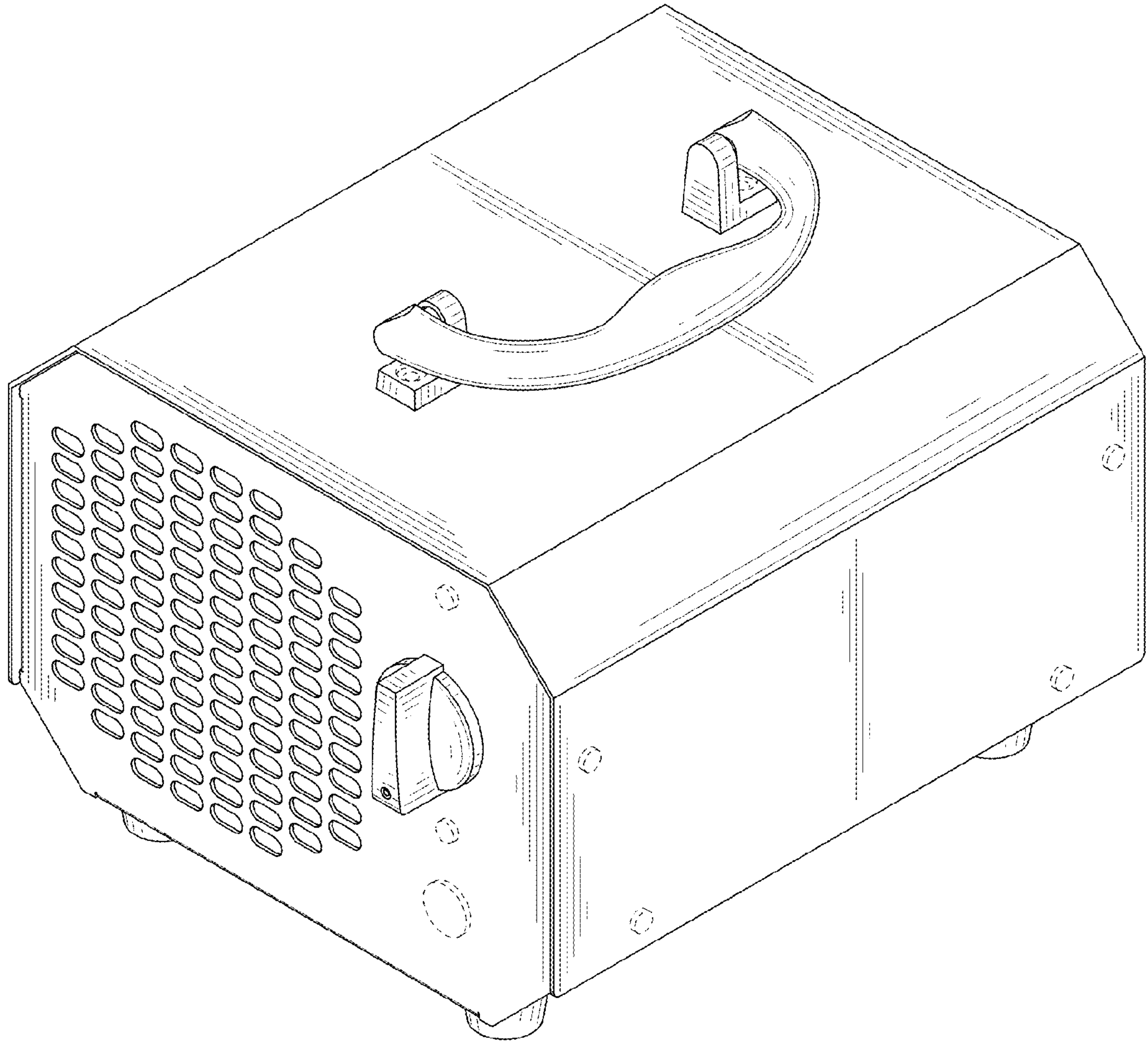


FIG. 1

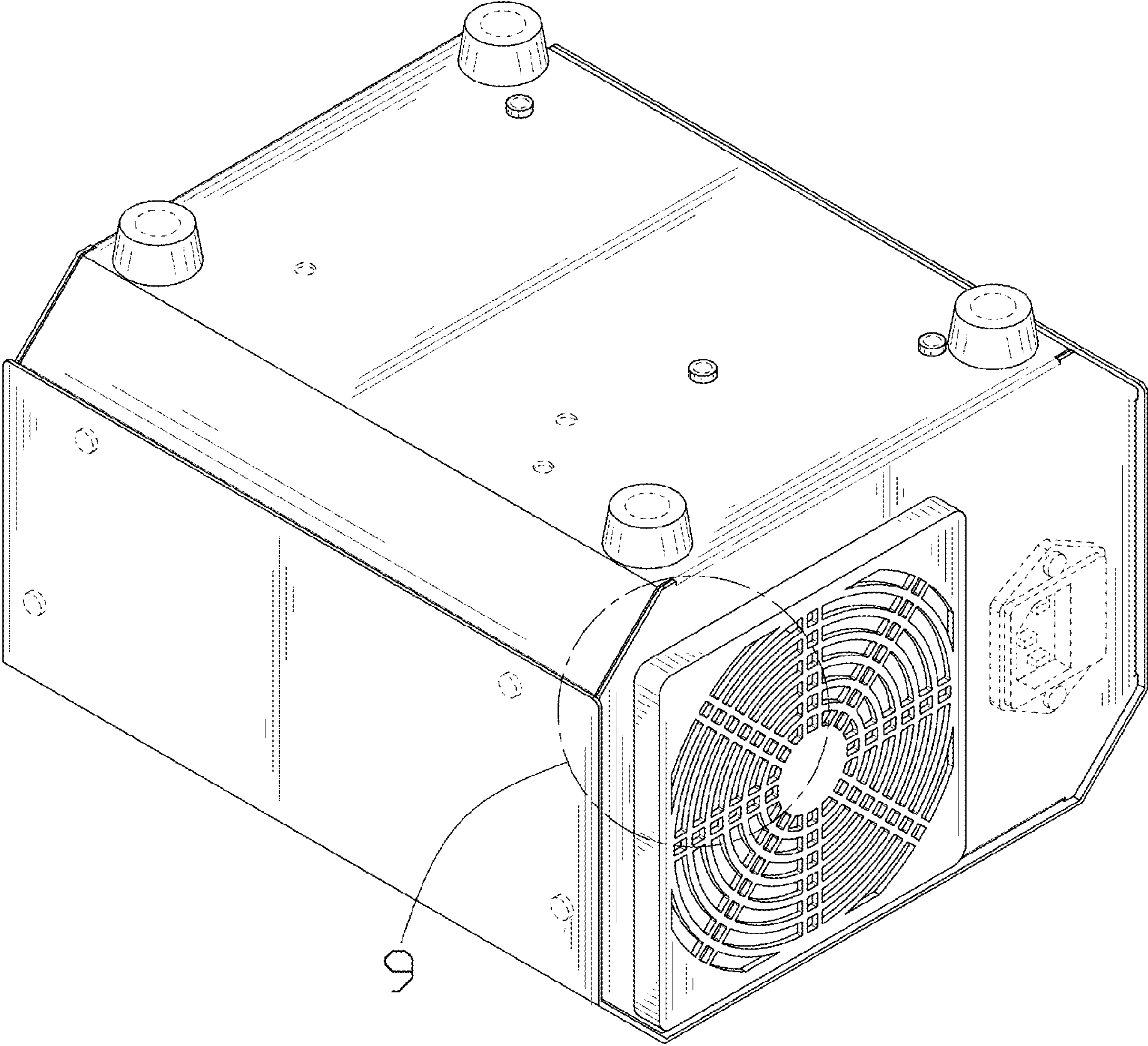


FIG. 2

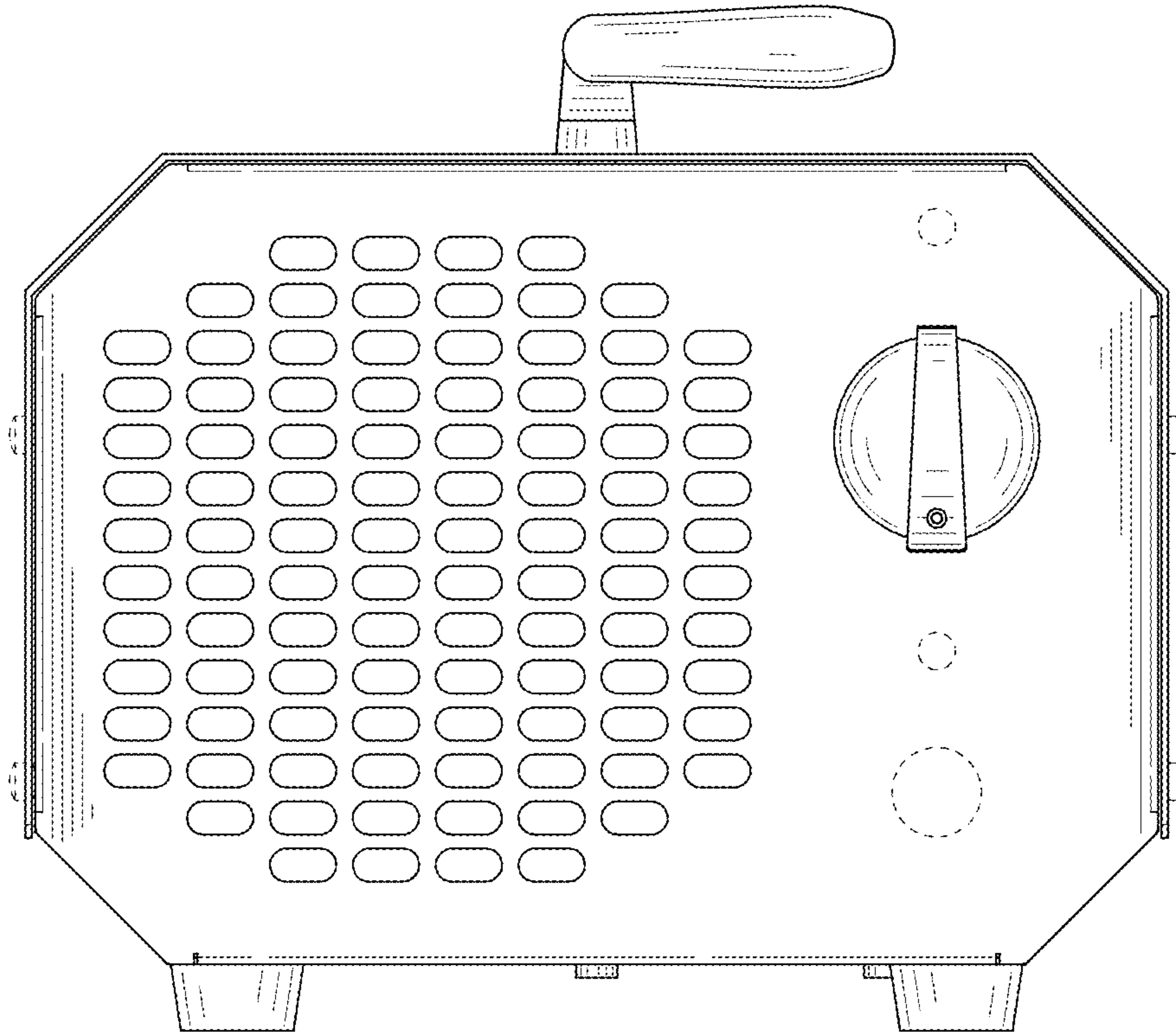


FIG. 3

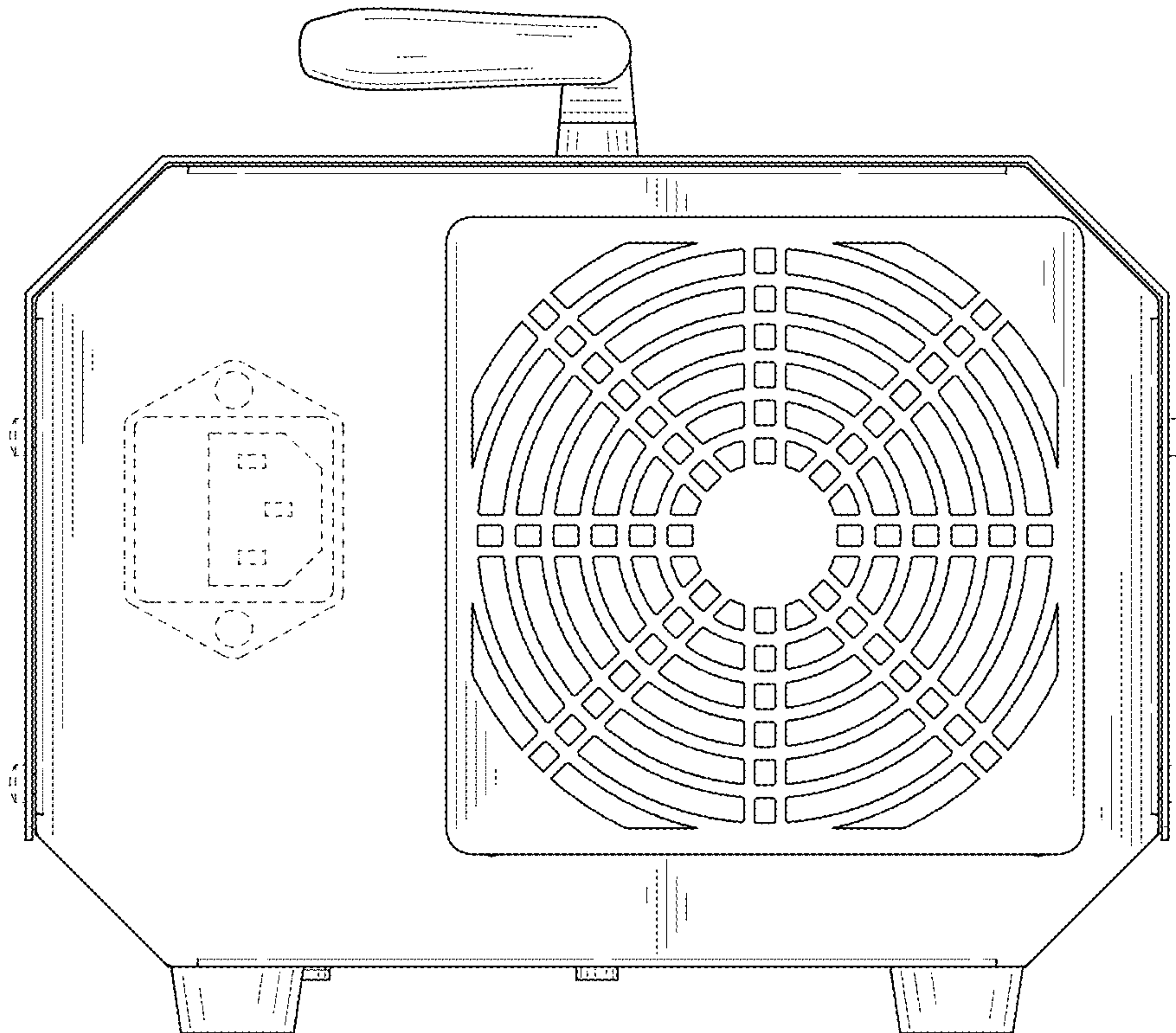


FIG. 4

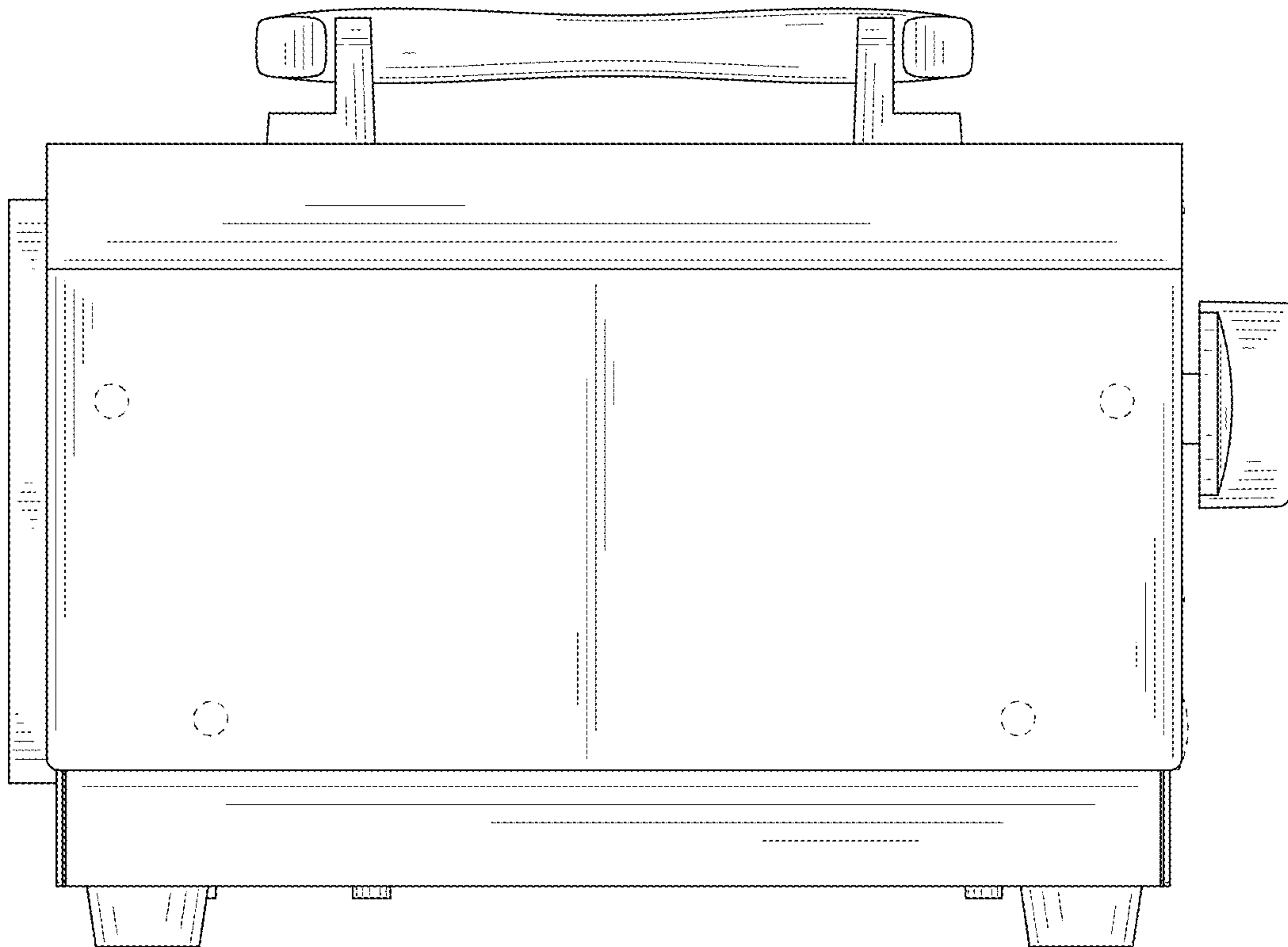


FIG. 5

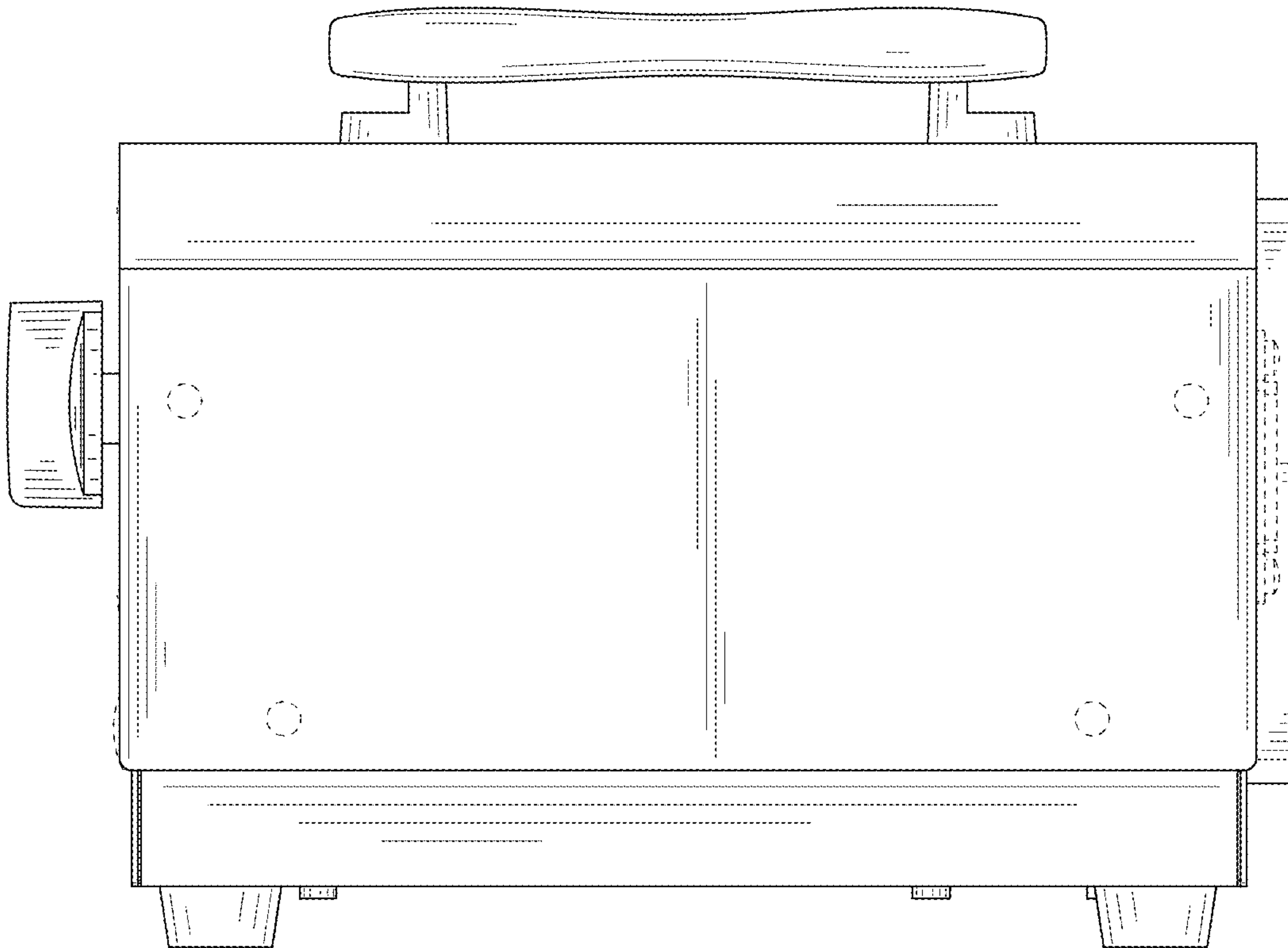


FIG. 6

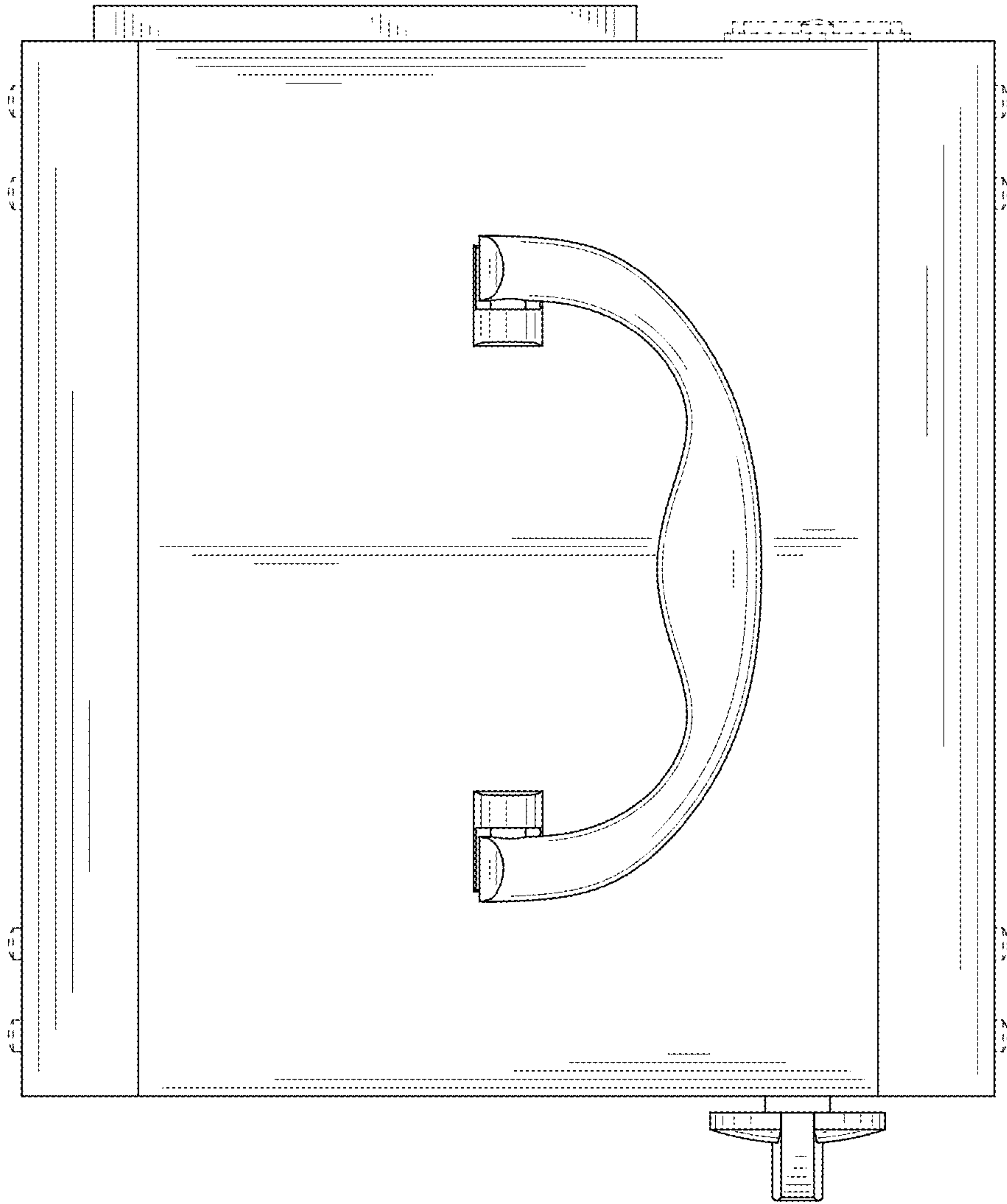


FIG. 7

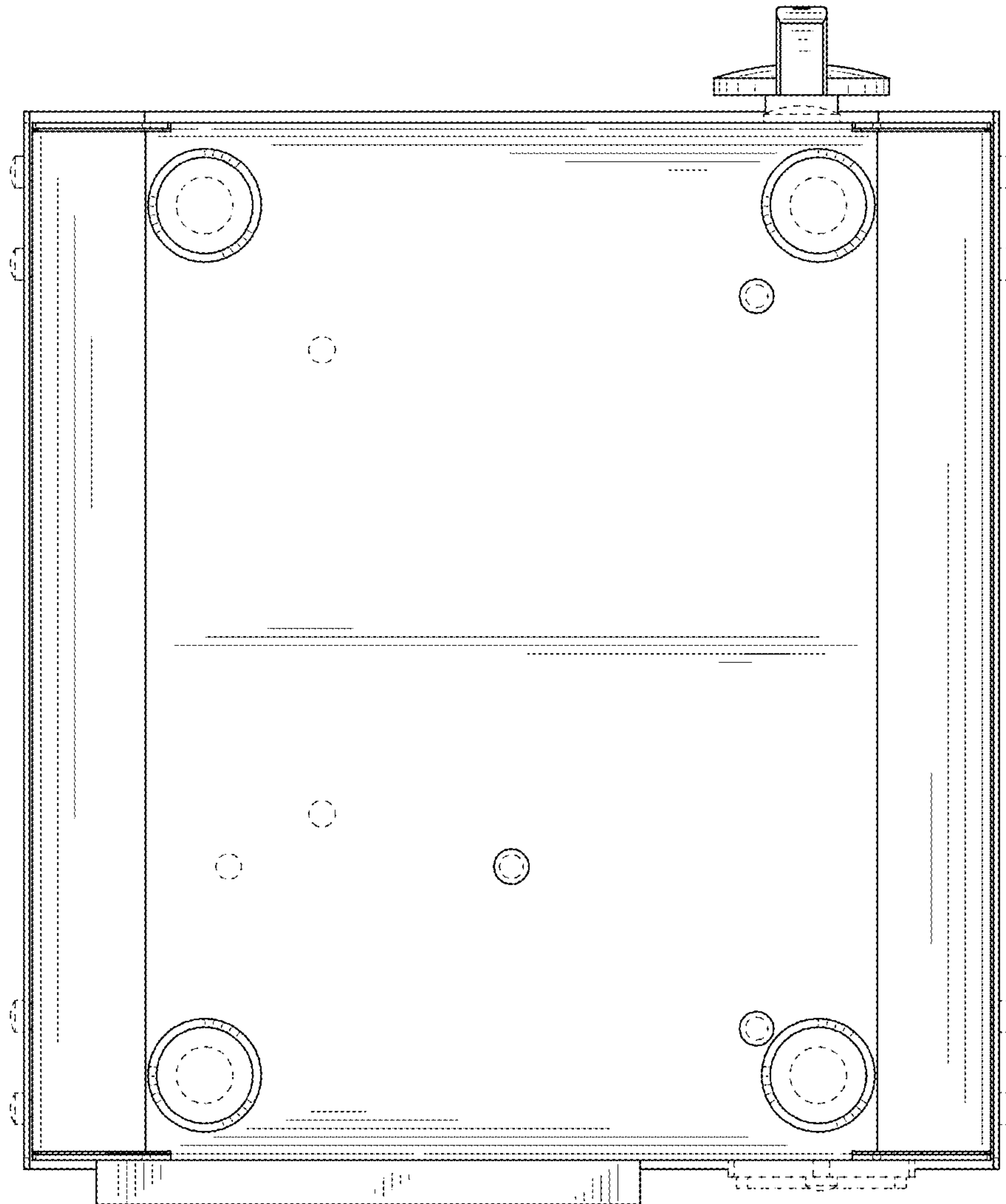


FIG. 8

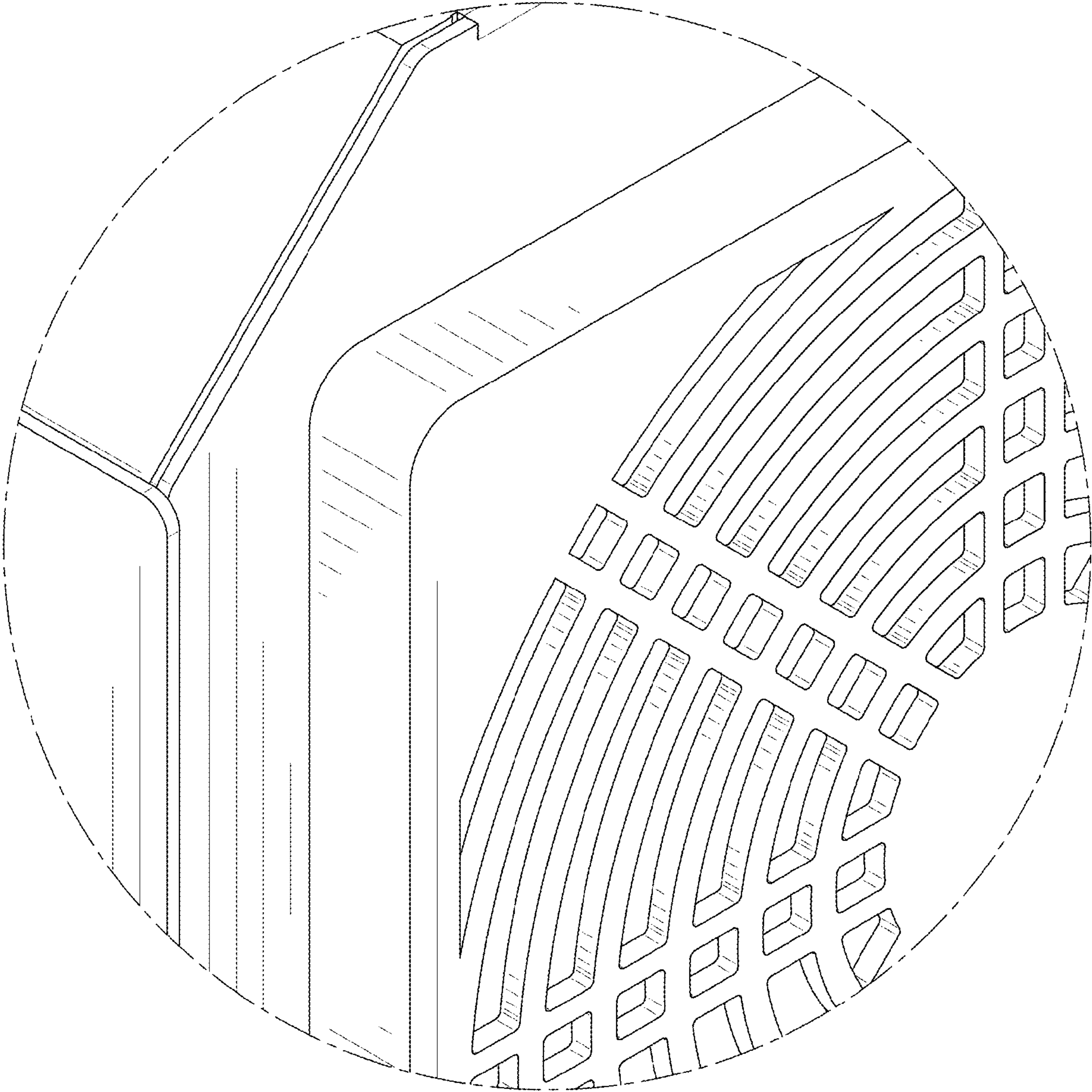


FIG. 9