



US00D906501S

(12) **United States Design Patent**
Lim

(10) **Patent No.:** **US D906,501 S**

(45) **Date of Patent:** **** Dec. 29, 2020**

(54) **AIR PURIFIER**

(71) Applicant: **Ken Lim**, Guangdong (CN)

(72) Inventor: **Ken Lim**, Guangdong (CN)

(**) Term: **15 Years**

(21) Appl. No.: **29/695,541**

(22) Filed: **Jun. 20, 2019**

(51) **LOC (12) Cl.** **23-04**

(52) **U.S. Cl.**
USPC **D23/364**

(58) **Field of Classification Search**
USPC D23/355-366, 352, 369, 332, 333, 335,
D23/336, 342, 351; 422/120, 122;
55/356, 473, 504; 96/97; D14/188, 170,
D14/171, 172; D18/34.6
CPC .. A61L 9/16; A61L 9/22; B01D 47/00; B01D
47/027; B01D 2221/02; B01D 2259/4508;
B03C 3/155; B03C 3/368; F24F 3/16;
F24F 13/20; F24F 13/28; F24F
2001/0096

See application file for complete search history.

(56) **References Cited**

U.S. PATENT DOCUMENTS

D755,942 S * 5/2016 Kim D23/364
D835,765 S * 12/2018 Chen D23/364

D852,344 S * 6/2019 Hua D23/364
D882,056 S * 4/2020 Baillie D23/364
D884,138 S * 5/2020 Chen D23/366
D886,272 S * 6/2020 Yang D23/364
D886,975 S * 6/2020 Yang D23/364
D888,923 S * 6/2020 Zhong D23/364
D890,905 S * 7/2020 Farone D23/364

* cited by examiner

Primary Examiner — David G Muller

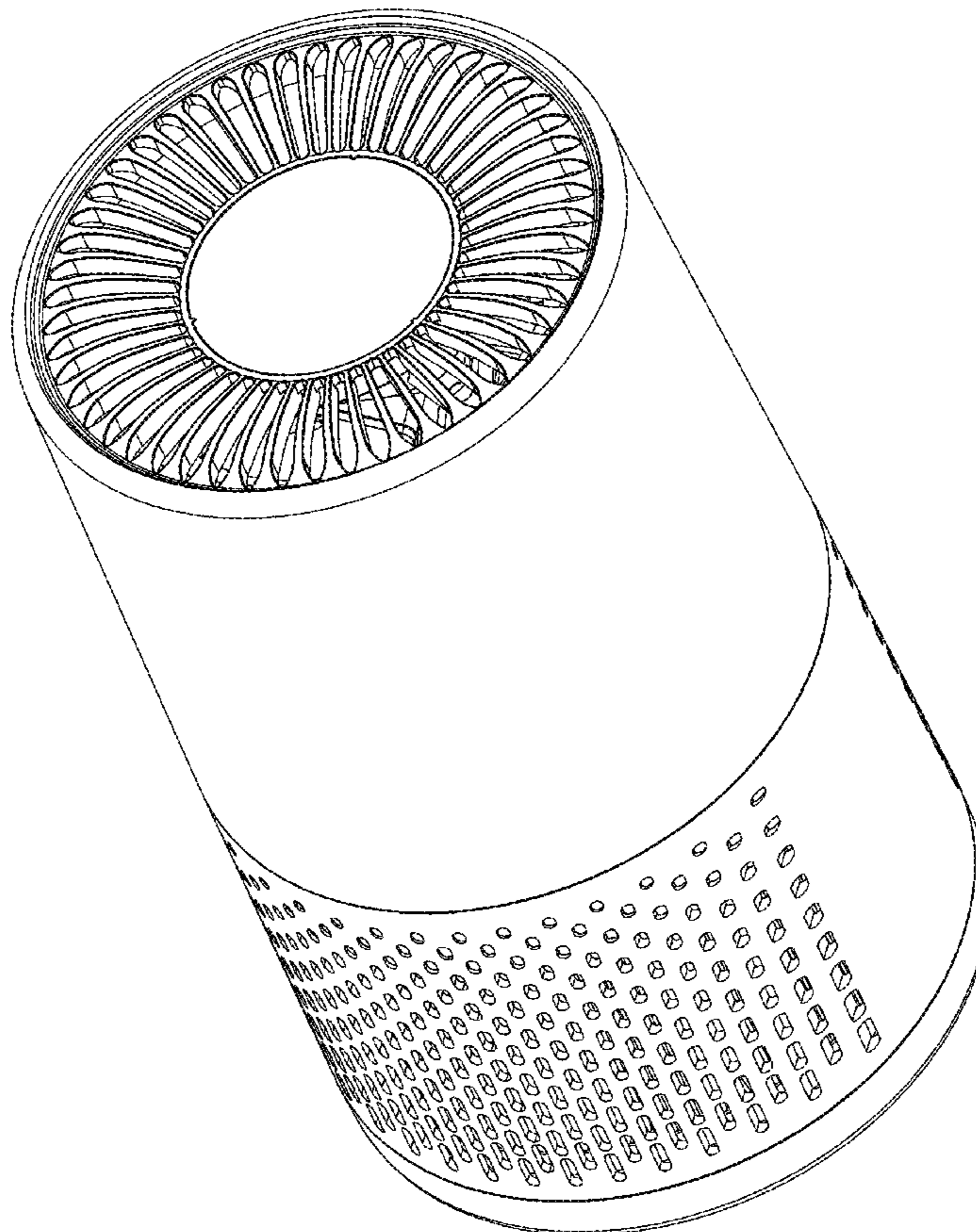
(57) **CLAIM**

The ornamental design for an air purifier, as shown and described.

DESCRIPTION

FIG. 1 is a perspective view of an air purifier showing my new design;
FIG. 2 is a front elevation view thereof;
FIG. 3 is a rear elevation view thereof;
FIG. 4 is a left side elevation view thereof;
FIG. 5 is a right side elevation view thereof;
FIG. 6 is a top plan view thereof; and,
FIG. 7 is a bottom plan view thereof.
The broken lines are included for the purpose of illustrating portions of the air purifier that form no part of the claimed design.

1 Claim, 6 Drawing Sheets



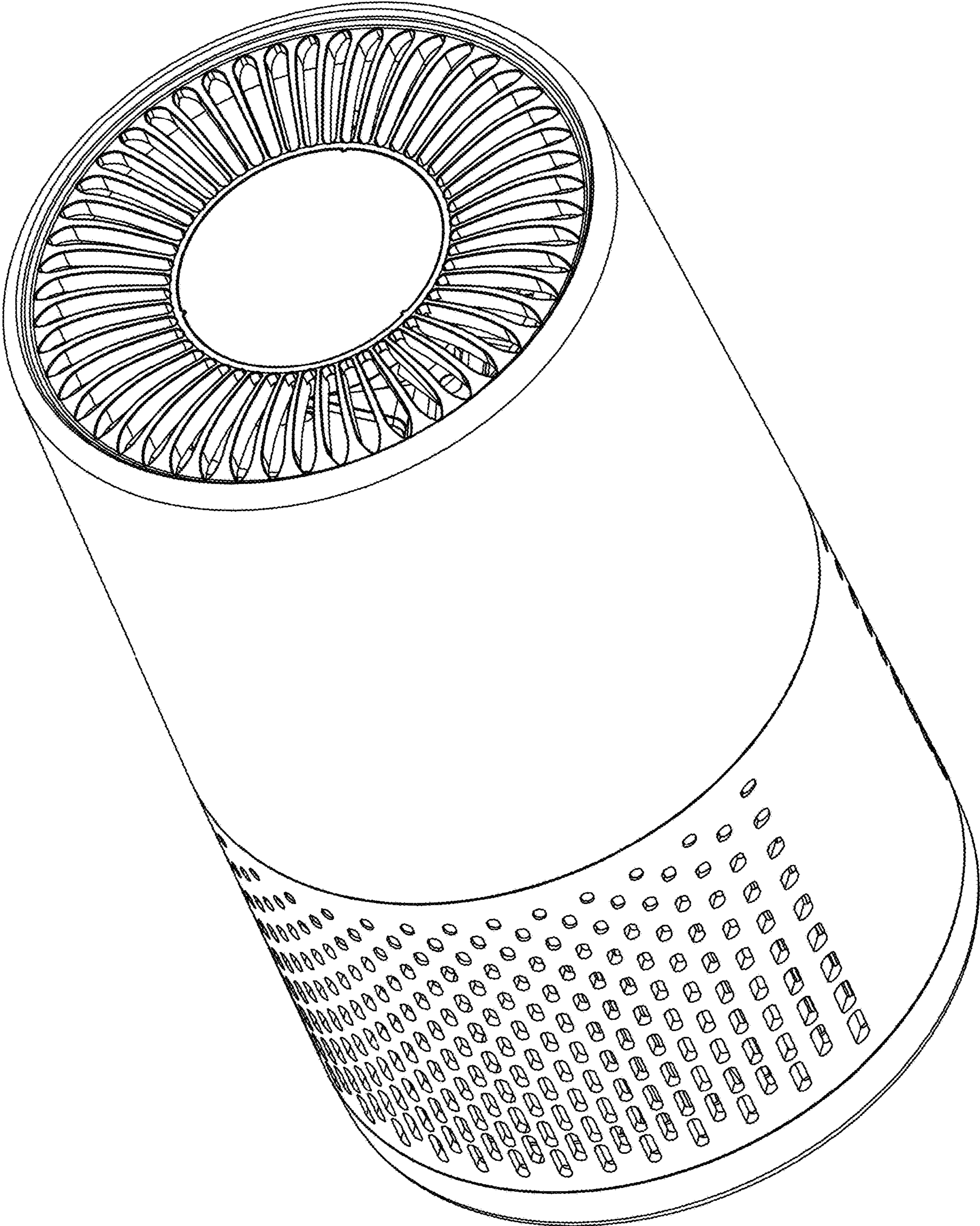


FIG. 1

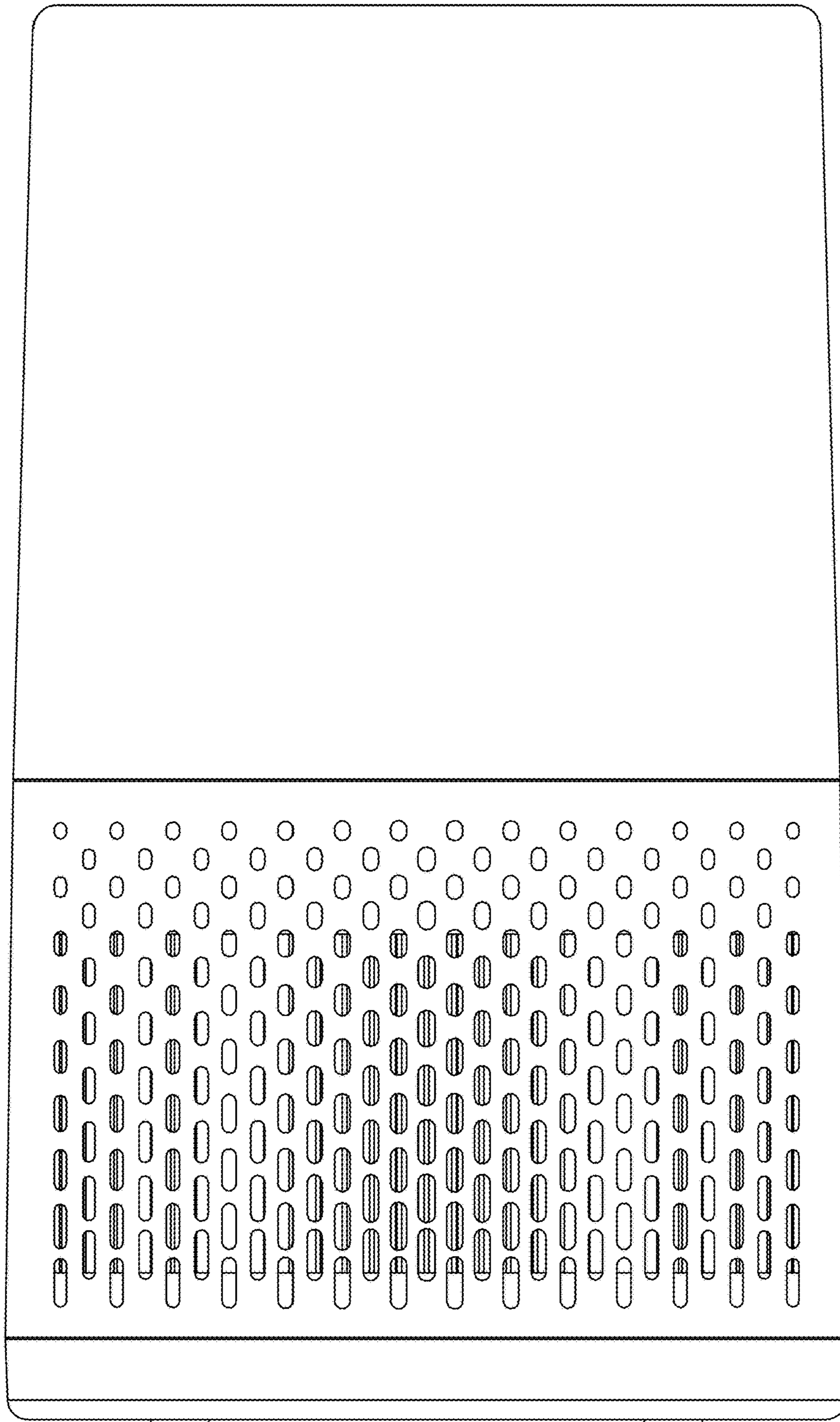


FIG. 2

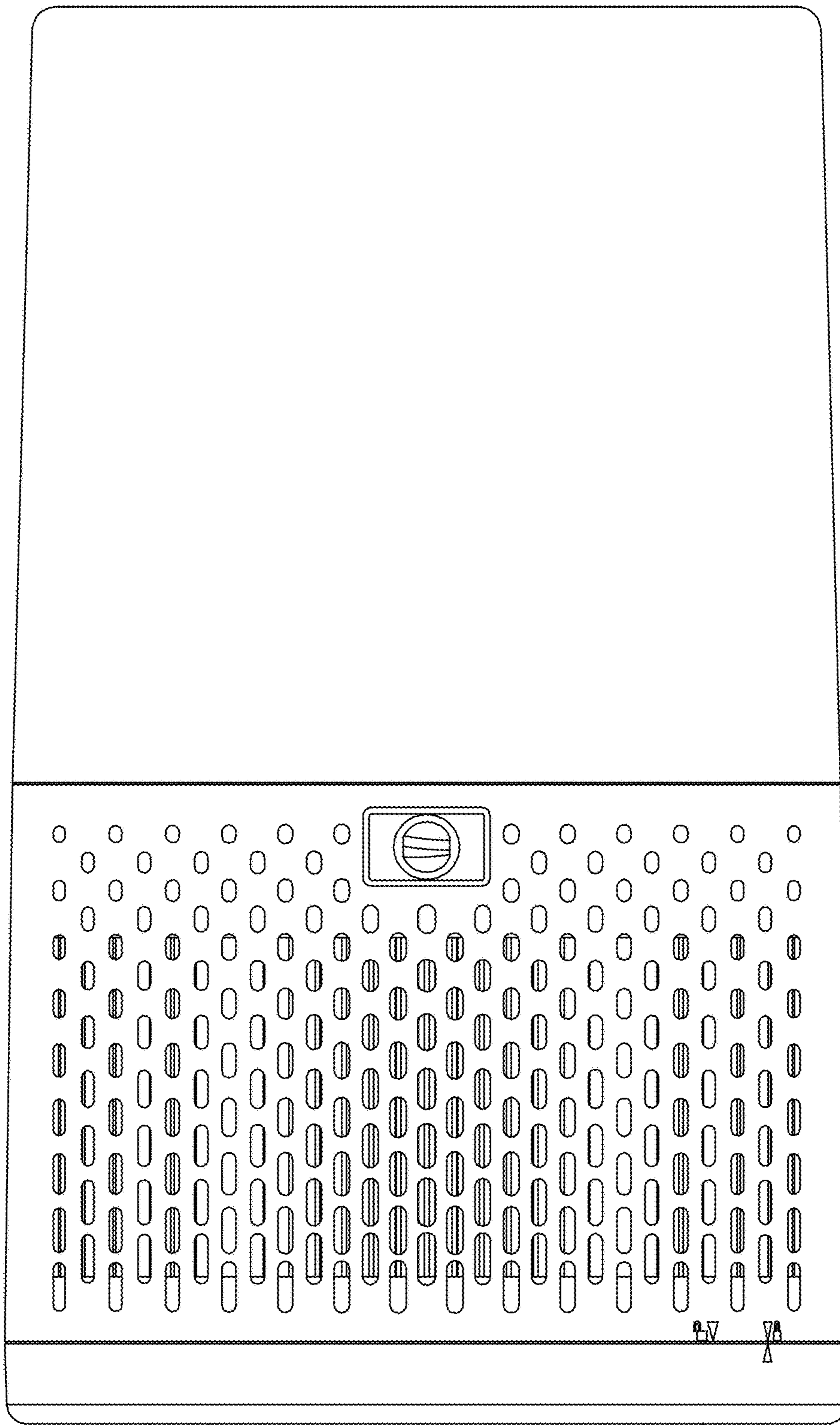


FIG. 3

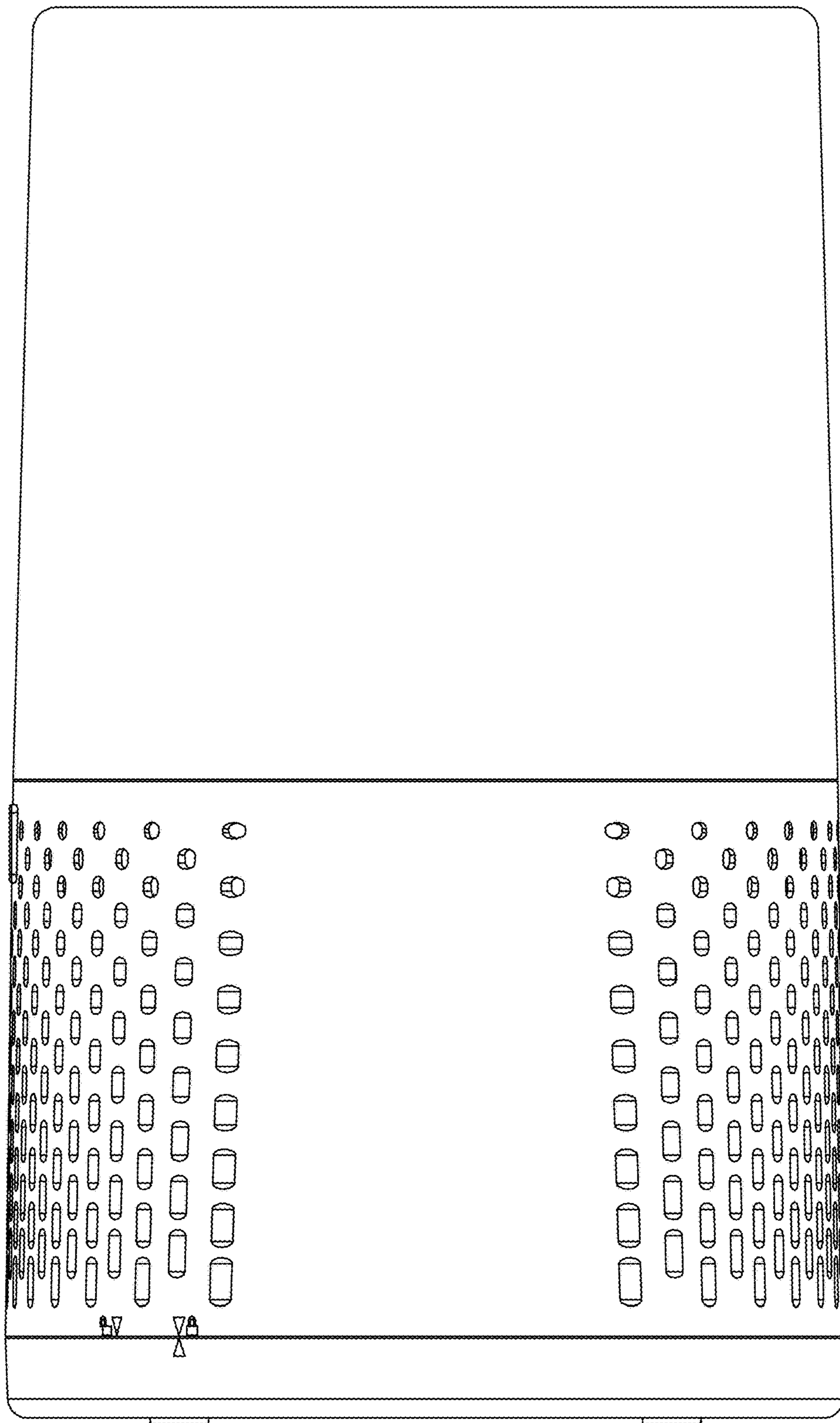


FIG. 4

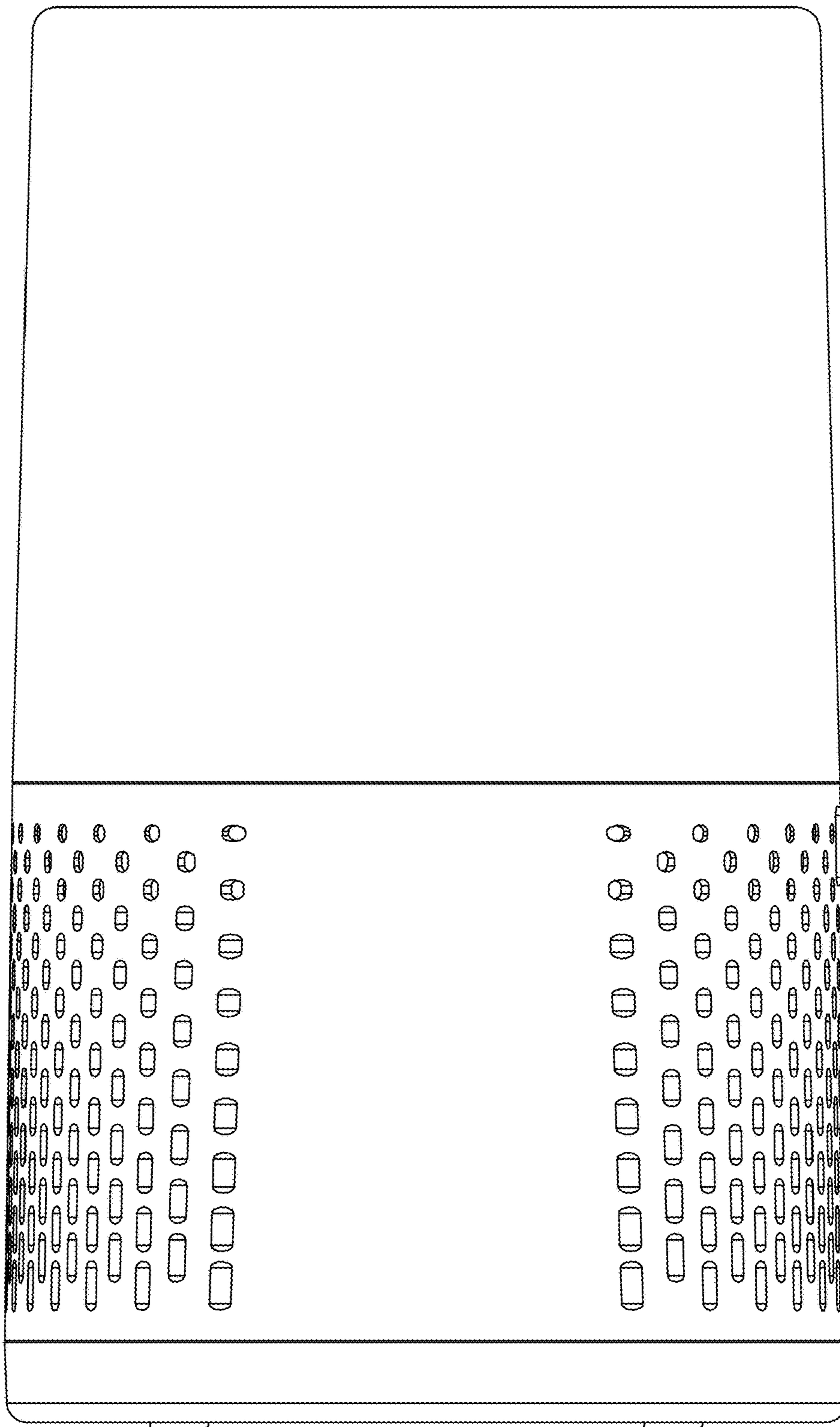


FIG. 5

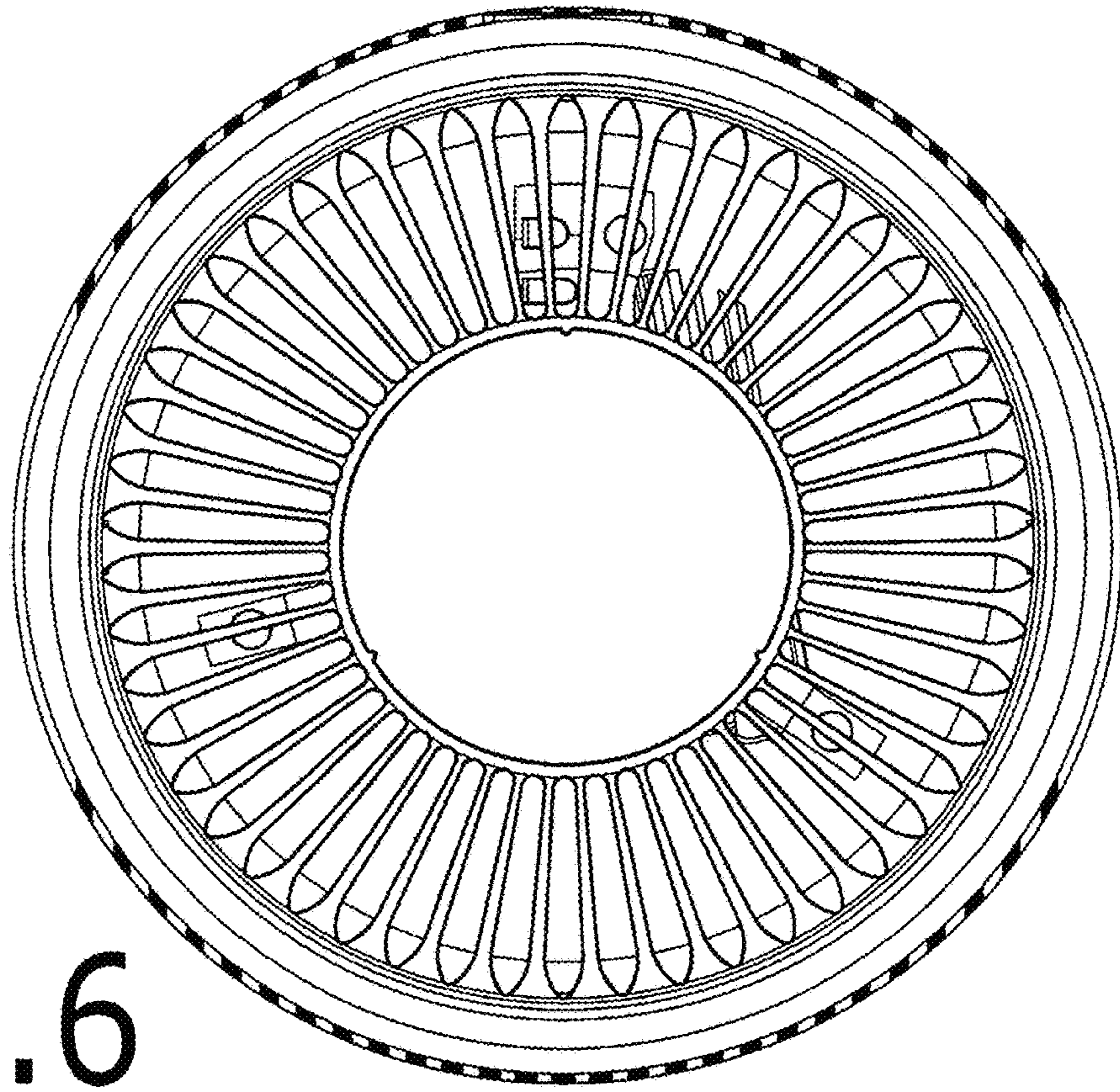


FIG. 6

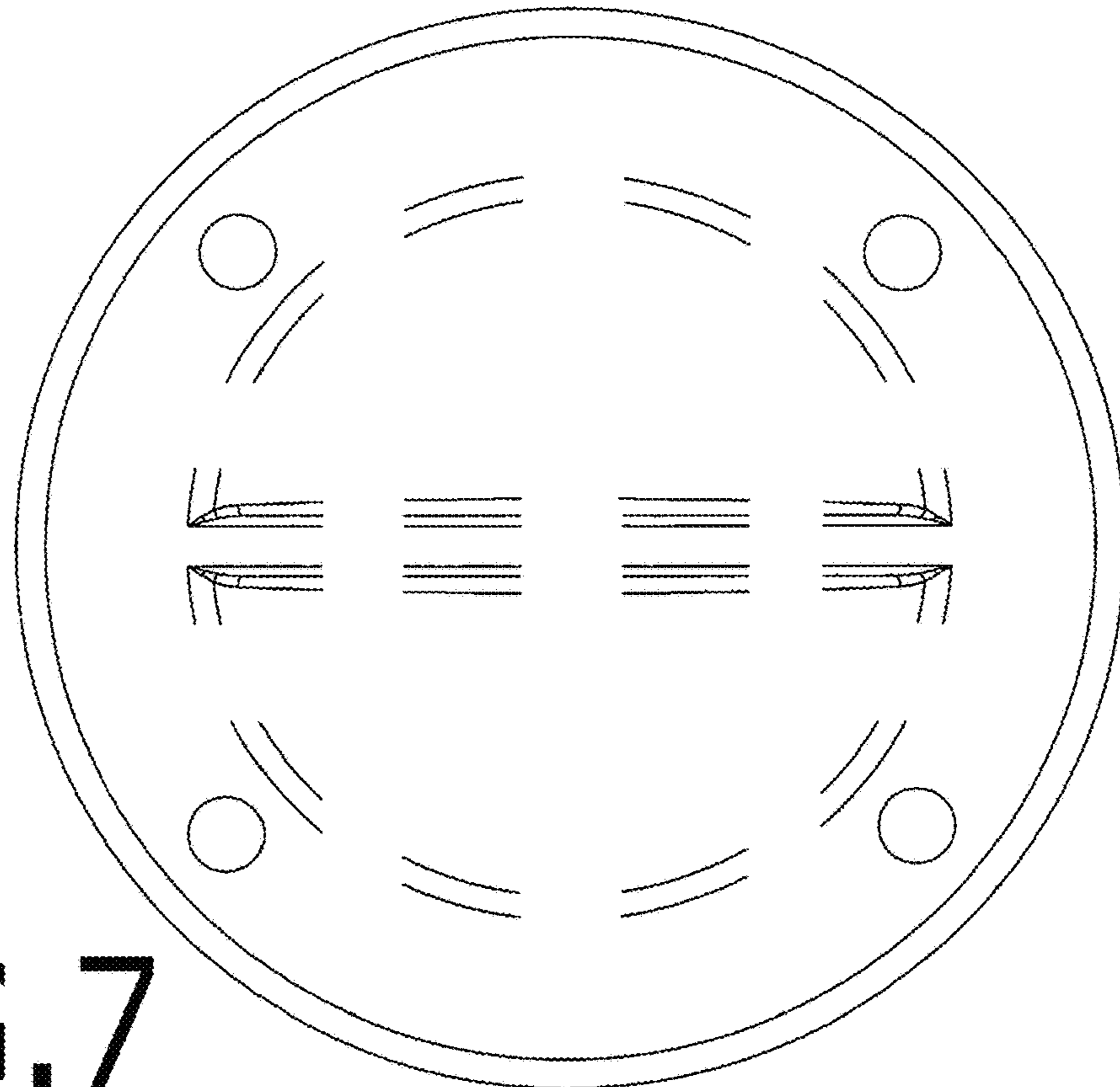


FIG. 7