



US00D906499S

(12) **United States Design Patent** (10) **Patent No.:** **US D906,499 S**  
**Johnson** (45) **Date of Patent:** **\*\* Dec. 29, 2020**

(54) **PORTABLE FIRE PLACE**

(71) Applicant: **Donald C. Johnson**, Woodbury, NJ (US)

(72) Inventor: **Donald C. Johnson**, Woodbury, NJ (US)

(\*\*) Term: **15 Years**

(21) Appl. No.: **29/654,763**

(22) Filed: **Jun. 27, 2018**

(51) **LOC (12) Cl.** ..... **23-03**

(52) **U.S. Cl.**  
USPC ..... **D23/344**

(58) **Field of Classification Search**  
USPC ..... D23/314, 317, 329, 330, 332, 339-346  
CPC ..... B65D 88/00; B65D 88/52; B65D 88/12;  
B65D 19/20; B65D 19/12; B65D 19/02  
See application file for complete search history.

(56) **References Cited**

**U.S. PATENT DOCUMENTS**

|              |      |         |          |       |                         |
|--------------|------|---------|----------|-------|-------------------------|
| 5,016,527    | A *  | 5/1991  | Spanner  | ..... | A47F 3/001<br>34/102    |
| 5,042,713    | A *  | 8/1991  | Stafford | ..... | B65D 5/32<br>229/117.01 |
| 5,289,933    | A *  | 3/1994  | Streich  | ..... | B65D 88/526<br>220/1.5  |
| 5,762,222    | A *  | 6/1998  | Liu      | ..... | B65D 19/12<br>206/512   |
| D534,627     | S *  | 1/2007  | Stokes   | ..... | D23/314                 |
| D631,953     | S *  | 2/2011  | Backes   | ..... | D23/343                 |
| D653,739     | S *  | 2/2012  | Gibbs    | ..... | D23/314                 |
| D673,664     | S *  | 1/2013  | Kent     | ..... | D23/343                 |
| D738,477     | S *  | 9/2015  | Nemes    | ..... | D23/344                 |
| D804,625     | S *  | 12/2017 | Baker    | ..... | D23/344                 |
| 2019/0024902 | A1 * | 1/2019  | Johnson  | ..... | F24B 1/182              |

(Continued)

**FOREIGN PATENT DOCUMENTS**

EM 000221130-0002 \* 9/2004

**OTHER PUBLICATIONS**

BurnCage XL, reviewed on Apr. 8, 2012[online], [site visited Mar. 11, 2020]. Available from internet, URL:<https://www.drpower.com/Power-Equipment/BurnCage/BurnCage-XL/p/000000000000356410> (Year: 2012).\*

(Continued)

*Primary Examiner* — Barbara Fox

*Assistant Examiner* — Jamaal Rasheed

(74) *Attorney, Agent, or Firm* — Ariel S. Bentolila; Bay Area IP Group, LLC

(57) **CLAIM**

The ornamental design for a portable fire place, substantially as shown and described.

**DESCRIPTION**

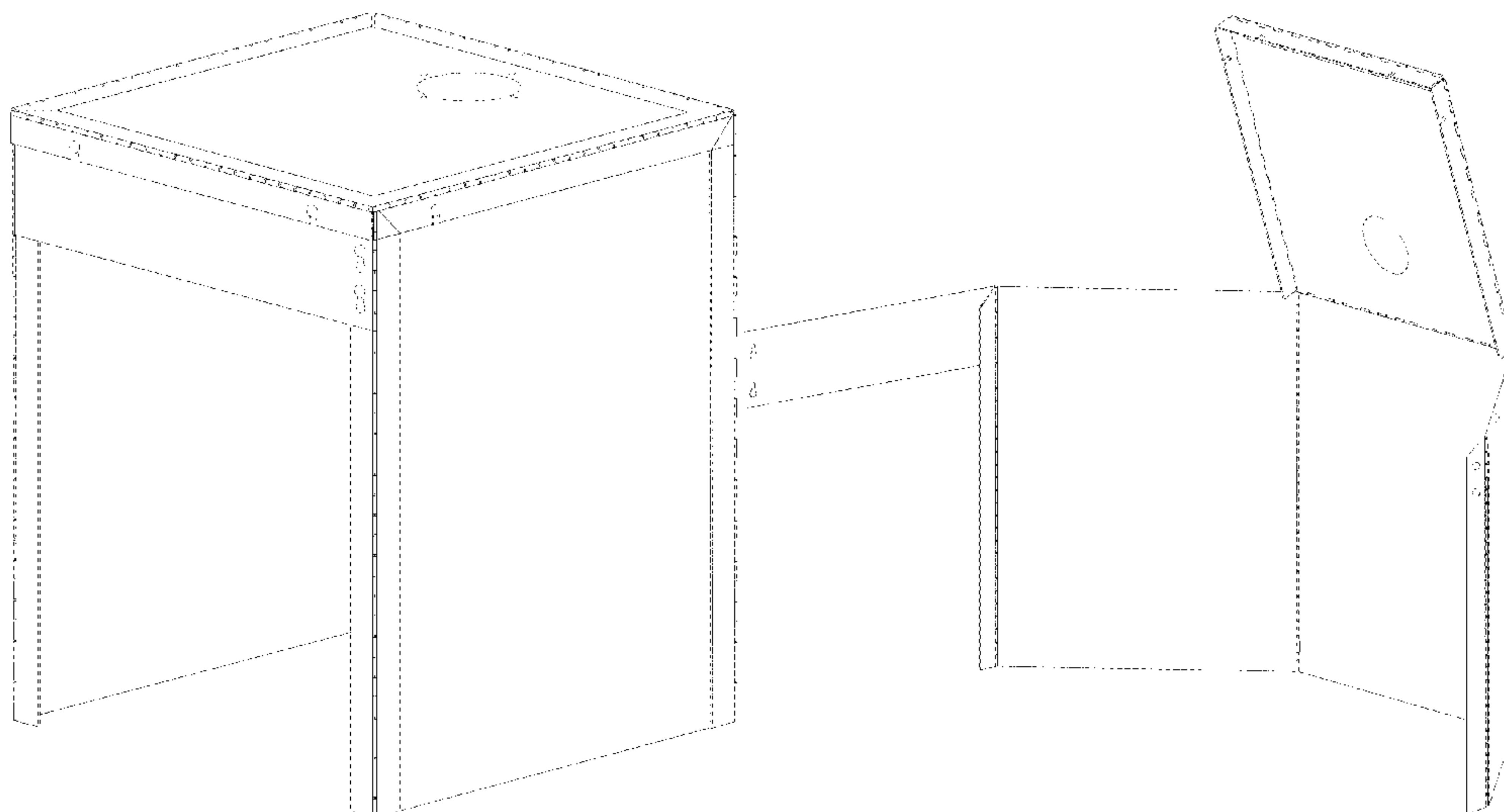
FIG. 1 is a front elevational view of a portable fireplace in accordance with the present design;  
FIG. 2 is a left side elevational view thereof;  
FIG. 3 is a top plan view thereof;  
FIG. 4 is a rear elevational view thereof;  
FIG. 5 is a front perspective view thereof;  
FIG. 6 is a front perspective view of the design of FIG. 1, shown in a fully folded position; and,  
FIG. 7 is a front perspective view of the design of FIG. 1, shown in an unfolded position.

The left side elevational view is not shown because it is symmetric to the right side elevational view.

The broken line showing of the vent opening and the interlocking screws and keyhole mounting slots depicts portions of the portable fire place that form no part of the claimed design.

In a preferred embodiment, the nature of this product is as a portable fire place, which is primarily useful as a receptacle for a fire.

**1 Claim, 7 Drawing Sheets**



(56)

**References Cited**

U.S. PATENT DOCUMENTS

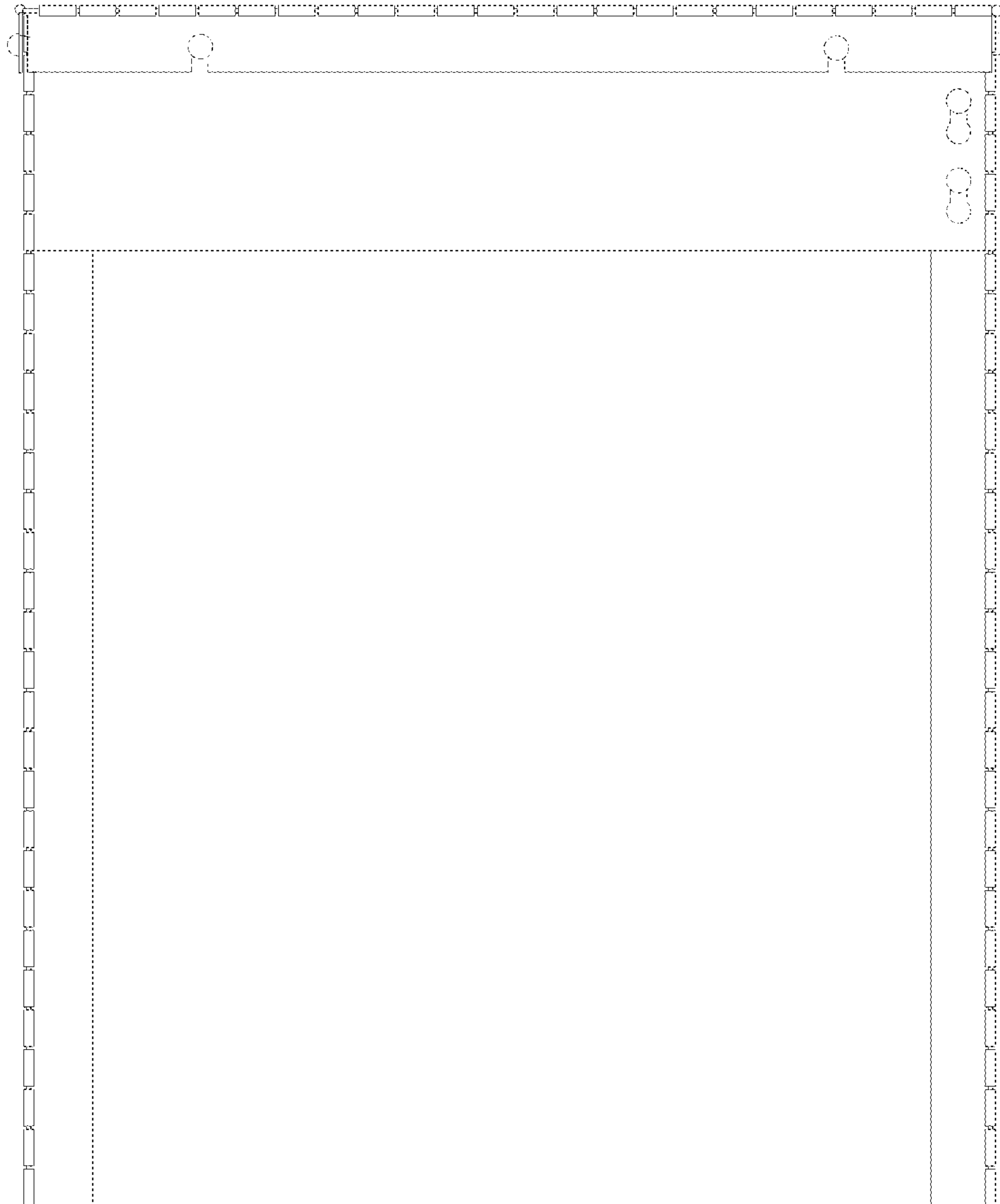
2020/0047942 A1\* 2/2020 Rozek ..... B65D 5/441  
2020/0080333 A1\* 3/2020 Zahn ..... G07C 9/20

OTHER PUBLICATIONS

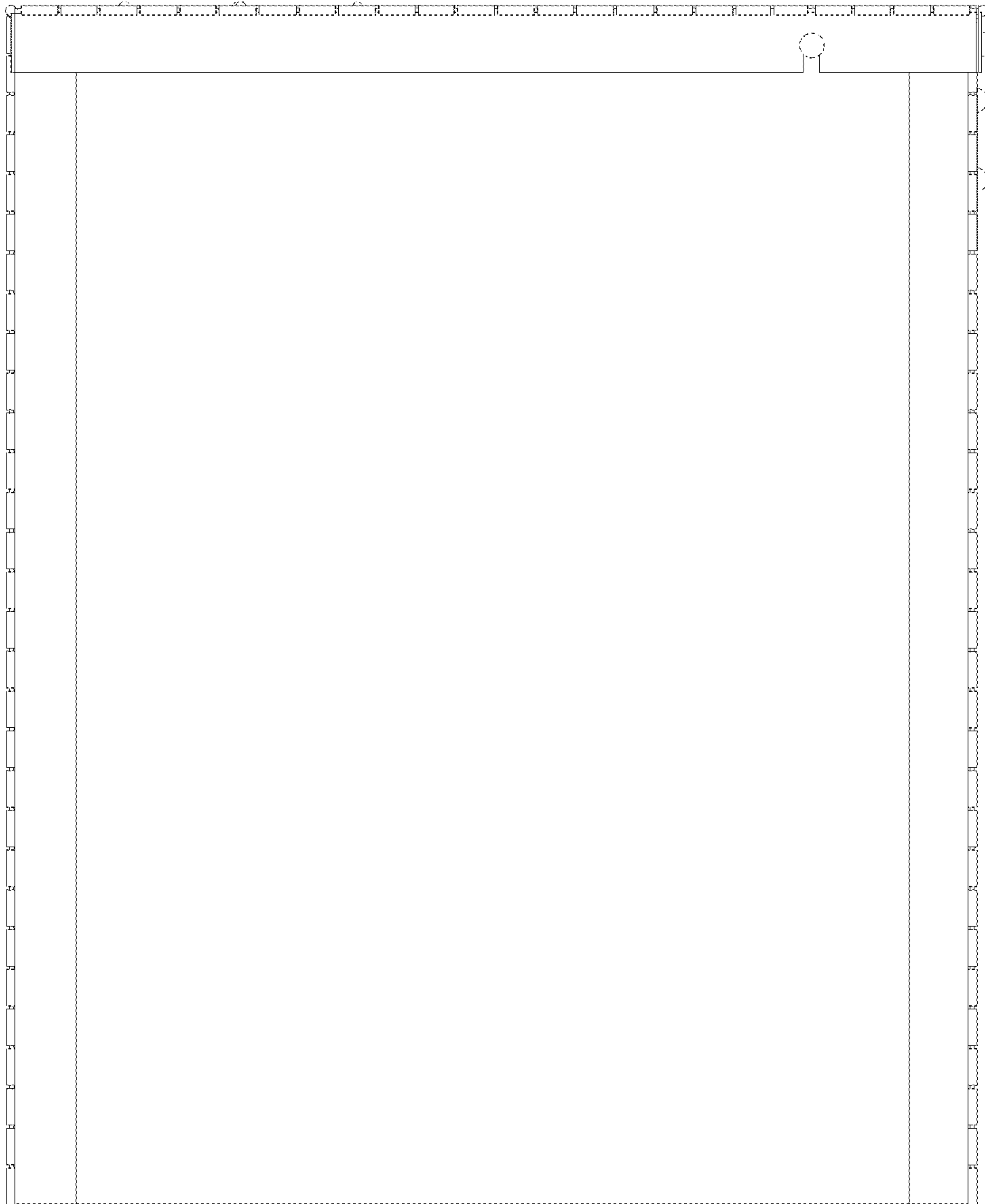
Steel Folding Burn Cage and Fire Pit Screen, reviewed on Apr. 30, 2019[online], [site visited Mar. 11, 2020]. Available from internet, URL:<<https://www.homedepot.com/p/Sportsman-Steel-Folding-Burn-Cage-and-Fire-Pit-Screen-803839/308662683>> (Year: 2019).\*

Fireplace Insert Glass/Stone Black, as early as May 6, 2016[online], [site visited Mar. 11, 2020]. Available from internet, URL:<<https://www.amazon.com/exec/obidos/ASIN/B01F8MC62E/ezvid02-20>> (Year: 2016).\*

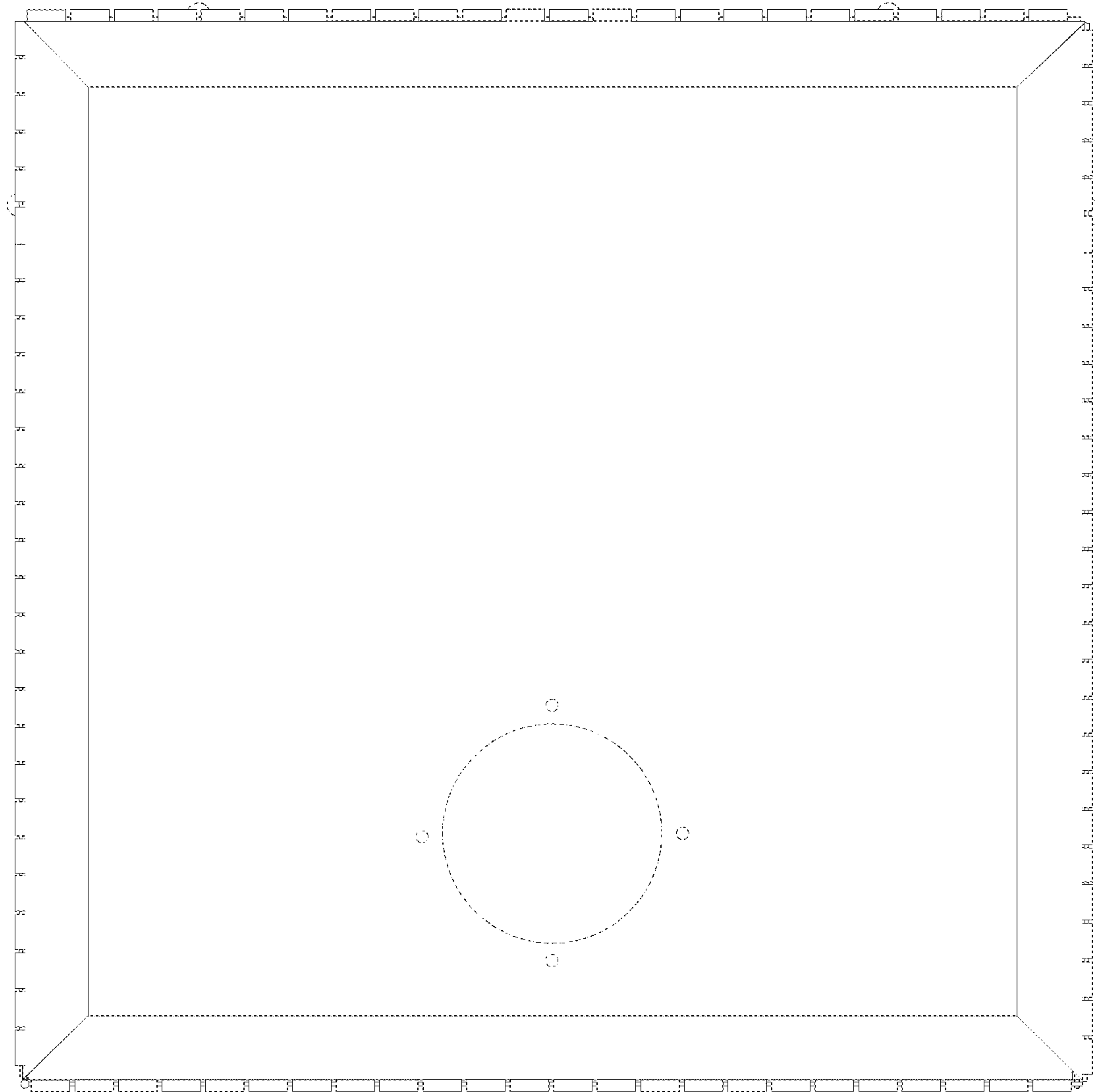
\* cited by examiner



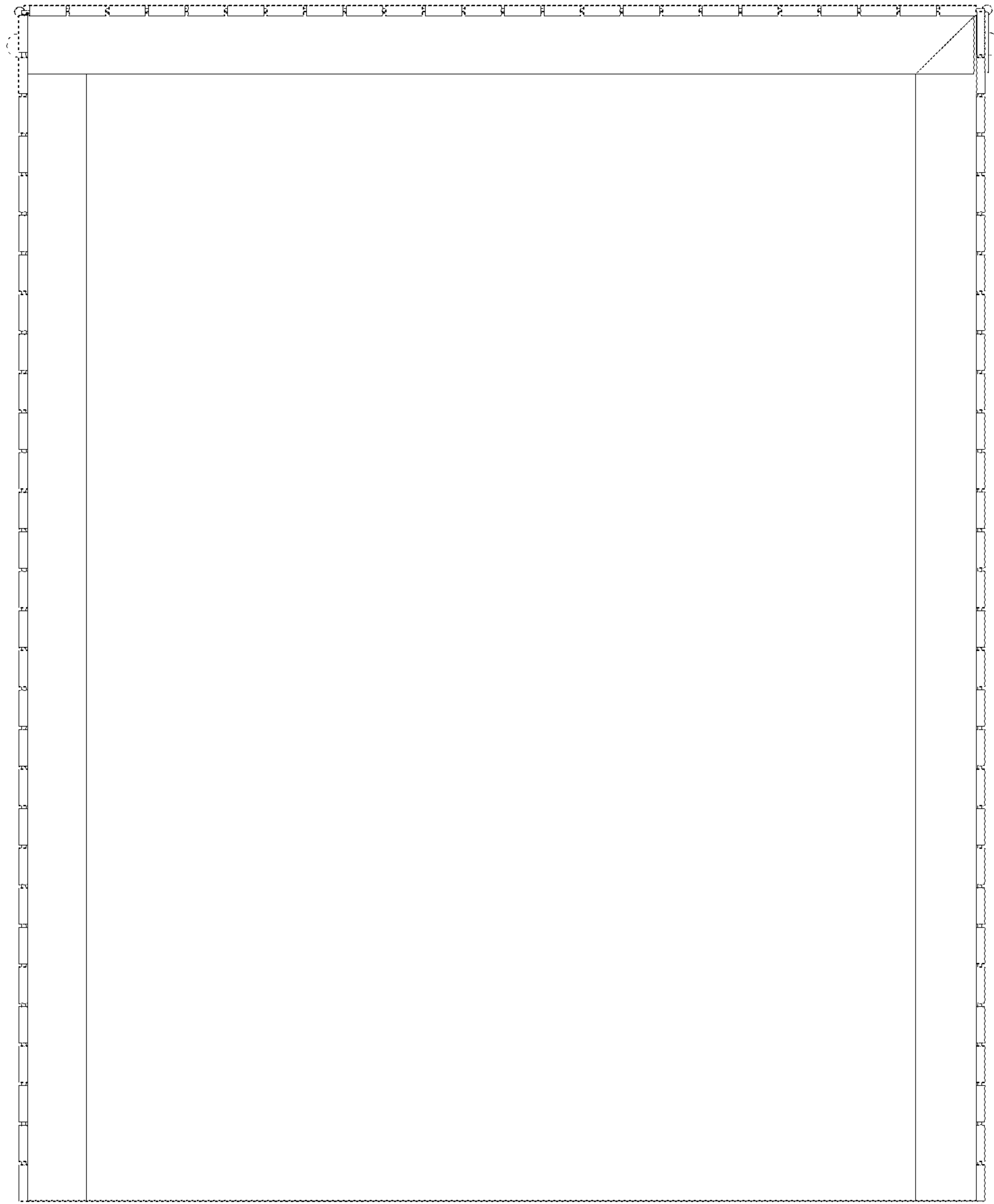
*FIG. 1*



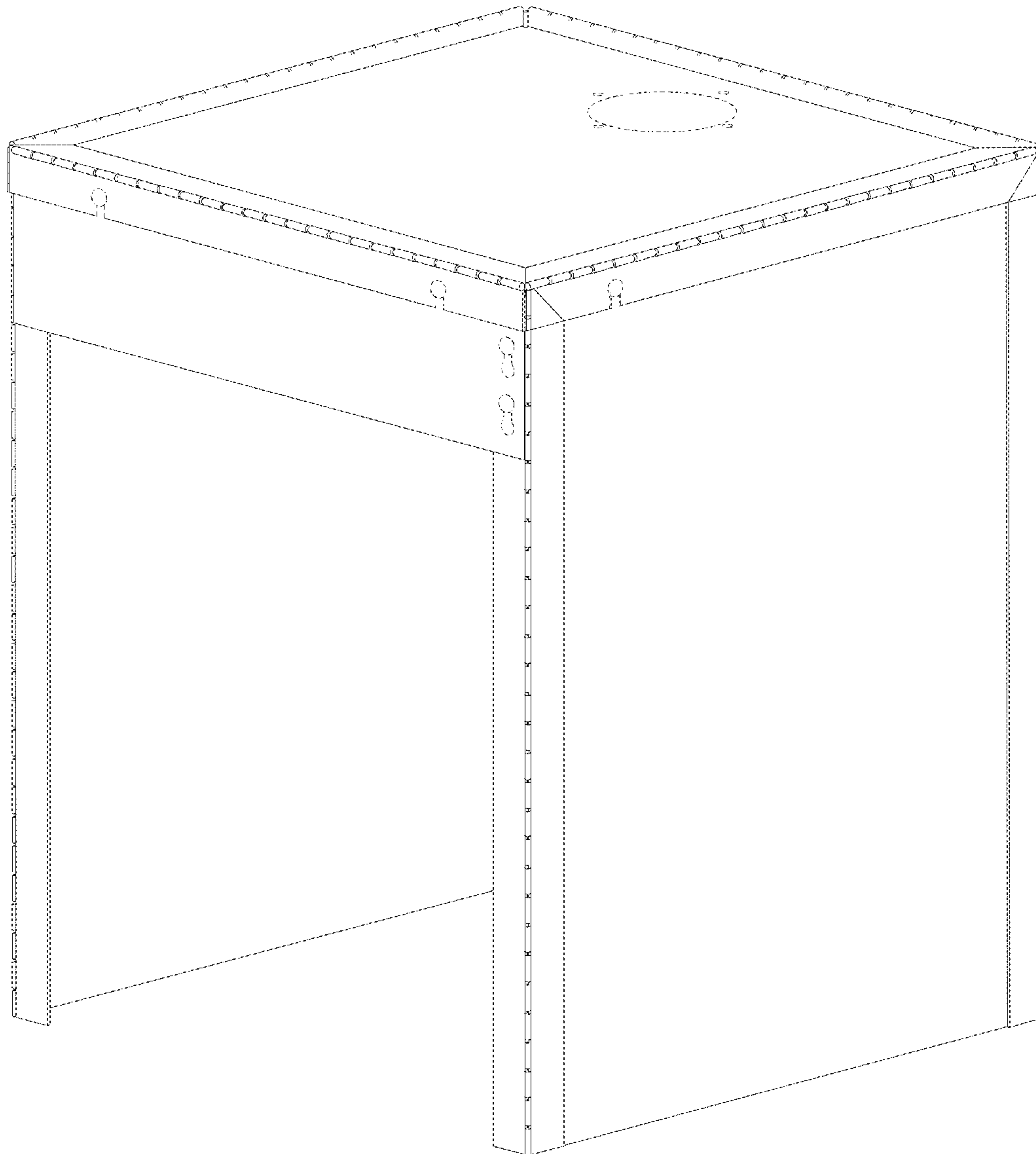
*FIG. 2*



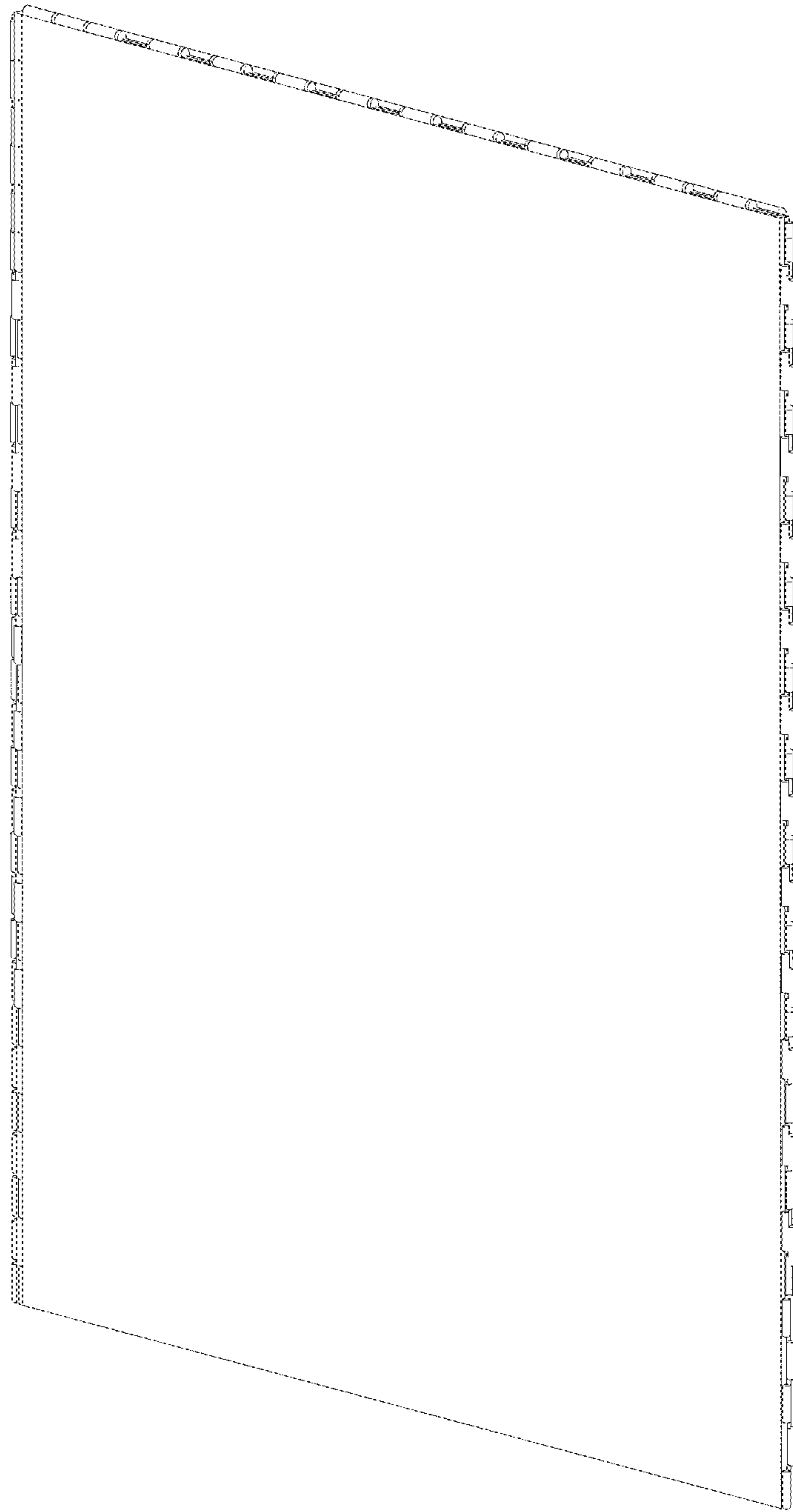
**FIG. 3**



*FIG. 4*

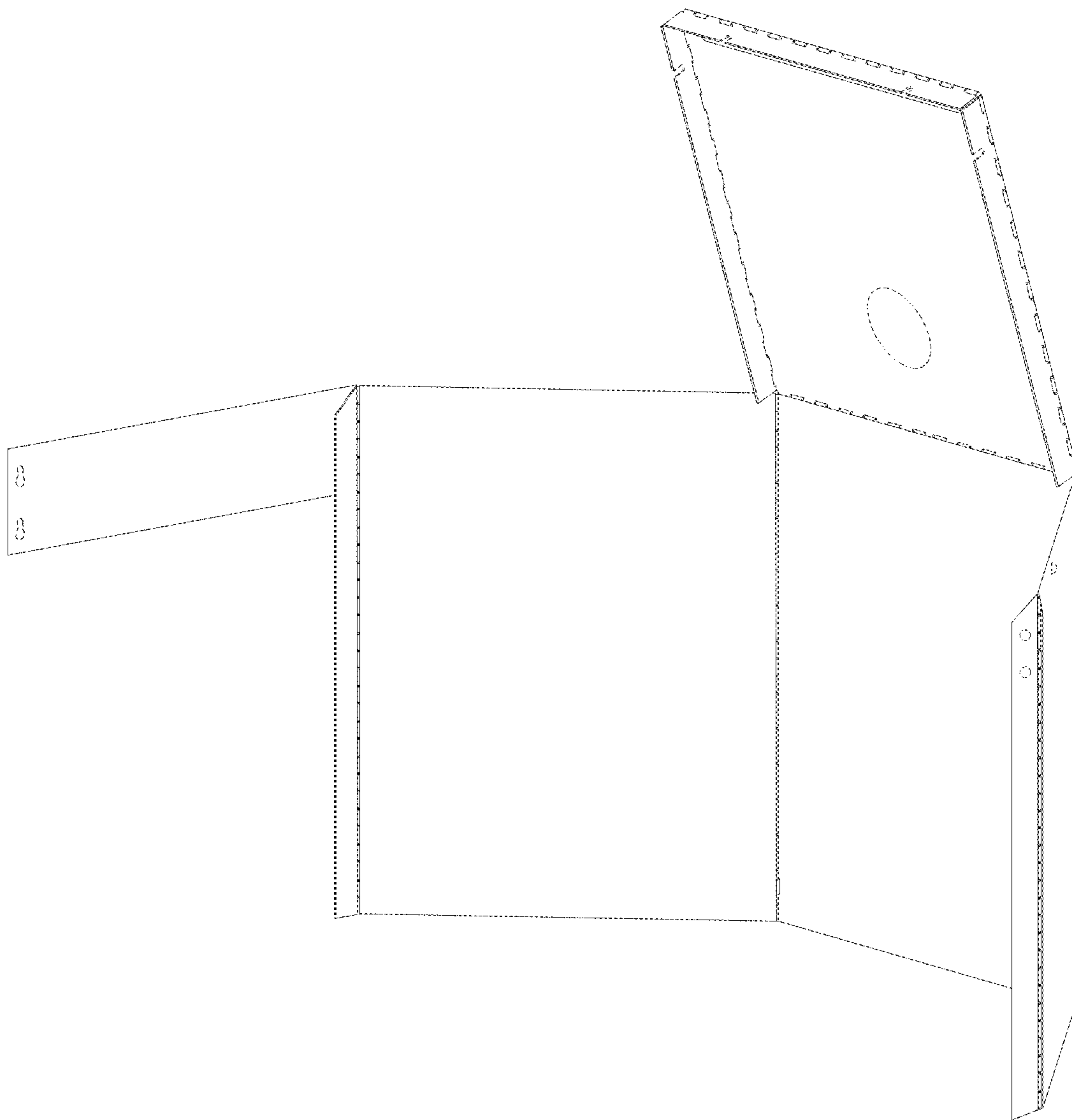


**FIG. 5**



**FIG. 6**





**FIG. 7**