



US00D906498S

(12) **United States Design Patent** (10) **Patent No.:** **US D906,498 S**
Lu (45) **Date of Patent:** **** Dec. 29, 2020**

(54) **ELECTRIC FIREPLACE**
(71) Applicant: **Dong Guan Song Wei Electric Technology Co., Ltd.**, Guangdong (CN)
(72) Inventor: **Weilin Lu**, Dongguan (CN)
(73) Assignee: **DONG GUAN SONG WEI ELECTRIC TECHNOLOGY CO., LTD.**, Dongguan (CN)
(**) Term: **15 Years**
(21) Appl. No.: **29/678,387**
(22) Filed: **Jan. 29, 2019**
(51) **LOC (12) Cl.** **23-03**
(52) **U.S. Cl.**
USPC **D23/343**
(58) **Field of Classification Search**
USPC D23/332, 342-344, 350, 385, 403, 405; 392/348; 345/173; 126/500, 544
CPC F24C 7/00; F24B 1/18; F21S 10/04; G09F 19/00; G06F 3/041; G06F 3/00
See application file for complete search history.

(56) **References Cited**
U.S. PATENT DOCUMENTS
D256,613 S * 8/1980 Hilker D23/385
D383,836 S * 9/1997 Gerth D23/343
D384,406 S * 9/1997 Newman D23/342
(Continued)

FOREIGN PATENT DOCUMENTS
CN 303388638 * 3/2015
CN 303388649 * 4/2015
(Continued)

OTHER PUBLICATIONS
Real Flame Electric Firebox Insert , reviewed 2015 [online], [site visited Apr. 8, 2020]. Available from internet, URL:<<https://www.build.com/real-flame-4099/s798986?uid=2059601#reviews>> (Year: 2015).*

(Continued)

Primary Examiner — Barbara Fox
Assistant Examiner — Jamaal Rasheed
(74) *Attorney, Agent, or Firm* — Leong C. Lei

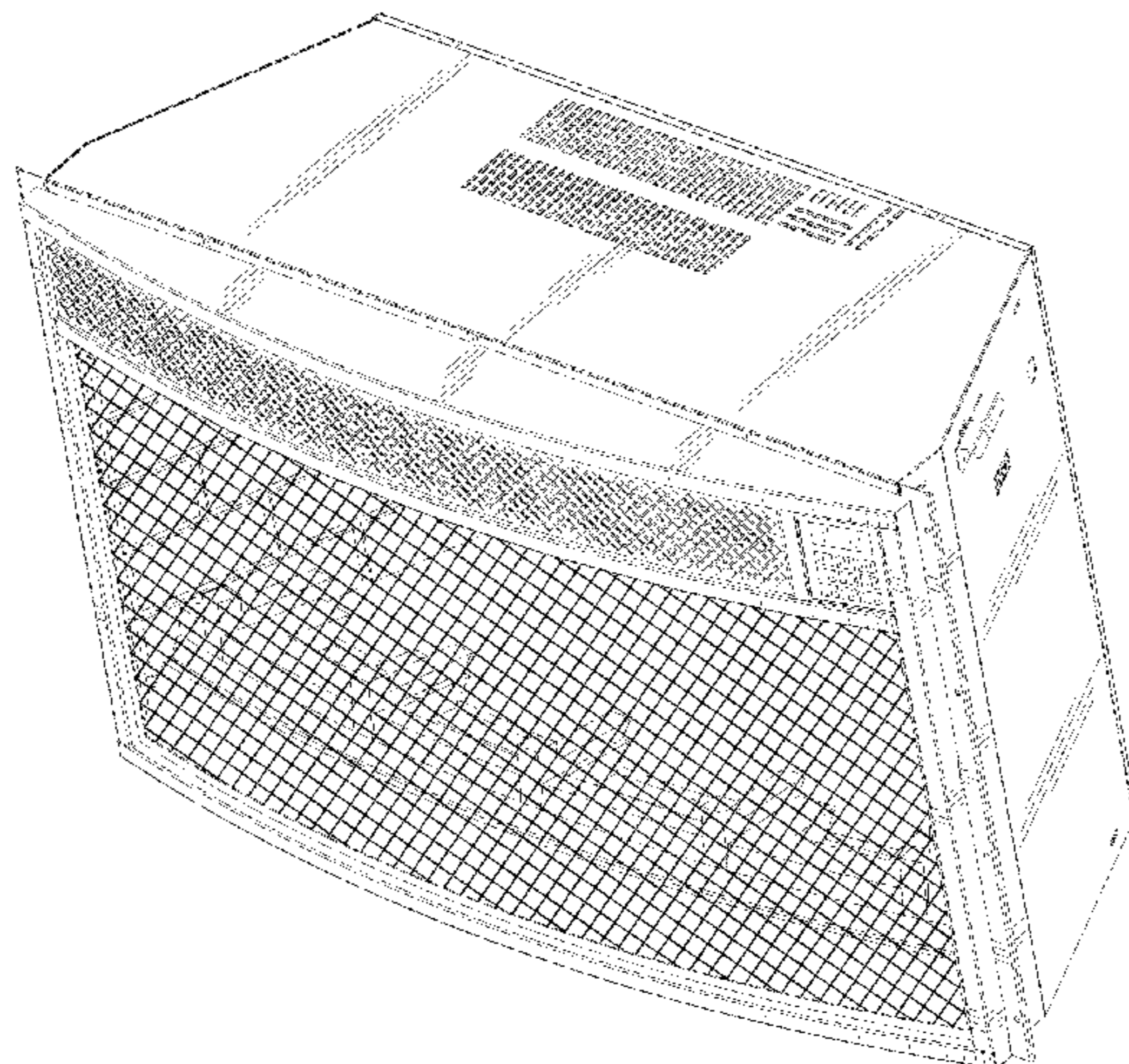
(57) **CLAIM**

The ornamental design for an electric fireplace, as shown and described.

DESCRIPTION

FIG. 1 is a perspective view of an electric fireplace showing my present design;
FIG. 2 is a front view thereof;
FIG. 3 is a rear view thereof;
FIG. 4 is a left side view thereof;
FIG. 5 is a right side view thereof;
FIG. 6 is a top view thereof;
FIG. 7 is a bottom view thereof;
FIG. 8 is an enlarged, fragmentary left view-of a portion of FIG. 4;
FIG. 9 is an enlarged, fragmentary right view of a portion of FIG. 5;
FIG. 10 is a cross-sectional view taken along line 10-10 of FIG. 2;
FIG. 11 is a cross-sectional view taken along line 11-11 of FIG. 2; and,
FIG. 12 is a cross-sectional view taken along line 12-12 of FIG. 2.
The dashed broken lines represent unclaimed portions of the electric fireplace and form no part of the claimed design. The dashed broken lines depict portions of the electric fireplace and form no part of the claimed design. Cross-hatching provided on cut surfaces is for illustrative purposed only and forms no part of the claimed design.

1 Claim, 12 Drawing Sheets



(56)

References Cited

U.S. PATENT DOCUMENTS

D385,023 S * 10/1997 Newman D23/342
 D390,936 S * 2/1998 French D23/343
 D421,795 S * 3/2000 French D23/350
 6,393,207 B1 * 5/2002 Martin F24C 7/004
 362/806
 7,162,820 B2 * 1/2007 Hess F24C 7/004
 40/428
 D561,317 S * 2/2008 Ou D23/344
 7,673,408 B2 * 3/2010 Hess F24C 7/004
 40/219
 D631,533 S * 1/2011 Gallo D23/343
 D631,953 S * 2/2011 Backes D23/343
 D638,922 S * 5/2011 Zhou D23/344
 D654,995 S * 2/2012 Asofsky D23/332
 D654,996 S * 2/2012 Asofsky D23/332
 D658,749 S * 5/2012 Crowe D23/343
 D658,750 S * 5/2012 Nemes D23/344
 D664,634 S * 7/2012 Kent D23/343
 D665,897 S * 8/2012 Martin D23/405
 D666,281 S * 8/2012 Nemes D23/344
 D667,534 S * 9/2012 Kent D23/343
 D667,942 S * 9/2012 Kent D23/343
 D668,325 S * 10/2012 Kent D23/343
 D671,200 S * 11/2012 Kent D23/343
 D673,664 S * 1/2013 Kent D23/343
 D691,251 S * 10/2013 Couture D23/342
 D693,918 S * 11/2013 Whalen D23/405
 D694,873 S * 12/2013 Nemes D23/405
 8,661,721 B2 * 3/2014 Hess F24C 7/004
 40/428
 D717,417 S * 11/2014 Xiong D23/343
 D717,418 S * 11/2014 Xiong D23/343
 D719,247 S * 12/2014 Tse D23/343
 D738,477 S * 9/2015 Nemes D23/344
 D747,788 S * 1/2016 Baker D23/332

RE45,934 E * 3/2016 Kent D23/343
 D803,364 S * 11/2017 Lu D23/343
 D804,625 S * 12/2017 Baker D23/344
 D807,482 S * 1/2018 Lu D23/343
 D809,638 S * 2/2018 Chu D23/344
 10,001,895 B2 * 6/2018 Lu G06F 3/046
 10,247,375 B1 * 4/2019 Lu F21S 10/043
 10,371,333 B2 * 8/2019 Jones F21S 10/046
 10,495,275 B2 * 12/2019 Gallo F21S 10/046
 2003/0110671 A1 * 6/2003 Hess F24C 7/004
 40/428
 2005/0066960 A1 * 3/2005 Harp F24C 7/004
 126/500
 2007/0272232 A1 * 11/2007 Weinberger F24B 1/1808
 126/544
 2016/0170510 A1 * 6/2016 Lu F24C 7/004
 345/173
 2017/0261212 A1 * 9/2017 Tao F24C 7/004
 2017/0328575 A1 * 11/2017 Crowe F24C 7/004

FOREIGN PATENT DOCUMENTS

CN 303685140 * 11/2015
 CN 303685142 * 11/2015
 CN 305298087 * 11/2018
 CN 305298088 * 11/2018
 CN 305362813 * 11/2018

OTHER PUBLICATIONS

Dimplex 26-In Electric Fireplace Insert, reviewed 2016[online], [site visited Apr. 7, 2020]. Available from internet, URL:<<https://www.electricfireplacesdirect.com/products-accessories/plug-in-electric-fireplaces/dimplex-26-in-electric-fireplace-insert-dfr26511>> (Year: 2016).*

* cited by examiner

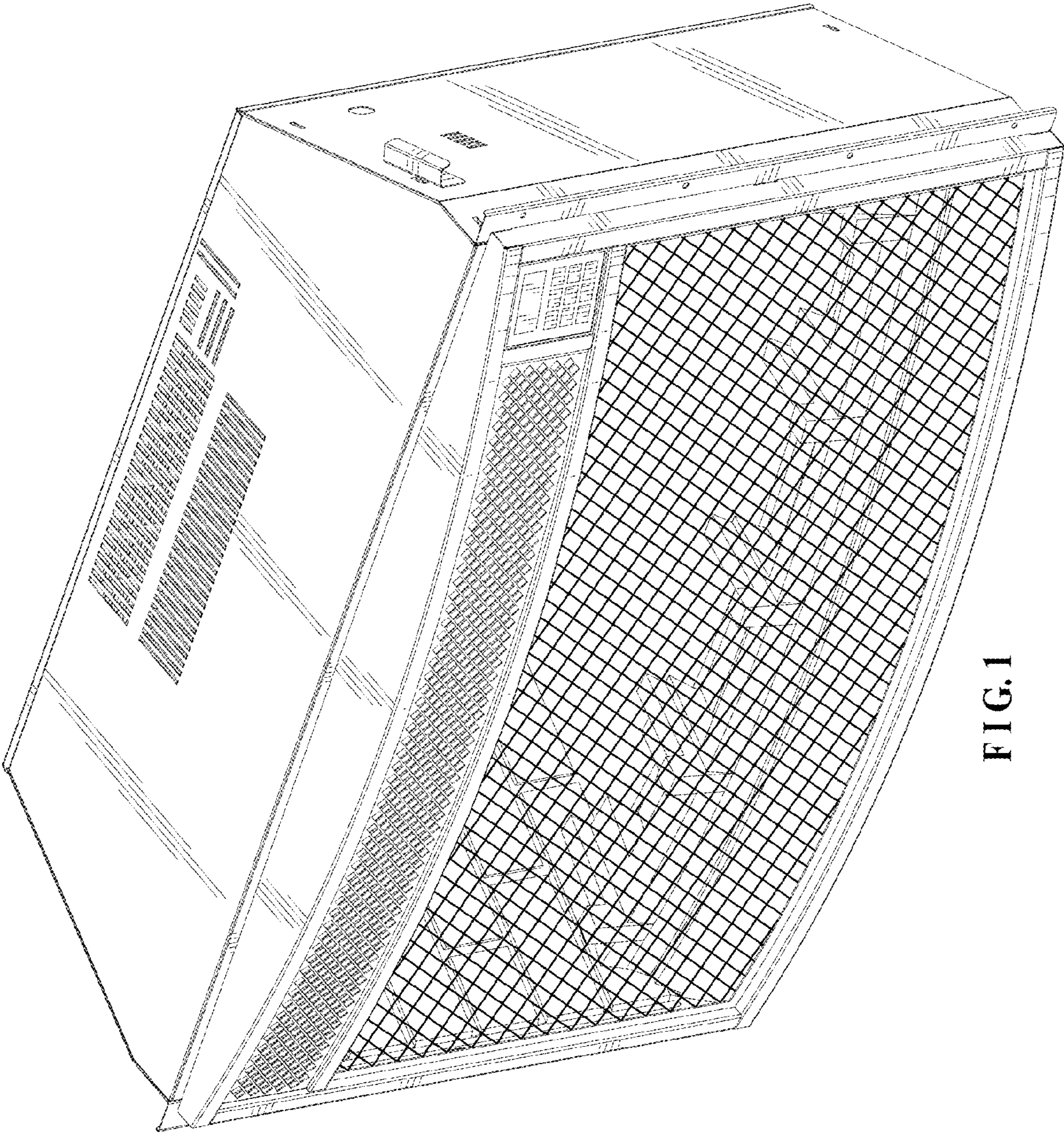
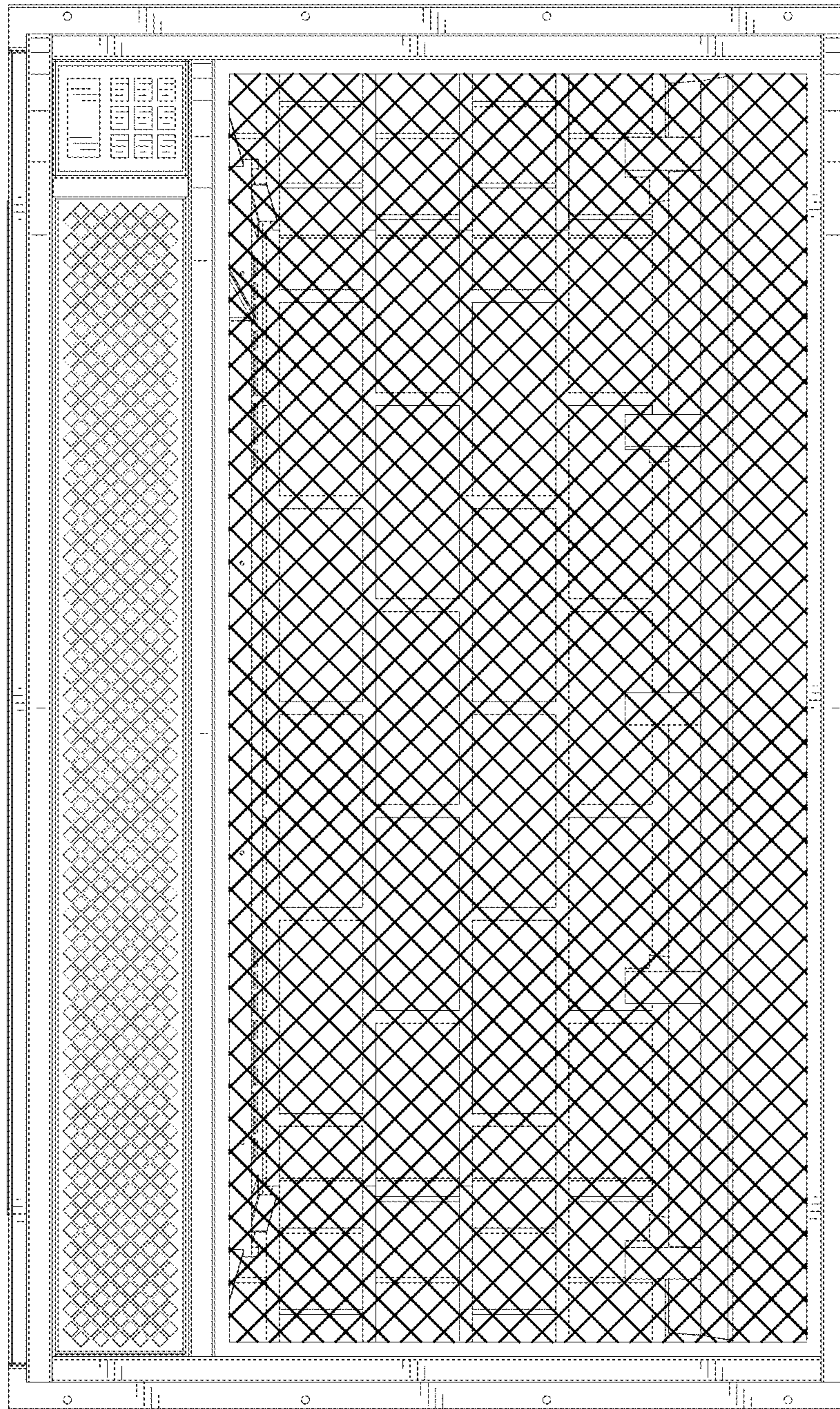


FIG. 1

FIG. 11 ←

→ FIG. 10



→ FIG. 12

→ FIG. 12

→ FIG. 10

← FIG. 11

FIG. 2

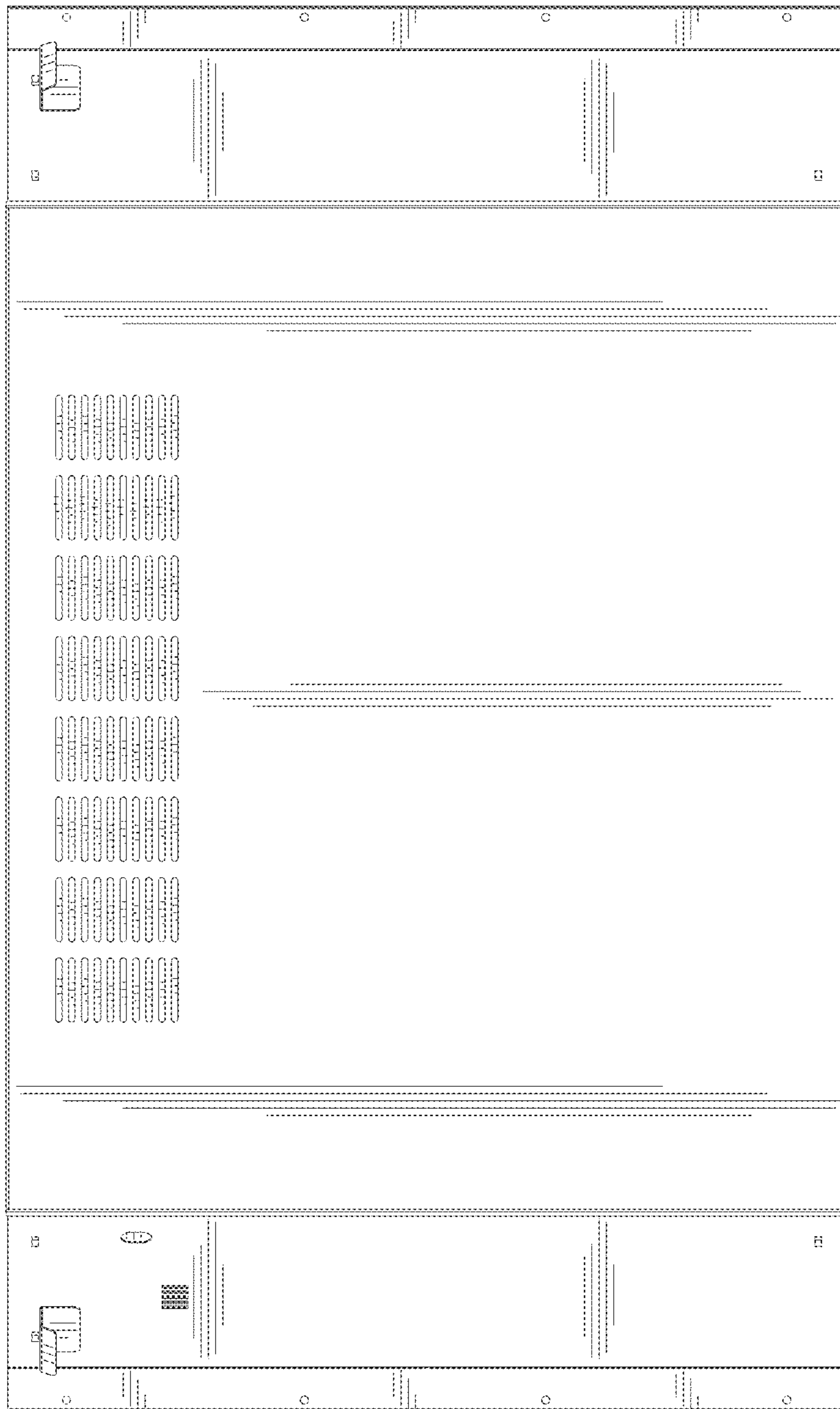


FIG. 3

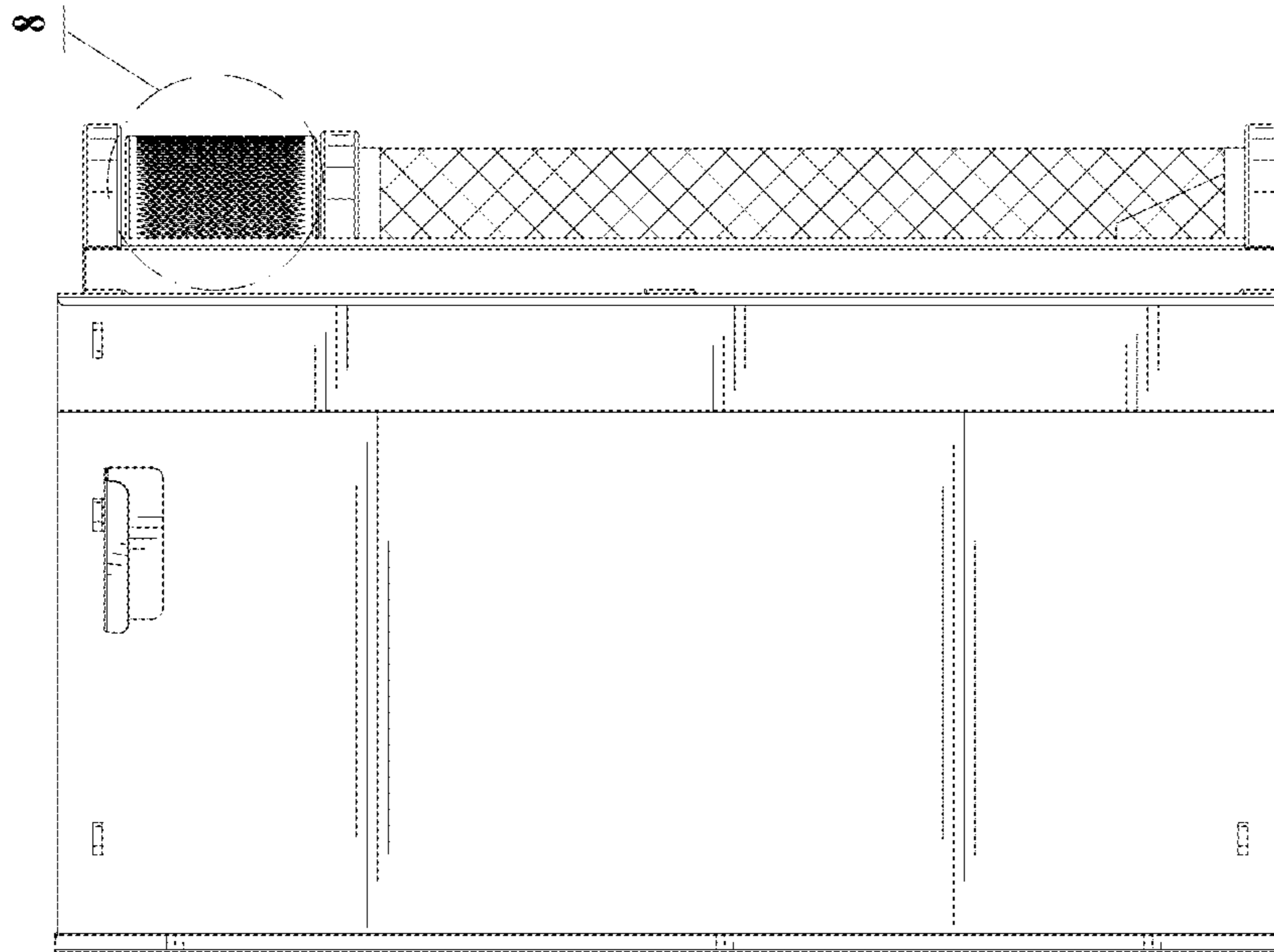


FIG. 4

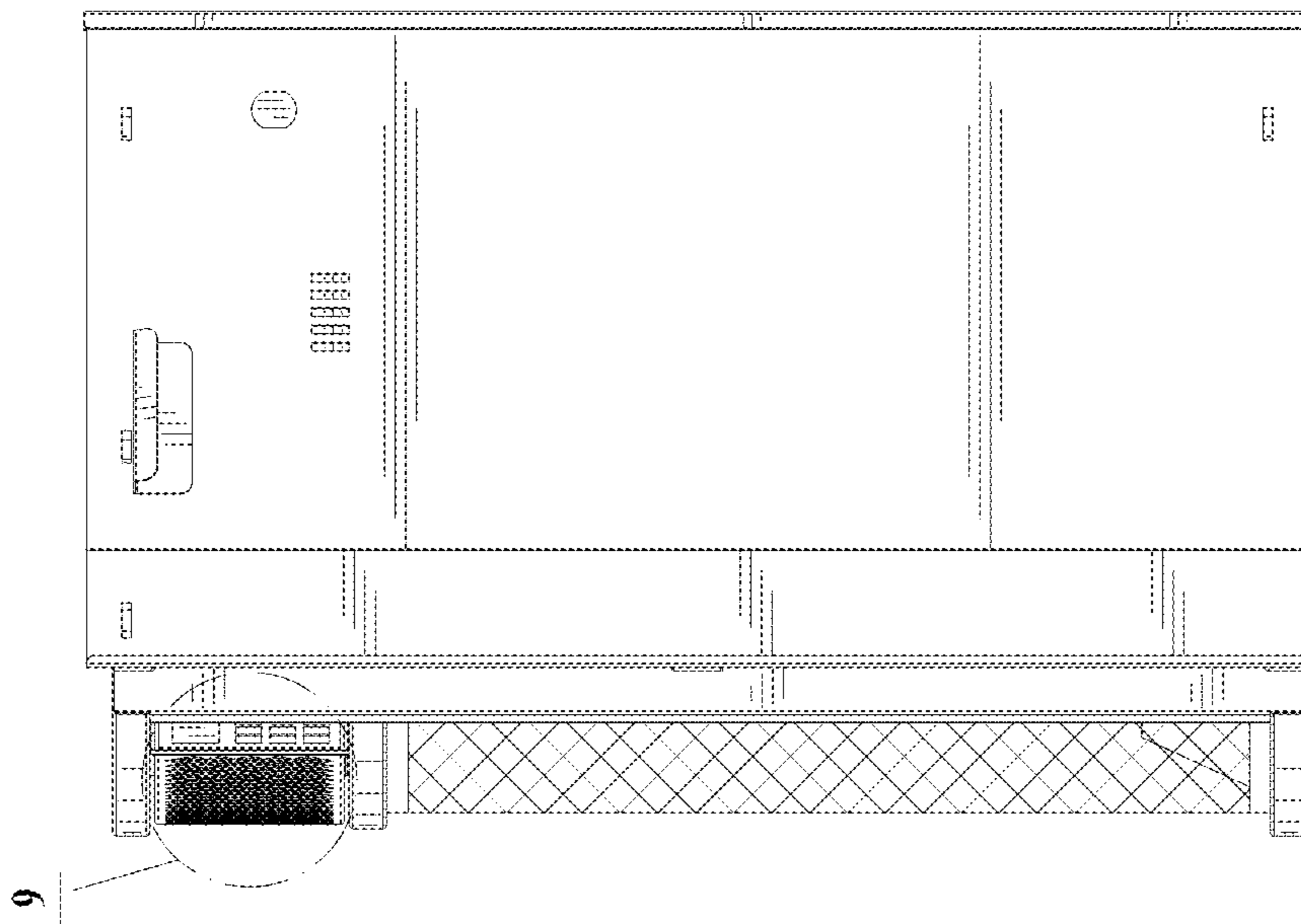


FIG. 5

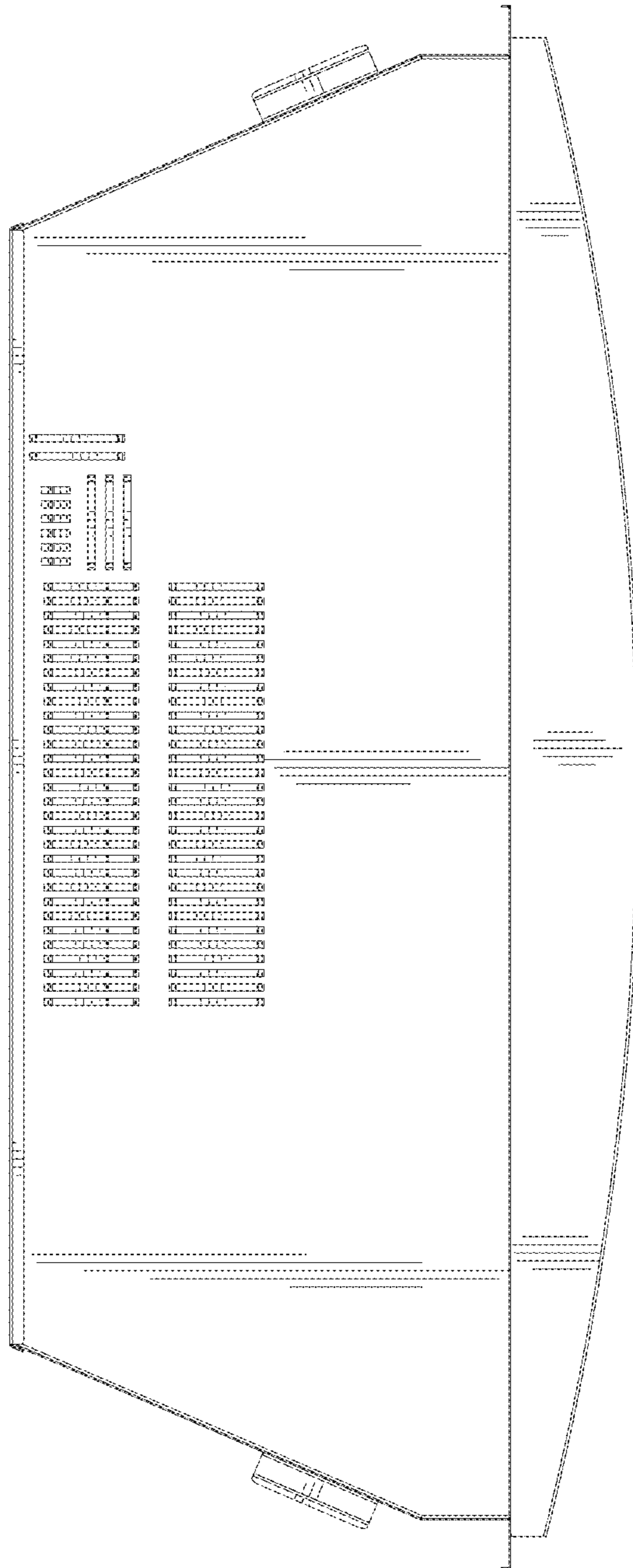


FIG. 6

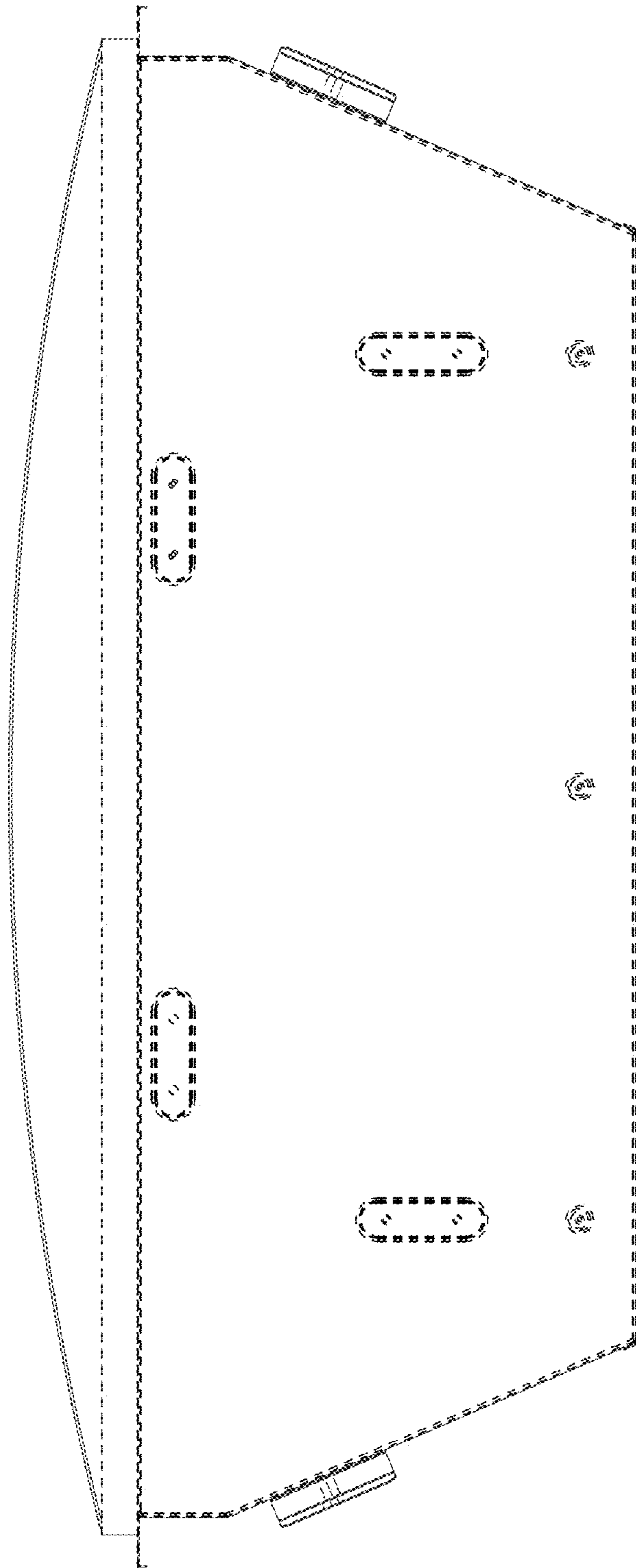


FIG. 7

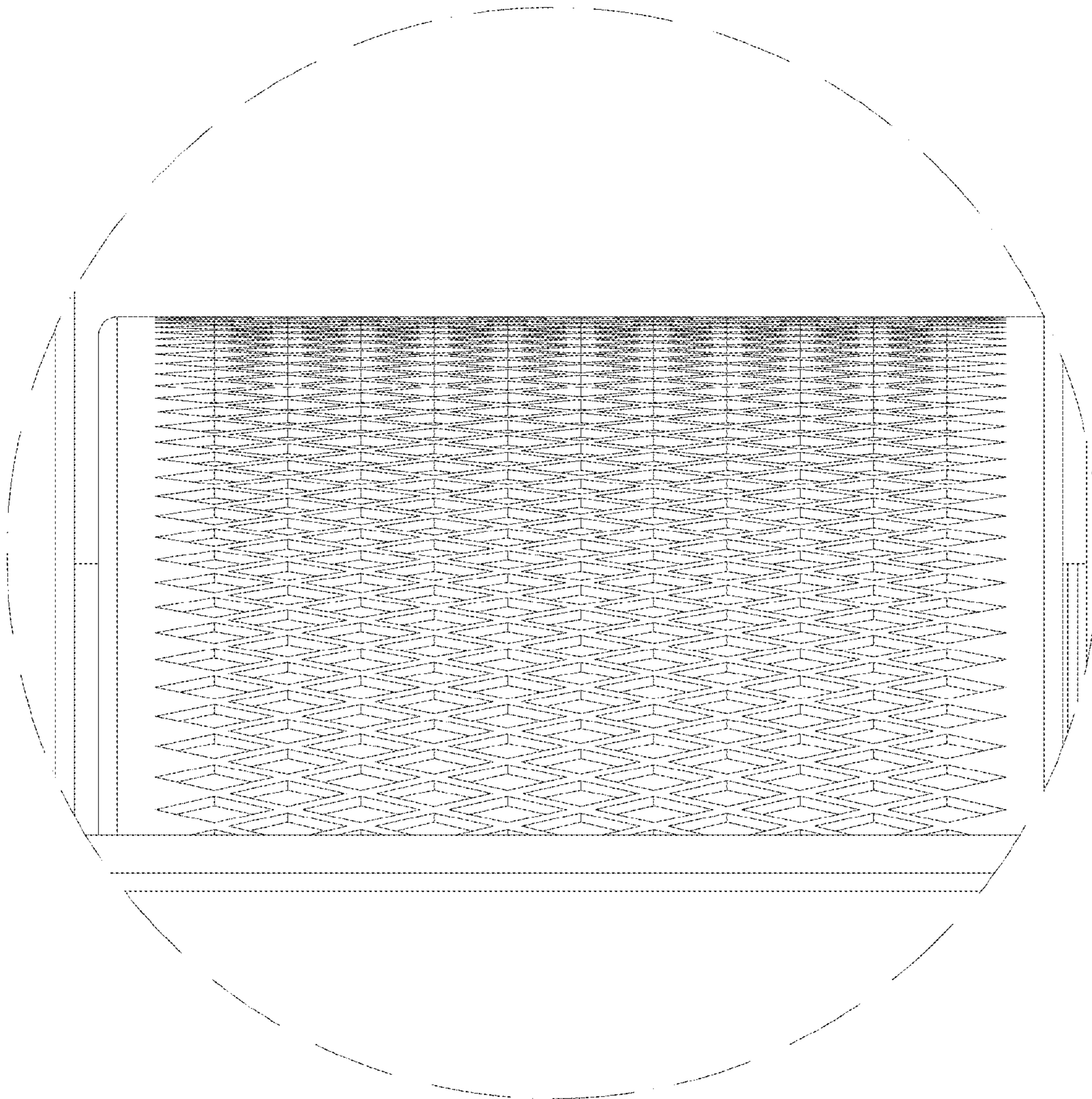


FIG. 8

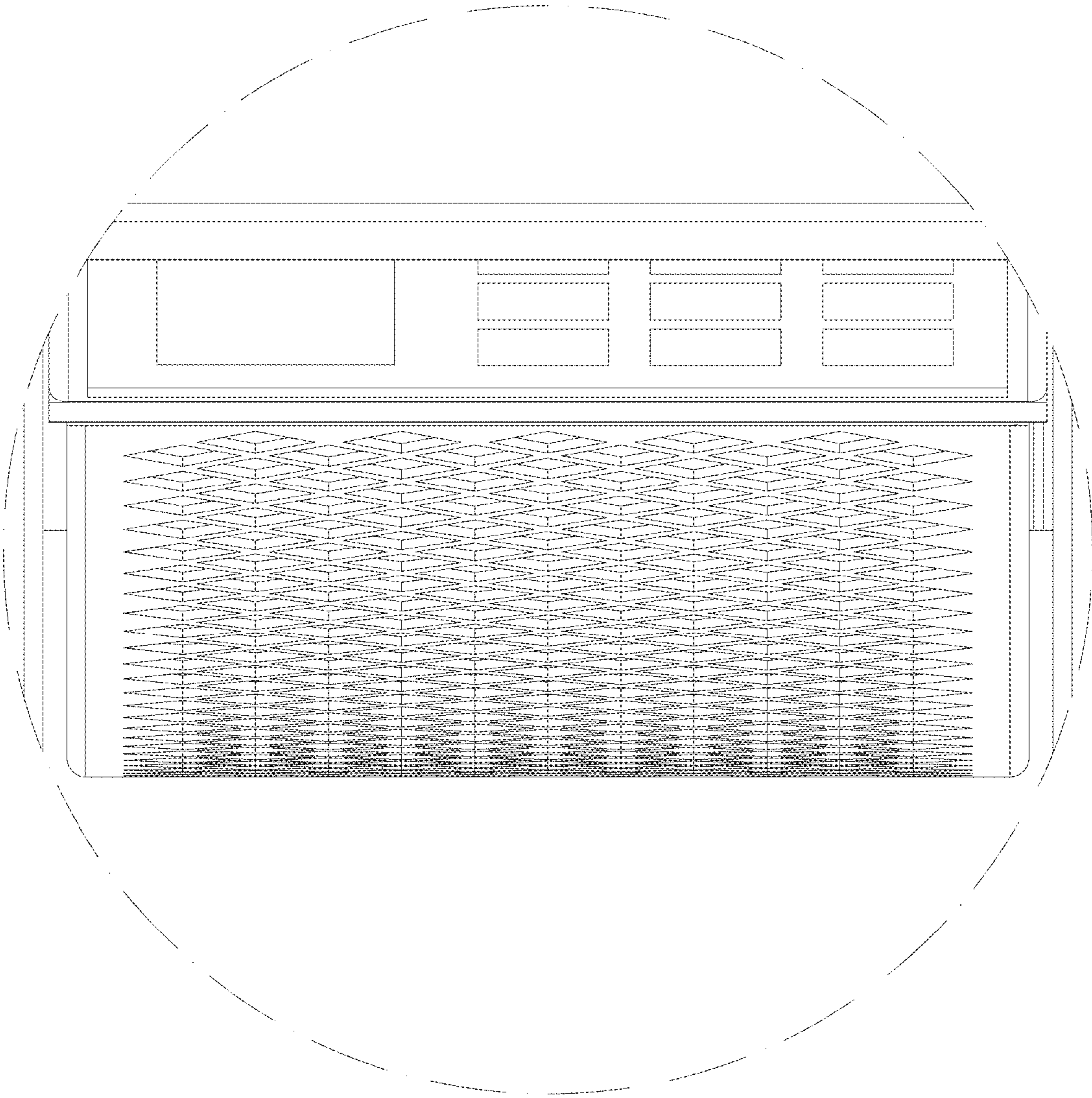


FIG. 9

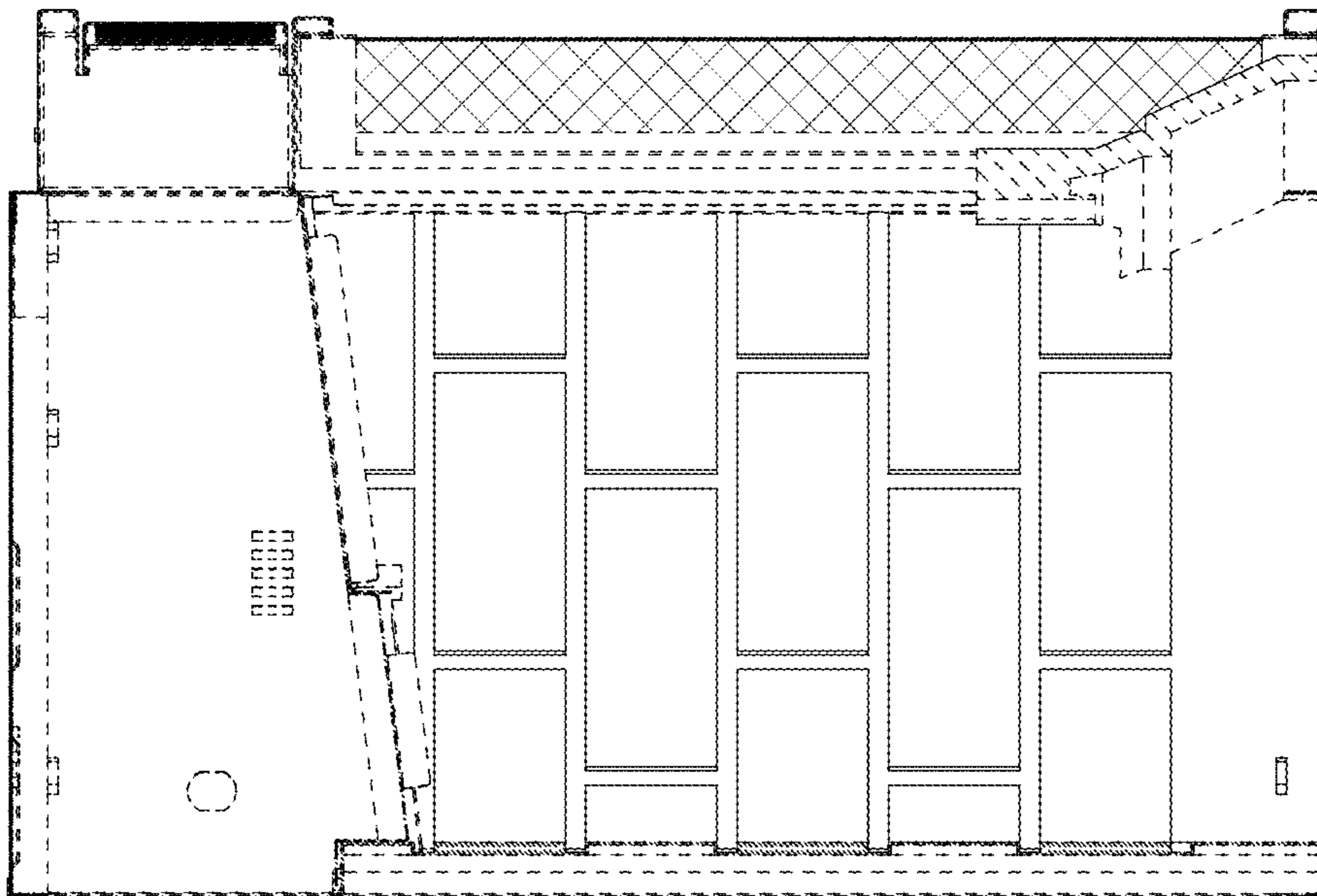


FIG. 10

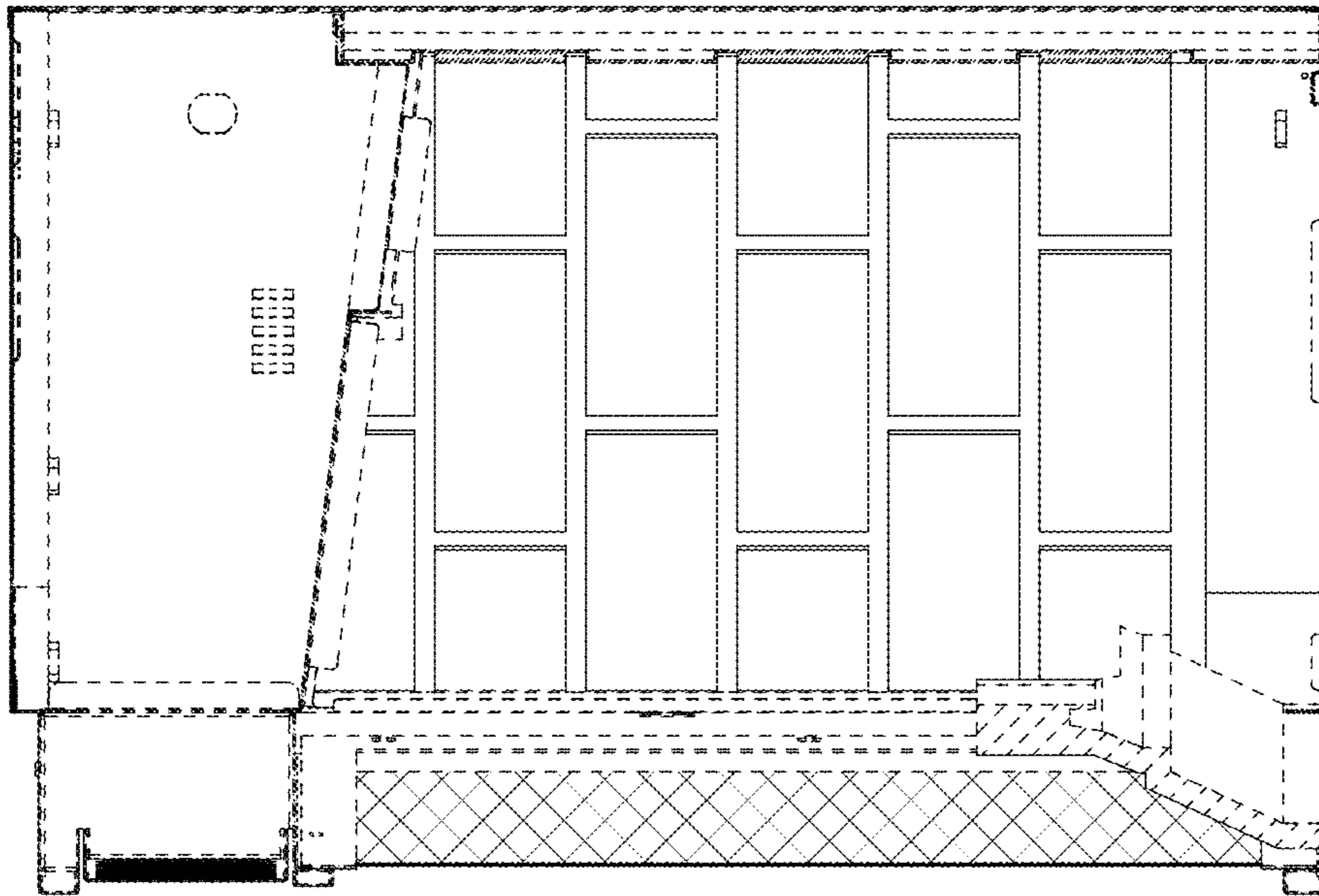


FIG. 11

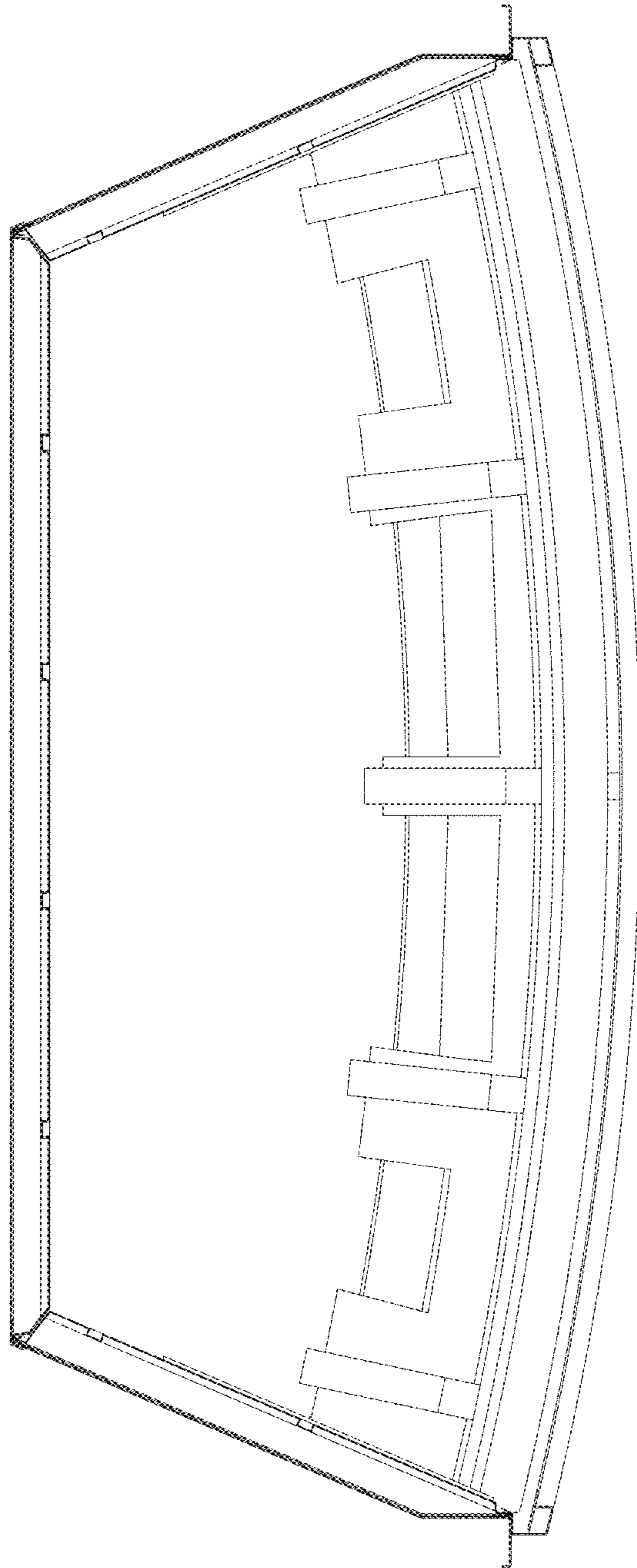


FIG. 12