



US00D906497S

(12) **United States Design Patent**
Huang

(10) **Patent No.:** **US D906,497 S**

(45) **Date of Patent:** **** Dec. 29, 2020**

(54) **HEATER**

(71) Applicant: **WELL TRAVELED IMPORTS, INC.**,
Amelia Island, FL (US)

(72) Inventor: **Xuefeng Huang**, Changzhou (CN)

(73) Assignee: **Well Traveled Imports, Inc.**, Amelia
Island, FL (US)

(**) Term: **15 Years**

(21) Appl. No.: **29/581,184**

(22) Filed: **Oct. 17, 2016**

(51) **LOC (12) Cl.** **23-03**

(52) **U.S. Cl.**
USPC **D23/336**

(58) **Field of Classification Search**
USPC D23/323, 328, 332, 336, 339, 342, 386,
D23/338, 314, 317, 335, 337, 340
CPC F24C 1/12; F24C 1/14; F24C 1/10; F24H
9/0073; F24H 9/0068; F24H 3/006; F23D
14/125; F23D 14/10; F23D 14/12; F23C
3/002; F23C 3/006; F23C 7/004
See application file for complete search history.

(56) **References Cited**

U.S. PATENT DOCUMENTS

4,679,545	A	7/1987	Cavestany	
4,984,981	A	1/1991	Pottebaum	
5,032,163	A	7/1991	Balestra	
D319,305	S	8/1991	Beavers et al.	
5,080,578	A	1/1992	Josephs et al.	
D325,963	S	5/1992	Anderson	
D410,536	S	6/1999	Willey et al.	
D417,492	S	12/1999	Willey et al.	
6,065,468	A	5/2000	Willey et al.	
6,138,666	A	10/2000	Hubbard	
6,338,319	B1	1/2002	Vago	
6,363,868	B1 *	4/2002	Boswell F23C 3/006 110/182.5

D465,836	S	11/2002	Smith et al.	
D470,932	S	2/2003	Smith et al.	
D486,567	S	2/2004	Sakai	
6,745,759	B2	6/2004	Bossler	
6,895,902	B2	5/2005	Kobayashi et al.	
6,907,875	B1	6/2005	Eastman, II et al.	
D532,501	S	11/2006	Giovino	
7,175,424	B2	2/2007	Frink et al.	
7,234,255	B2	6/2007	Peng et al.	
7,236,693	B2	6/2007	Haugom	
7,296,522	B1	11/2007	Hahmalii	
D567,916	S *	4/2008	McColgin D23/317
D594,949	S	6/2009	Wang	

(Continued)

FOREIGN PATENT DOCUMENTS

CN 204043050 12/2014

Primary Examiner — Ania Aman

(74) *Attorney, Agent, or Firm* — Lau & Associates LLC

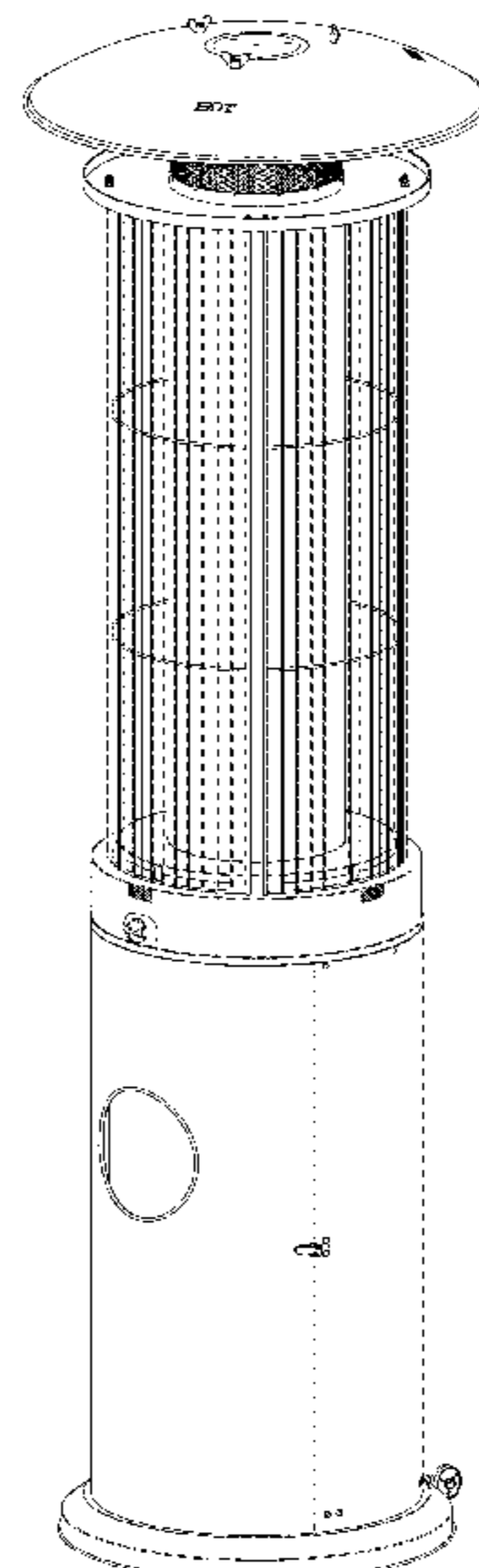
(57) **CLAIM**

The ornamental design for a heater, as shown and described.

DESCRIPTION

FIG. 1 is a perspective view of a heater with a cylindrical glass tube inside the shield guards;
 FIG. 2 is a front view of the heater with a cylindrical glass tube inside the shield guards;
 FIG. 3 is a front view of the heater with a cylindrical glass tube inside the shield guards and with its door open;
 FIG. 4 is a first side view of the heater with a cylindrical glass tube inside the shield guards;
 FIG. 5 is a rear view of the heater with a cylindrical glass tube inside the shield guards;
 FIG. 6 is a second side view of heater with a cylindrical glass tube inside the shield guards;
 FIG. 7 is a top view of the heater; and,
 FIG. 8 is a bottom view of the heater.

1 Claim, 8 Drawing Sheets



(56)

References Cited

U.S. PATENT DOCUMENTS

D619,231	S	7/2010	Yeung	
D634,412	S	3/2011	Boldsen	
D639,919	S	6/2011	Yu	
D640,355	S	6/2011	Yu	
7,974,526	B2	7/2011	Chu	
D669,974	S	10/2012	McNeal	
8,312,872	B2	11/2012	Park et al.	
8,540,509	B1	9/2013	Cantal	
8,542,987	B2 *	9/2013	Yen	F24H 3/00 126/110 B
8,613,277	B2	12/2013	Hall, Jr. et al.	
8,677,988	B2	3/2014	Jin	
8,776,777	B2	7/2014	Jin et al.	
8,863,673	B2	10/2014	Diepenbrock	
D718,850	S	12/2014	Stokke	
D727,484	S	4/2015	Yang	
D754,309	S	4/2016	Yang	
D756,496	S	5/2016	Wang	
D760,880	S	7/2016	Jenkins	
9,404,671	B2	8/2016	Liang	
2007/0101983	A1 *	5/2007	Yao	F24C 1/14 126/92 B
2014/0305428	A1 *	10/2014	Liang	F24H 9/0073 126/91 A
2015/0354817	A1 *	12/2015	Fuller	F24H 9/0068 126/75
2016/0230985	A1 *	8/2016	Home	F23D 14/145
2016/0348915	A1 *	12/2016	Yang	F24C 1/12

* cited by examiner

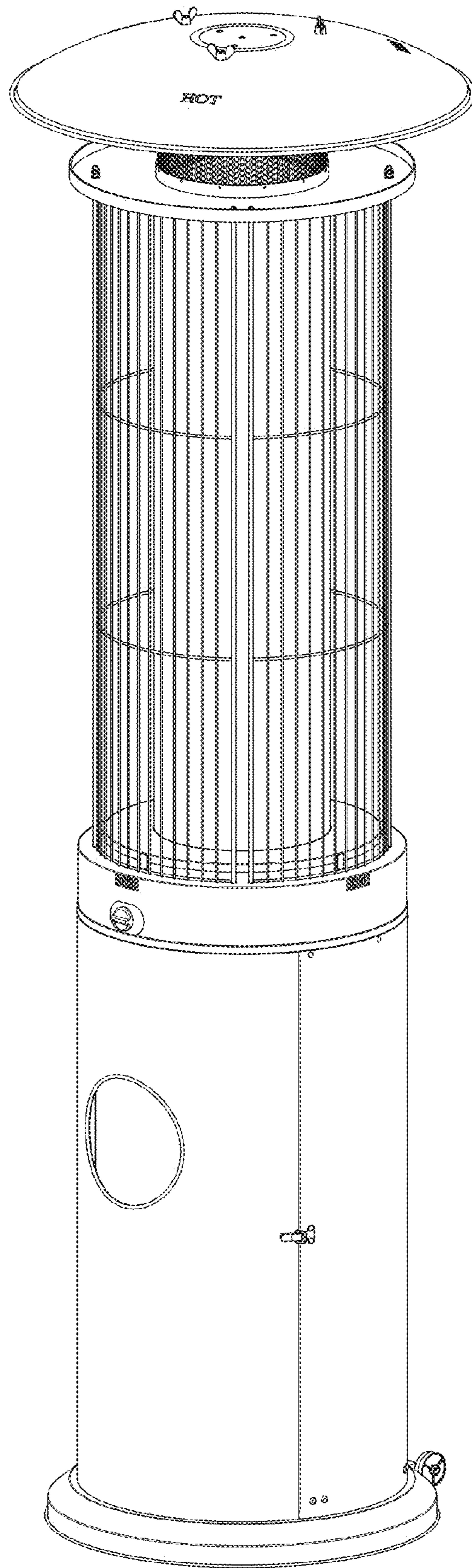


FIG.1

-REPLACEMENT SHEET-

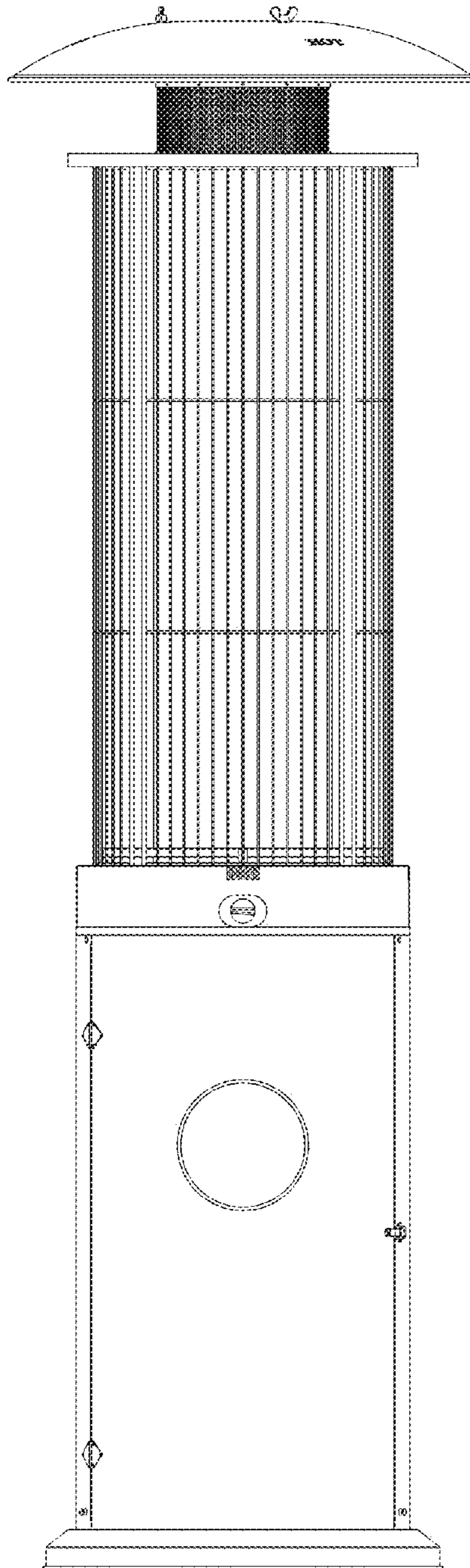


FIG. 2

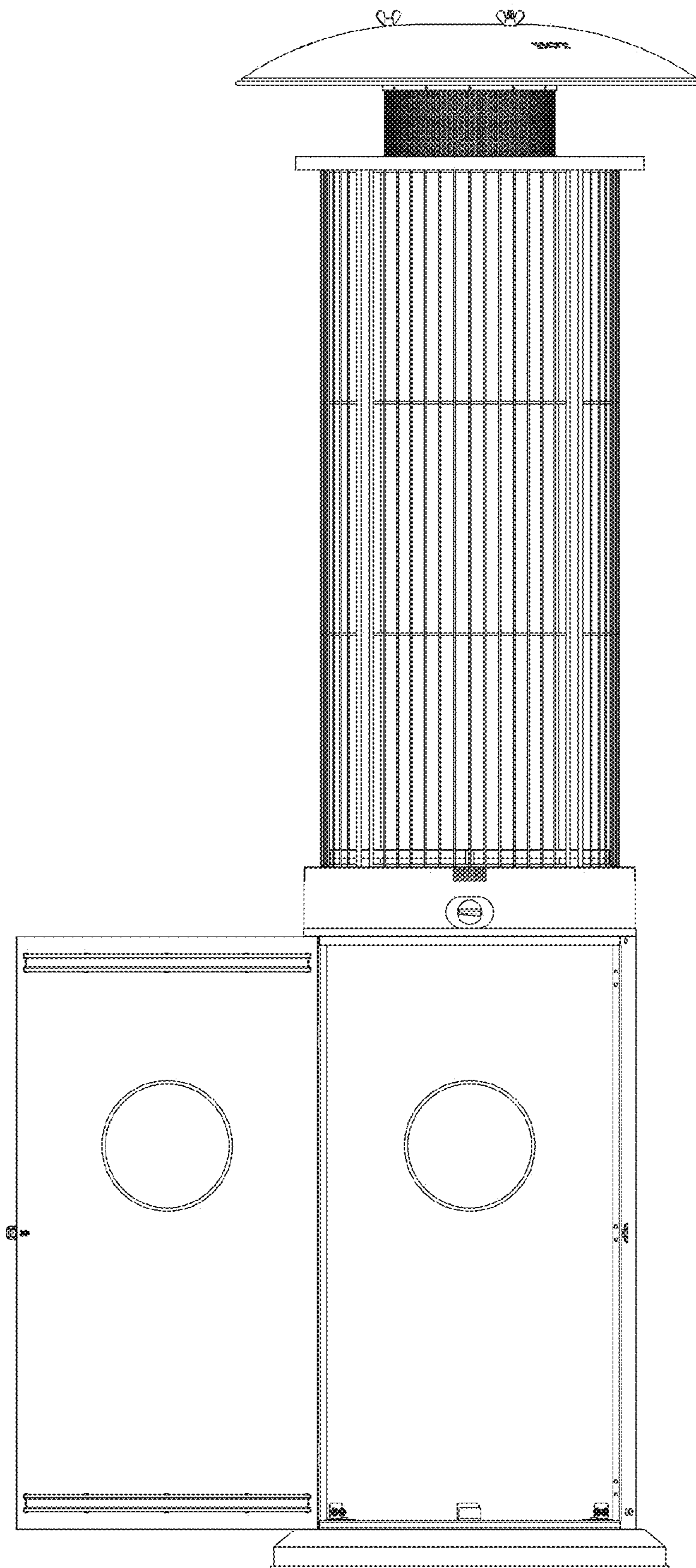


FIG.3

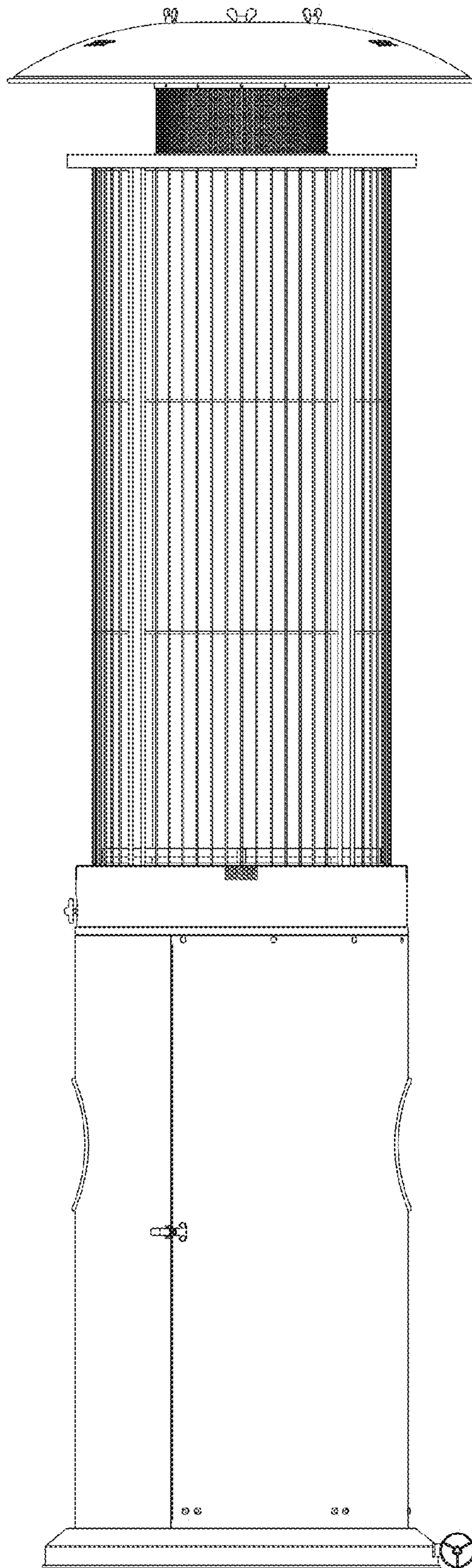


FIG.4

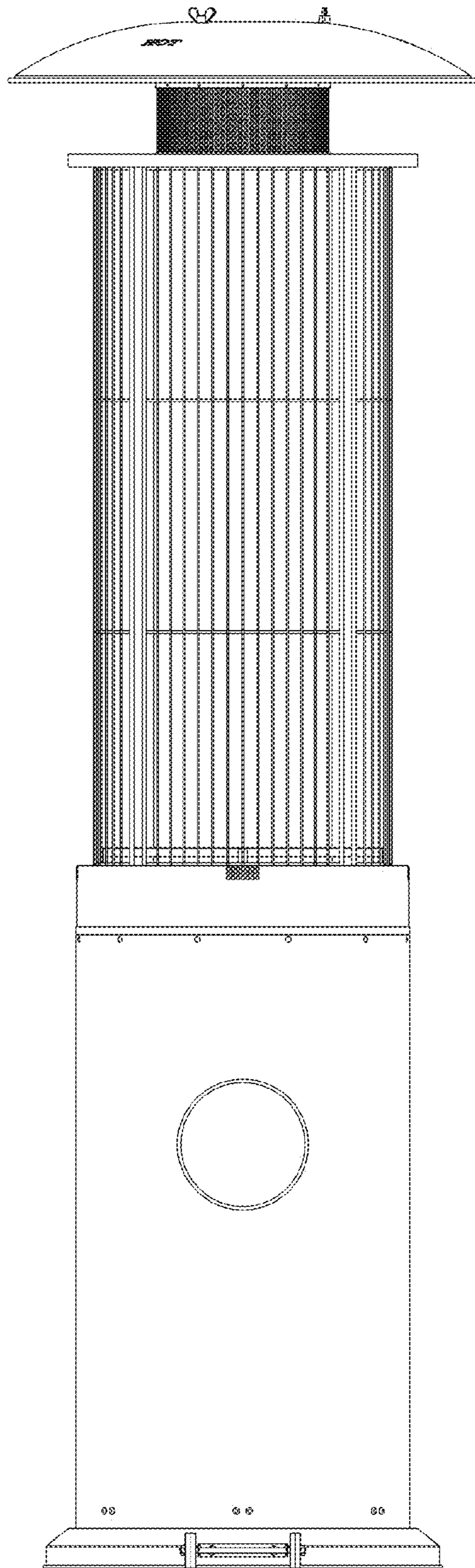


FIG.5

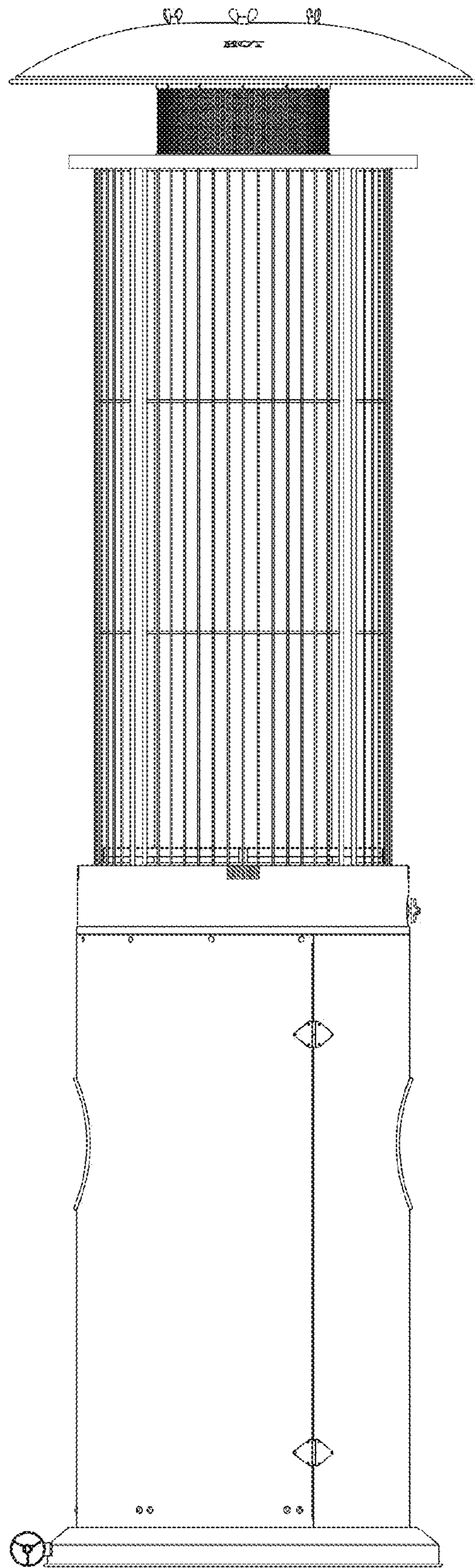


FIG.6

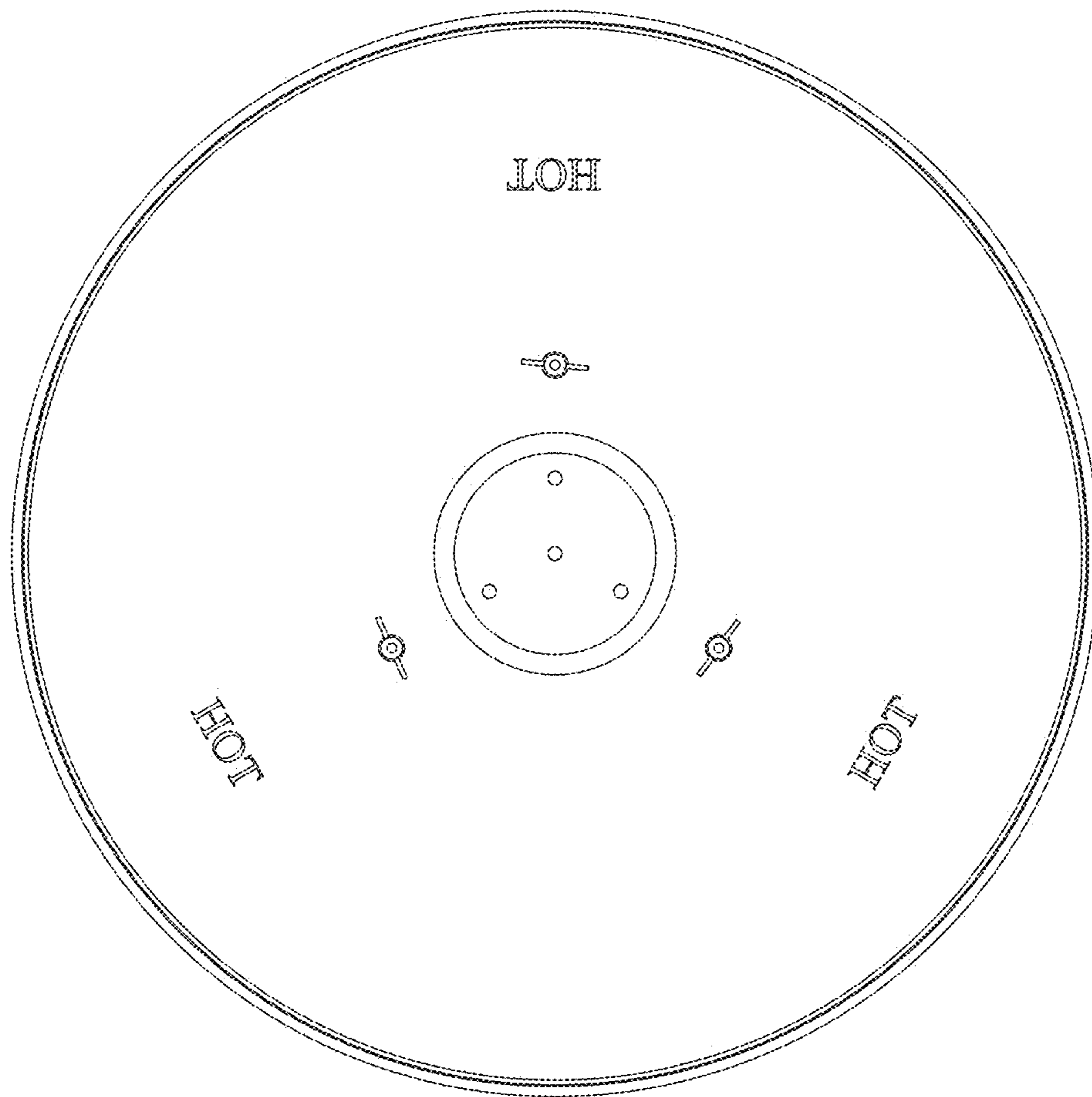


FIG.7

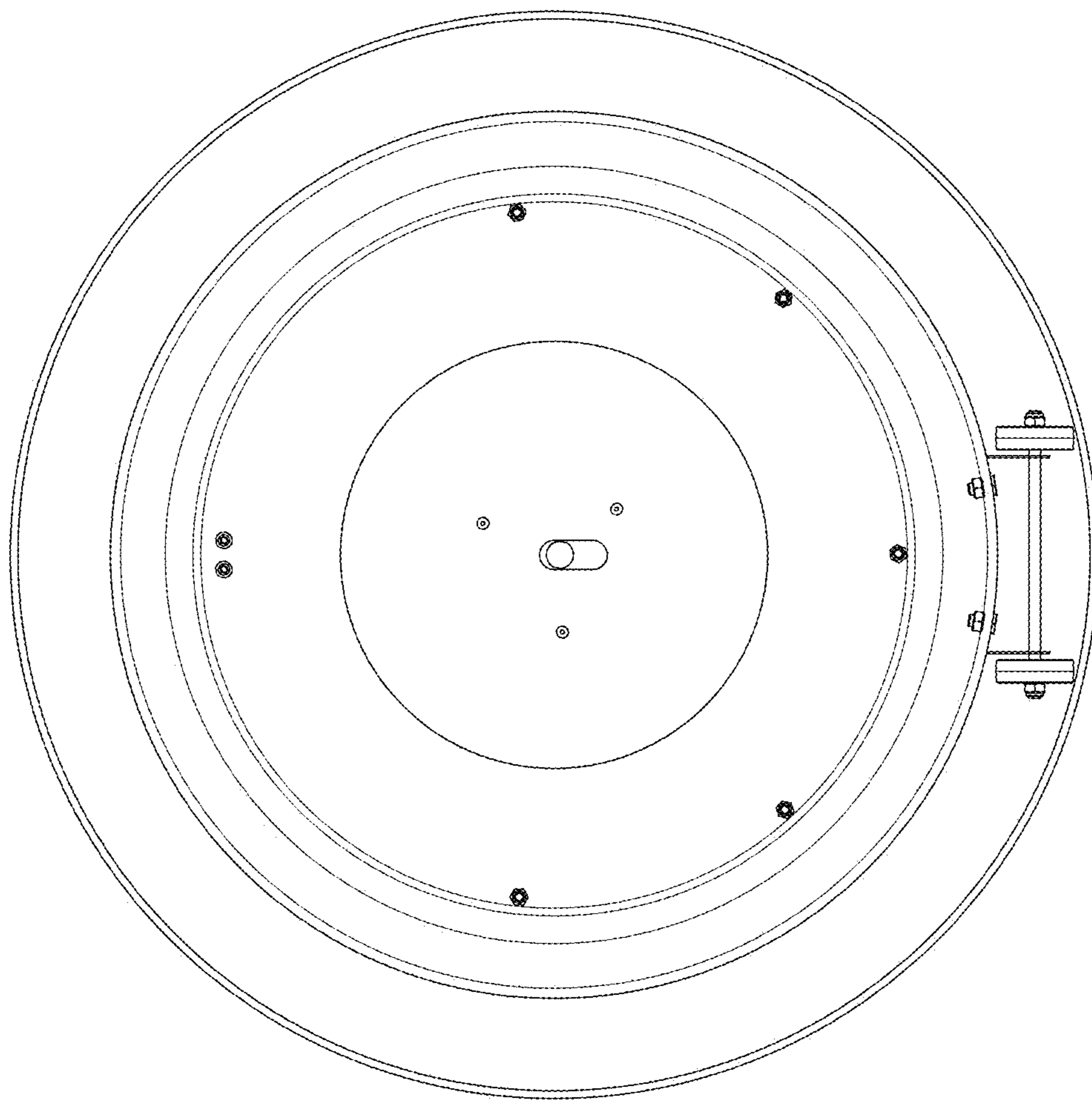


FIG.8