

US00D906496S

(12) **United States Design Patent** (10) **Patent No.:** **US D906,496 S**
Leung et al. (45) **Date of Patent:** **** Dec. 29, 2020**

(54) **WATER HEATER VENTING ASSEMBLY**

(71) Applicant: **IPEX TECHNOLOGIES INC.,**
Oakville (CA)

(72) Inventors: **Martin Kwan Yu Leung,** Oakville
(CA); **Ivan Lee Stiehl,** Burlington (CA)

(73) Assignee: **IPEX TECHNOLOGIES INC.,**
Mississauga (CA)

(**) Term: **15 Years**

(21) Appl. No.: **29/693,171**

(22) Filed: **May 31, 2019**

(30) **Foreign Application Priority Data**

May 8, 2019 (CA) 187494

(51) **LOC (12) Cl.** **23-03**

(52) **U.S. Cl.**
USPC **D23/322**

(58) **Field of Classification Search**
USPC D23/314, 317, 318, 319, 320, 321, 322,
D23/323, 341
CPC . F24H 1/10; F24H 9/2028; F24H 9/02; F24H
9/128; F24H 9/2021; F24H 9/2007; F24H
9/0005; F24H 4/00; F24H 2/142; F24H
9/2071; F24H 9/2064; F24H 1/06; F24H
1/205; F23J 13/04; F23J 11/00
See application file for complete search history.

(56) **References Cited**

U.S. PATENT DOCUMENTS

1,408,375	A	2/1922	Manelis	
4,940,042	A	7/1990	Moore, Jr. et al.	
6,767,001	B2	7/2004	Anderson	
7,013,841	B1 *	3/2006	Boros F24H 1/205 122/14.1
7,074,121	B2	7/2006	Zhou et al.	
8,628,305	B2	1/2014	Leu et al.	

8,851,022	B2	10/2014	Jacques et al.	
8,881,688	B2	11/2014	English et al.	
9,068,767	B2	6/2015	Lesage et al.	
9,506,662	B2	11/2016	Cimberio et al.	
10,088,156	B2	10/2018	Leung et al.	
2010/0303646	A1 *	12/2010	Garrett F04D 29/441 417/321
2013/0074786	A1 *	3/2013	Lesage F24H 9/0084 122/17.1
2014/0137851	A1	5/2014	Branecy	
2017/0356646	A1	12/2017	Leung et al.	
2017/0363323	A1	12/2017	Post et al.	
2017/0363324	A1	12/2017	Post et al.	
2019/0041092	A1 *	2/2019	Niu F24H 9/126

FOREIGN PATENT DOCUMENTS

CA	2932993	A1	12/2017
JP	H01-305218	A	8/1989

* cited by examiner

Primary Examiner — Ania Aman

(57) **CLAIM**

We claim the ornamental design for a water heater venting assembly, as shown and described.

DESCRIPTION

FIG. 1 is a front perspective view of a water heater venting assembly showing the new design;
 FIG. 2 is a first side view of the design shown in FIG. 1;
 FIG. 3 is a second side view of the design shown in FIG. 1;
 FIG. 4 is a front view of the design shown in FIG. 1;
 FIG. 5 is a rear view of the design shown in FIG. 1;
 FIG. 6 is a top view of the design shown in FIG. 1; and,
 FIG. 7 is a bottom view of the design shown in FIG. 1.
 The broken lines are for the purpose of illustrating environment only and form no part of the claimed design.

1 Claim, 4 Drawing Sheets

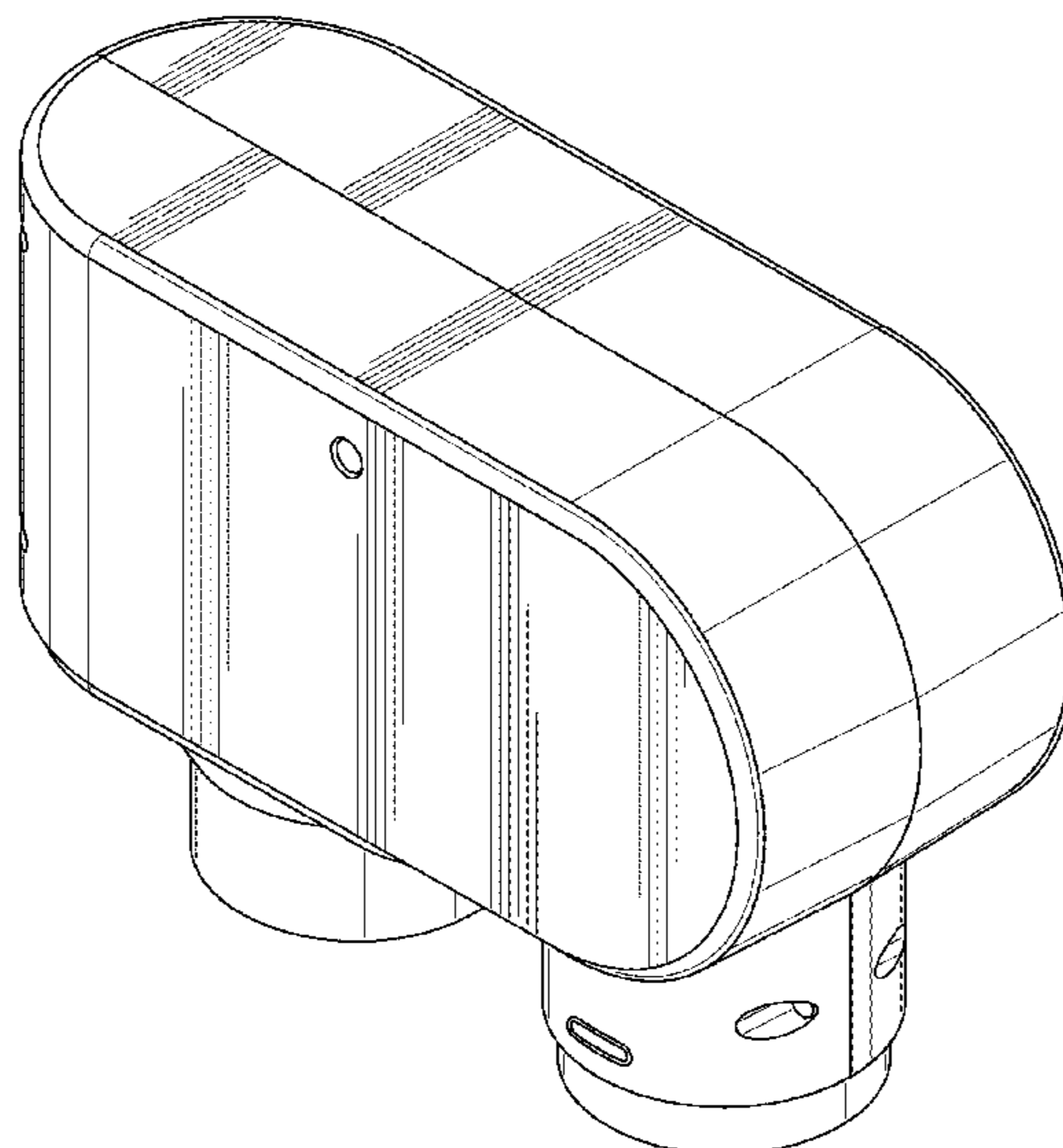


Fig. 1

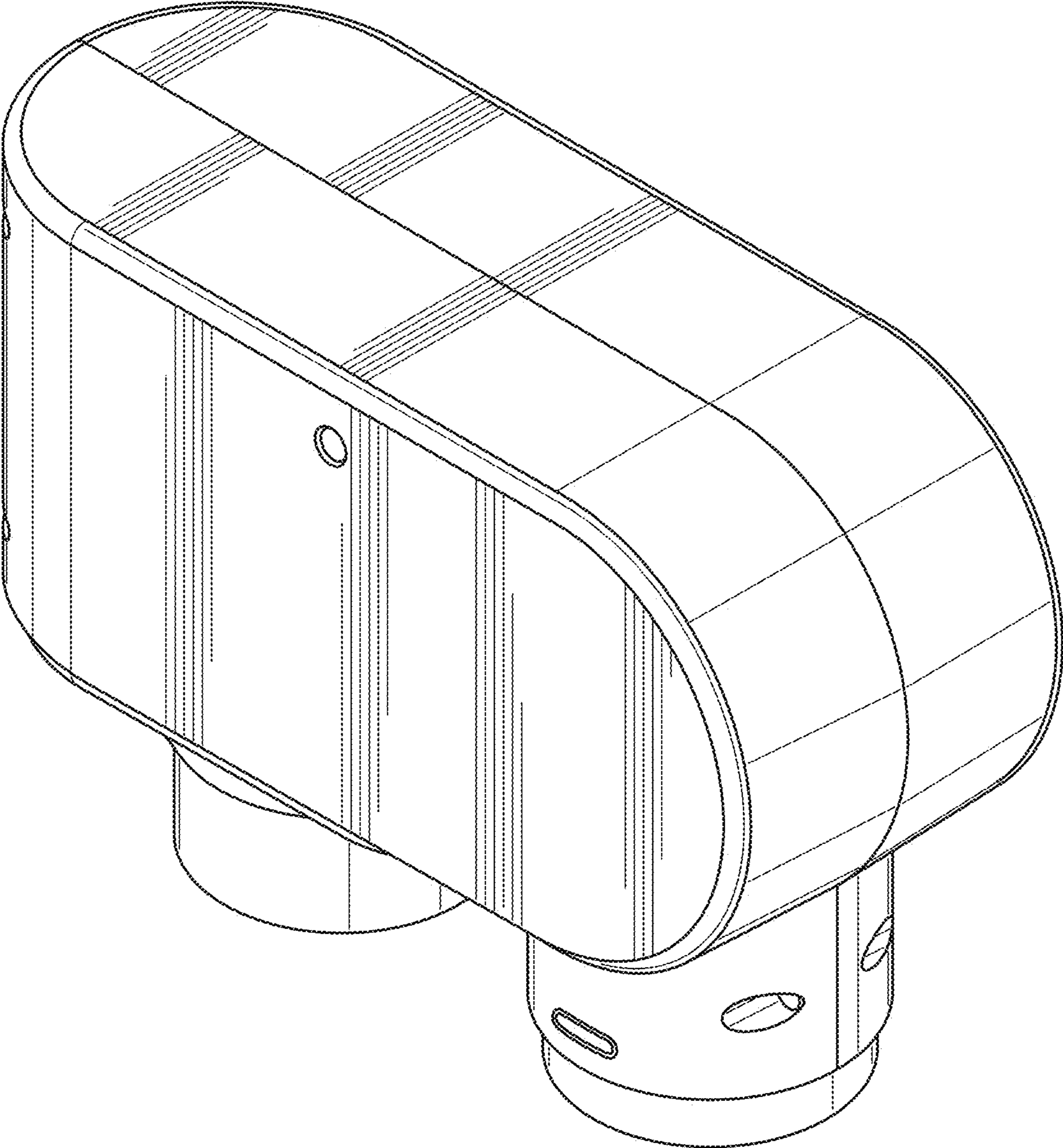


Fig. 2

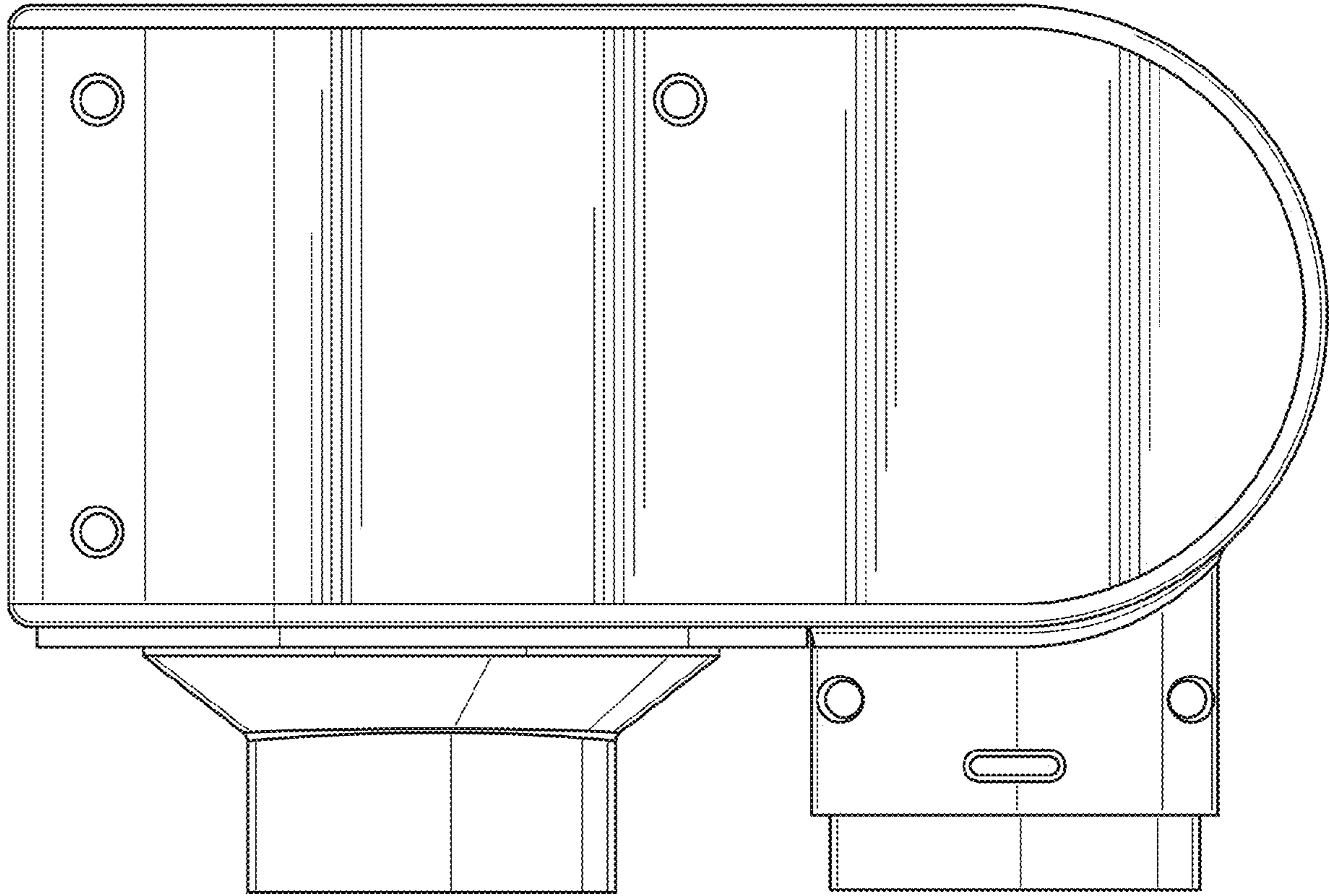


Fig. 3

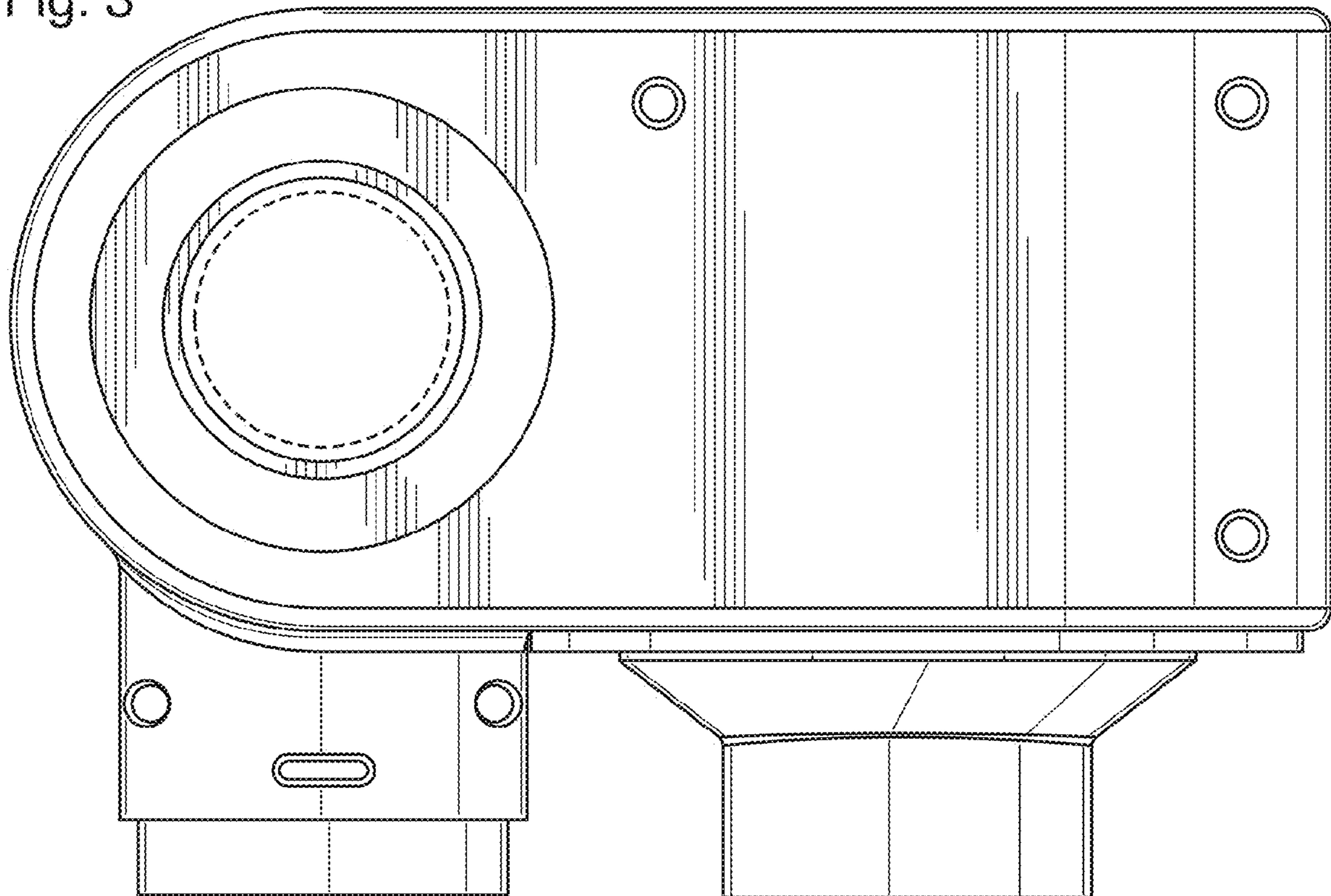


Fig. 4

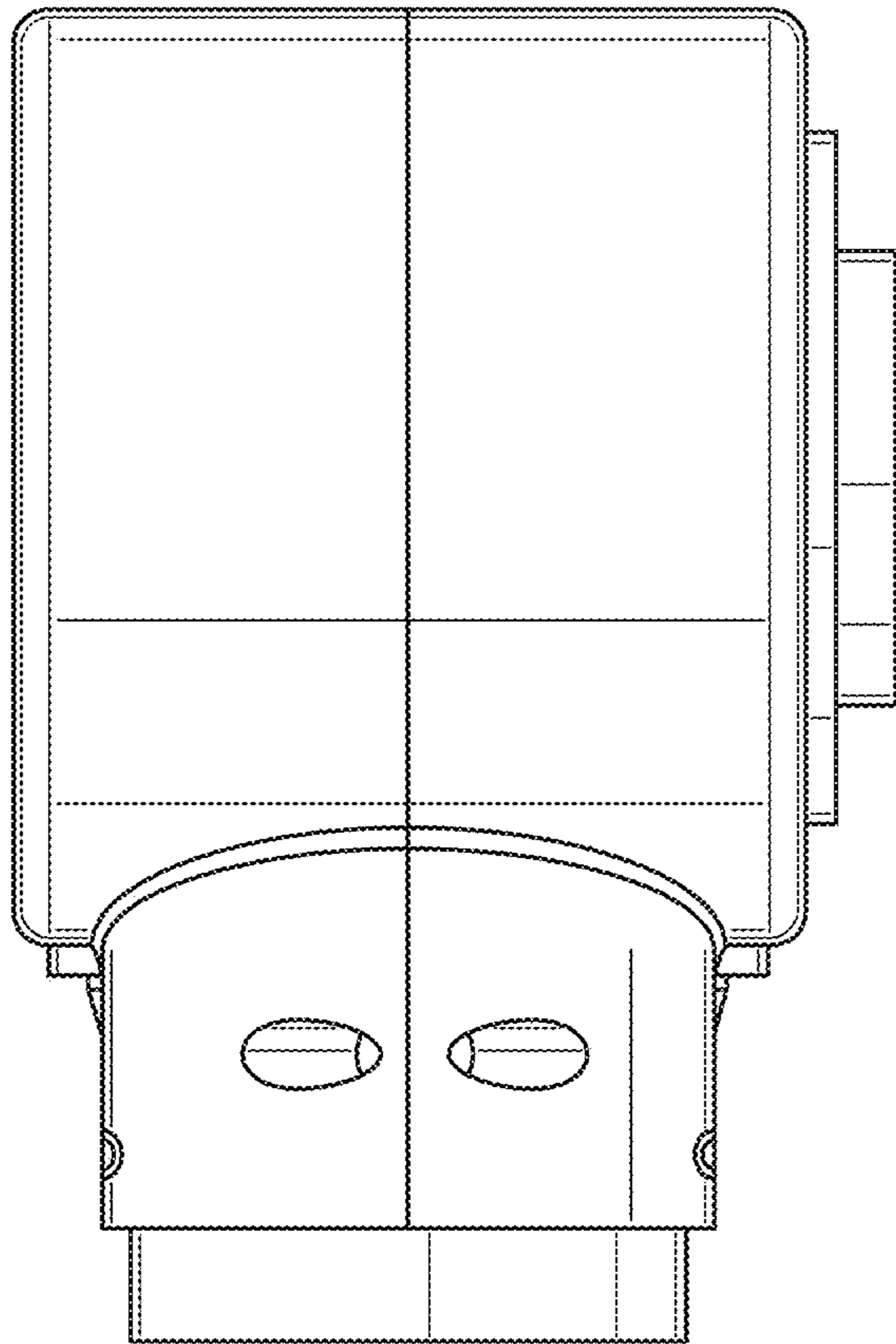


Fig. 5

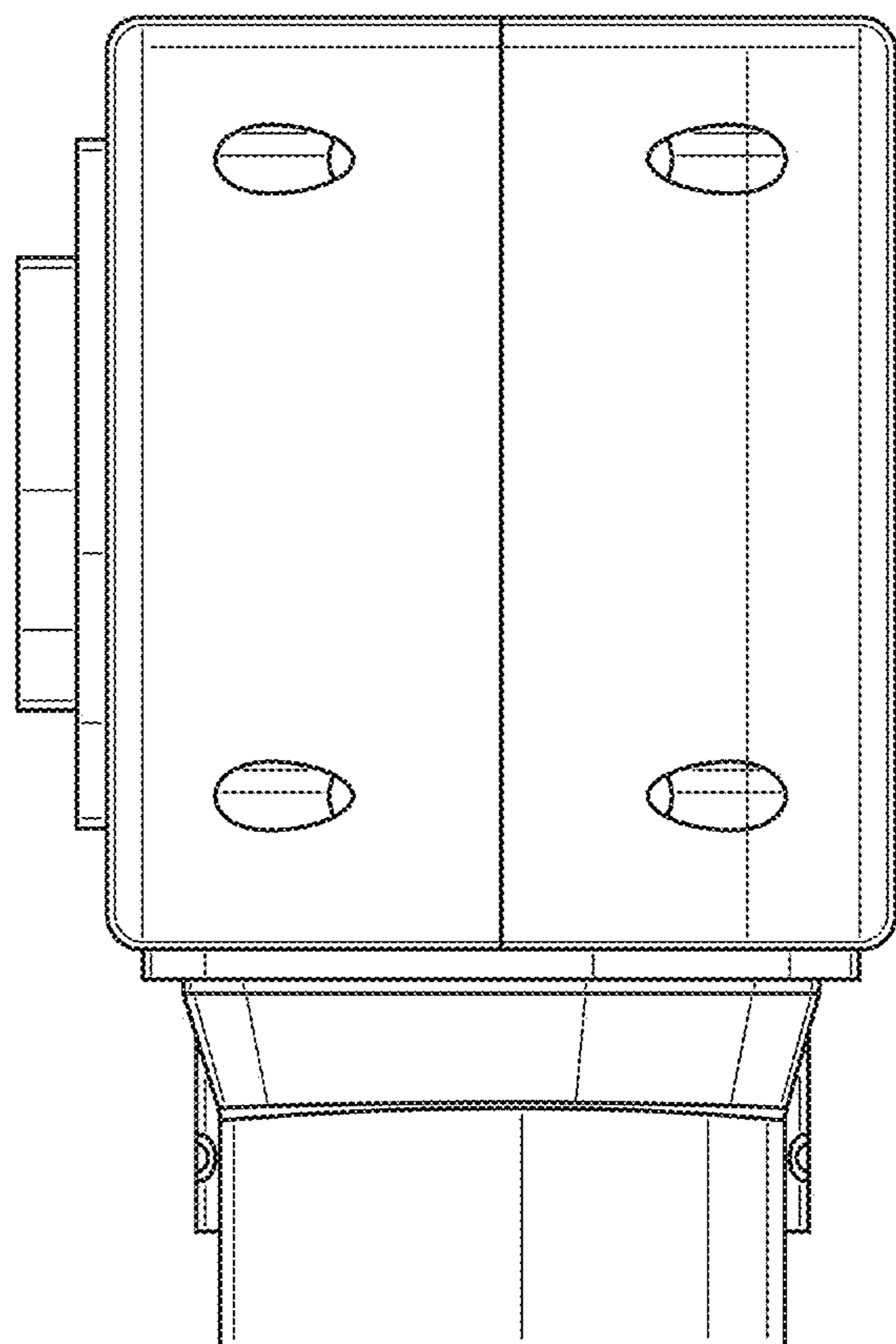


Fig. 6

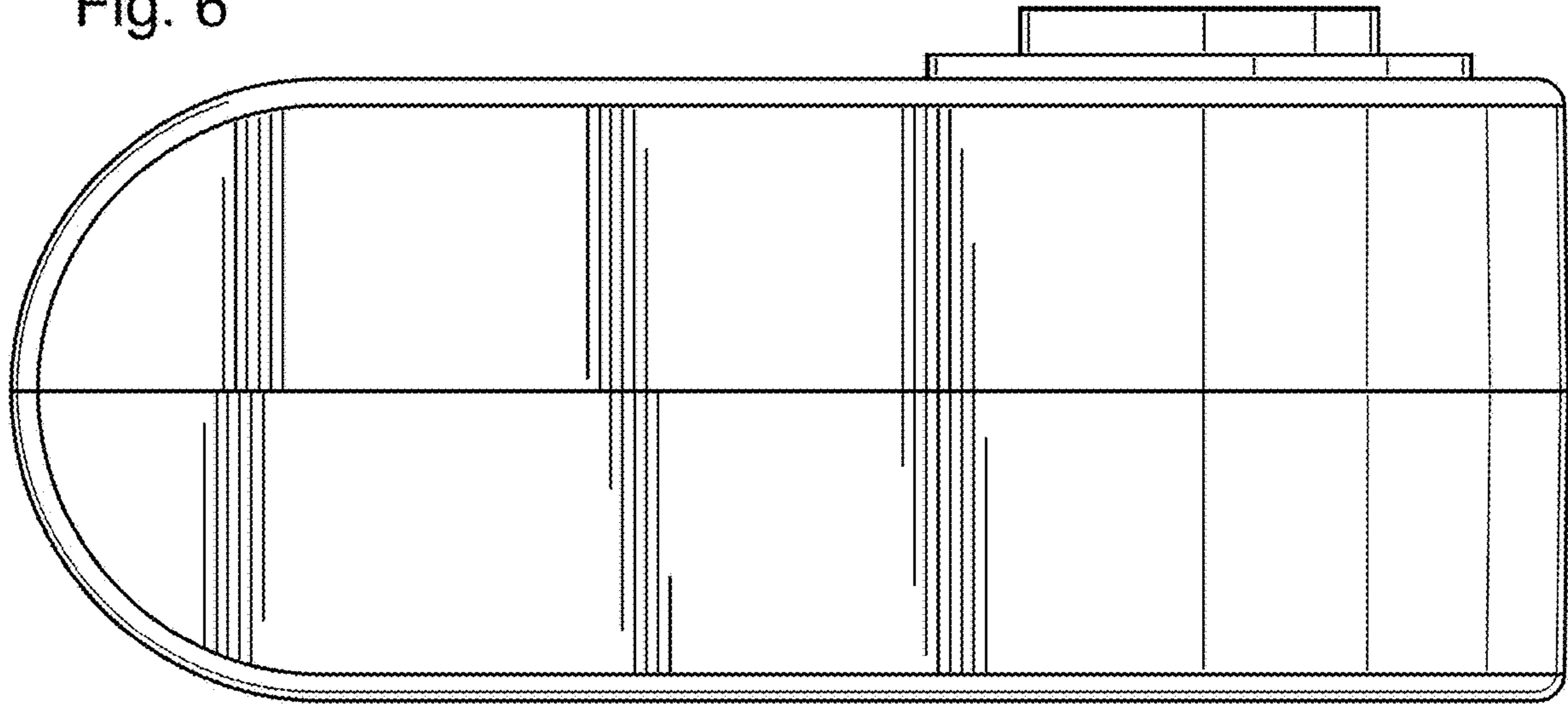


Fig. 7

