



US00D906495S

(12) **United States Design Patent**
Huang

(10) **Patent No.:** **US D906,495 S**

(45) **Date of Patent:** **** *Dec. 29, 2020**

(54) **TOILET SEAT COVER**

(71) Applicant: **Lihua Huang**, Foshan (CN)

(72) Inventor: **Lihua Huang**, Foshan (CN)

(*) Notice: This patent is subject to a terminal disclaimer.

(**) Term: **15 Years**

(21) Appl. No.: **29/712,296**

(22) Filed: **Nov. 7, 2019**

(51) **LOC (12) Cl.** **23-02**

(52) **U.S. Cl.**
USPC **D23/311**

(58) **Field of Classification Search**
USPC D23/309, 311-312
CPC A47K 13/00; A47K 13/005; A47K 13/02;
A47K 13/04; A47K 13/14; A47K 13/16;
A47K 13/18
See application file for complete search history.

(56) **References Cited**

U.S. PATENT DOCUMENTS

- 6,851,131 B1 * 2/2005 Adams A47K 13/14
4/245.1
- 7,247,360 B1 * 7/2007 Besner A47K 13/16
4/245.1
- D621,919 S * 8/2010 Sayre D23/311
- D638,921 S * 5/2011 Bullington D23/311

- D653,319 S * 1/2012 Eaddy D23/311
- D680,203 S * 4/2013 Kerney D23/311
- D734,443 S * 7/2015 Gates D23/311
- D831,179 S * 10/2018 Kelly D23/311
- 2012/0246811 A1 * 10/2012 Sayre A47K 13/16
4/245.1
- 2015/0265126 A1 * 9/2015 Brown A47K 13/16
134/6

* cited by examiner

Primary Examiner — Robert A Delehanty

(74) *Attorney, Agent, or Firm* — Xu Li

(57) **CLAIM**

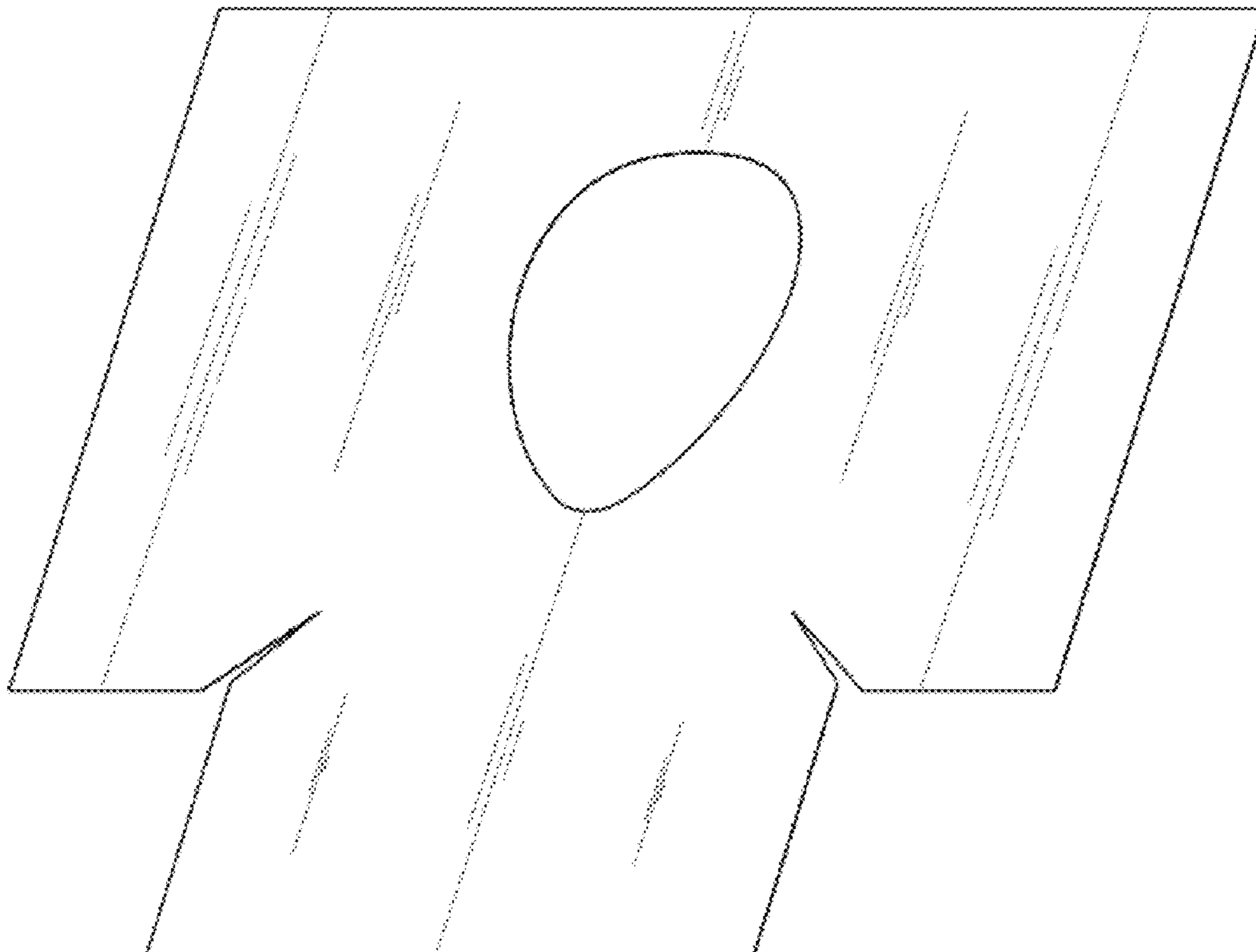
The ornamental design for a toilet seat cover, as shown and described.

DESCRIPTION

FIG. 1 is a perspective view illustrating the new design for a toilet seat cover;
FIG. 2 is a front elevation view thereof;
FIG. 3 is a back elevation view thereof;
FIG. 4 is a left elevation view thereof;
FIG. 5 is a right elevation view thereof;
FIG. 6 is a top elevation view thereof;
FIG. 7 is a bottom elevation view thereof; and,
FIG. 8 is a perspective view of the toilet seat cover being used.

The broken lines shown in FIG. 8 of the drawing views represent a toilet bowl and form no part of the claimed design.

1 Claim, 8 Drawing Sheets



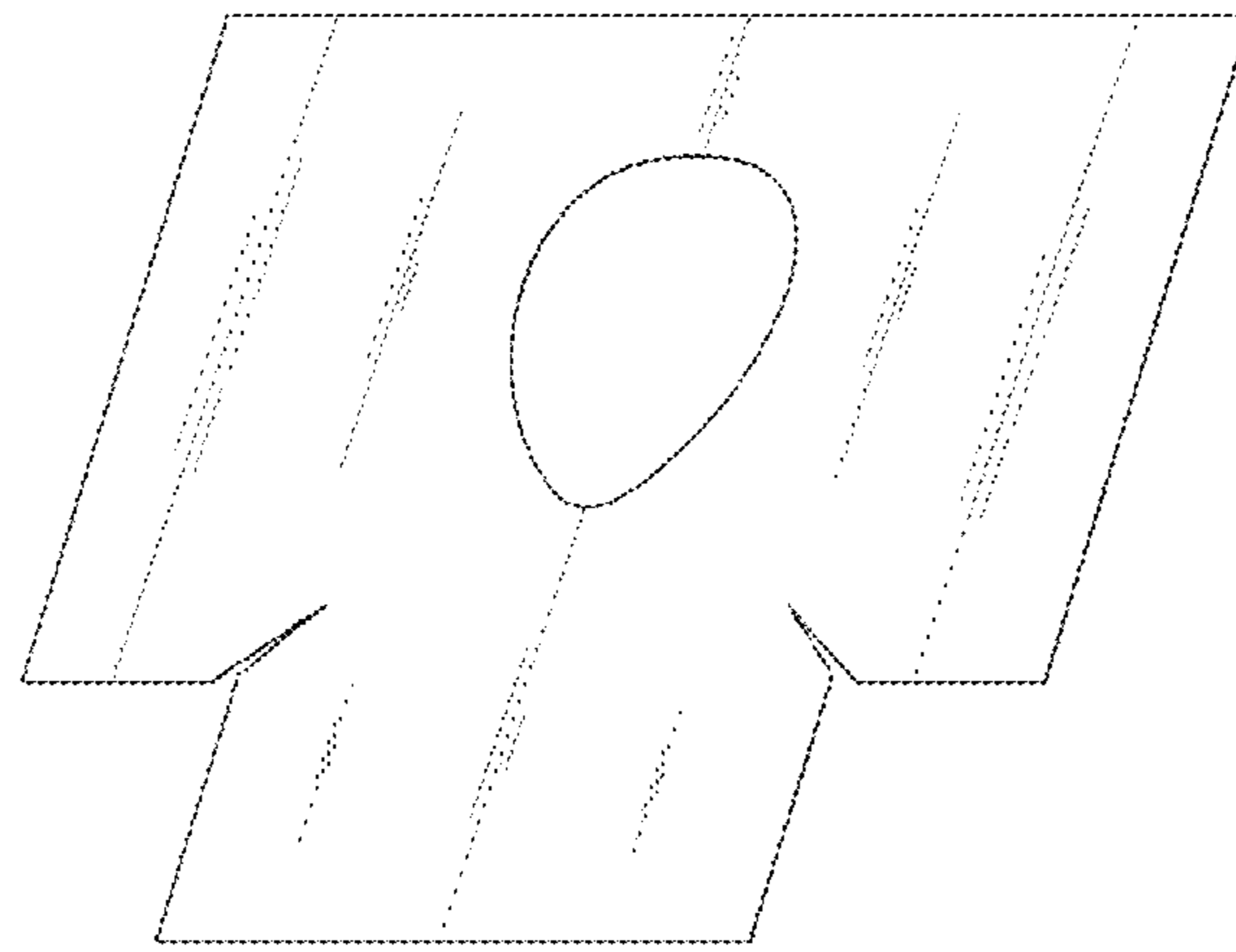


FIG. 1

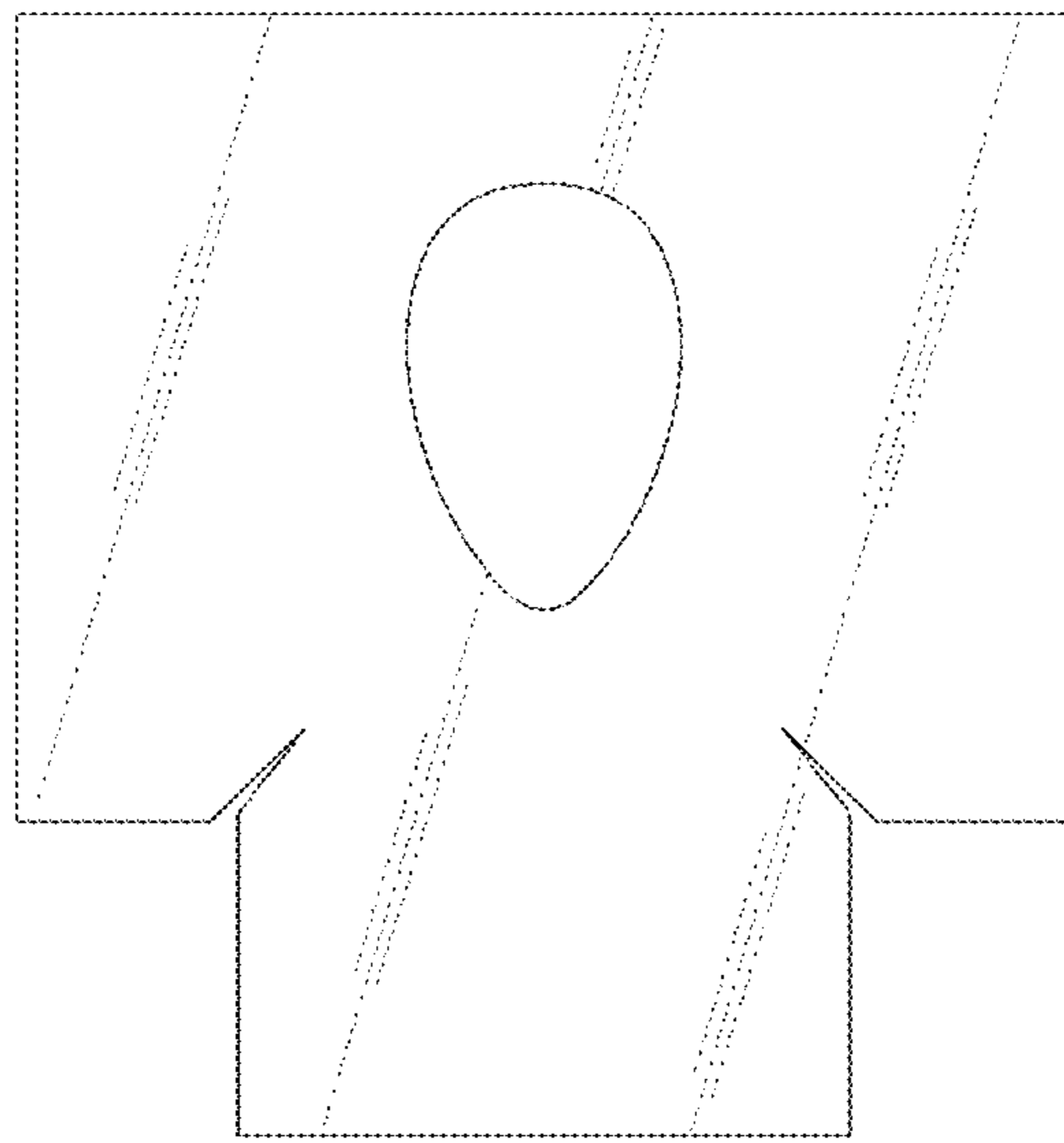


FIG. 2

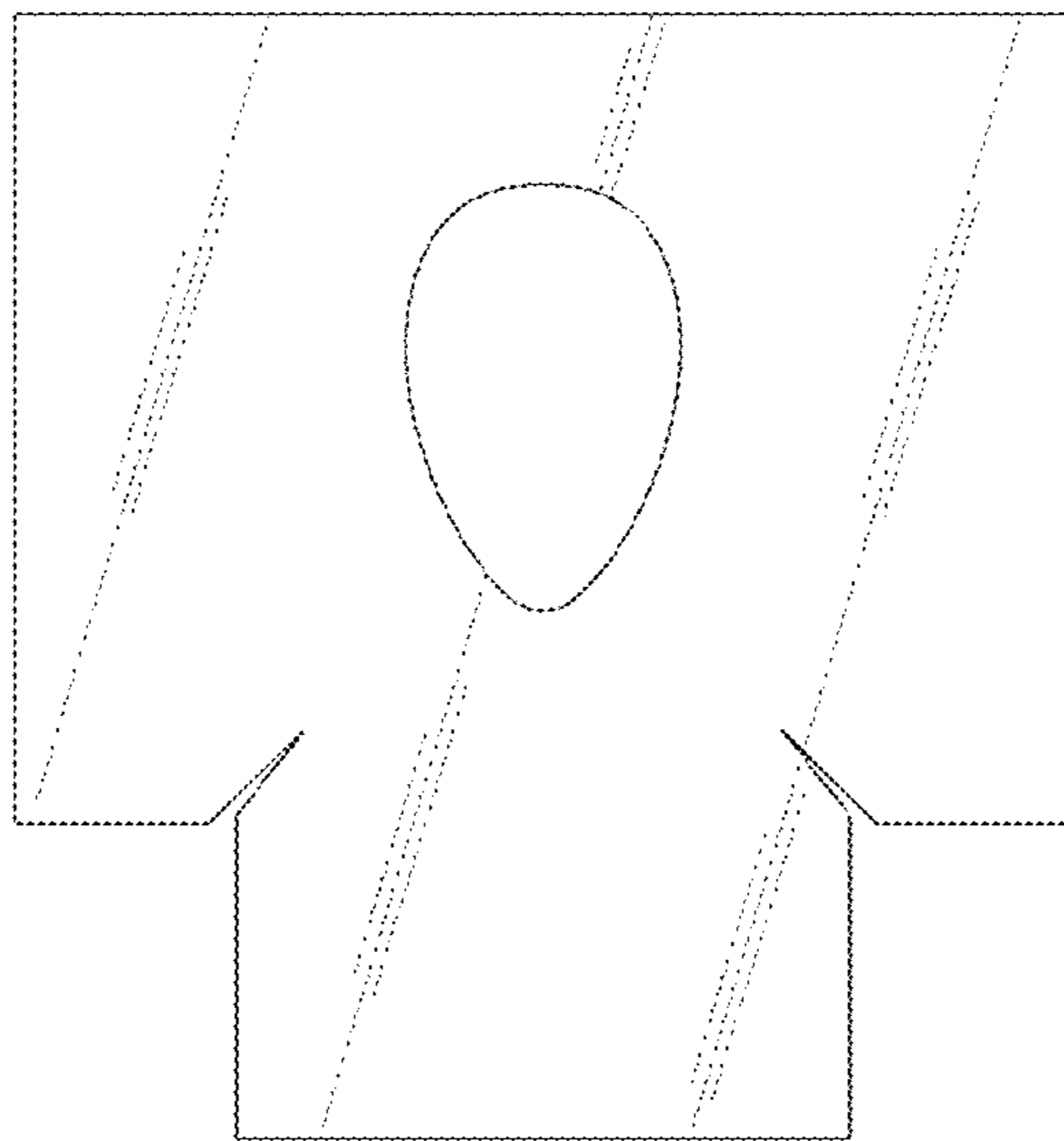


FIG. 3



FIG. 4

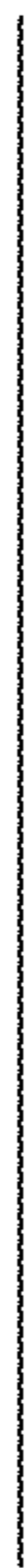


FIG. 5

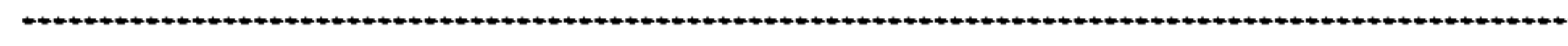


FIG. 6

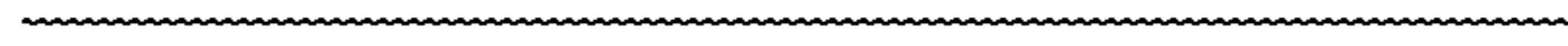


FIG. 7

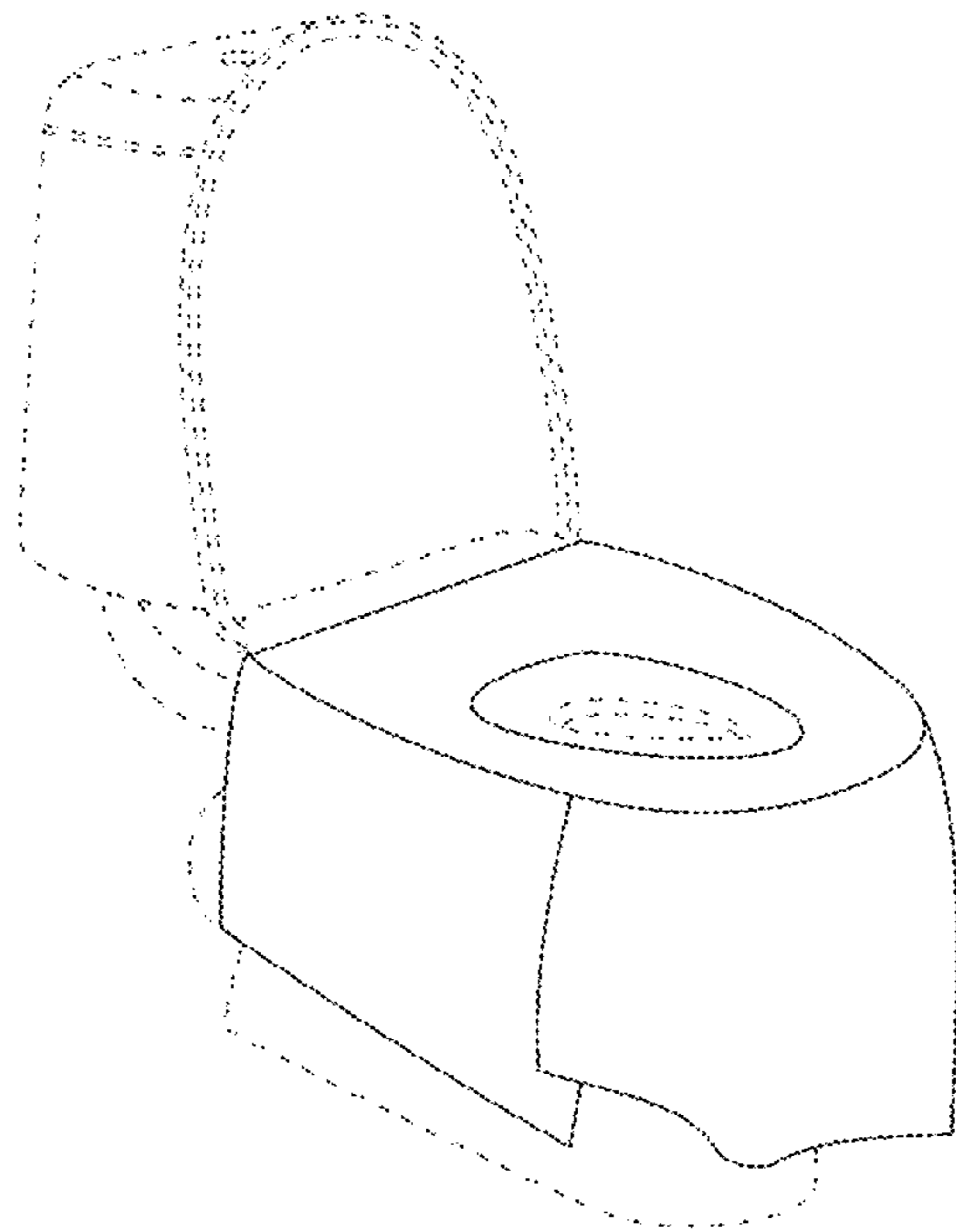


FIG. 8