



US00D906493S

(12) **United States Design Patent**
Uceda

(10) **Patent No.:** **US D906,493 S**
(45) **Date of Patent:** **** Dec. 29, 2020**

- (54) **TOILET**
- (71) Applicant: **Kohler Co.**, Kohler, WI (US)
- (72) Inventor: **Carlos F. Uceda**, Sheboygan, WI (US)
- (73) Assignee: **Kohler Co.**, Kohler, WI (US)
- (**) Term: **15 Years**
- (21) Appl. No.: **29/729,901**
- (22) Filed: **Mar. 31, 2020**

- D471,621 S 3/2003 Bennie
- D531,714 S 11/2006 Soulier
- D541,915 S 5/2007 Bates
- D608,430 S 1/2010 Slothower et al.
- D637,703 S 5/2011 Corpuz et al.
- D662,575 S 6/2012 Corpuz et al.
- D759,796 S 6/2016 Bates
- D829,871 S 10/2018 Garrels et al.
- D863,517 S 10/2019 Garrels et al.
- 10,485,390 B2 11/2019 Murphy et al.

Primary Examiner — Robert A Delehanty
(74) *Attorney, Agent, or Firm* — Lempia Summerfield Katz LLC

Related U.S. Application Data

- (62) Division of application No. 29/671,264, filed on Nov. 26, 2018, now Pat. No. Des. 892,992.
- (51) **LOC (12) Cl.** **23-02**
- (52) **U.S. Cl.**
USPC **D23/301**
- (58) **Field of Classification Search**
USPC D23/295, 301, 303, 310, 313
CPC A47K 11/00
See application file for complete search history.

(57) **CLAIM**

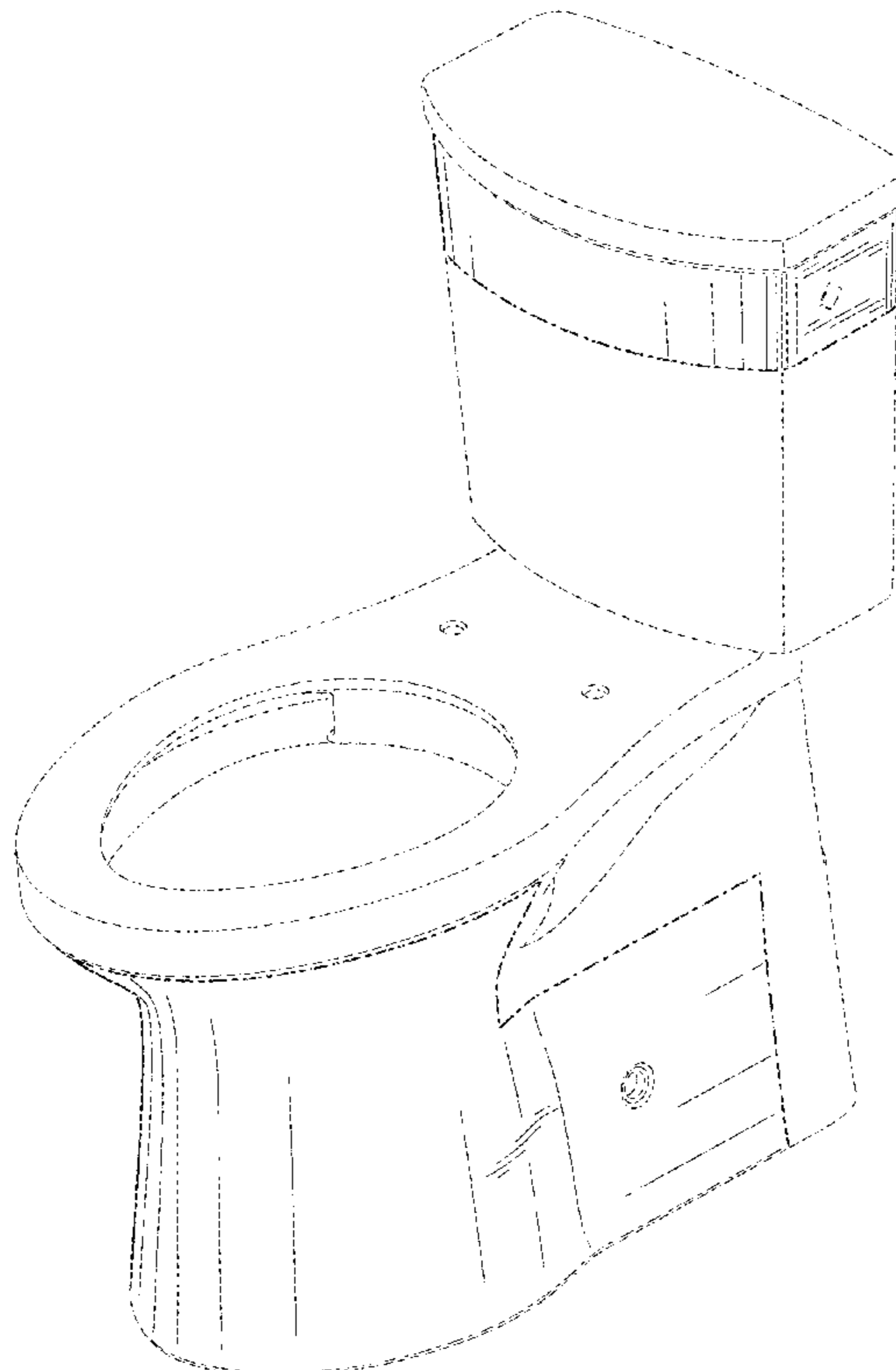
I claim the ornamental design for a toilet, as shown and described.

DESCRIPTION

FIG. 1 is a perspective view of an embodiment of the claimed design;
FIG. 2 is a front view of the embodiment of FIG. 1;
FIG. 3 is a rear view of the embodiment of FIG. 1;
FIG. 4 is a side view of the embodiment of FIG. 1;
FIG. 5 is another side view of the embodiment of FIG. 1;
FIG. 6 is a top view of the embodiment of FIG. 1; and,
FIG. 7 is a bottom view of the embodiment of FIG. 1.
The ornamental design which is claimed is shown in solid lines in the drawings. The broken lines in the drawings are for illustrative purposes only and form no part of the claimed design. Broken lines formed of unequal length dashes (i.e., dash-dot) define bounds of the claimed design.

- (56) **References Cited**
U.S. PATENT DOCUMENTS
- D298,565 S 11/1988 Kohler, Jr.
- D323,381 S 1/1992 McKeone et al.
- D349,953 S 8/1994 Kohler, Jr. et al.
- D379,217 S 8/1994 Spencer
- D390,934 S 2/1998 McKeone
- D440,643 S 4/2001 McKeone

1 Claim, 7 Drawing Sheets



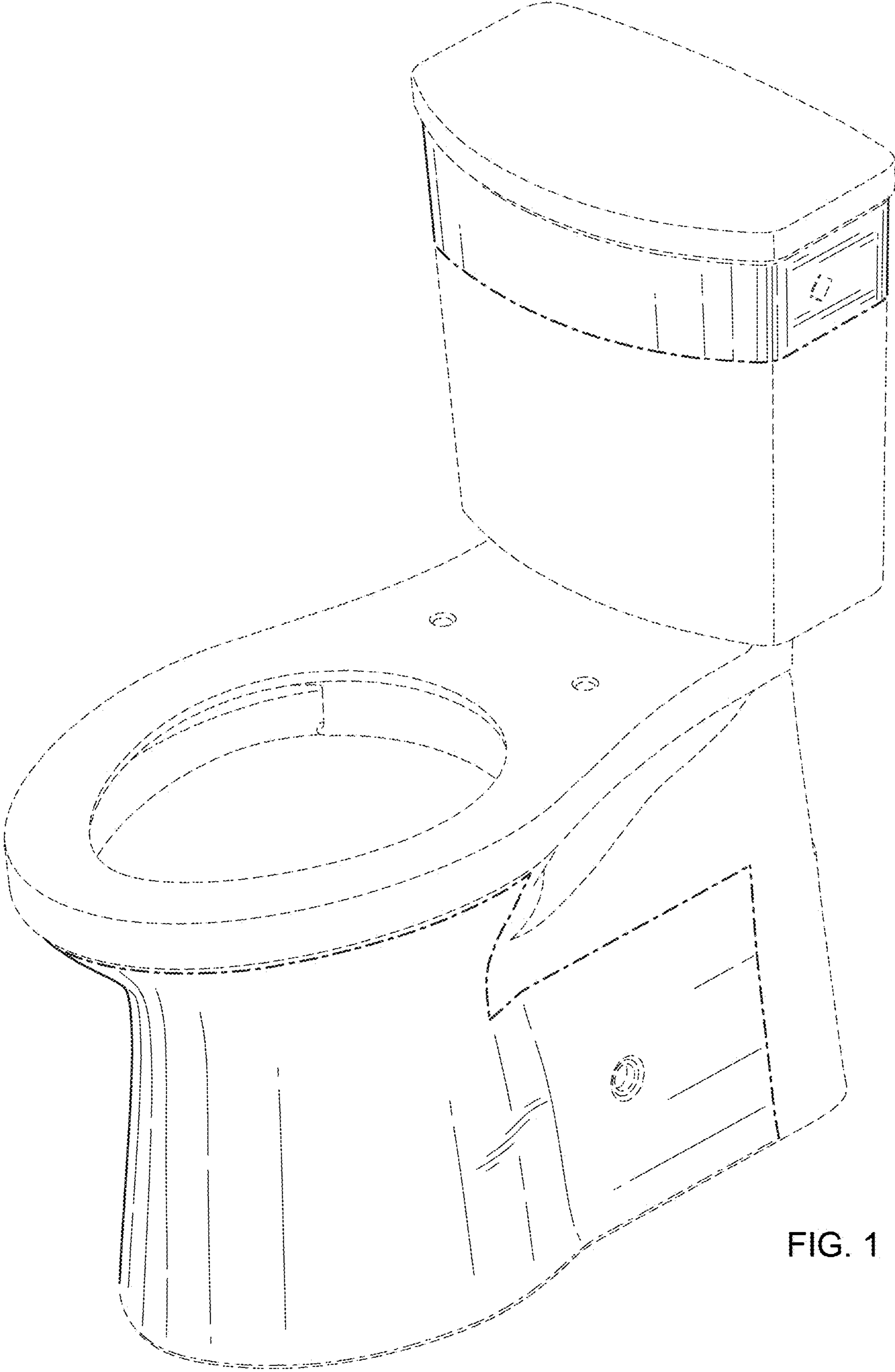


FIG. 1

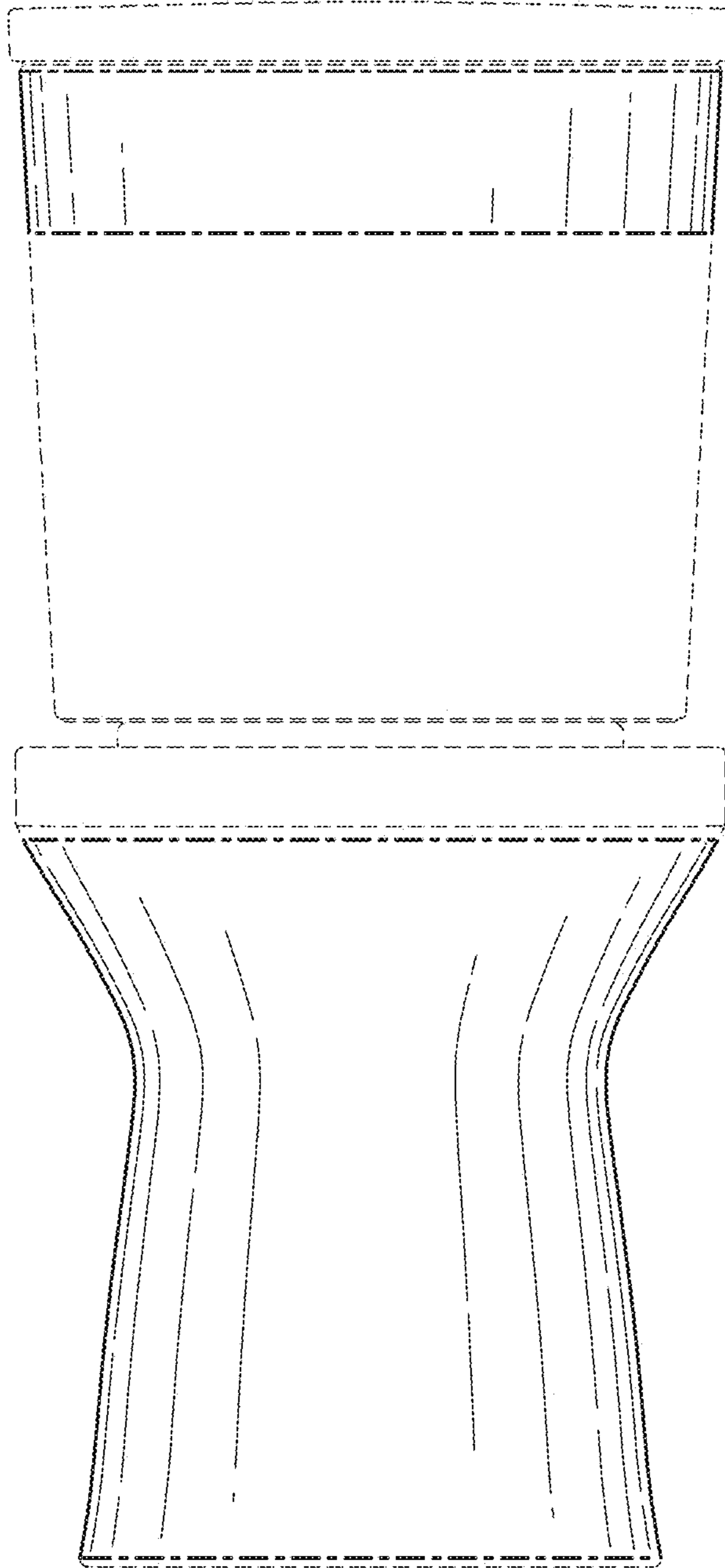


FIG. 2

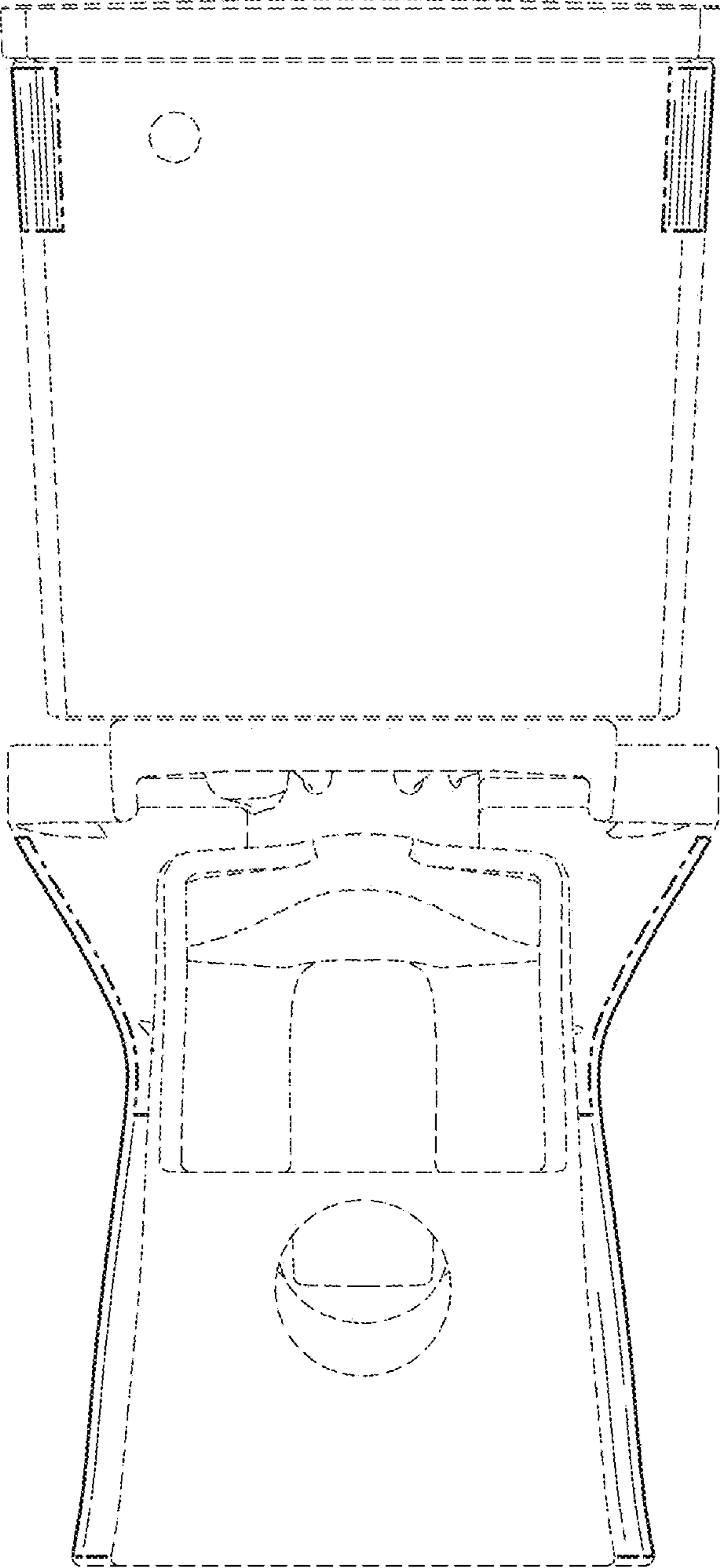


FIG. 3

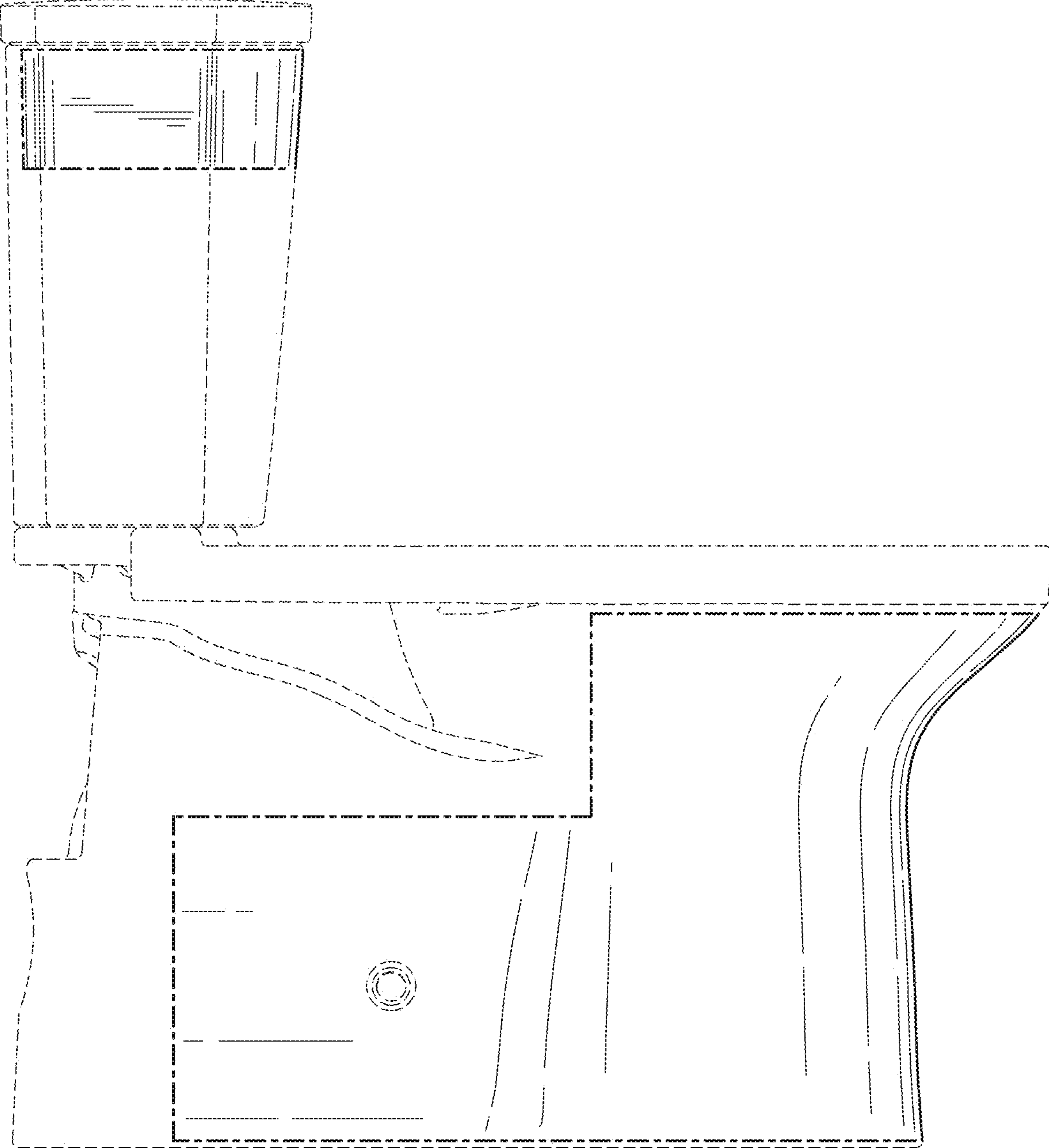


FIG. 4

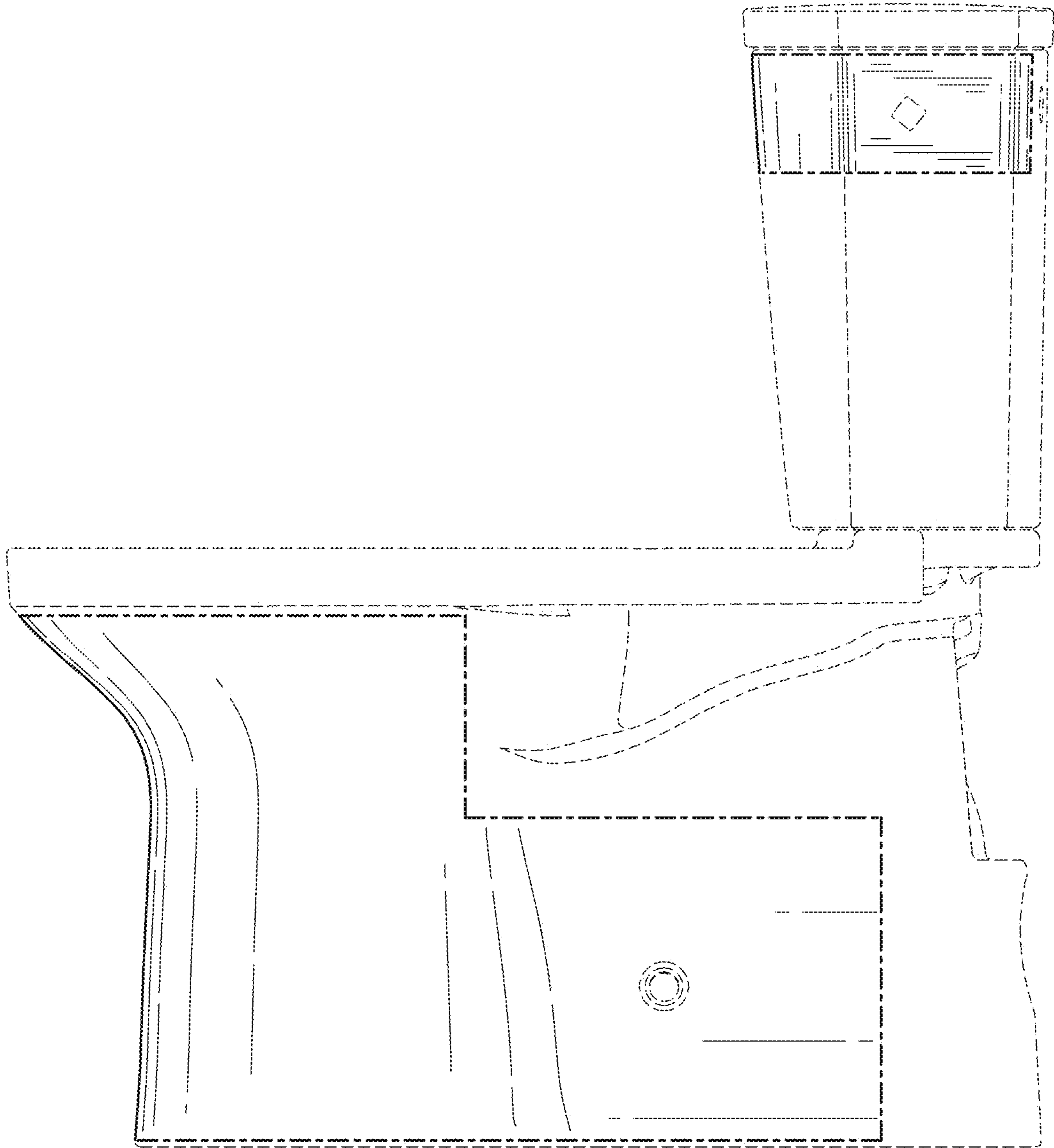


FIG. 5

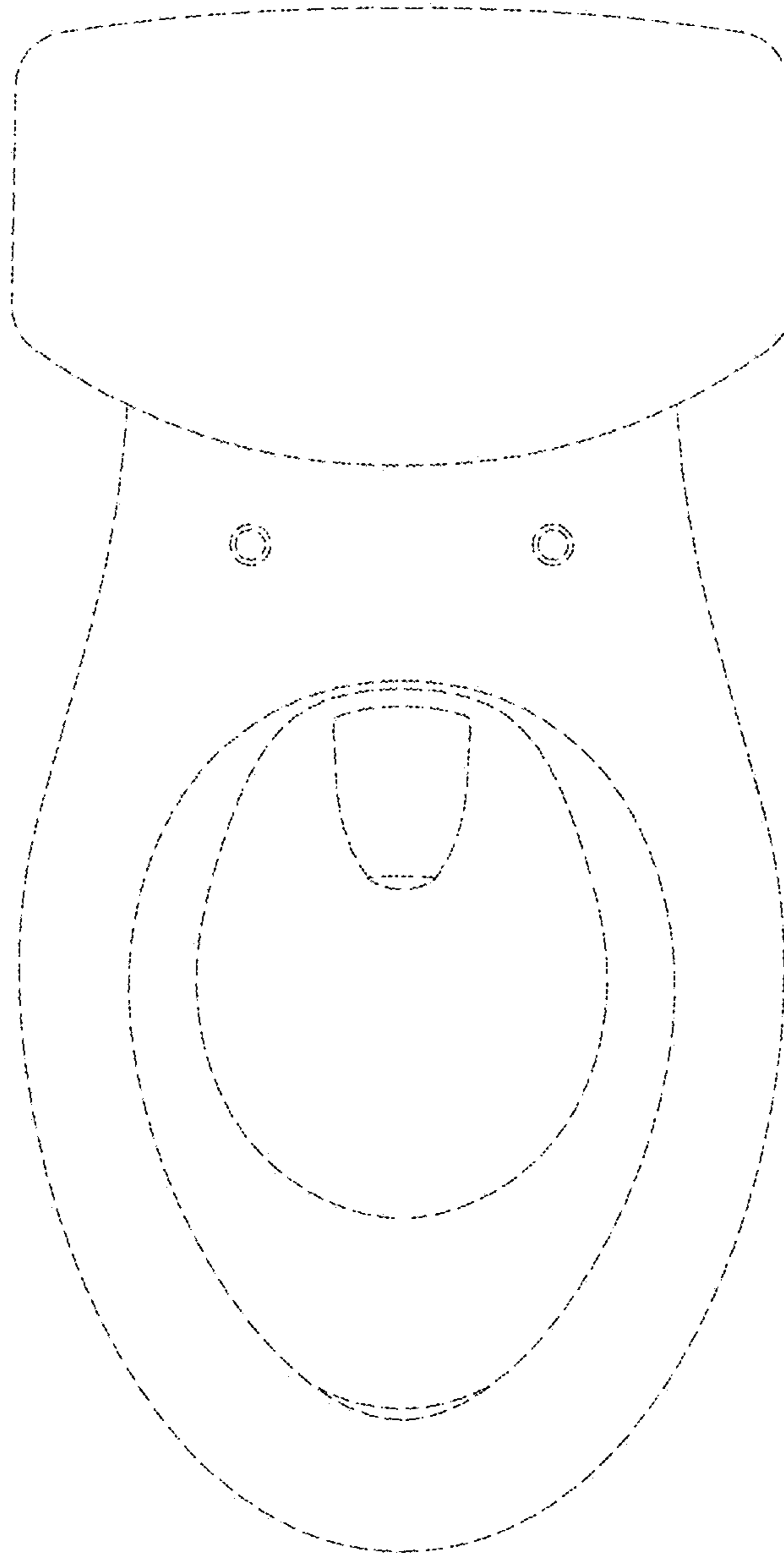


FIG. 6

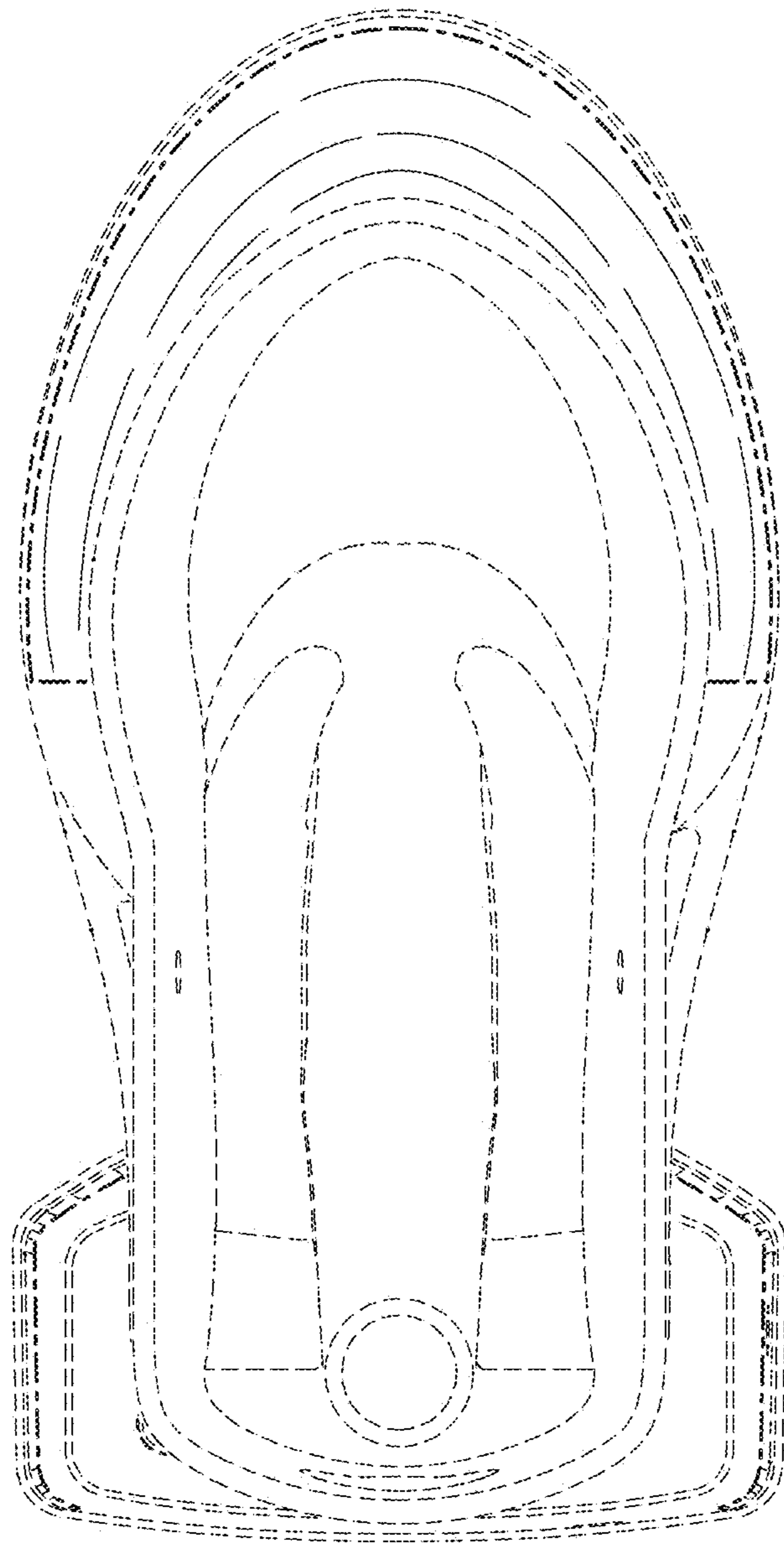


FIG. 7